

[54] PEDESTAL SINK

[75] Inventor: John P. Ronvik, Palos Heights, Ill.

[73] Assignee: Sears, Roebuck & Co., Chicago, Ill.

[\*\*] Term: 14 Years

[21] Appl. No.: 557,717

[22] Filed: Dec. 2, 1983

[52] U.S. Cl. .... D23/61

[58] Field of Search ..... D23/58-64;  
4/619, 631, 637, 643, 8, 646

[56] References Cited

U.S. PATENT DOCUMENTS

- D. 41,842 10/1911 Gavin ..... D23/61
- D. 75,582 6/1928 McFeely ..... D23/61
- D. 76,918 11/1928 Crane ..... D23/61
- D. 82,116 9/1930 Steele ..... D23/61
- D. 88,713 12/1932 Kohler et al. .... D23/61

- D. 101,446 10/1936 Dreyfuss et al. .... D23/61
- D. 121,815 8/1940 Keller ..... D23/59
- D. 125,054 2/1941 Lewis ..... D23/61
- 1,891,591 12/1932 Finley ..... 4/646

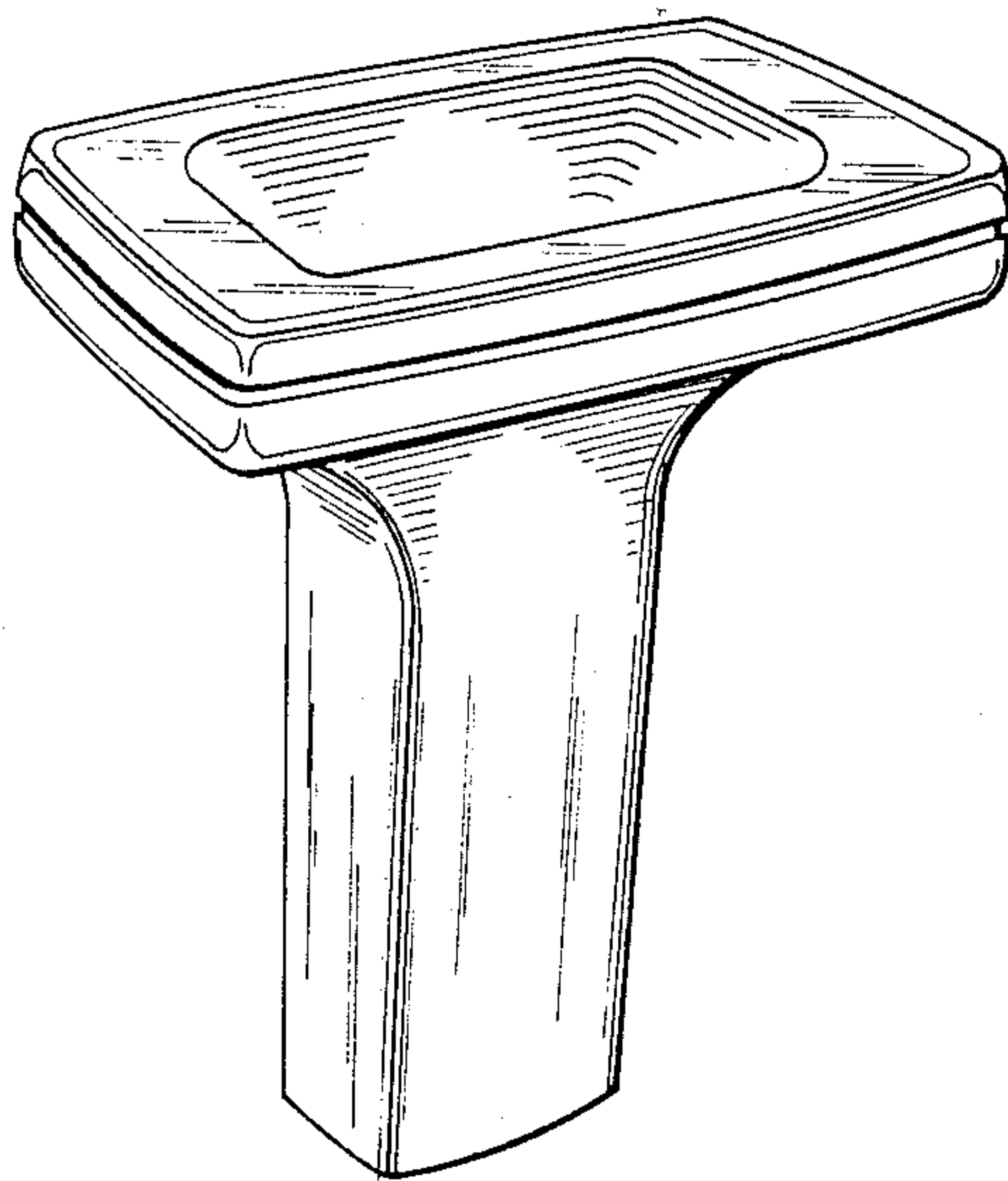
Primary Examiner—James R. Largen  
Attorney, Agent, or Firm—Leitner & Martin

[57] CLAIM

The ornamental design for a pedestal sink, as shown and described.

DESCRIPTION

FIG. 1 is a perspective view of a pedestal sink showing my new design;  
 FIG. 2 is a front elevational view thereof;  
 FIG. 3 is a right side elevational view thereof; the left side being a mirror image of the right side shown;  
 FIG. 4 is a top plan view thereof;  
 FIG. 5 is a rear elevational view thereof;  
 FIG. 6 is a bottom plan view thereof; and  
 FIG. 7 is an exploded perspective view thereof.



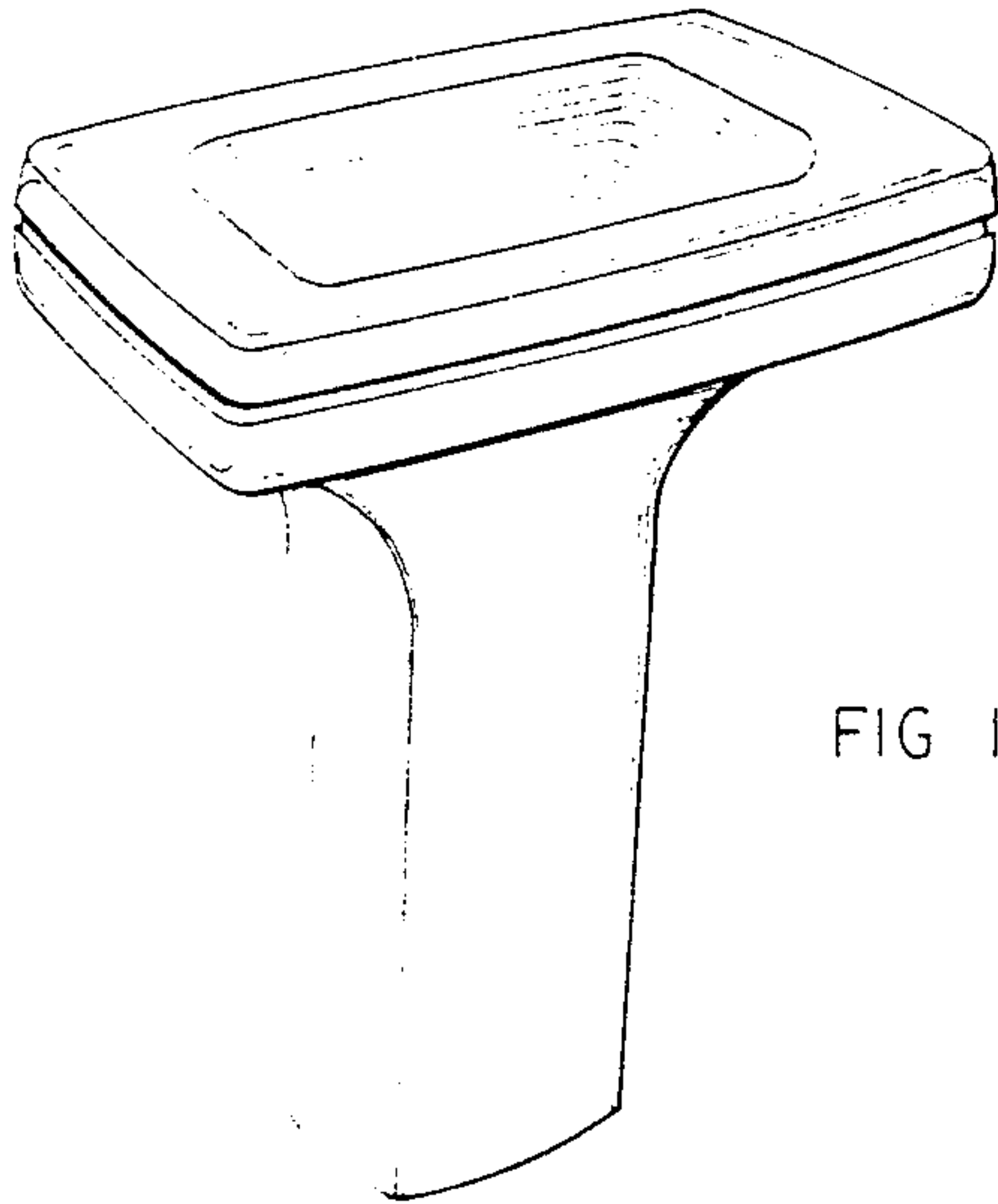


FIG 1

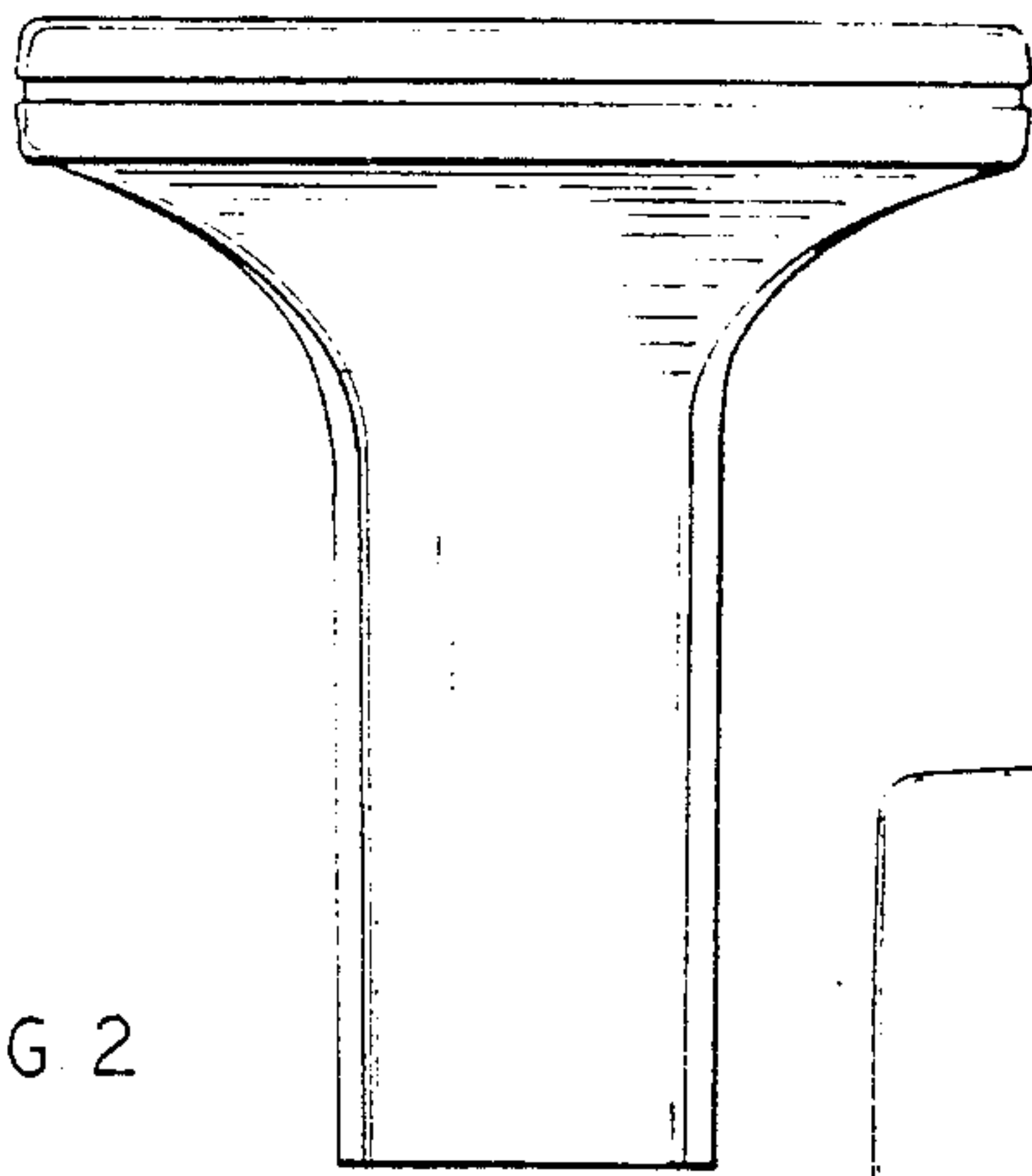


FIG 2

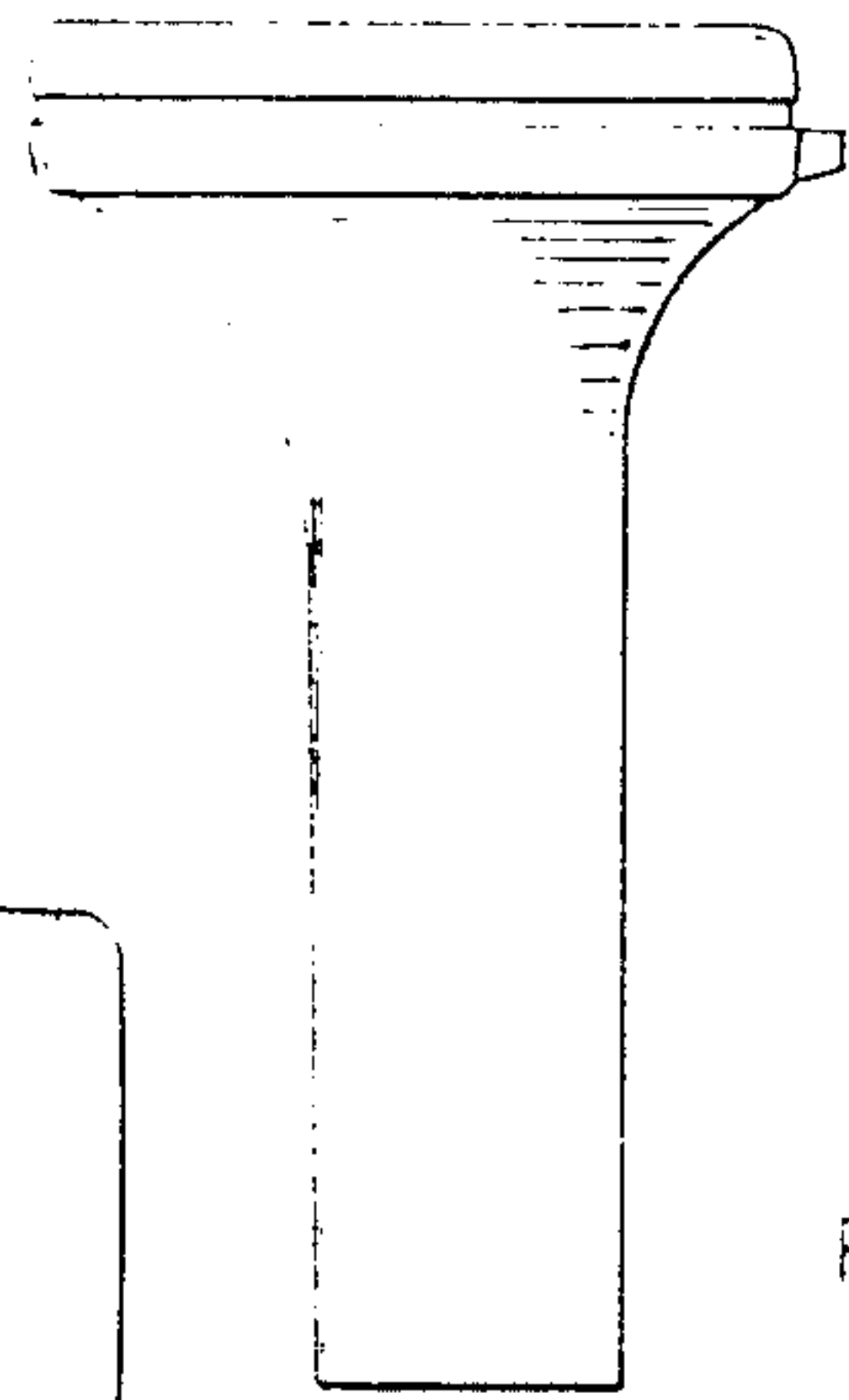


FIG 3

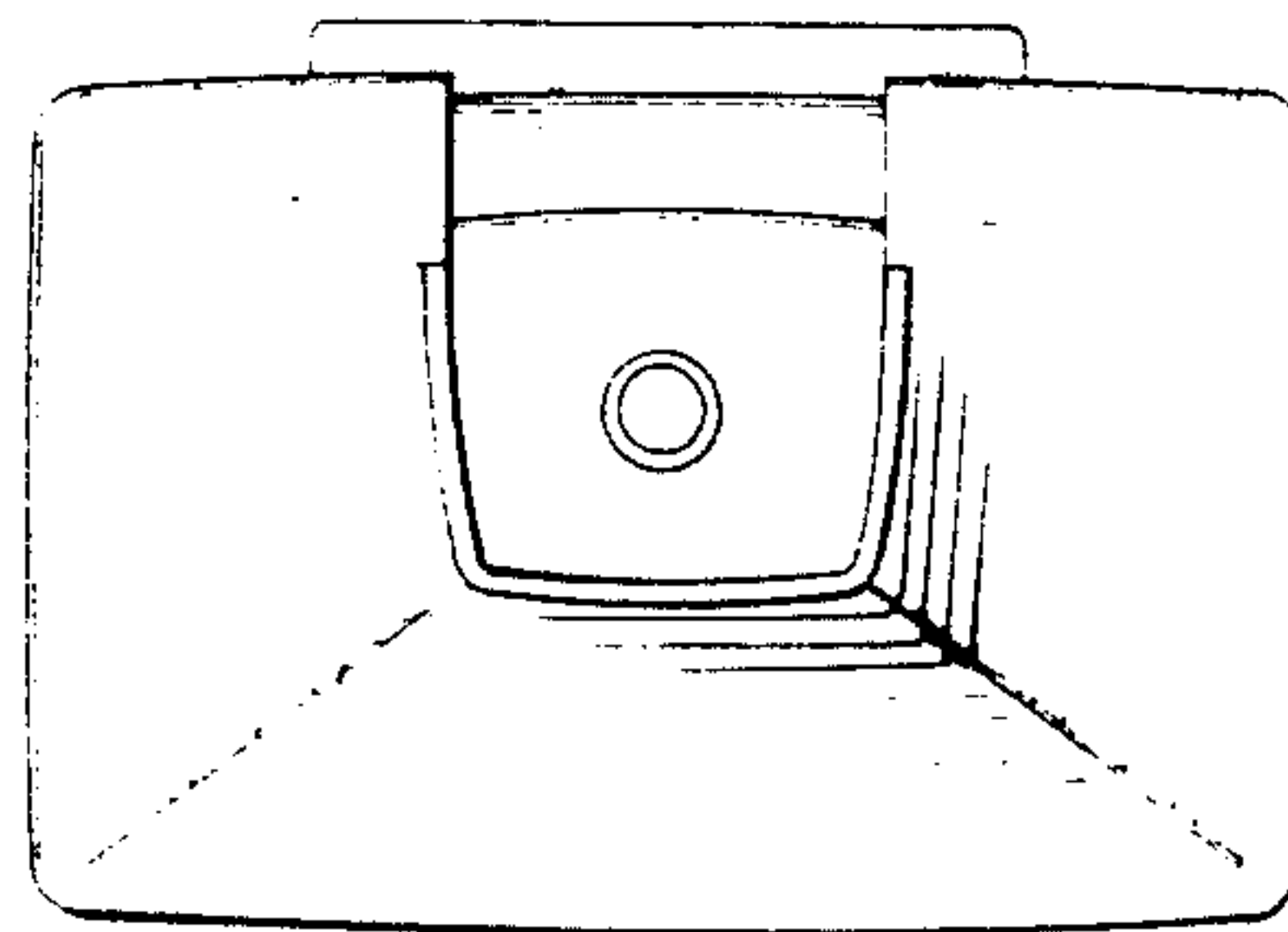


FIG 6

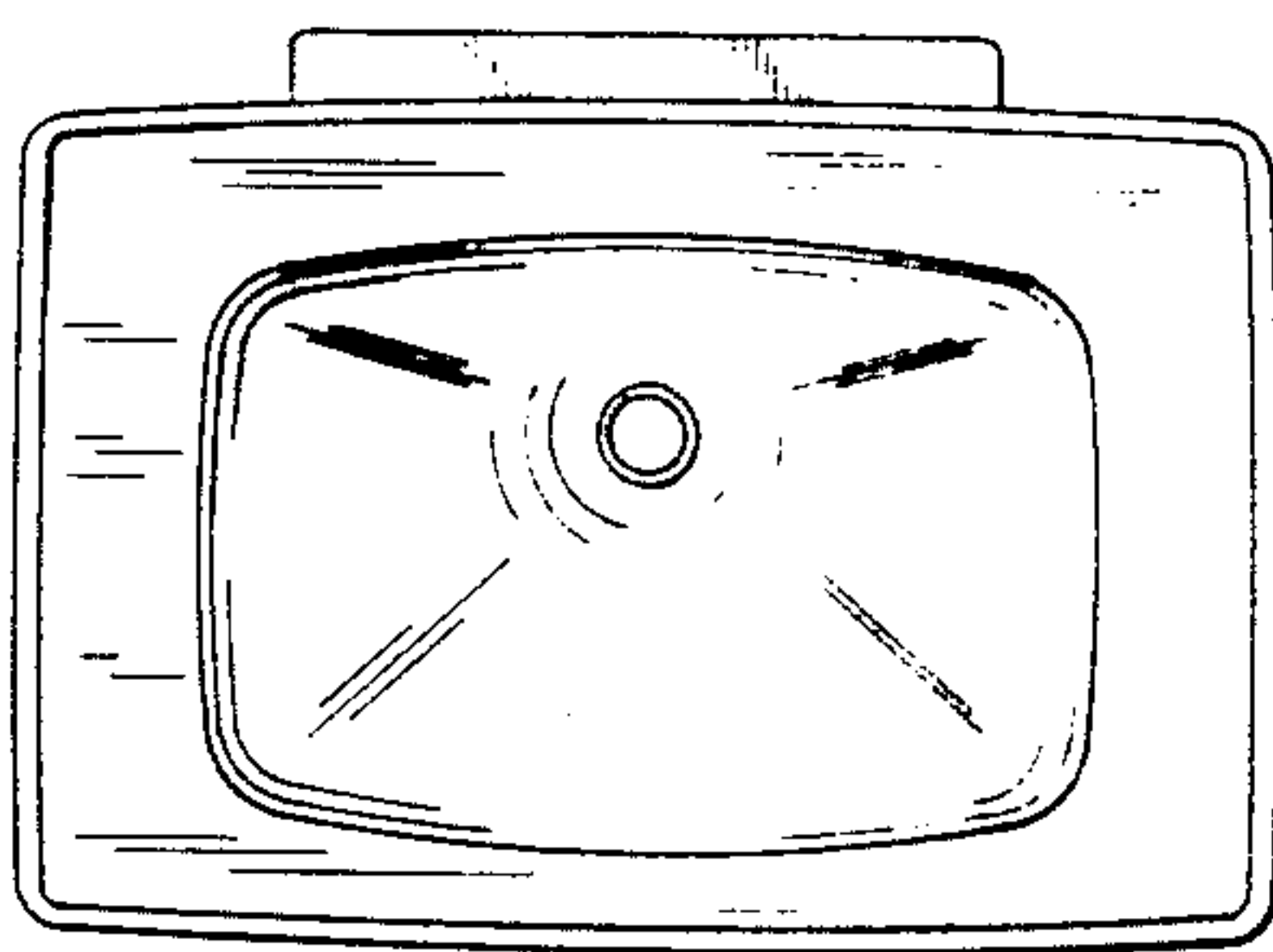


FIG 4

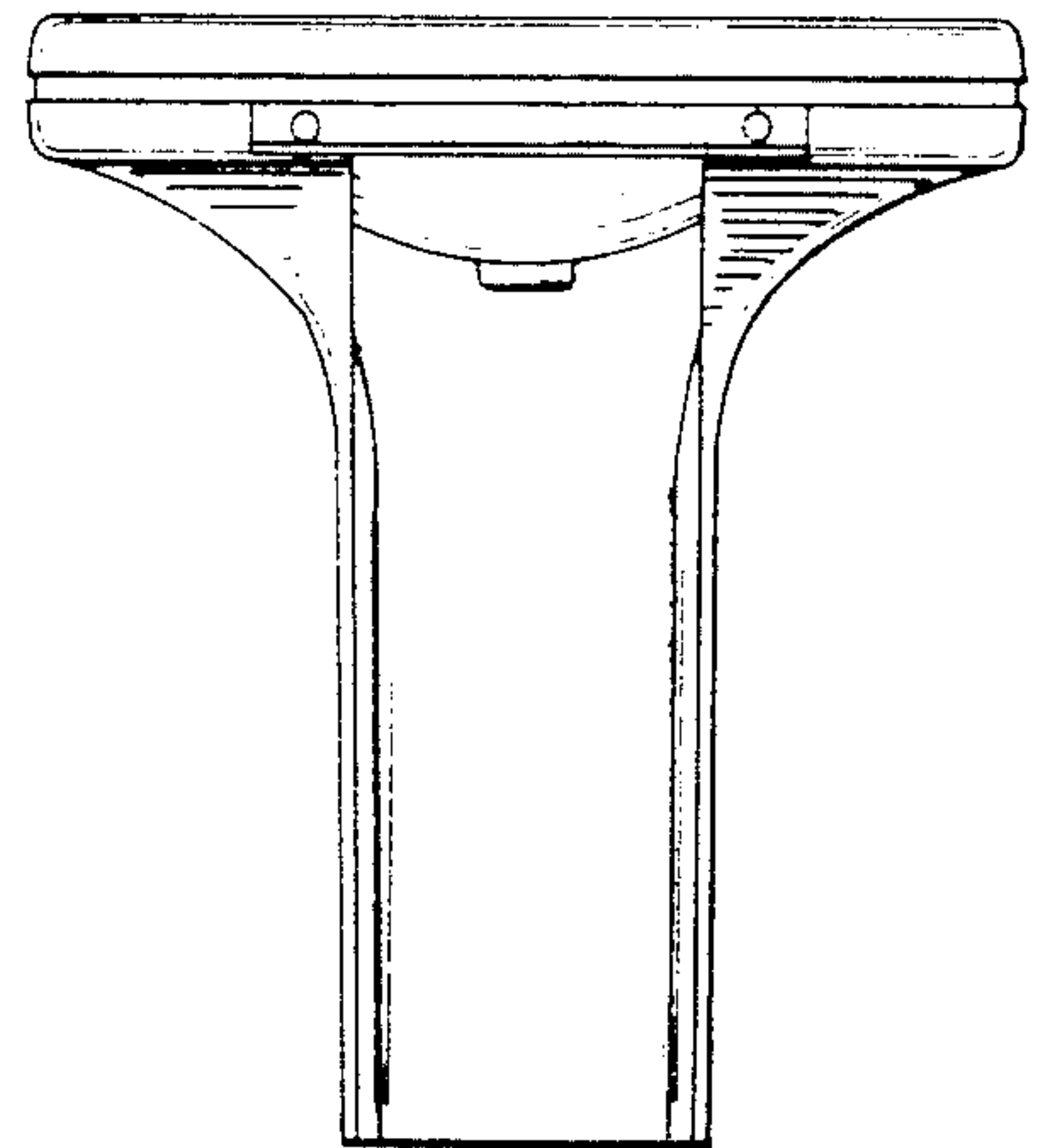


FIG 5

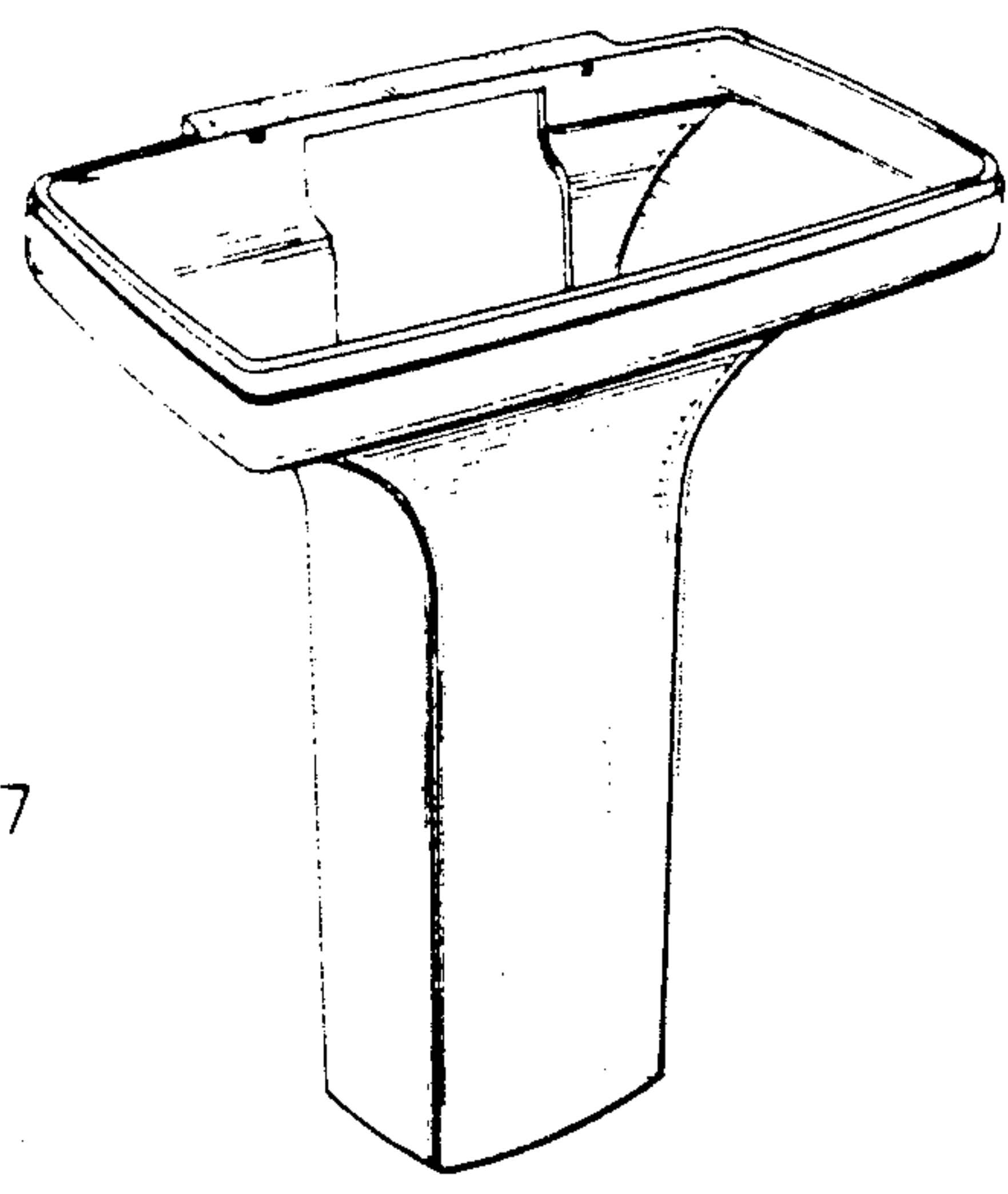
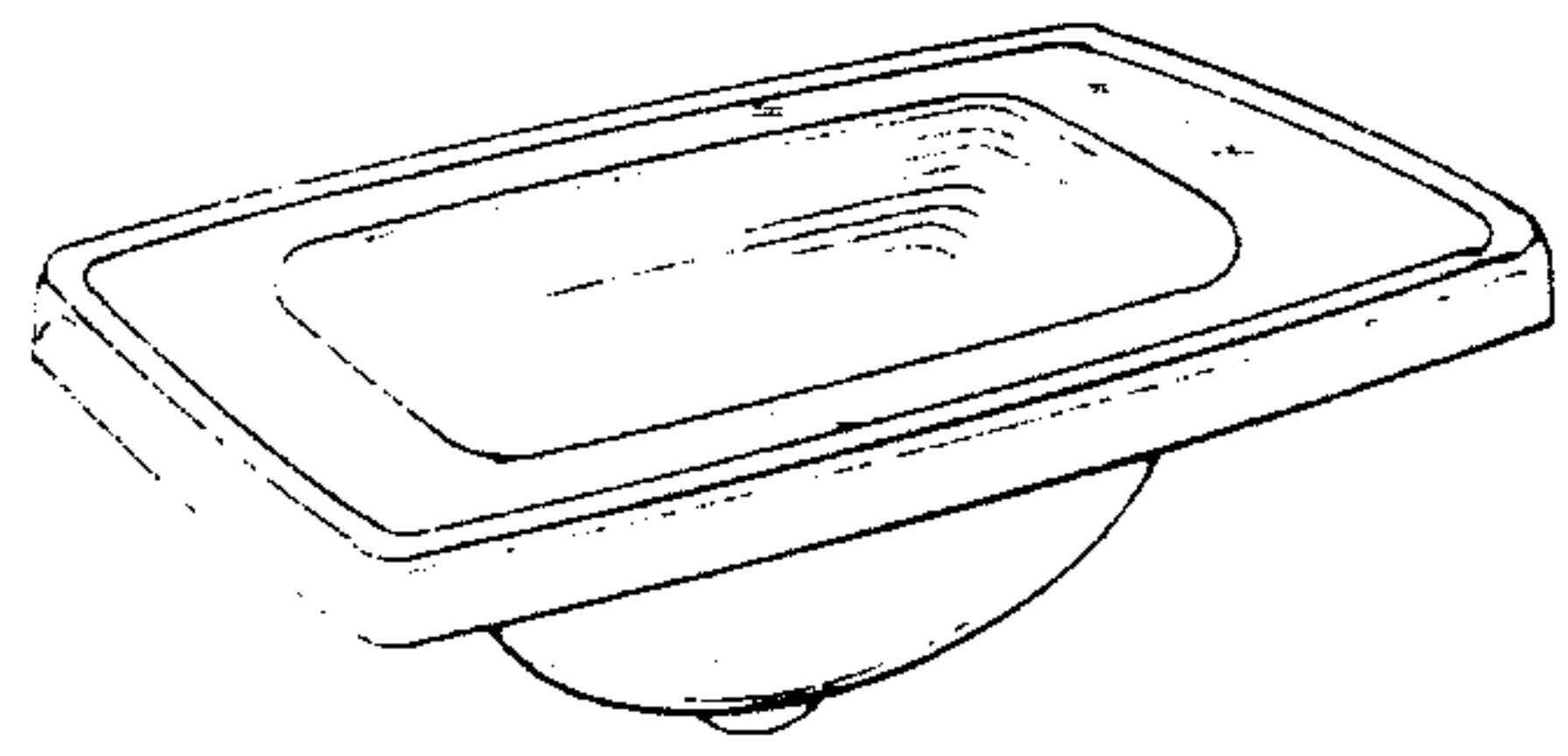


FIG. 7