

[54] **SPACESHIP TOY BALLOON**

[76] **Inventor: Fritz Jensen, Nordbovej 20 C, DK-9800 Hjørring, Denmark**

[**] **Term: 14 Years**

[21] **Appl. No.: 579,518**

[22] **Filed: Feb. 13, 1984**

[52] **U.S. Cl. D21/84; D21/87**

[58] **Field of Search D21/84, 87; 446/220, 446/221, 222, 224, 225**

D. 273,406 4/1984 Young D21/87

FOREIGN PATENT DOCUMENTS

993495 10/1951 France 446/225

Primary Examiner—Charles A. Rademaker
Attorney, Agent, or Firm—Edward F. Levy

[57] **CLAIM**

The ornamental design for a spaceship toy balloon, substantially as shown and described.

DESCRIPTION

FIG. 1 is a side elevational view of a spaceship toy balloon showing my new design, the opposite side being of identical design;

FIG. 2 is a top plan view thereof;

FIG. 3 is a bottom plan view thereof;

FIG. 4 is a front elevational view thereof; and

FIG. 5 is a rear elevational view thereof.

[56] **References Cited**
U.S. PATENT DOCUMENTS

- D. 200,913 4/1965 Wolfe D21/84
- D. 223,716 5/1972 Choong D21/84
- D. 226,389 2/1973 Madonia D21/84
- D. 261,286 10/1981 Breneman D21/87

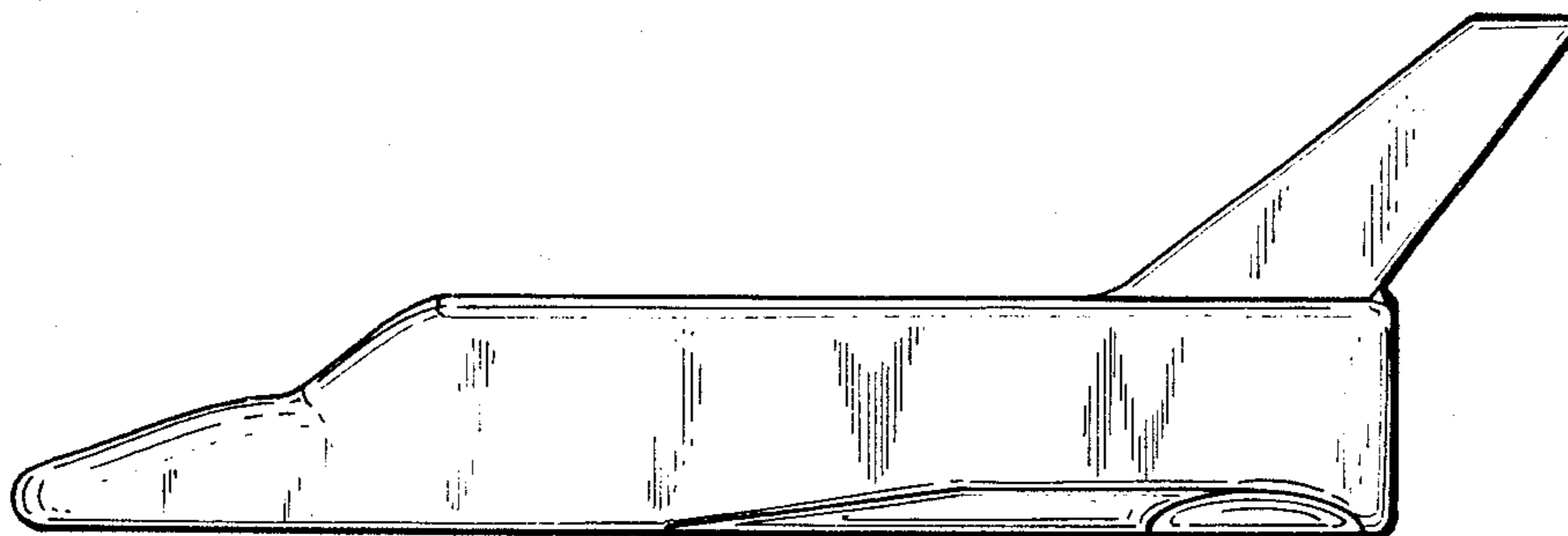


FIG. 1

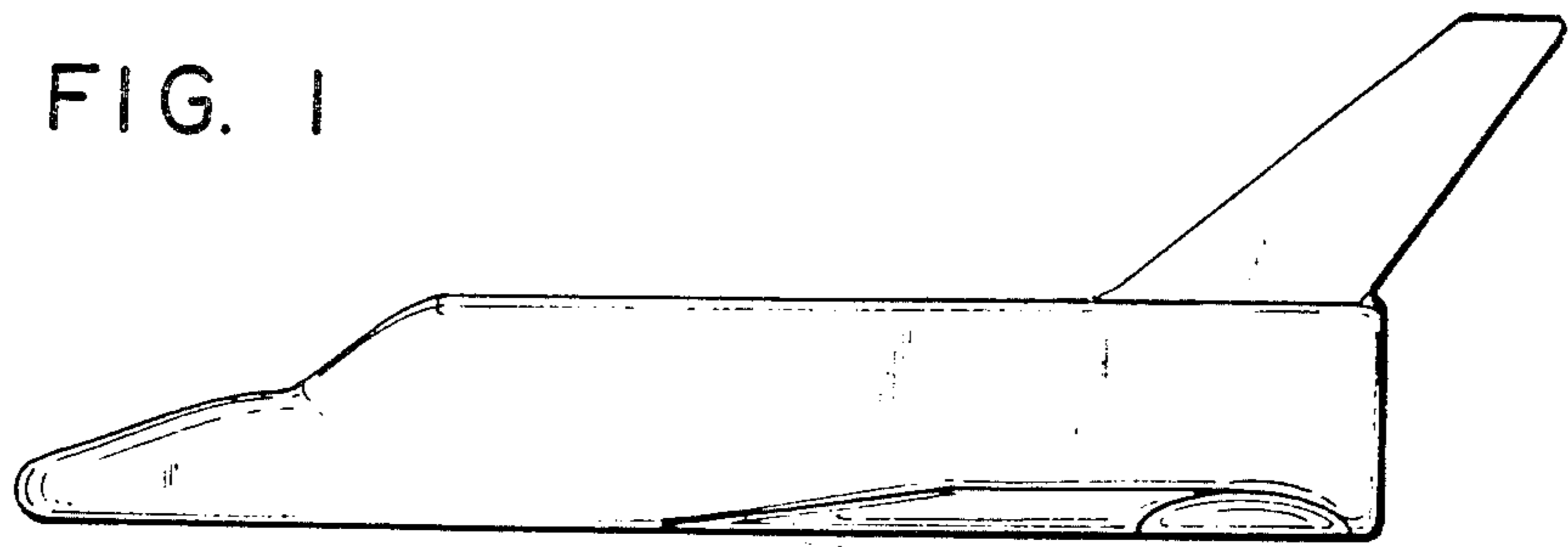


FIG. 2

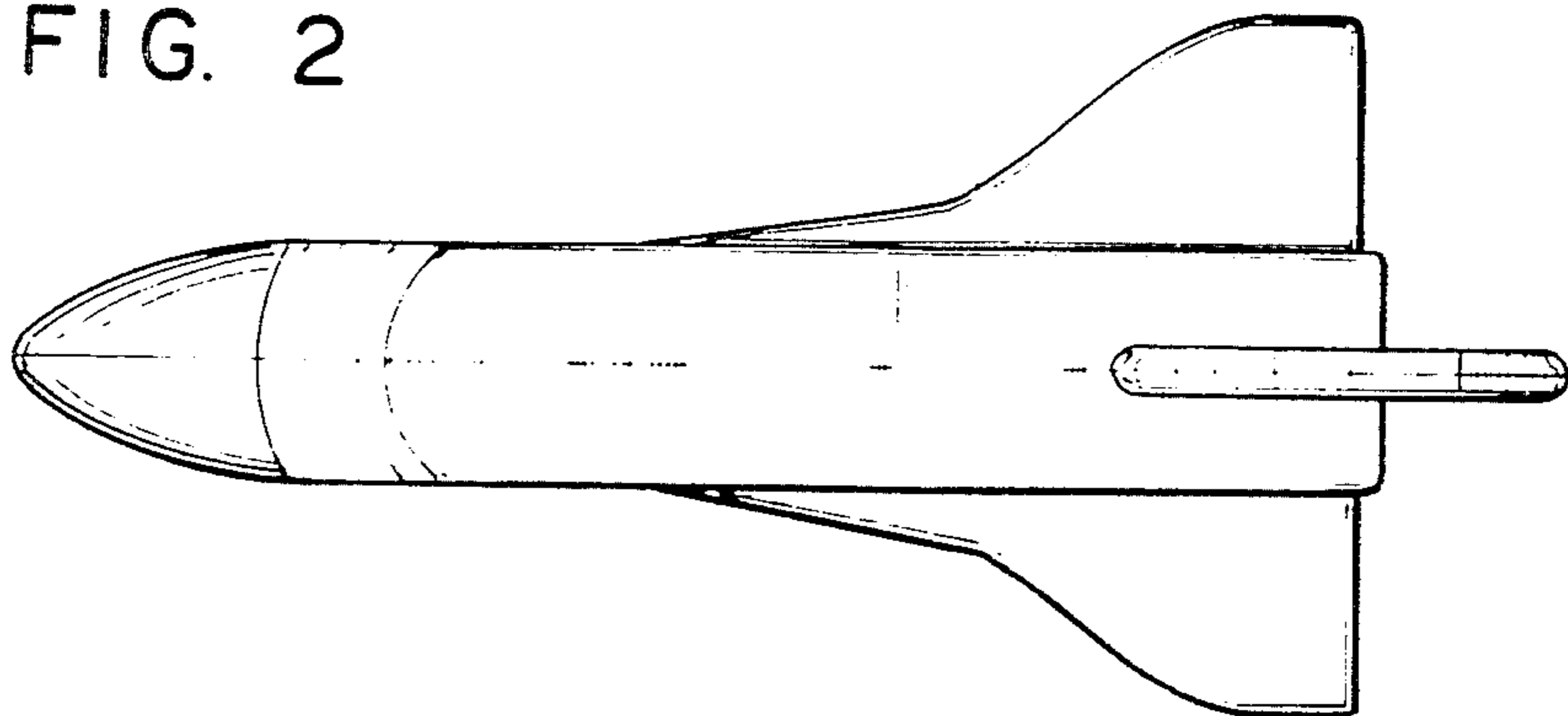


FIG. 3

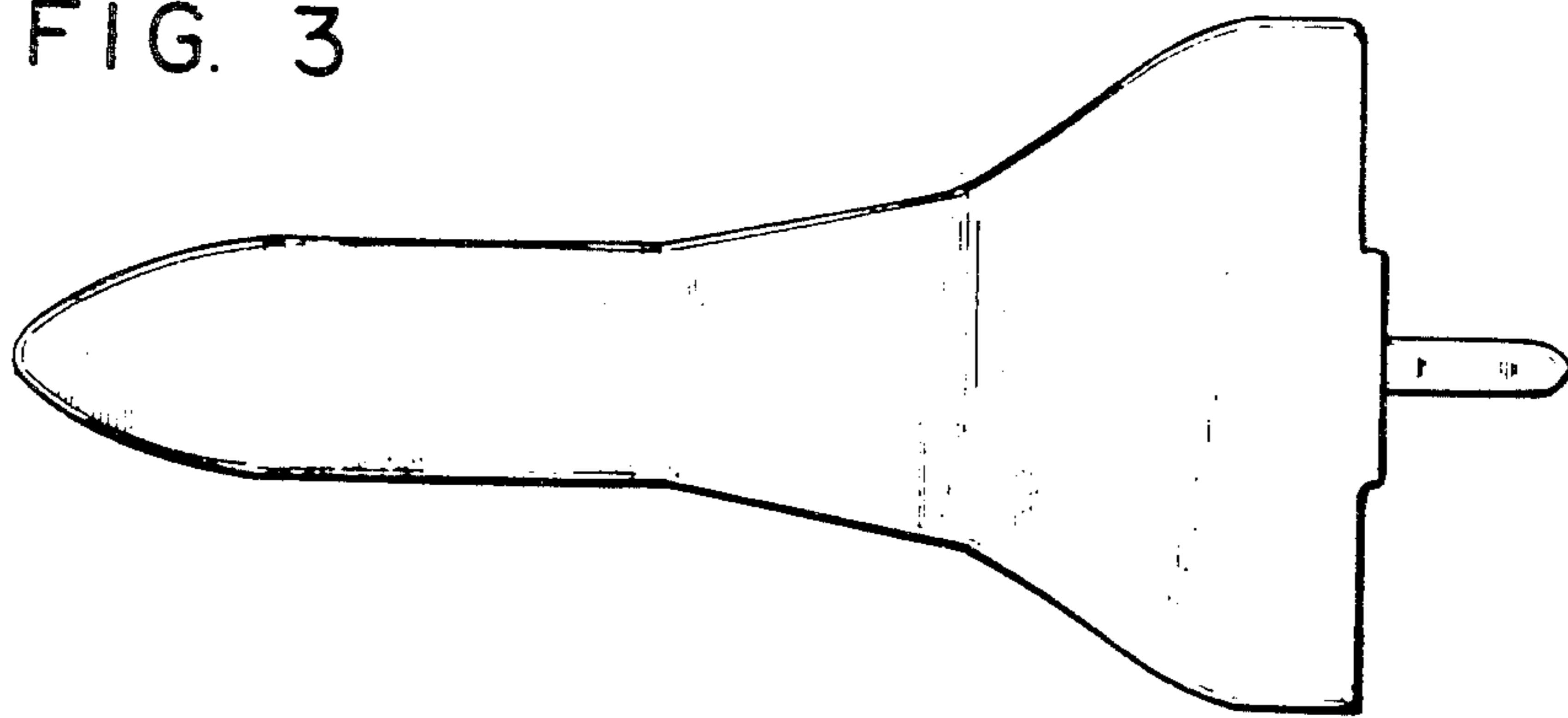


FIG. 4

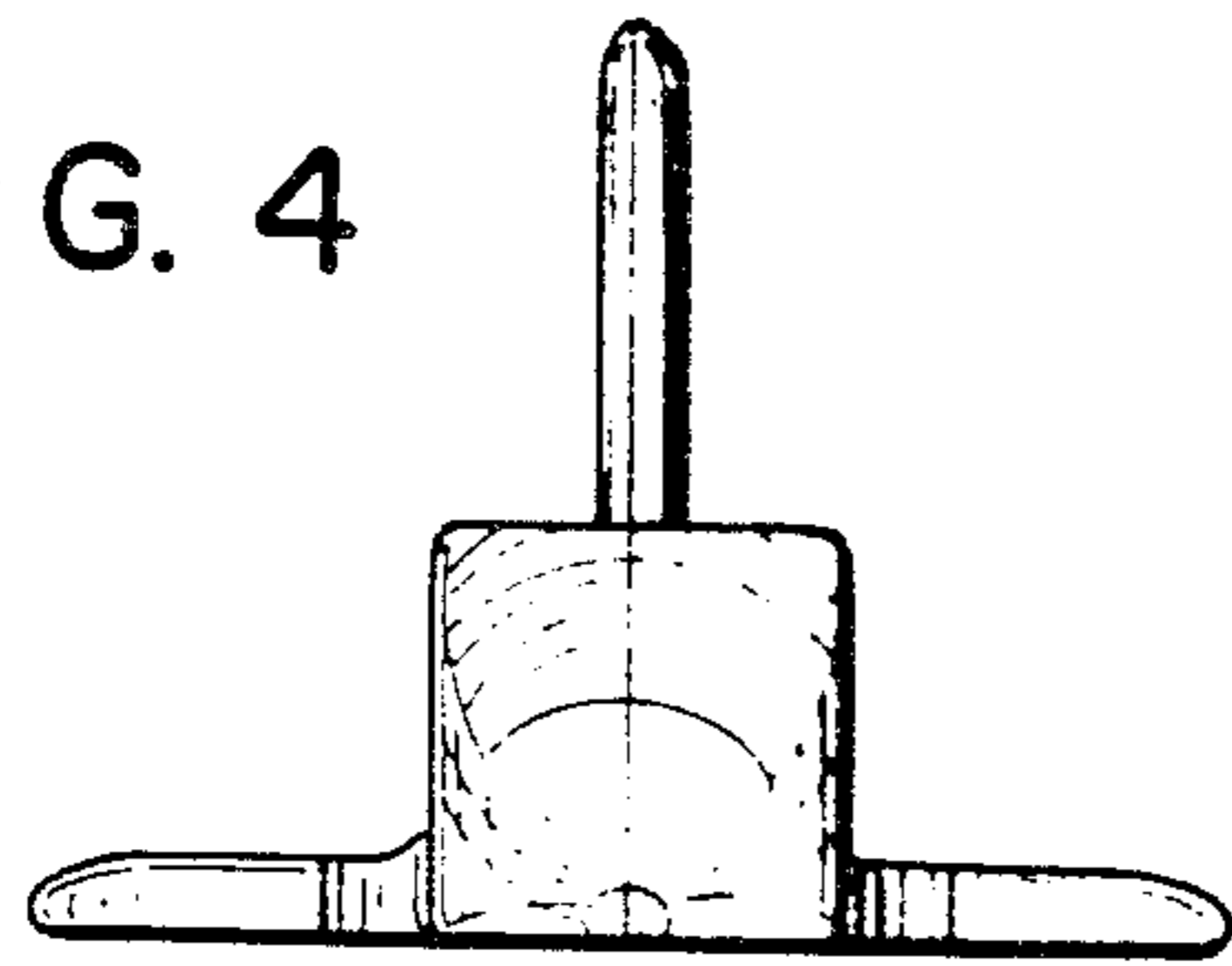


FIG. 5

