

[54] **CLIPBOARD**

[76] **Inventor: Thomas Koves, 645 N. Cherokee Ave., Los Angeles, Calif. 90004**

[**] **Term: 14 Years**

[21] **Appl. No.: 532,750**

[22] **Filed: Sep. 16, 1983**

[52] **U.S. Cl. D19/88; D3/73**

[58] **Field of Search D19/86-88; 281/15 B, 45; 24/67 R; D3/73**

[56] **References Cited**

U.S. PATENT DOCUMENTS

- D. 199,241 9/1964 Patterson D19/88
- D. 226,040 .1/1973 Beerli, Jr. D19/88

D. 262,381 12/1981 Greenlees D19/88

OTHER PUBLICATIONS

Dennison Cat. 1976, p. B 40, Item No. 99-807.

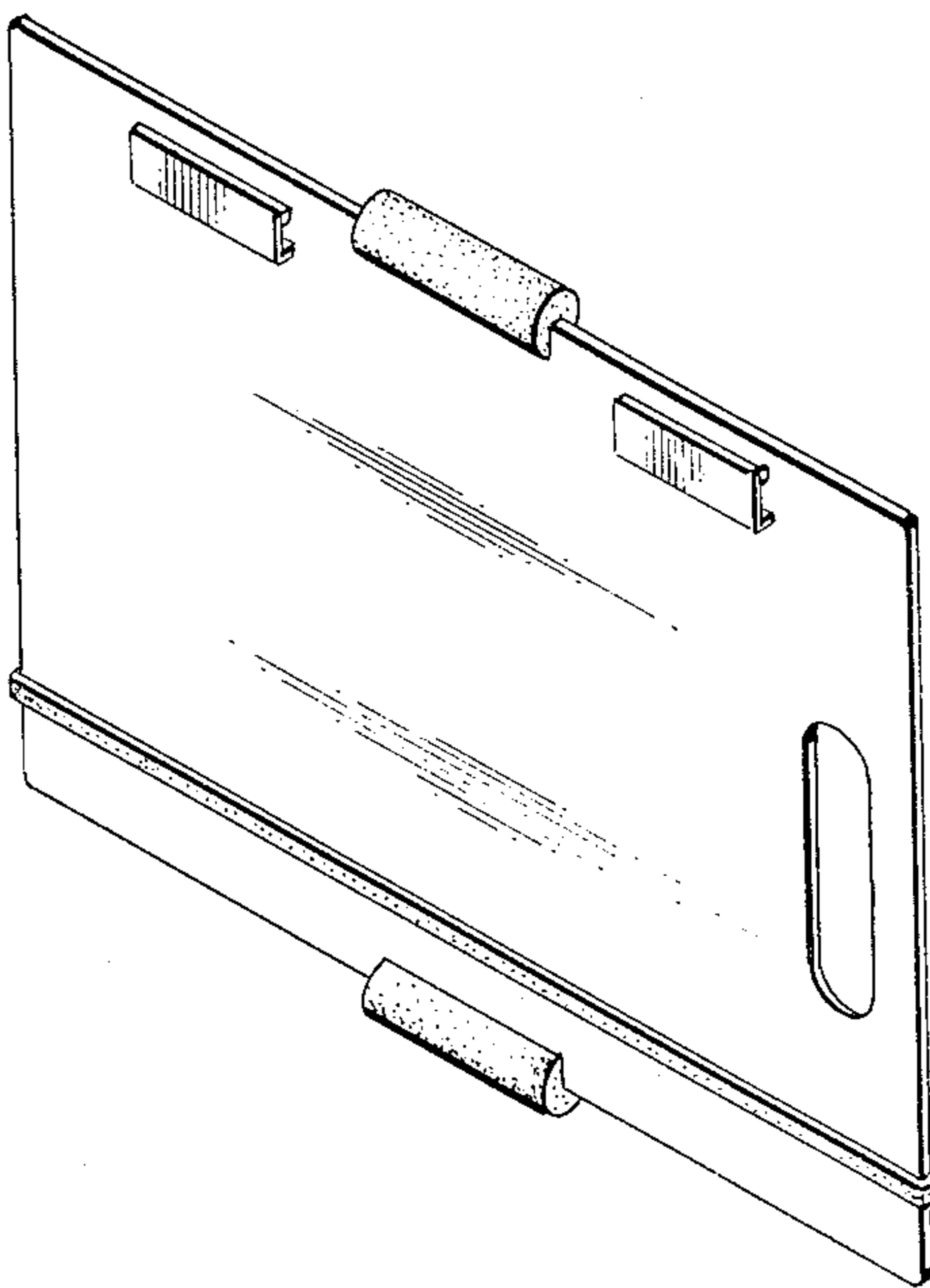
Primary Examiner—George P. Word
Attorney, Agent, or Firm—Allan M. Shapiro

[57] **CLAIM**

The ornamental design for a clipboard, substantially as shown.

DESCRIPTION

FIG. 1 is a perspective view of a clipboard, showing my new design;
FIG. 2 is a front elevational view thereof;
FIG. 3 is an end elevational view thereof; and
FIG. 4 is a rear elevational view thereof.



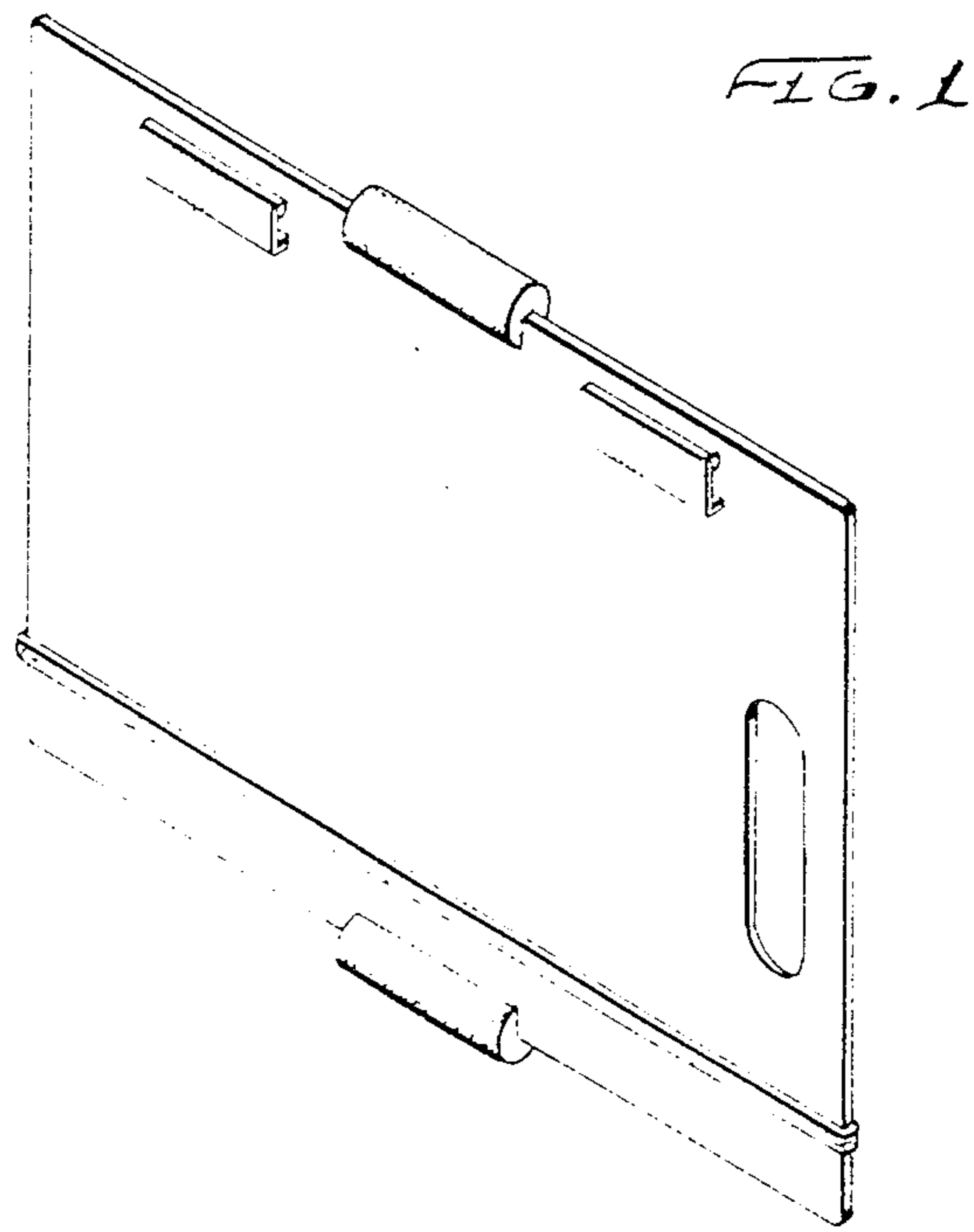


FIG. 2

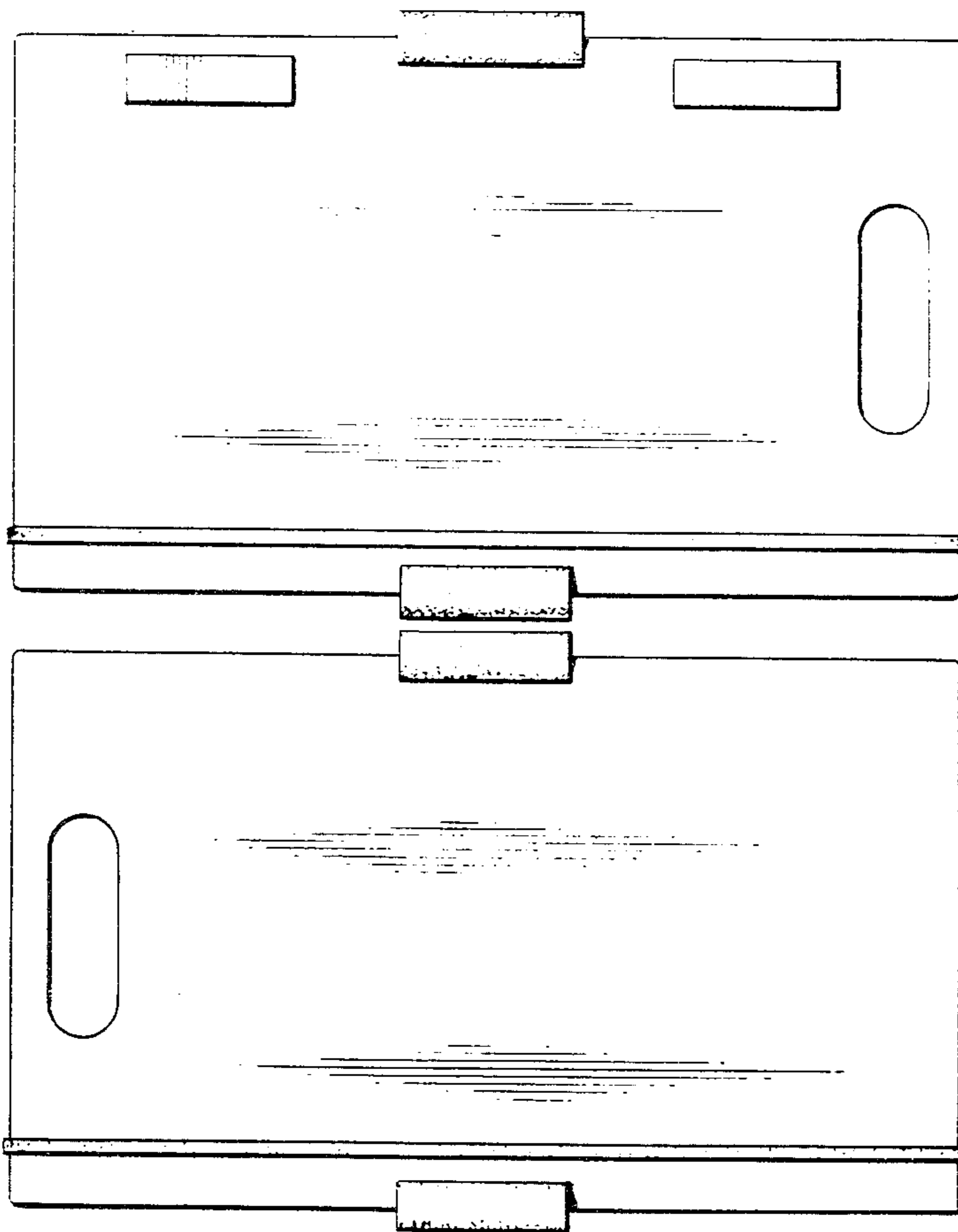


FIG. 3



FIG. 4