

[54] PROTECTIVE CASE FOR A CALCULATOR OR THE LIKE

[75] Inventor: Christopher J. Hamar, Leeds, England

[73] Assignee: Zengrange Limited, Leeds, England

[**] Term: 14 Years

[21] Appl. No.: 516,877

[22] Filed: Jul. 25, 1983

[30] Foreign Application Priority Data

Jan. 25, 1983 [GB] United Kingdom 1 011 045

[52] U.S. Cl. D18/11; D3/30.1

[58] Field of Search D3/30.1, 33-36, D3/72-74, 76; 206/387, 328, 332-334, 445, 305, 521; D18/2, 11, 6, 7

[56] References Cited

U.S. PATENT DOCUMENTS

- D. 236,488 8/1975 Fossella D18/11
- D. 245,455 8/1977 Cathey D3/30.1

- D. 275,822 10/1984 Catland et al. D3/30
- 4,071,065 1/1978 Halbich 206/3
- 4,259,568 3/1981 Dynesen 206/3
- 4,322,835 3/1982 Ernst et al. 206/3
- 4,424,899 1/1984 Rosenberg 206/3
- 4,458,813 7/1984 Tushinsky et al. 206/5

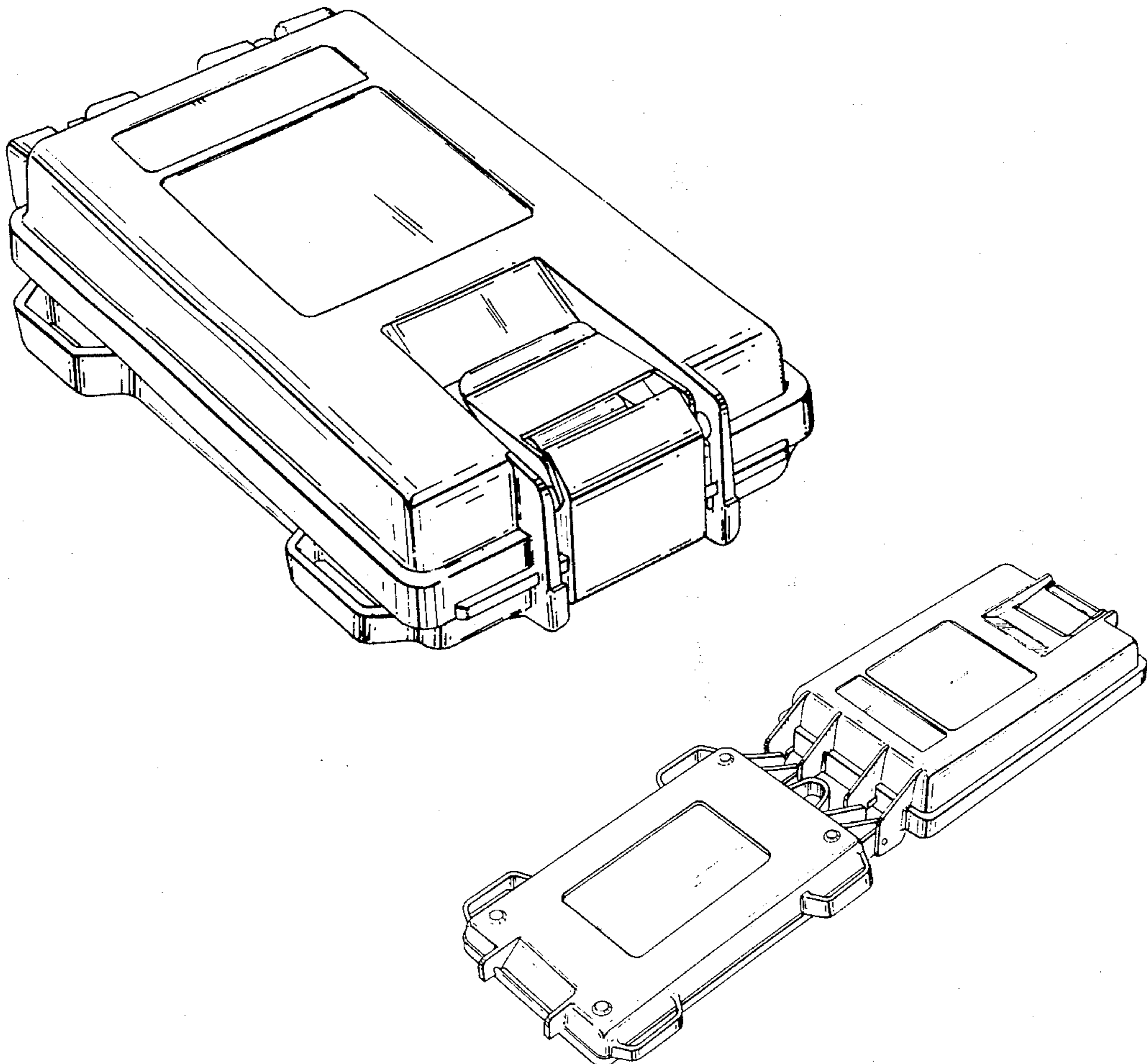
Primary Examiner—George P. Word
Attorney, Agent, or Firm—Murray, Whisenhunt and Ferguson

[57] CLAIM

The ornamental design for a protective case for a calculator or the like, as shown and described.

DESCRIPTION

FIG. 1 is a top perspective view of a protective case for a calculator or the like showing my new design; FIG. 2 is an inverted bottom perspective view thereof with the latch partly open; FIG. 3 is an inverted bottom rear perspective view of FIG. 1; FIG. 4 is a top rear perspective view of FIG. 1; and FIG. 5 is a top perspective view thereof in the open position showing both top and bottom surfaces.



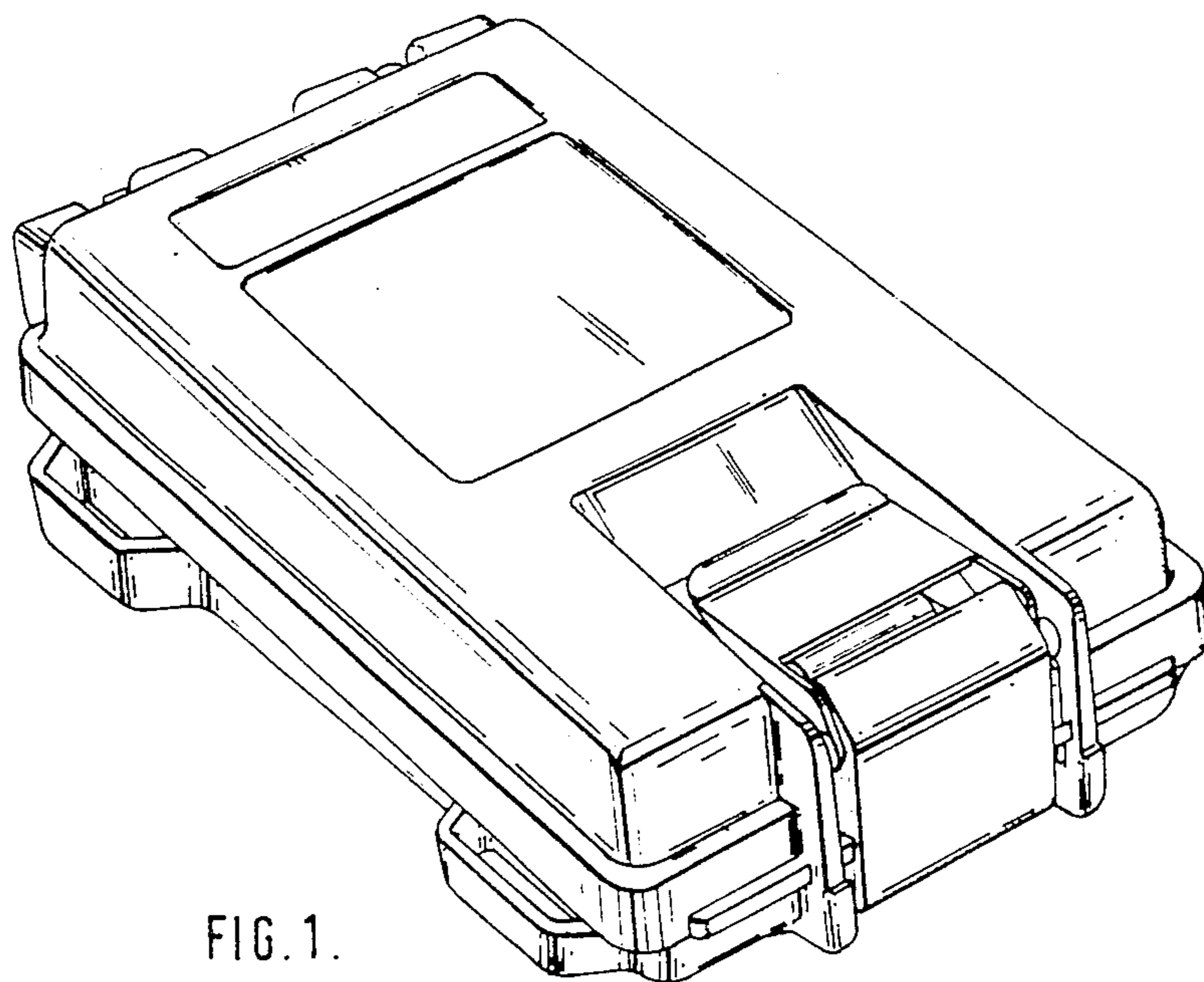


FIG. 1.

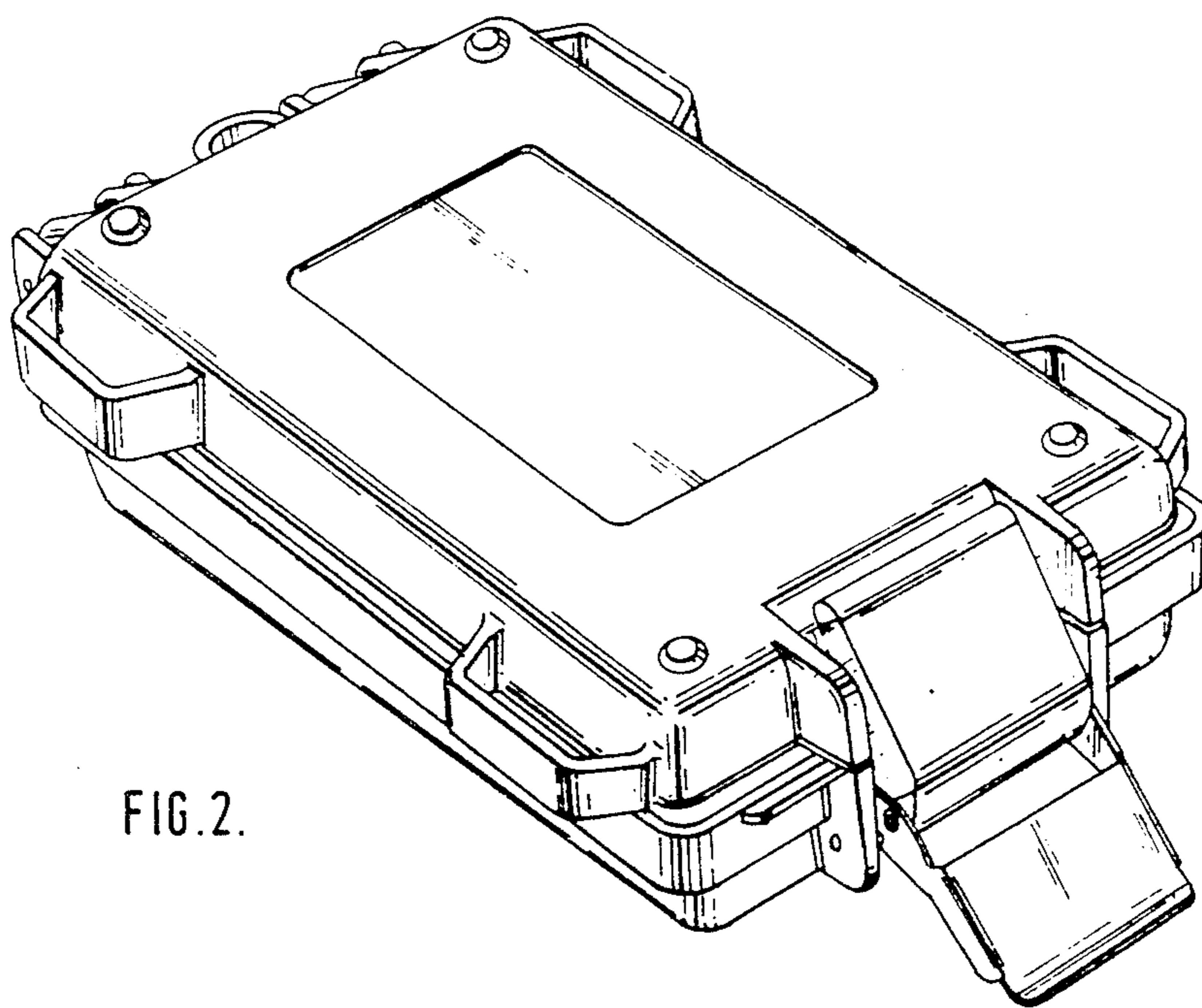
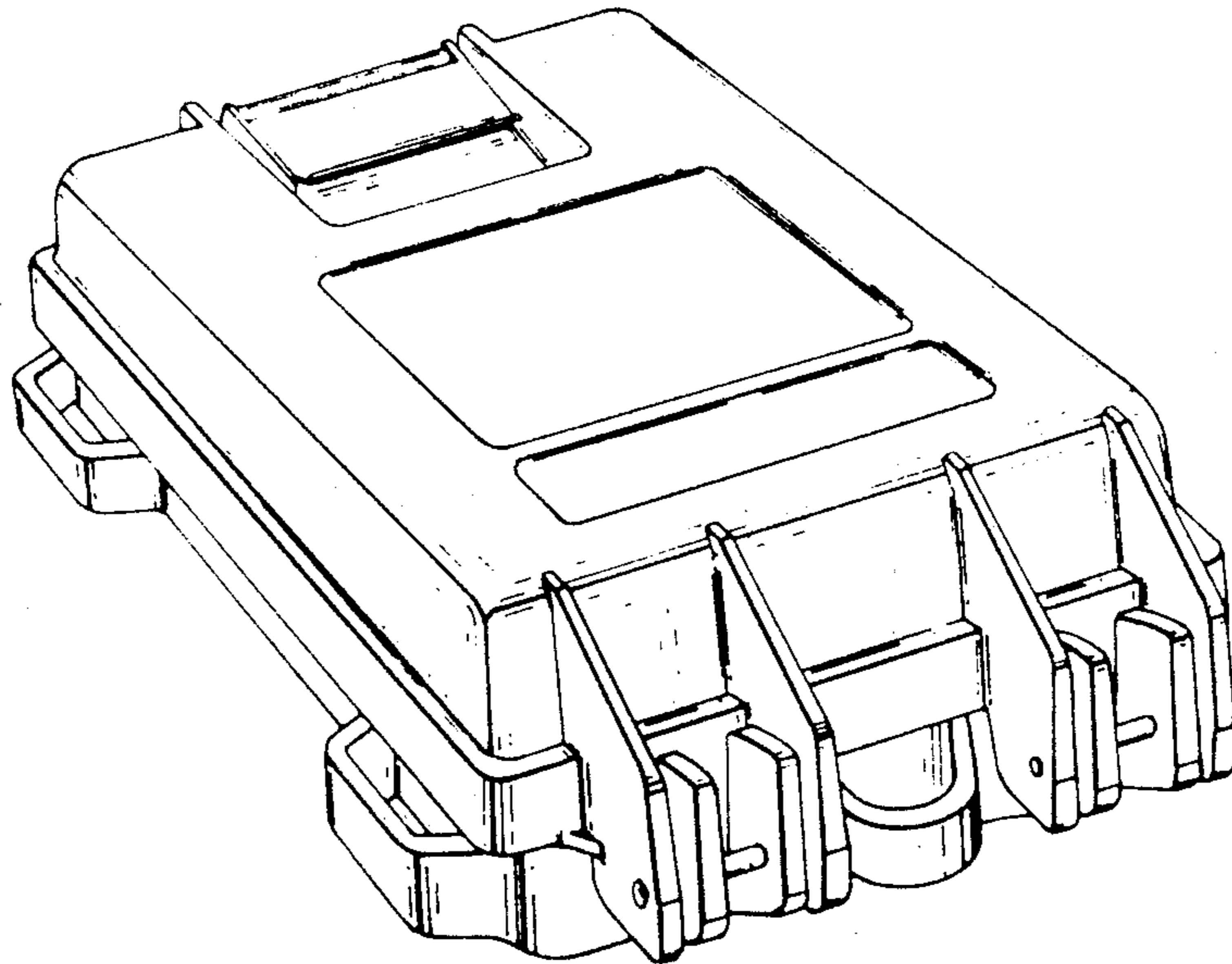
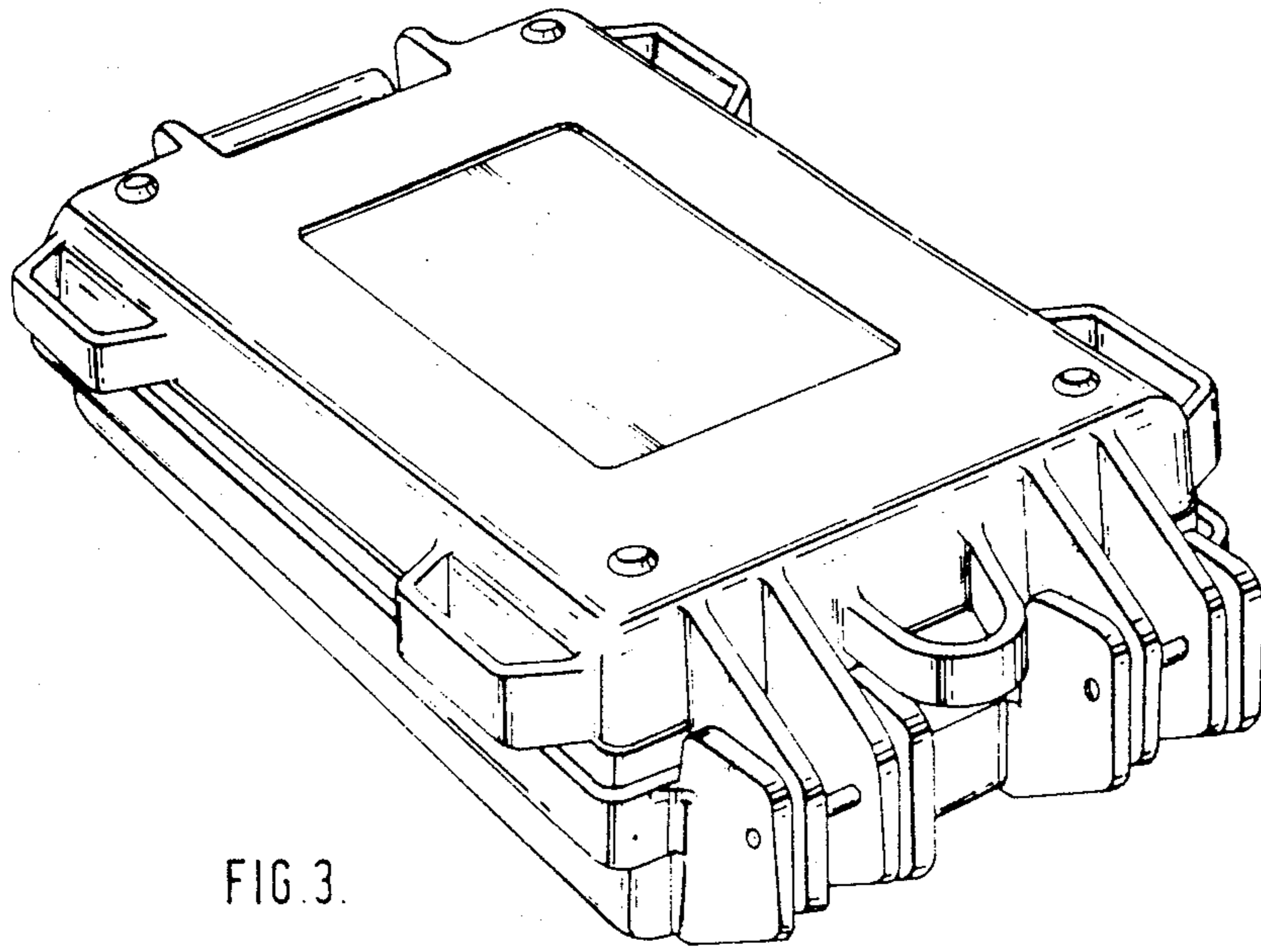


FIG. 2.



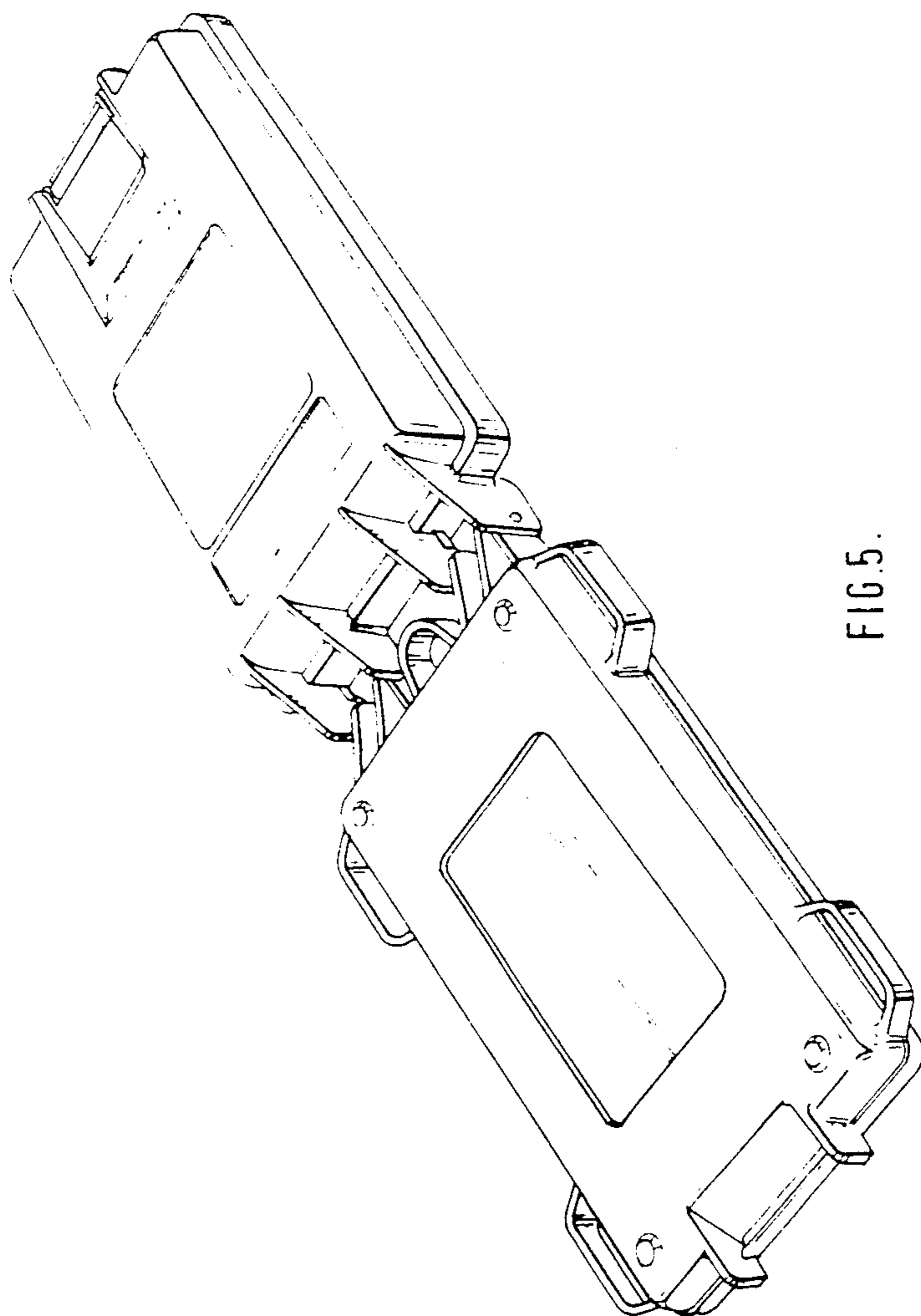


FIG. 5.