

[54] COMBINED CALCULATOR AND PROTECTIVE CASE

[75] Inventor: Christopher J. Hamar, Leeds, England
[73] Assignee: Zengrange Limited, Leeds, England
[**] Term: 14 Years
[21] Appl. No.: 516,896
[22] Filed: Jul. 25, 1983

[30] Foreign Application Priority Data

Jan. 25, 1983 [GB] United Kingdom 1011046
[52] U.S. Cl. D18/2; D3/30.1; D18/7; D18/11
[58] Field of Search D3/301, 33-36, D3/72-74, 76; 206/387, 328, 332-334, 445, 305, 521; D18/2, 11, 67

[56] References Cited

U.S. PATENT DOCUMENTS

D. 236,488 8/1975 Fossella D18/11
D. 245,455 8/1977 Cathey D3/30.1
D. 275,822 10/1984 Gatland et al. D3/30.1
4,071,065 1/1978 Halbich 206/305

4,259,568 3/1981 Dynesen 206/305
4,322,835 3/1982 Ernst et al. 206/305
4,424,899 1/1984 Rosenberg 206/305
4,458,813 7/1984 Tushinsky et al. 206/521

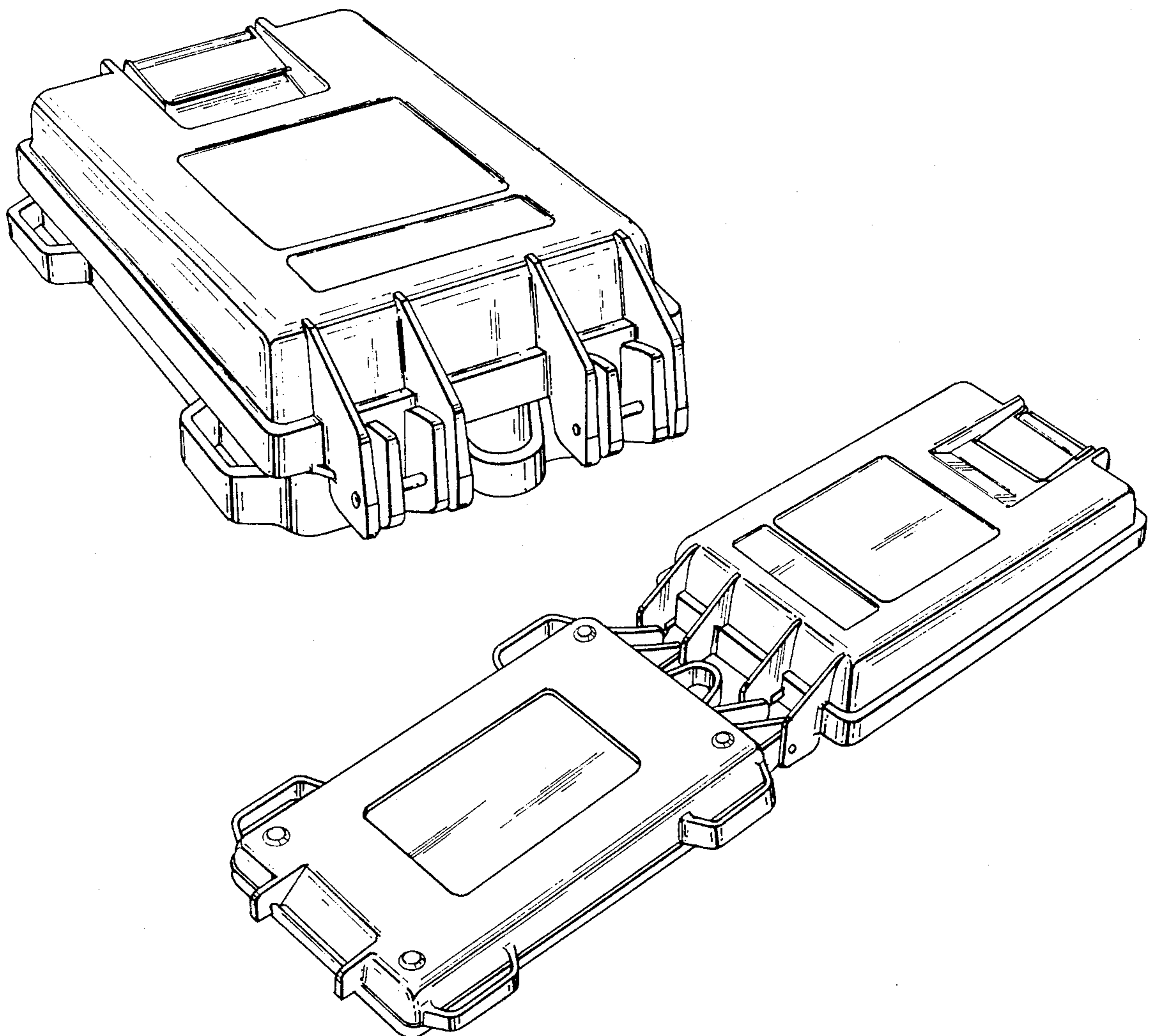
Primary Examiner—George P. Word
Attorney, Agent, or Firm—Murray, Whisenhunt and Ferguson

[57] CLAIM

The ornamental design for a combined calculator and protective case, as shown and described.

DESCRIPTION

FIG. 1 is a top perspective view of a combined calculator and protective case showing my new design; FIG. 2 is an inverted bottom perspective view thereof with the latch partly open; FIG. 3 is an inverted bottom rear perspective view of FIG. 1; FIG. 4 is a top rear perspective view of FIG. 1; FIG. 5 is a top perspective view thereof in the open position showing both top and bottom surfaces; FIG. 6 is a left front perspective view with the cover partly open; and FIG. 7 is a right front perspective view with the cover partly open.



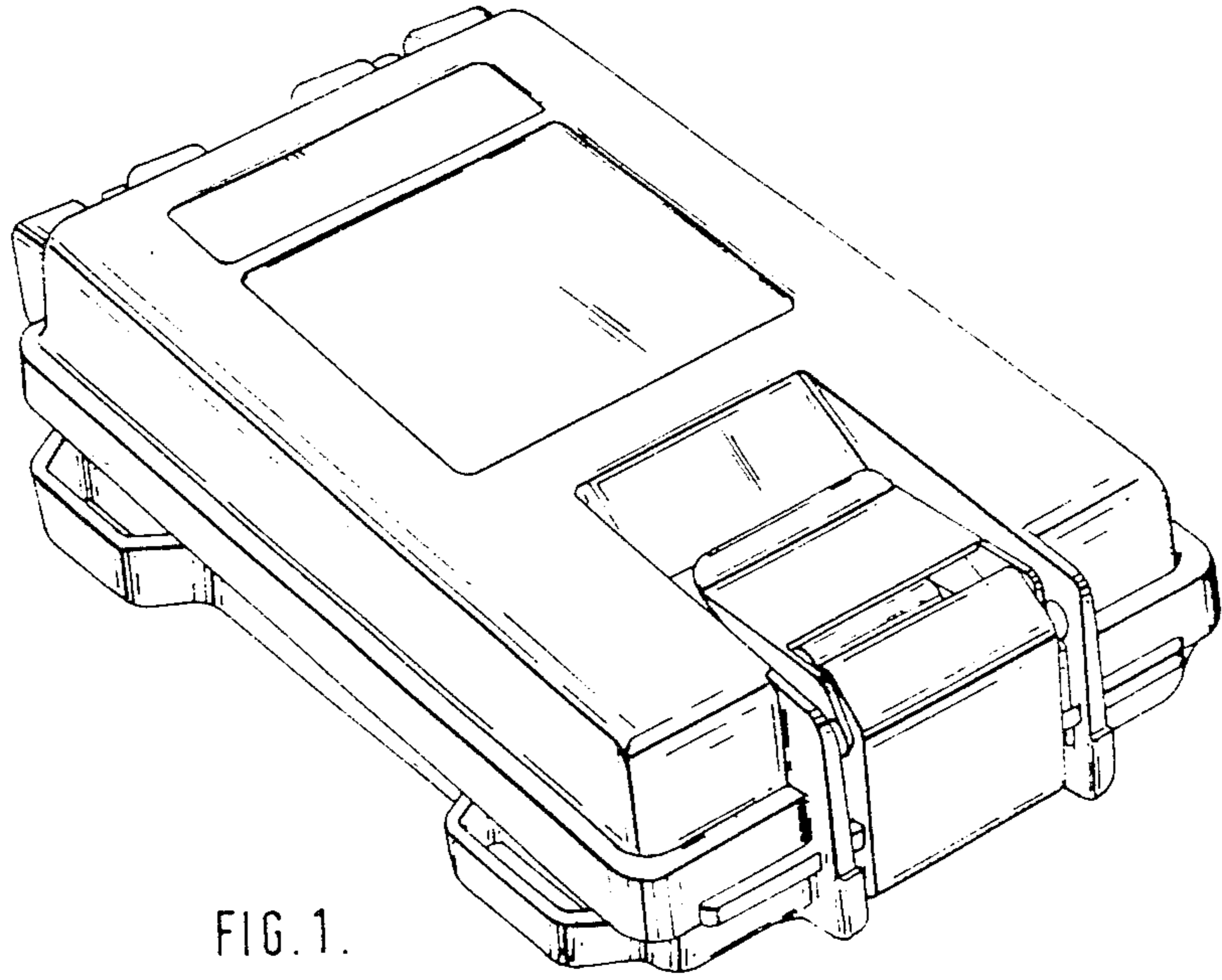


FIG. 1.

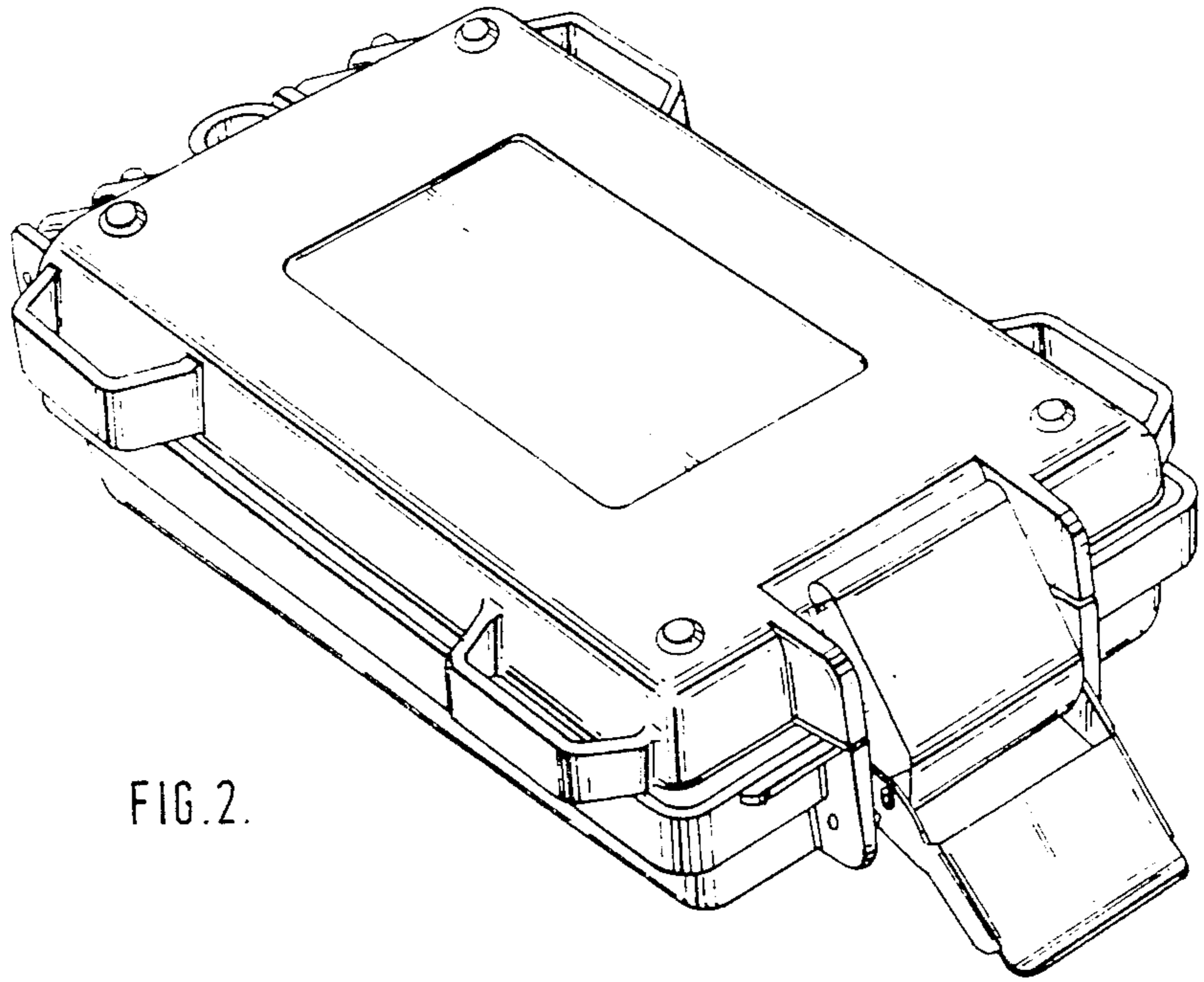


FIG. 2.

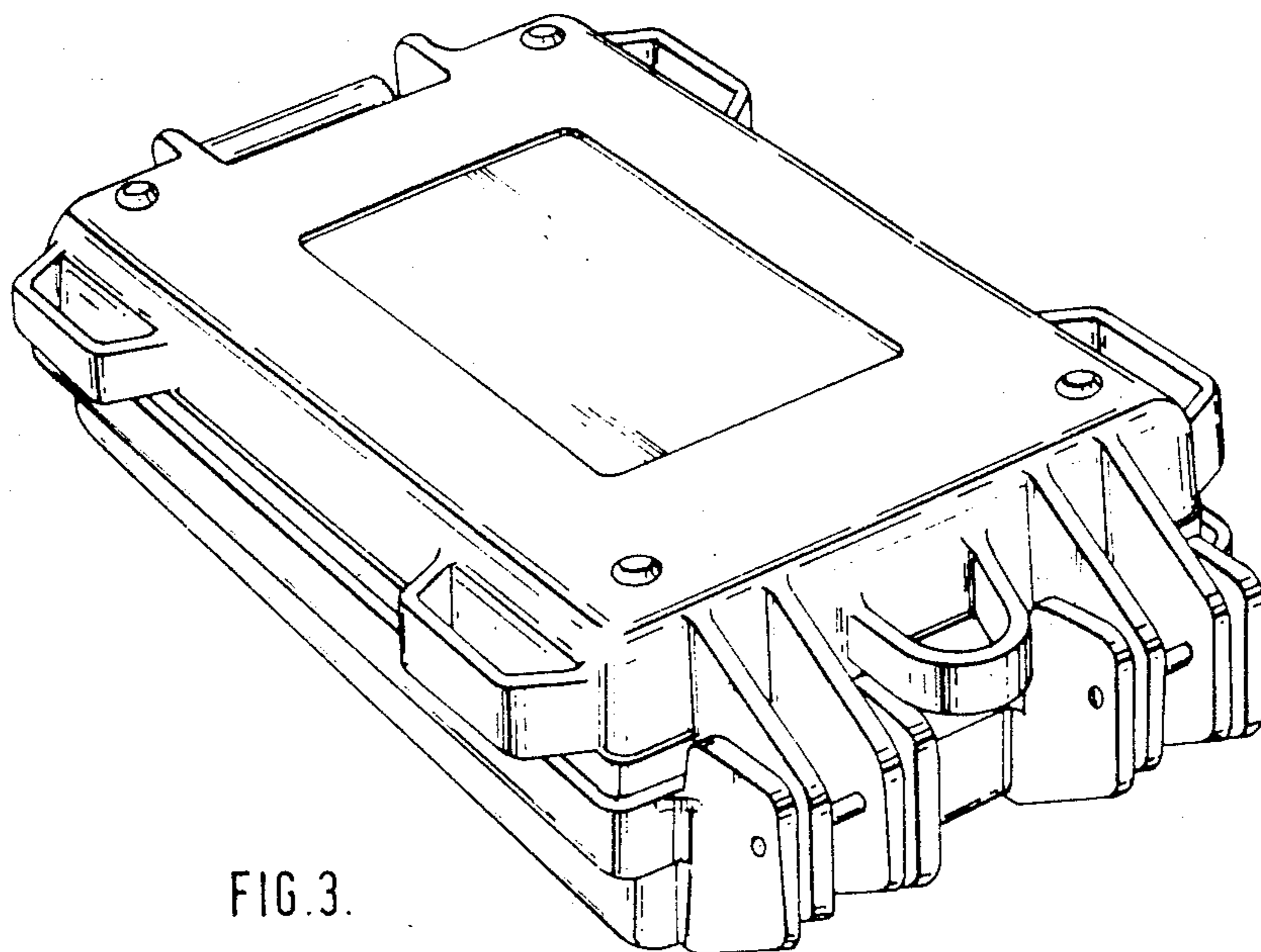


FIG. 3.

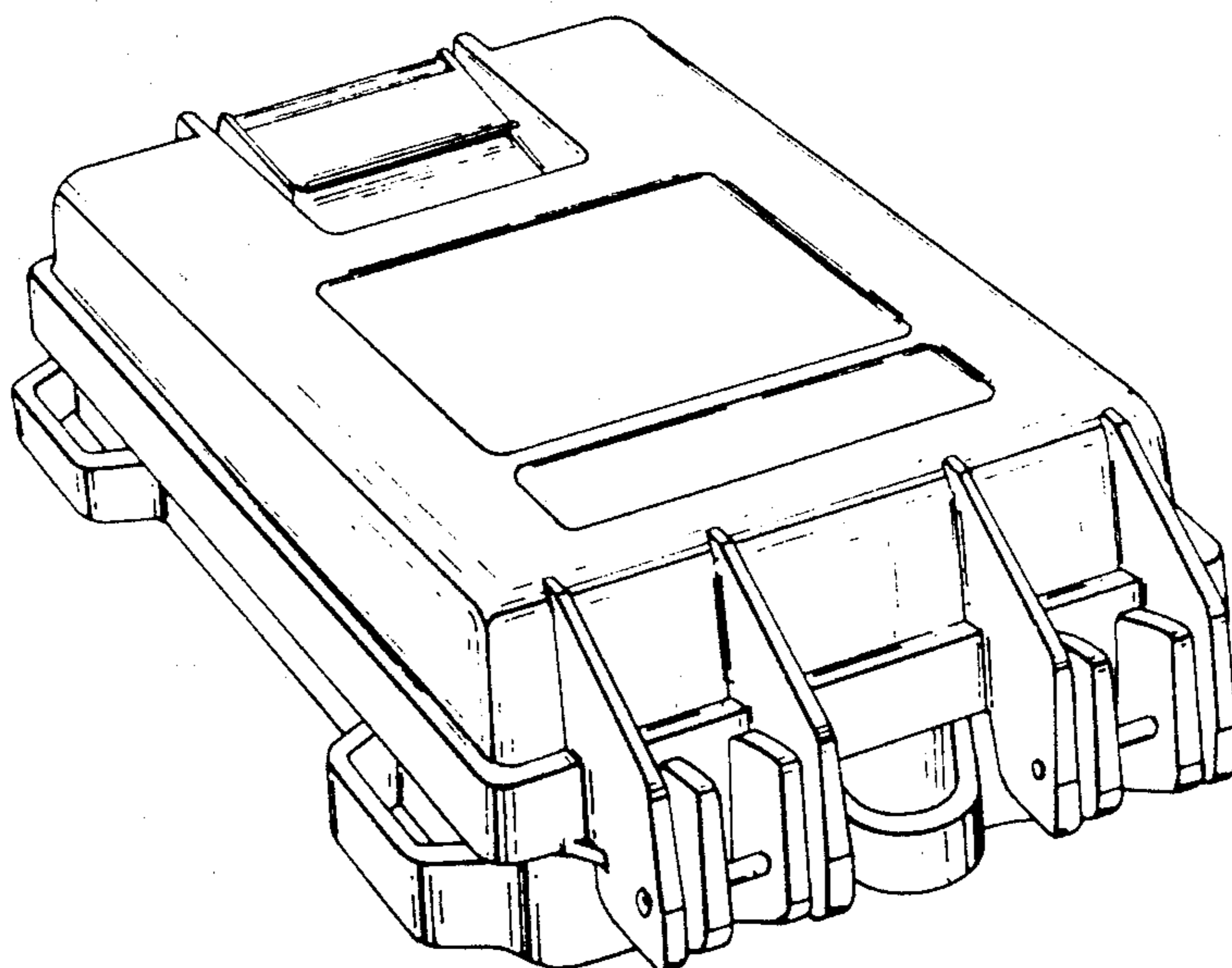


FIG. 4.

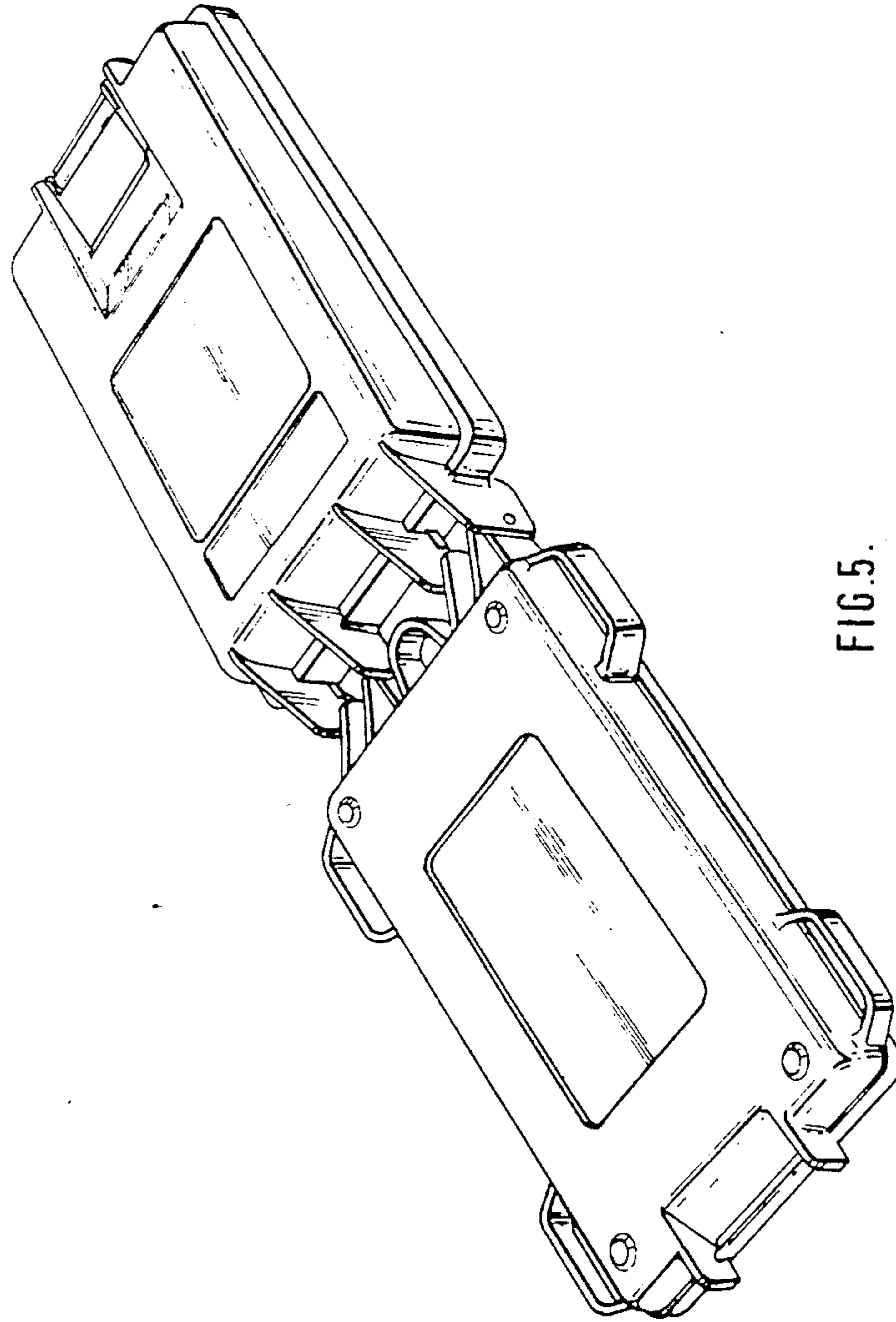


FIG. 5.

UNITED STATES PATENT AND TRADEMARK OFFICE
CERTIFICATE OF CORRECTION

PATENT NO. :Des. 283,137

Page 1 of 3

DATED :March 25, 1986

INVENTOR(S) :Christopher J. Hamar

It is certified that error appears in the above-identified patent and that said Letters Patent is hereby corrected as shown below:

Figure 6 and 7 of the drawings should be added
as per attached sheets.

Signed and Sealed this
Fourteenth Day of October, 1986

[SEAL]

Attest:

DONALD J. QUIGG

Attesting Officer

Commissioner of Patents and Trademarks

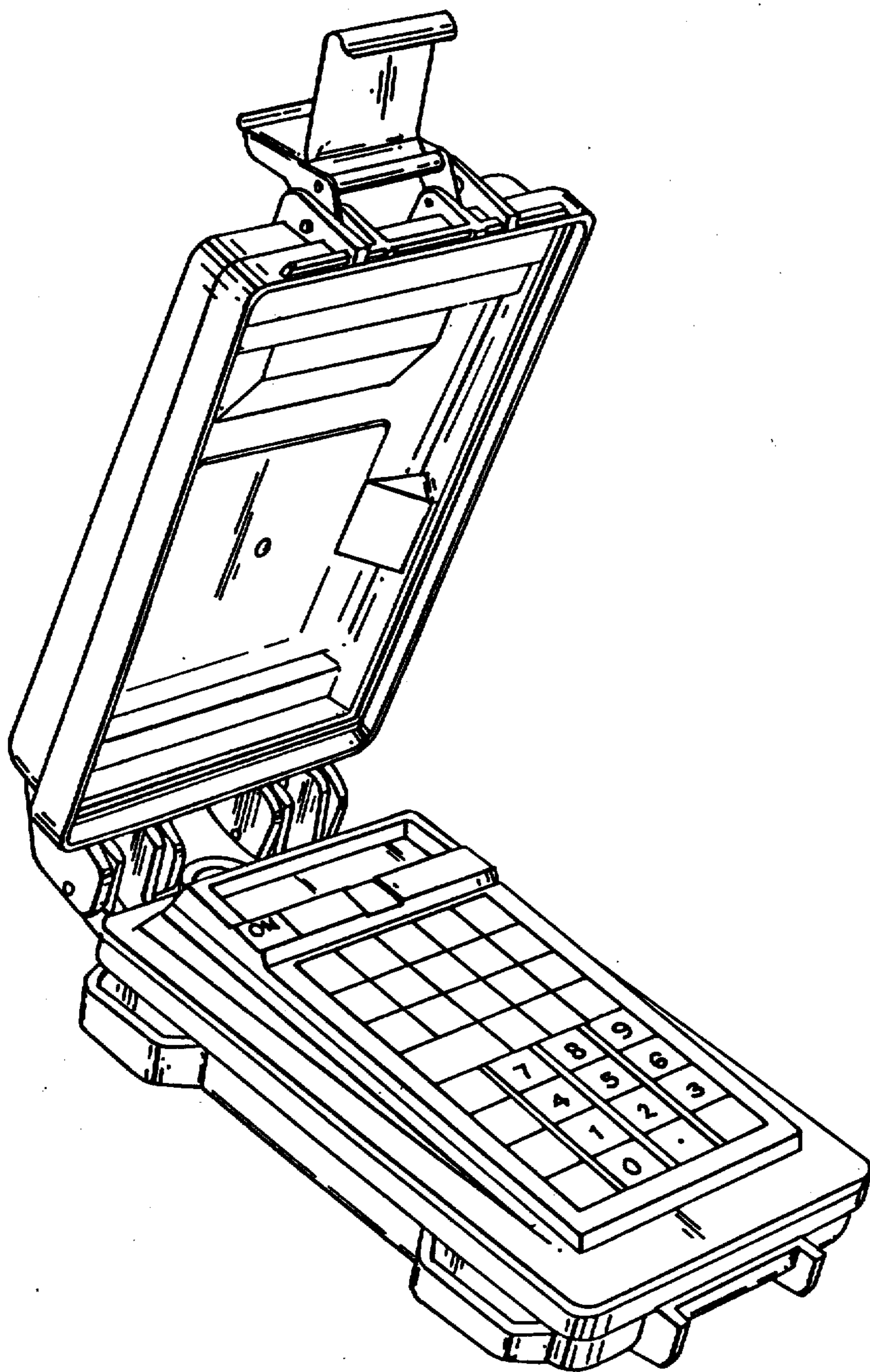


FIG. 6.

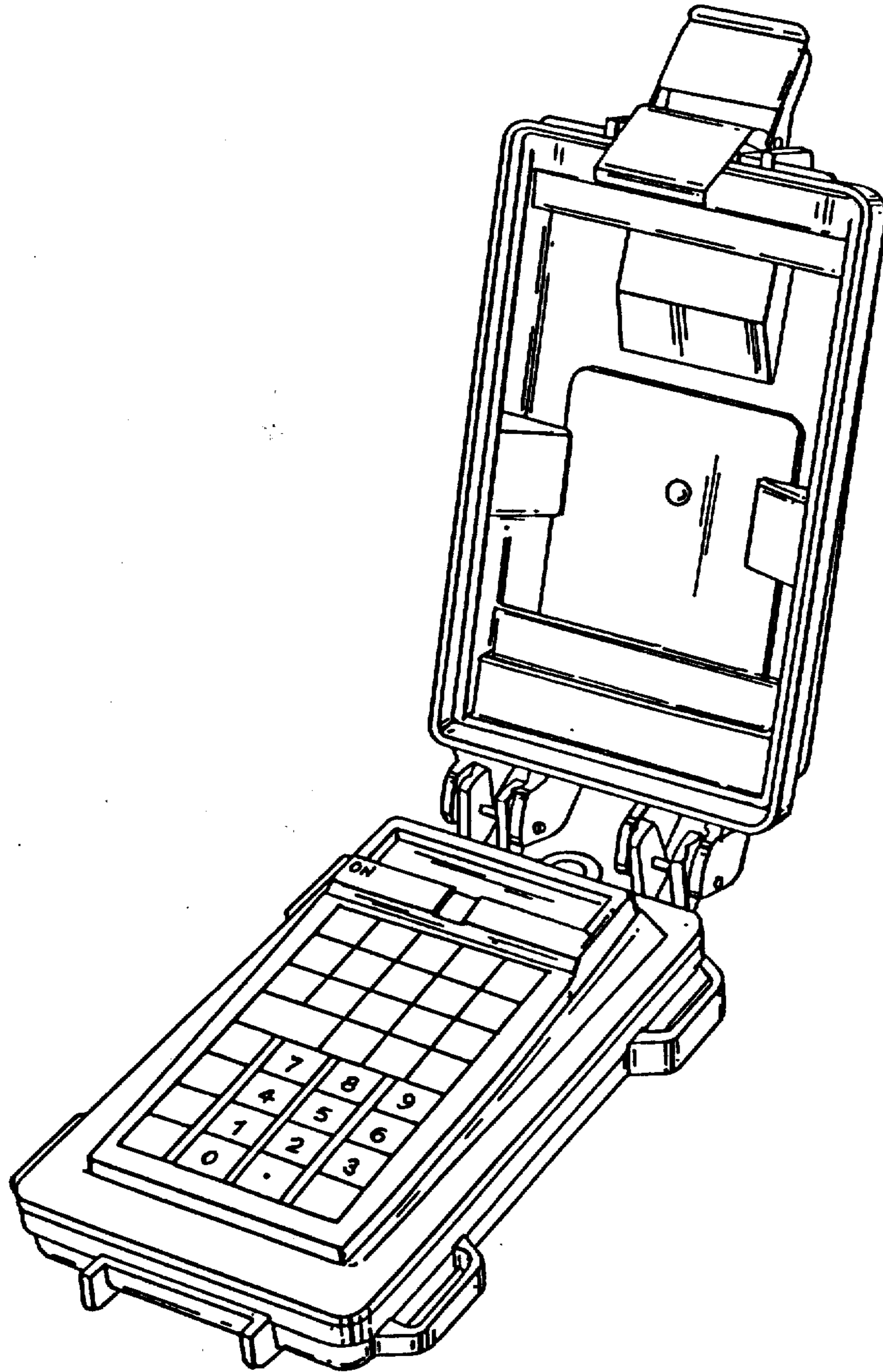


FIG. 7.