

[54] **COPYING MACHINE**

- [75] Inventor: **Andrew T. Serbinski**, New York, N.Y.
- [73] Assignee: **Ozalid Corporation**, Mahwah, N.J.
- [**] Term: **14 Years**
- [21] Appl. No.: **564,310**
- [22] Filed: **Dec. 22, 1983**
- [52] U.S. Cl. **D16/27; D16/29; D16/31**
- [58] Field of Search **D16/27, 28, 29, 30, D16/31, 32; 355/78-79, 84, 97, 100, 103-104, 106**

[56] **References Cited**

U.S. PATENT DOCUMENTS

D. 143,652	1/1946	Floeter	D16/28 X
D. 164,263	8/1951	Reader	D16/29
D. 186,474	10/1959	Robbins	D16/29
D. 198,549	6/1964	Graw	D16/34
D. 212,052	8/1968	Bravo	D16/29
D. 228,152	8/1973	Matwey	D16/27

OTHER PUBLICATIONS

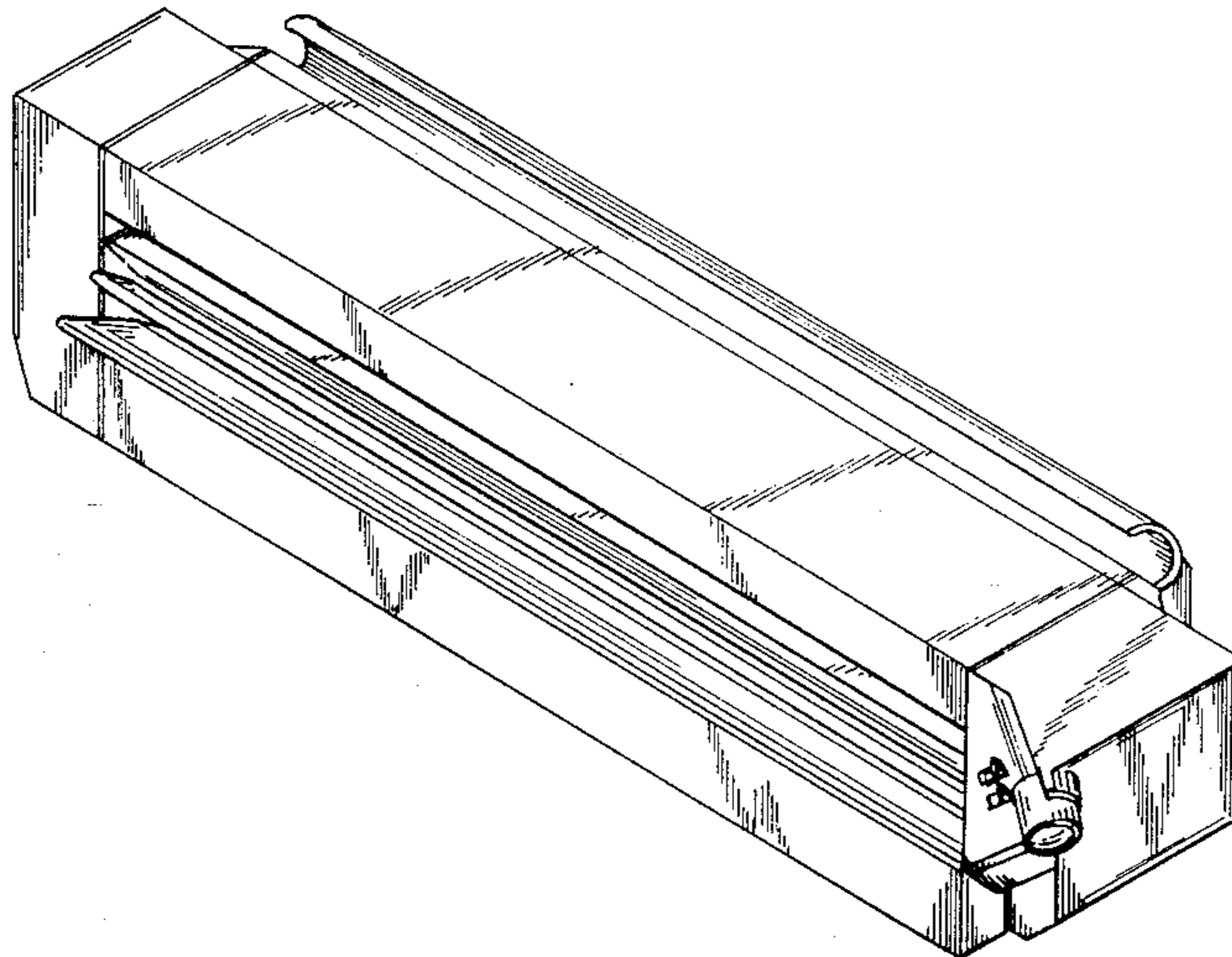
The Office—6/73—p. 94—Copier at left—third from top.
Industrial Design—10/57—p. 19—Copier at center.
Electrical Equipment—1/60—p. 34—Copier.
House & Home—9/67—p. 47—Whitteprinter at bottom.
Primary Examiner—Nelson C. Holtje
Attorney, Agent, or Firm—Kane, Dalsimer, Kane, Sullivan and Kurucz

[57] **CLAIM**

The ornamental design for a copying machine, as shown and described.

DESCRIPTION

FIG. 1 is a right front perspective view of a copying machine showing my new design;
FIG. 2 is a top plan view thereof on an enlarged scale with portions shown broken away for ease of illustration;
FIG. 3 is a front elevational view thereof on an enlarged scale with portions shown broken away for ease of illustration;
FIG. 4 is a right side elevational view of FIG. 3;
FIG. 5 is a left side elevational view of FIG. 3;
FIG. 6 is a rear elevational view of FIG. 3.



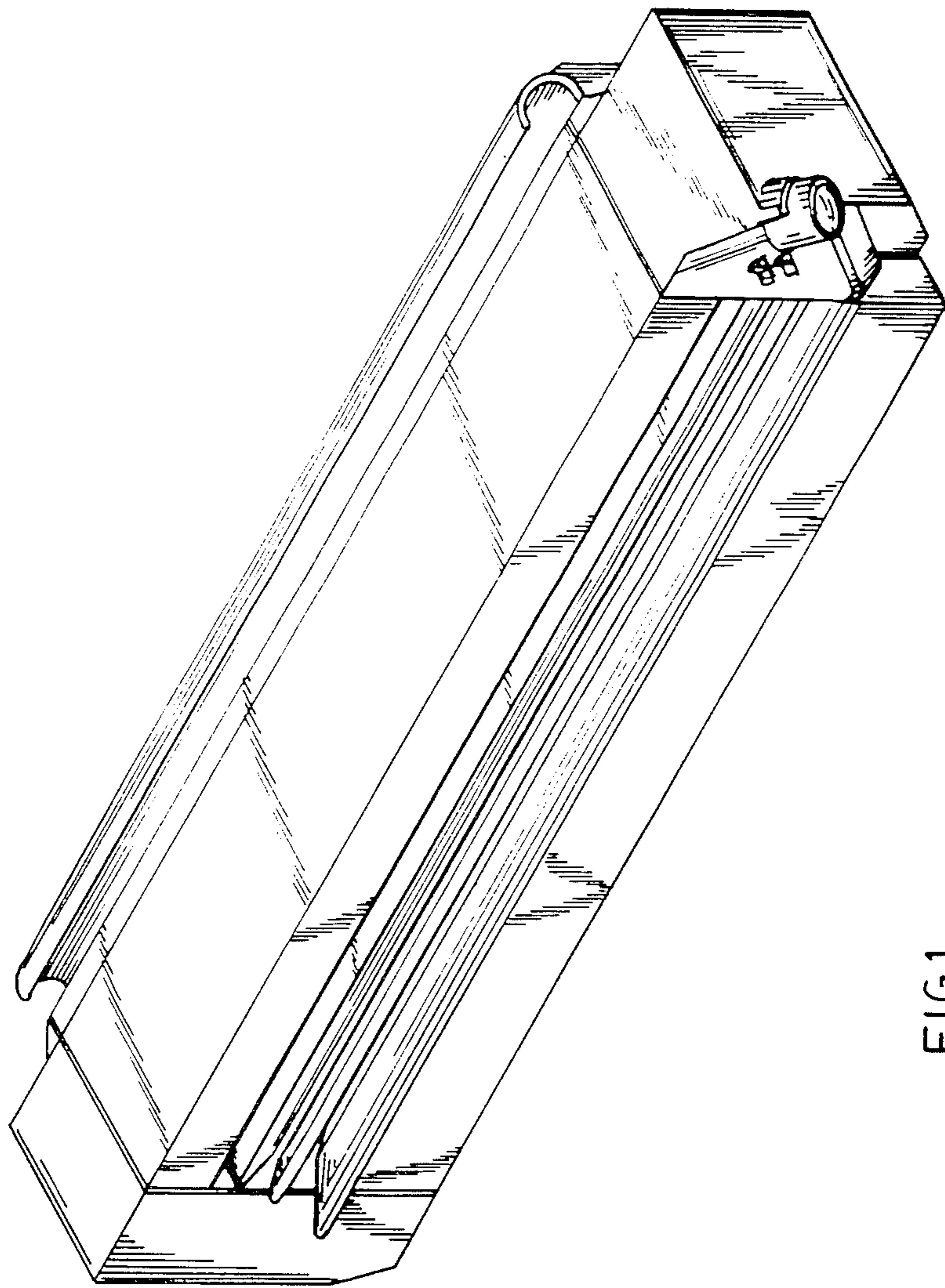


FIG.1

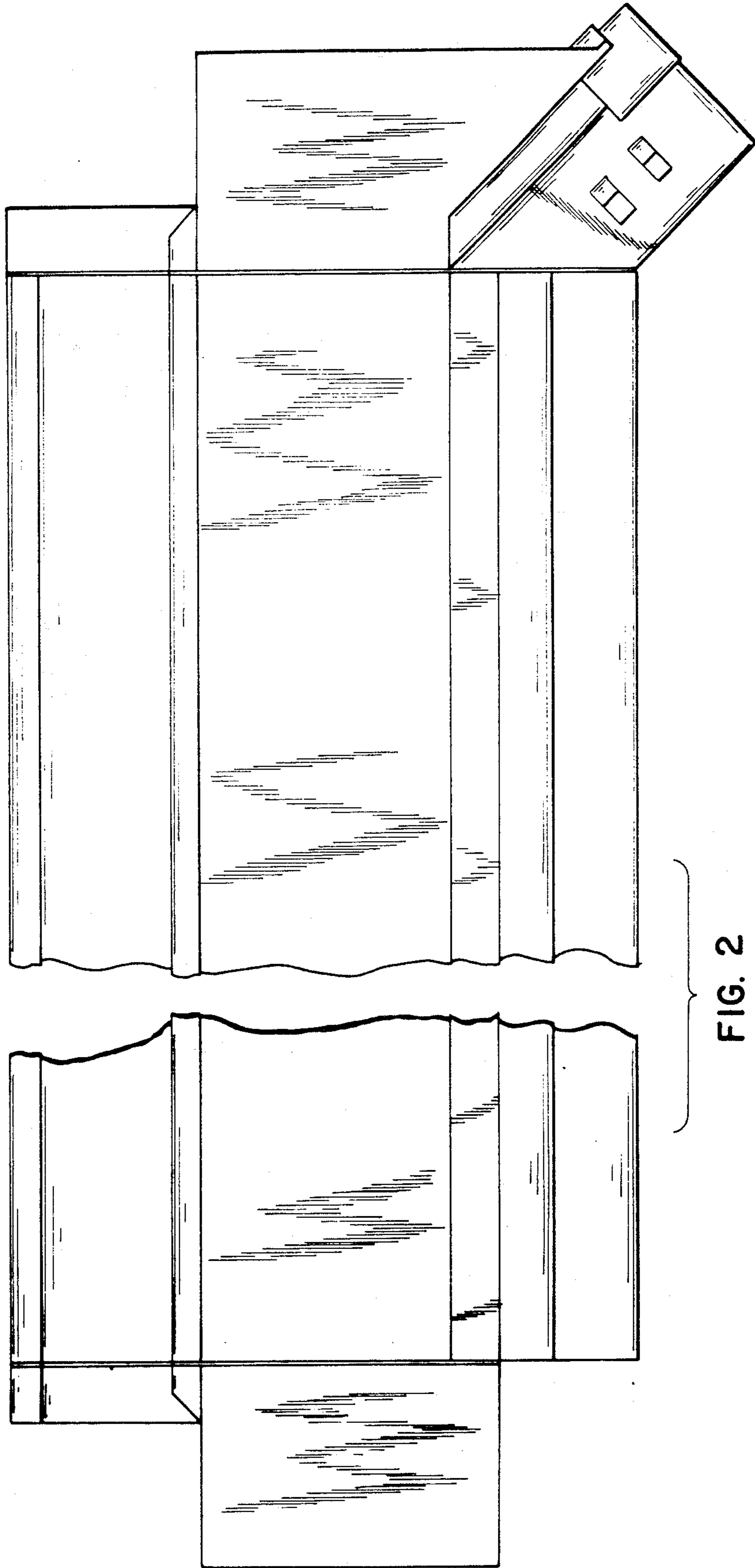


FIG. 2

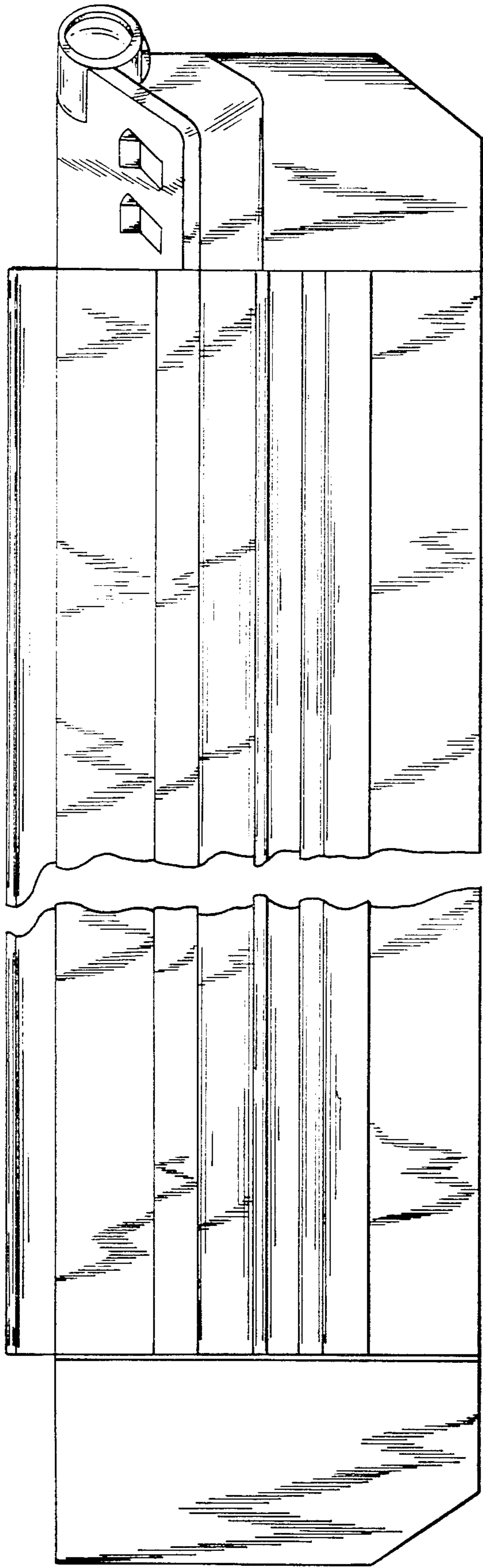


FIG. 3

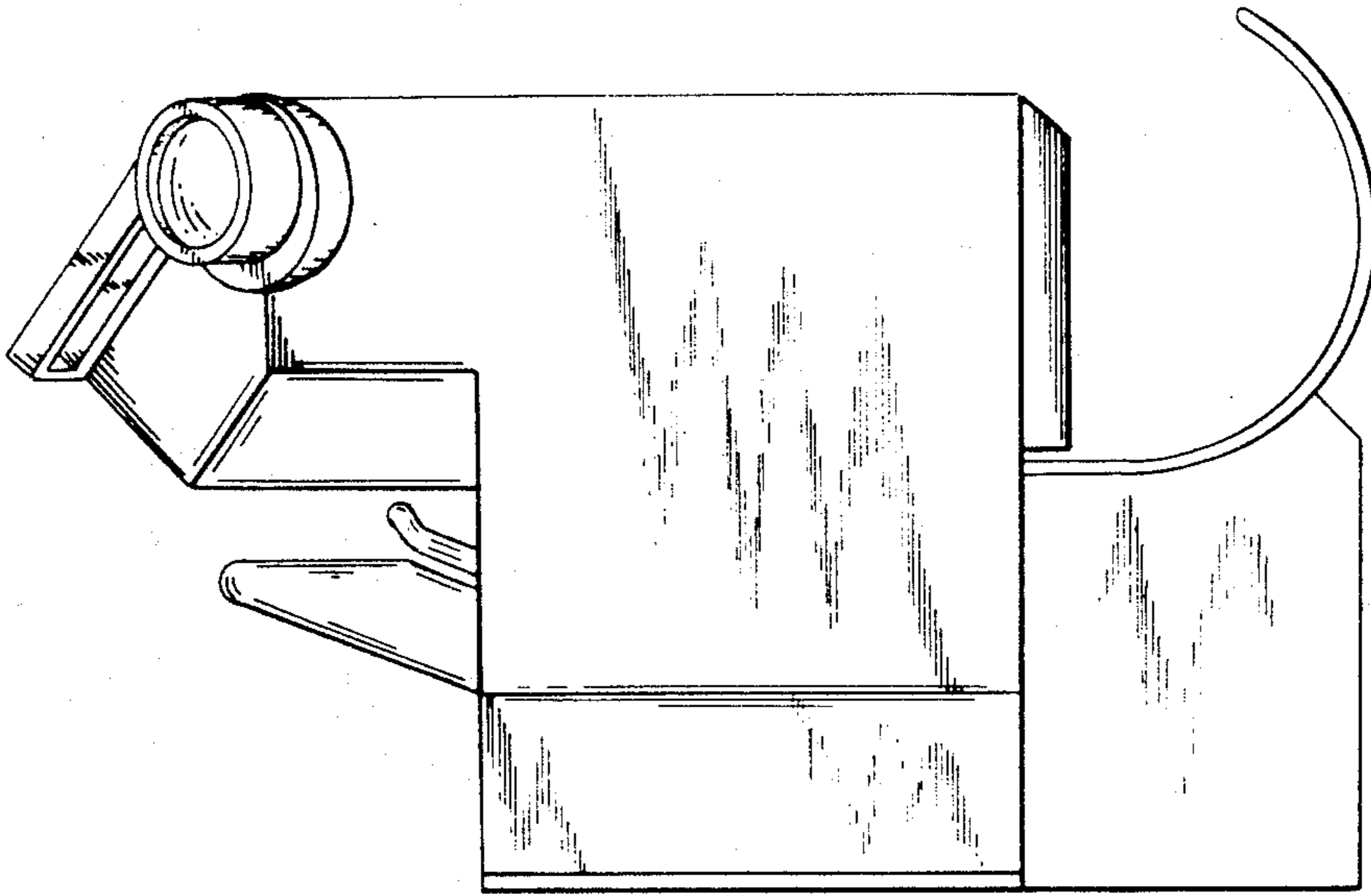


FIG. 4

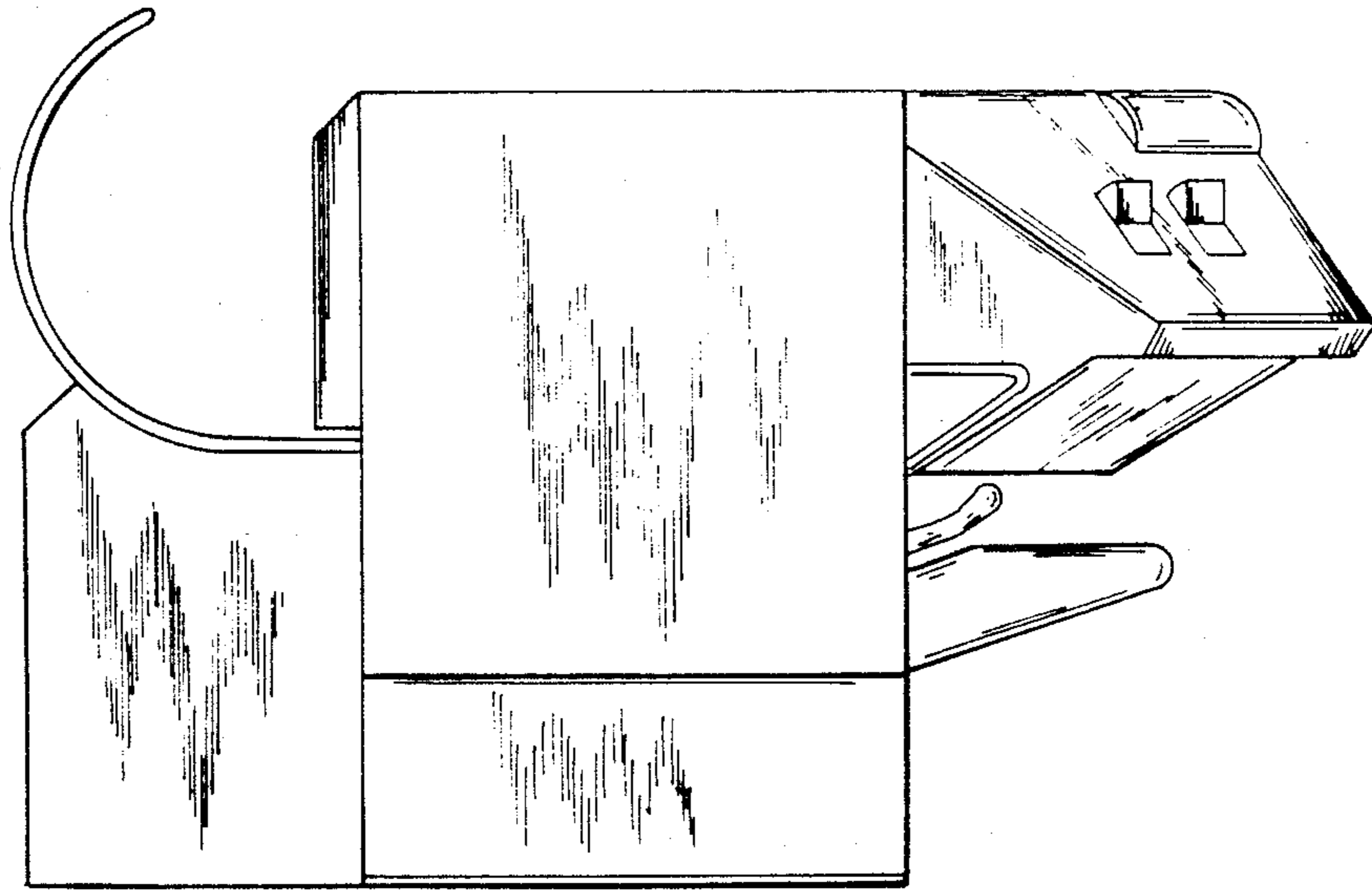


FIG. 5

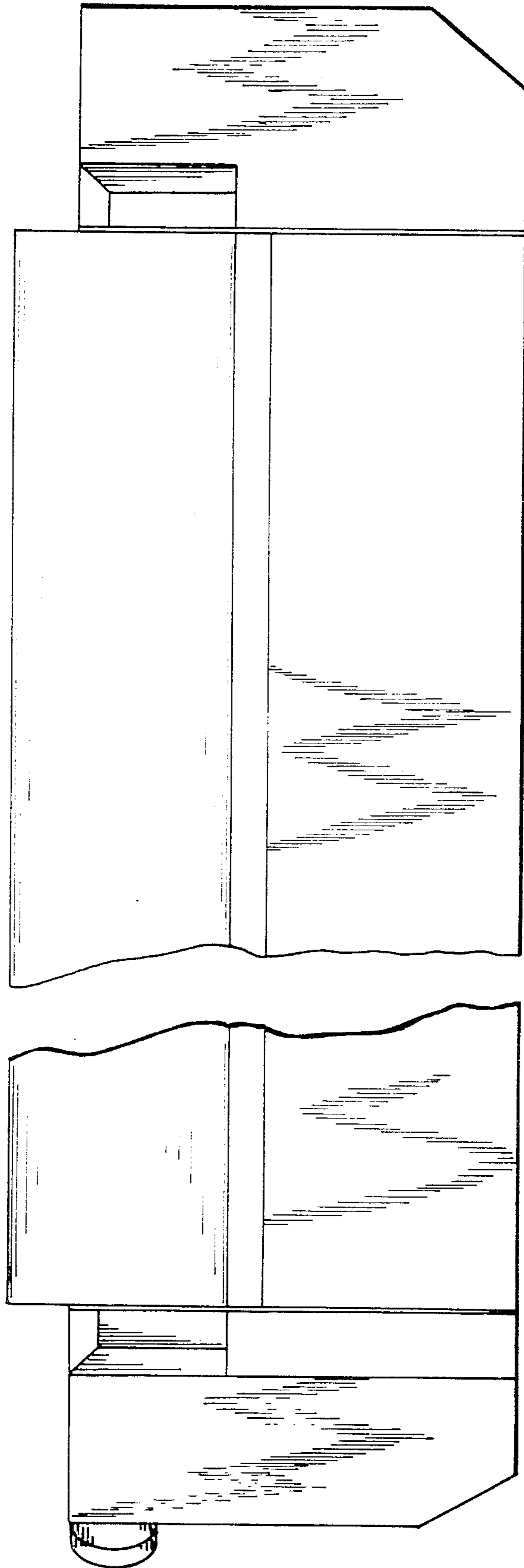


FIG. 6