

[54] AGRICULTURAL TRACTOR

[75] Inventors: Genichi Funabashi; Akira Teraoka, both of Sennan; Tadashi Nakamura, Kawachinagano, all of Japan

[73] Assignee: Kubota Ltd., Osaka, Japan

[**] Term: 14 Years

[21] Appl. No.: 536,976

[22] Filed: Sep. 29, 1983

[52] U.S. Cl. D15/23

[58] Field of Search D15/10, 22, 23, 26; 180/55, 89.1; 296/177, 194

[56] References Cited

U.S. PATENT DOCUMENTS

- D. 195,833 8/1963 Shelton D15/23
- D. 205,203 7/1966 Heth et al. D15/23
- D. 209,138 11/1967 Armstrong et al. D15/23

- D. 258,824 4/1981 Funabashi D15/23
- D. 261,141 10/1981 Takahashi et al. D15/23
- 3,648,797 3/1972 Lukens et al. 180/89.1

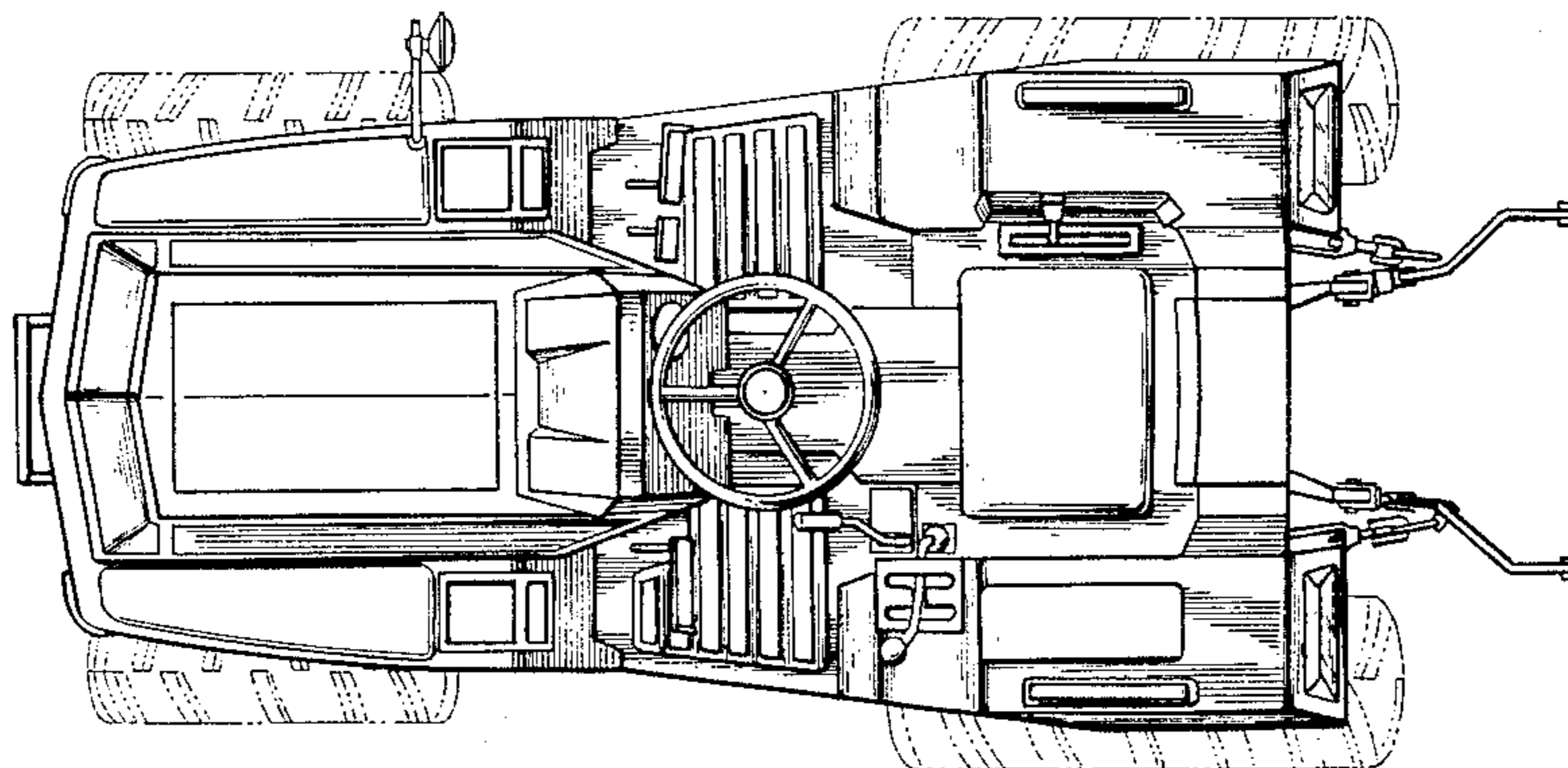
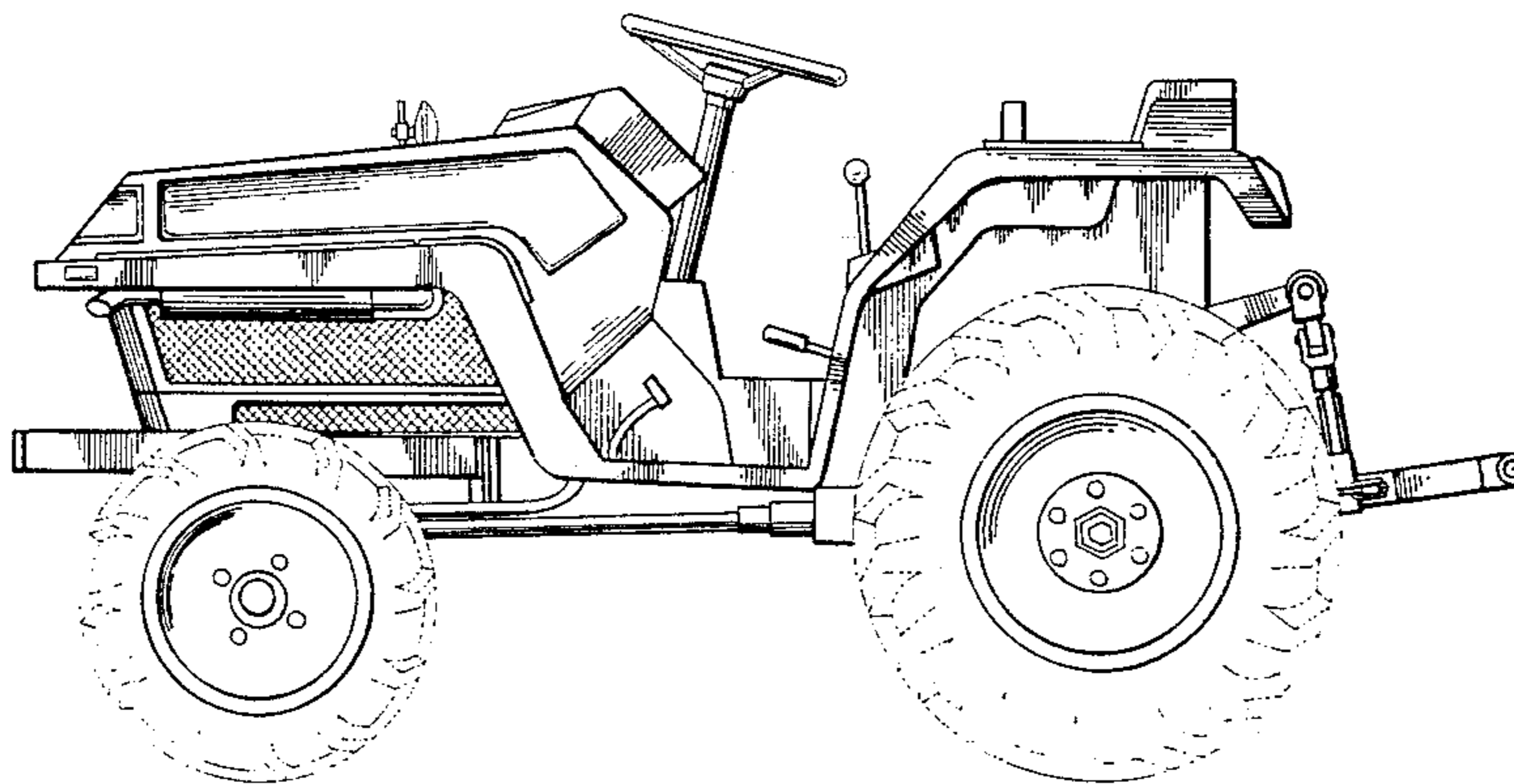
Primary Examiner—B. J. Bullock
Assistant Examiner—Suzanne N. Gitlin
Attorney, Agent, or Firm—Cushman, Darby & Cushman

[57] CLAIM

The ornamental design of an agricultural tractor, as shown and described.

DESCRIPTION

FIG. 1 is a side elevational view of an agricultural tractor showing my new design;
FIG. 2 is a side elevational view opposite that shown in FIG. 1;
FIG. 3 is a top plan view thereof;
FIG. 4 is a front elevational view thereof;
FIG. 5 is a rear elevational view thereof.
The broken line showing of the tires in the drawing are for illustrative purposes only.



F I G. 1

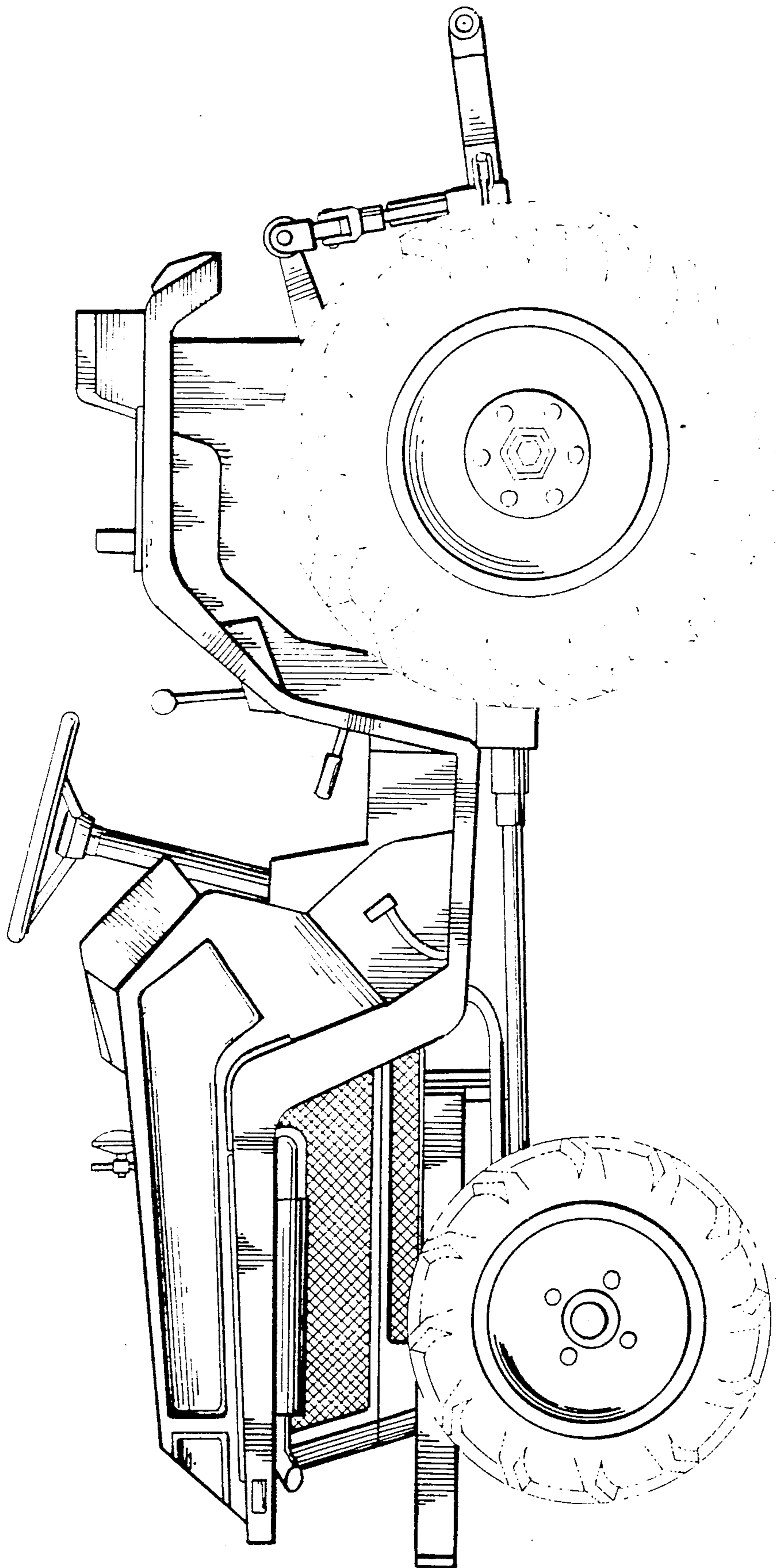
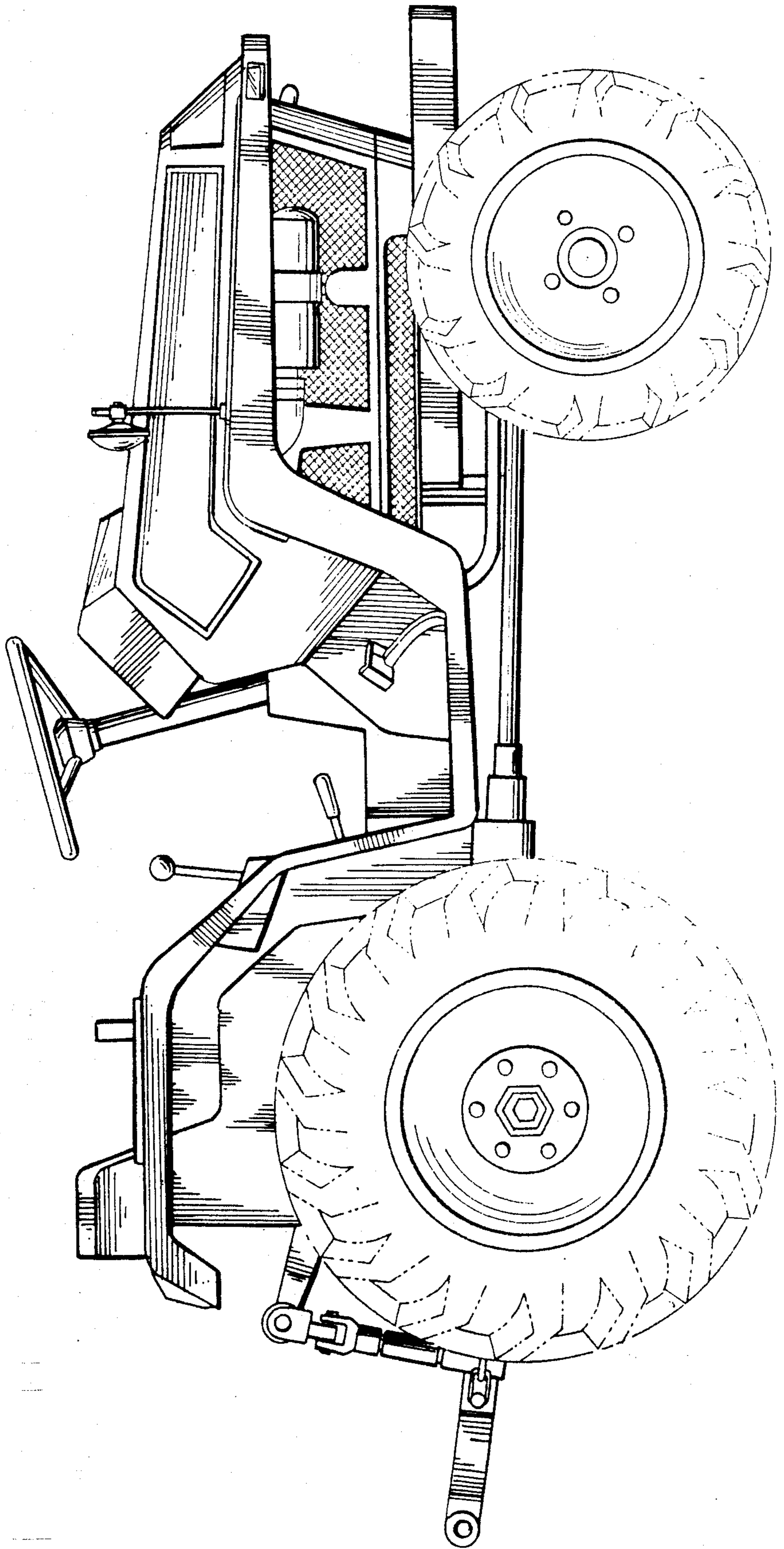
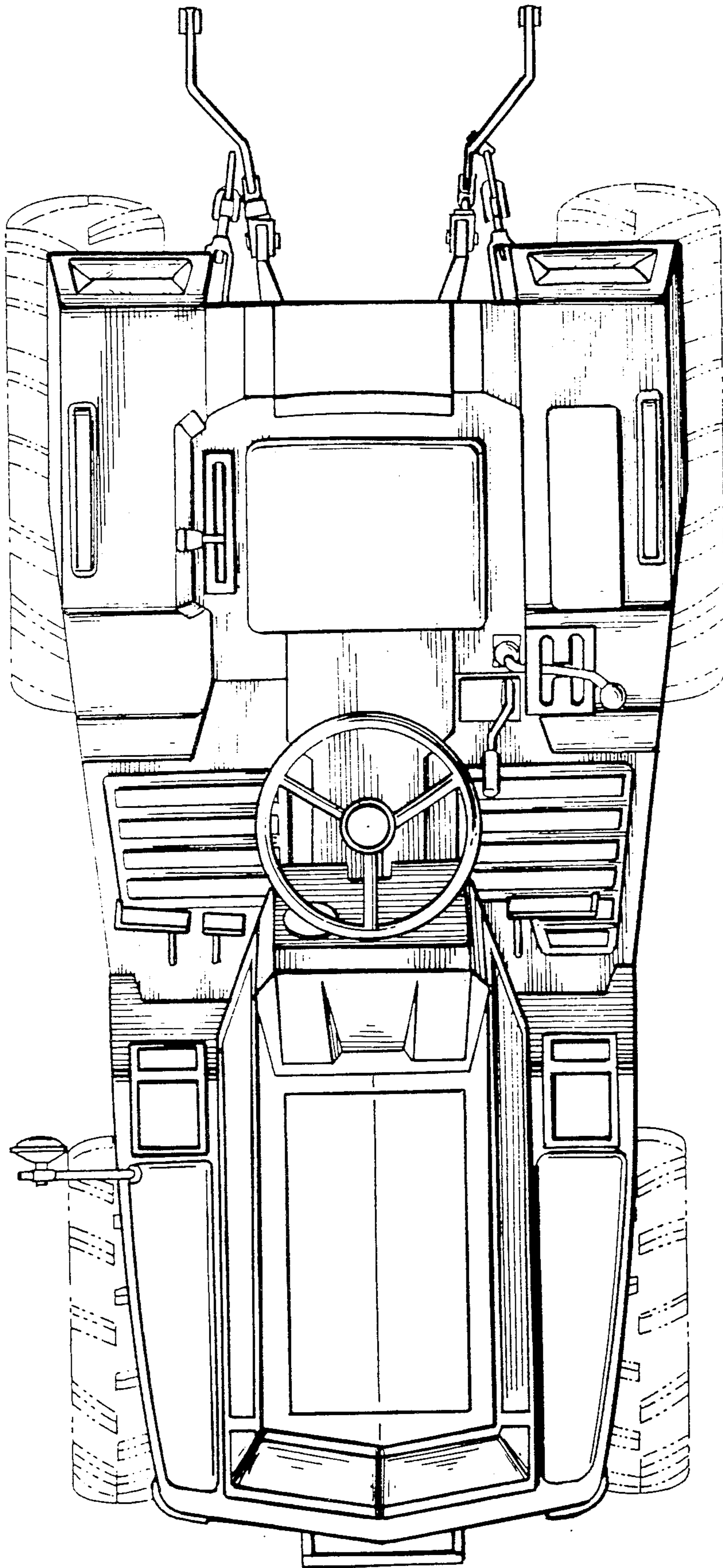


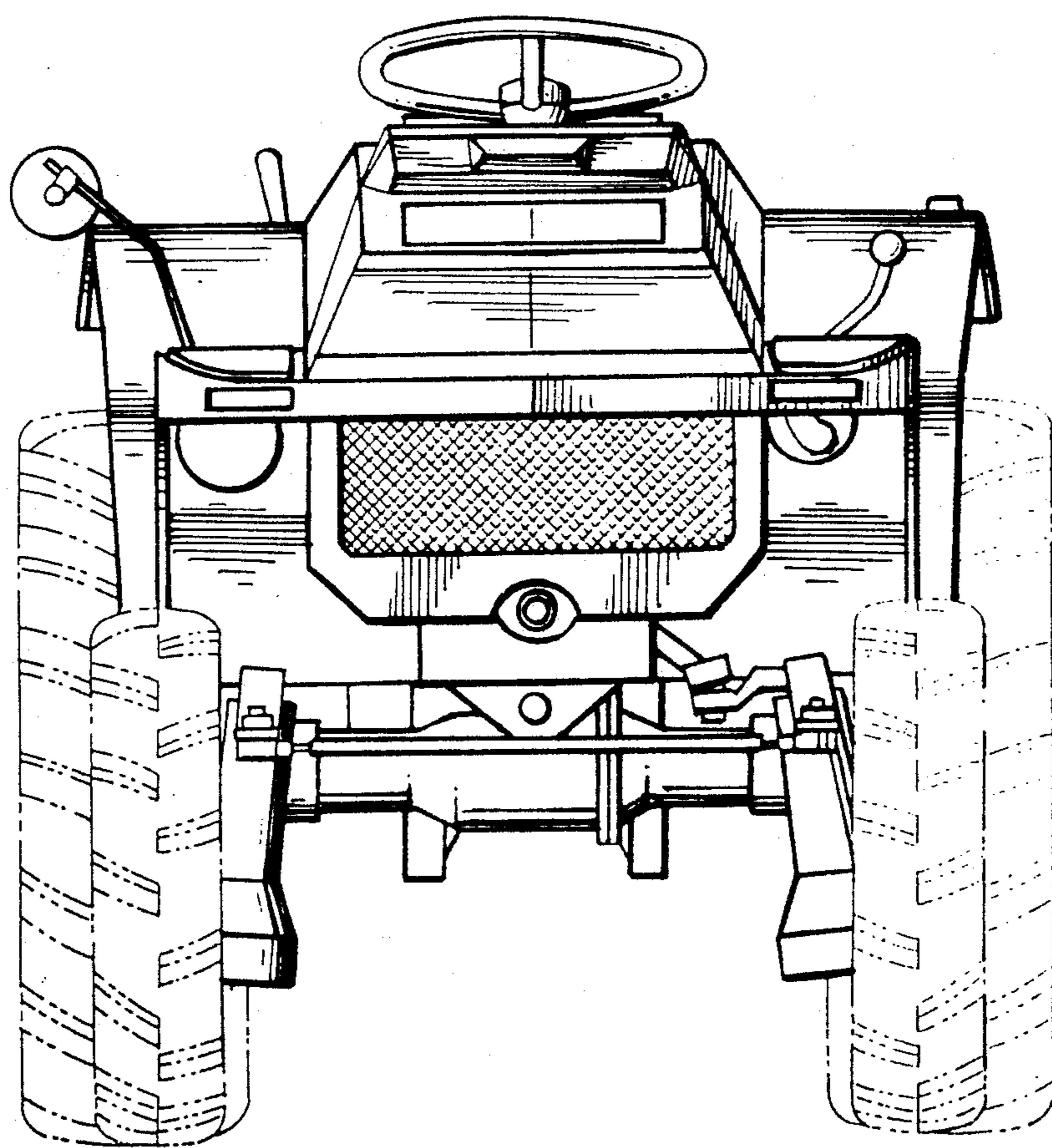
FIG. 2

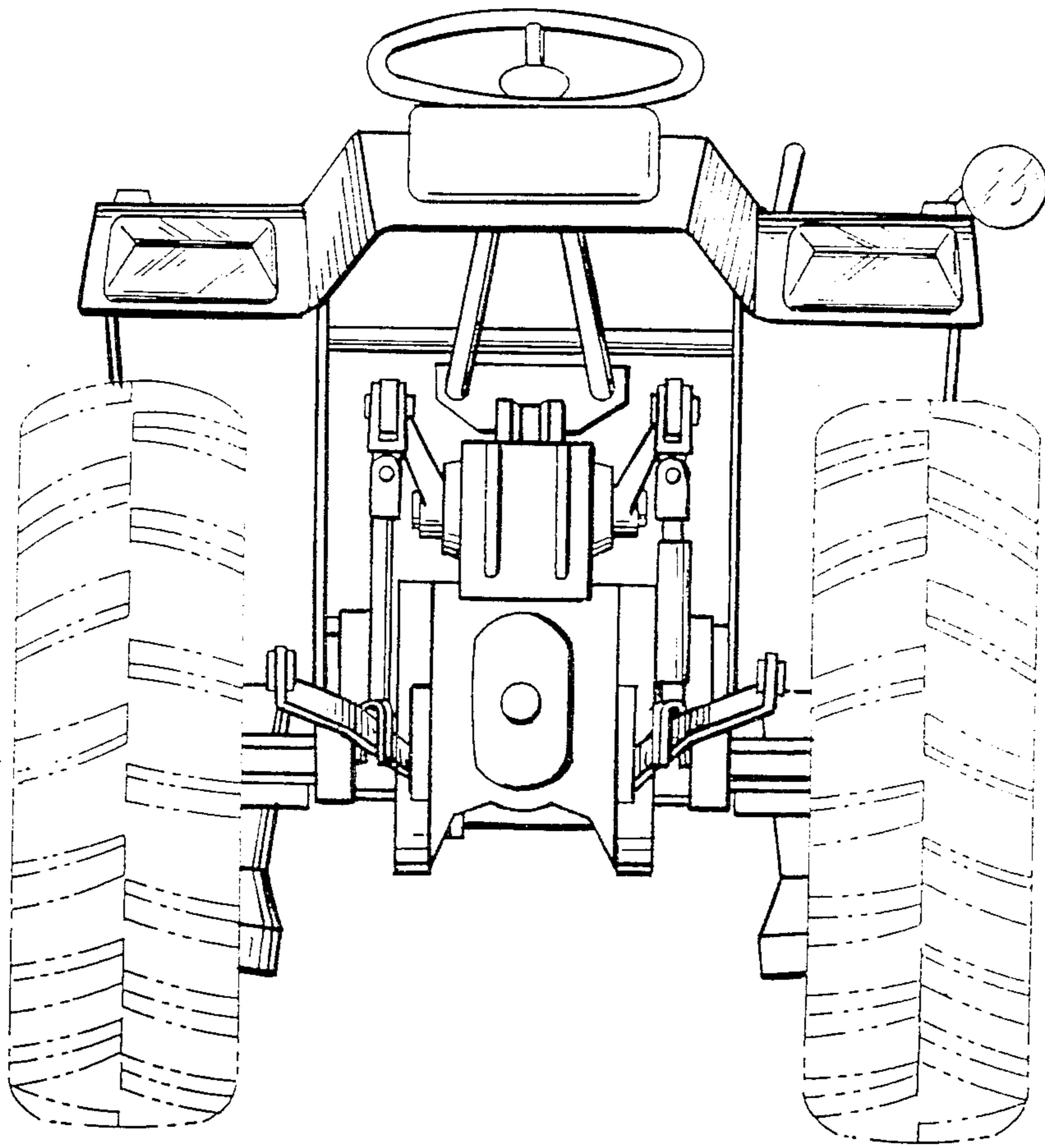


F I G. 3



F I G. 4





F I G. 5