

[54] PRINTER FOR ELECTRONIC COMPUTER

[75] Inventor: Nobuki Matsumoto, Miura, Japan

[73] Assignee: Ricoh Company, Ltd., Japan

[**] Term: 14 Years

[21] Appl. No.: 523,721

[22] Filed: Aug. 16, 1983

[30] Foreign Application Priority Data

Feb. 23, 1983 [JP] Japan 58-7154

[52] U.S. Cl. D14/111

[58] Field of Search D14/111; D18/13, 22, D18/23; 400/691, 693

[56] References Cited

U.S. PATENT DOCUMENTS

D. 264,083 4/1982 Grae D14/111

OTHER PUBLICATIONS

Computer Design, 3-1980, p. 100, Centronics® Mod. 730 Printer.

Computer Design, 6-1980, p. 2, Mannesmann Tally T1705 Printer.

Genesis One® Wordstream Brochure, 1979, Printer. Sharp IO-700 Catalog page, Japan, 5-1982, Color Image Printer.

Primary Examiner—Susan J. Lucas
Attorney, Agent, or Firm—Guy W. Shoup

[57] CLAIM

The ornamental design for printer for electronic computer, as shown.

DESCRIPTION

FIG. 1 is a perspective view of a printer for electronic computer showing my new design;
FIG. 2 is a top plan view thereof;
FIG. 3 is a front elevational view thereof;
FIG. 4 is a side elevational view thereof;
FIG. 5 is an opposite side elevational view thereof;
FIG. 6 is a rear elevational view thereof;
FIG. 7 is a bottom plan view thereof.

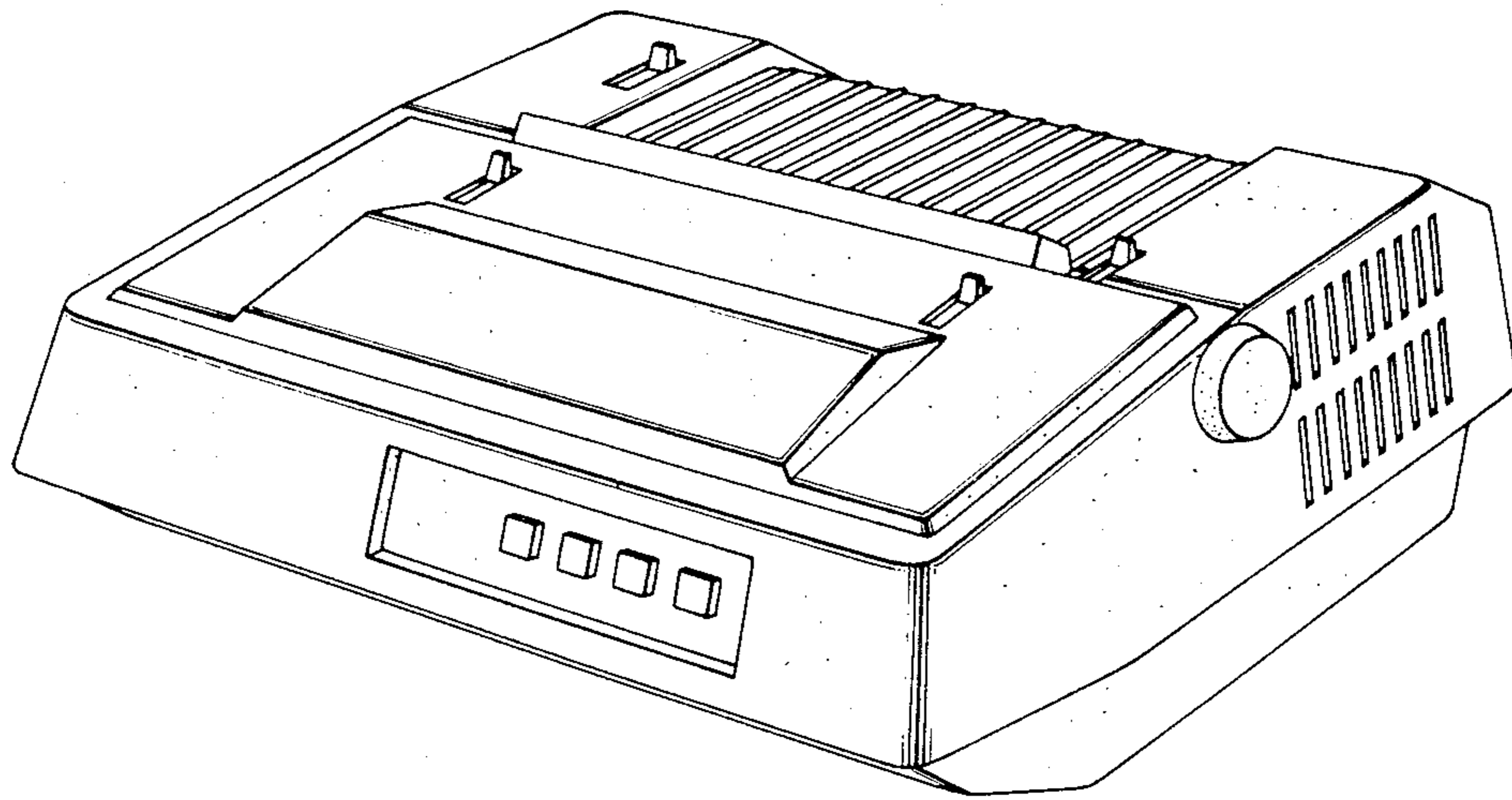


FIG. 1

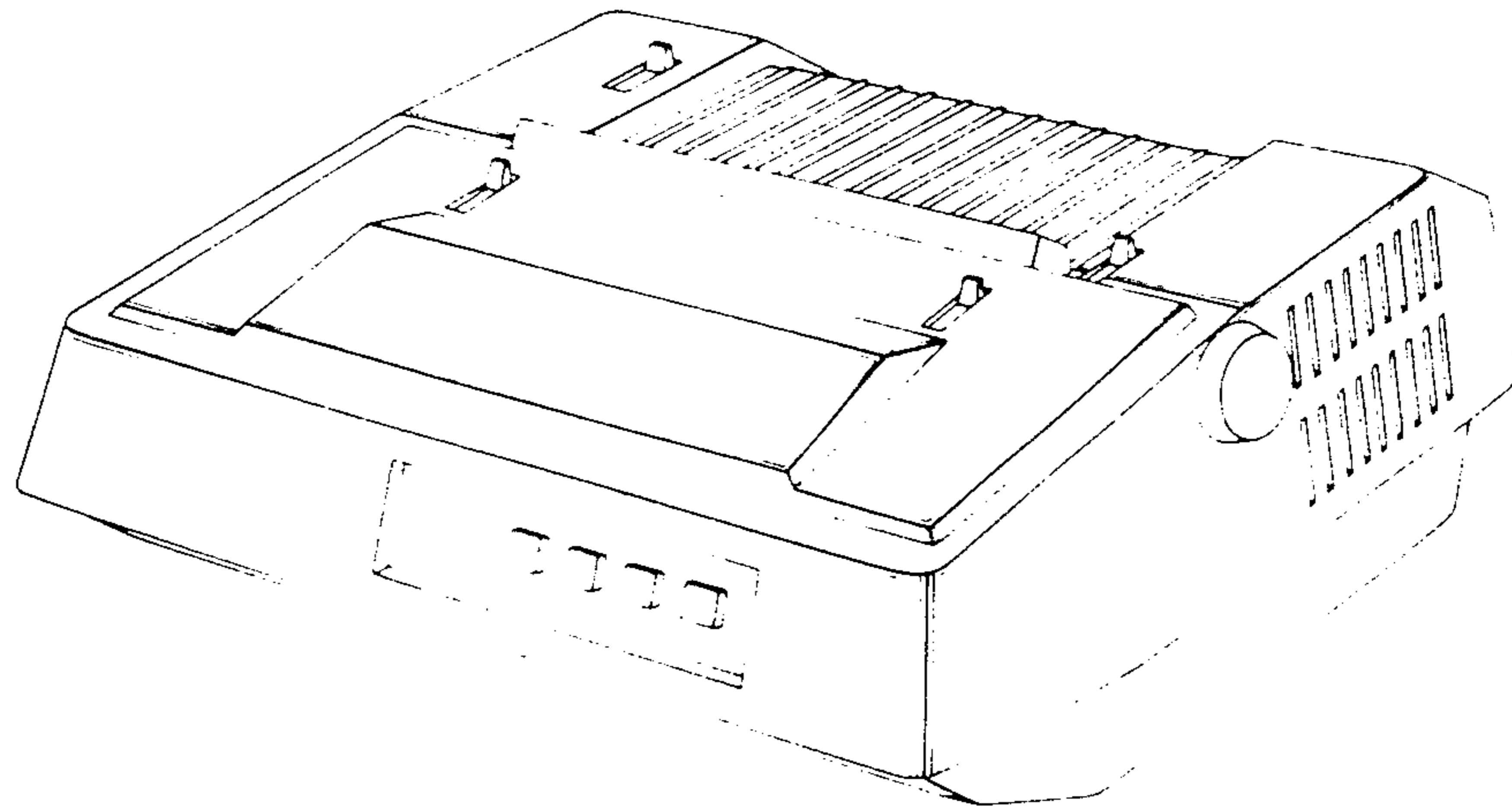


FIG. 2

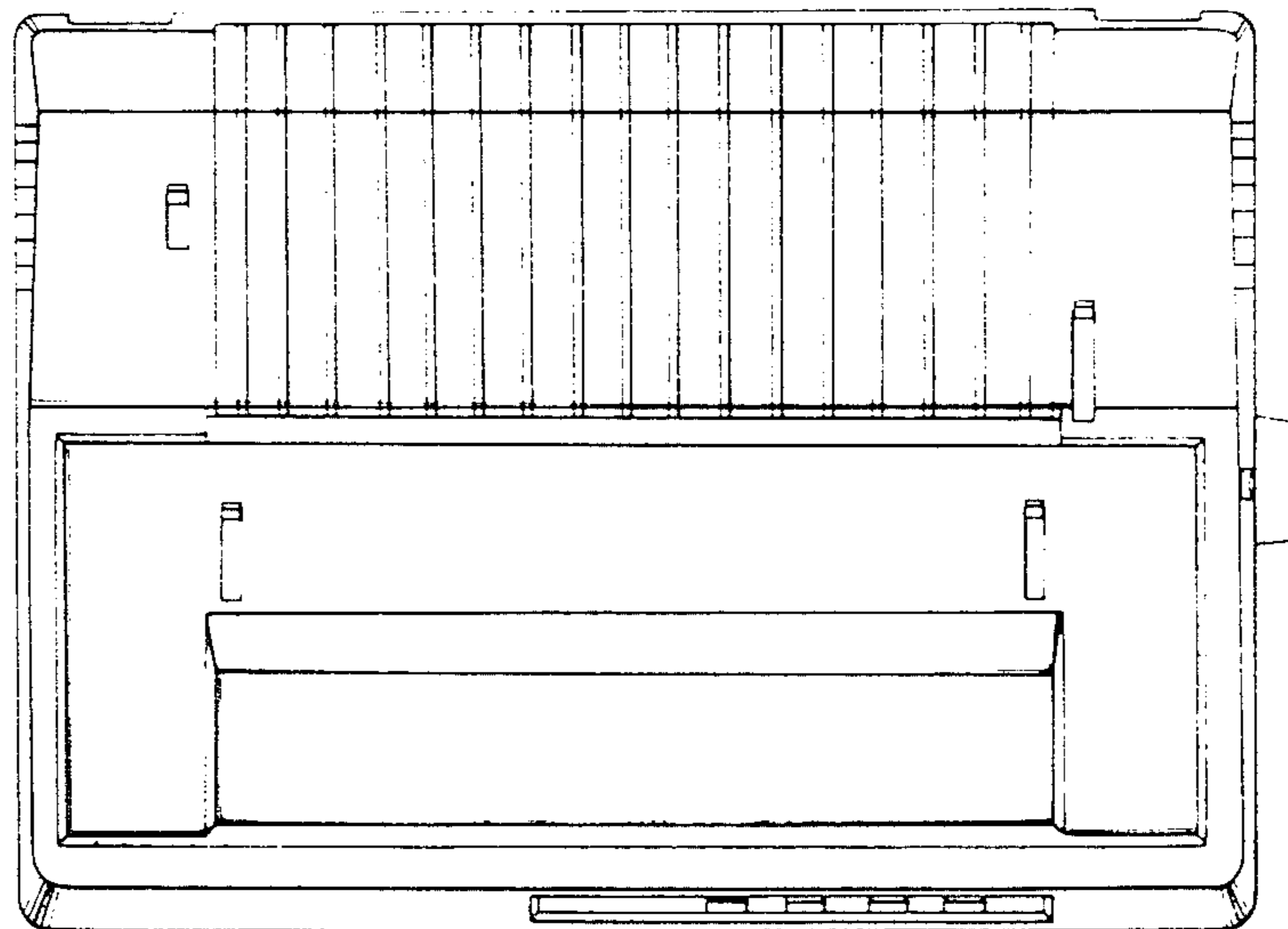


FIG. 3

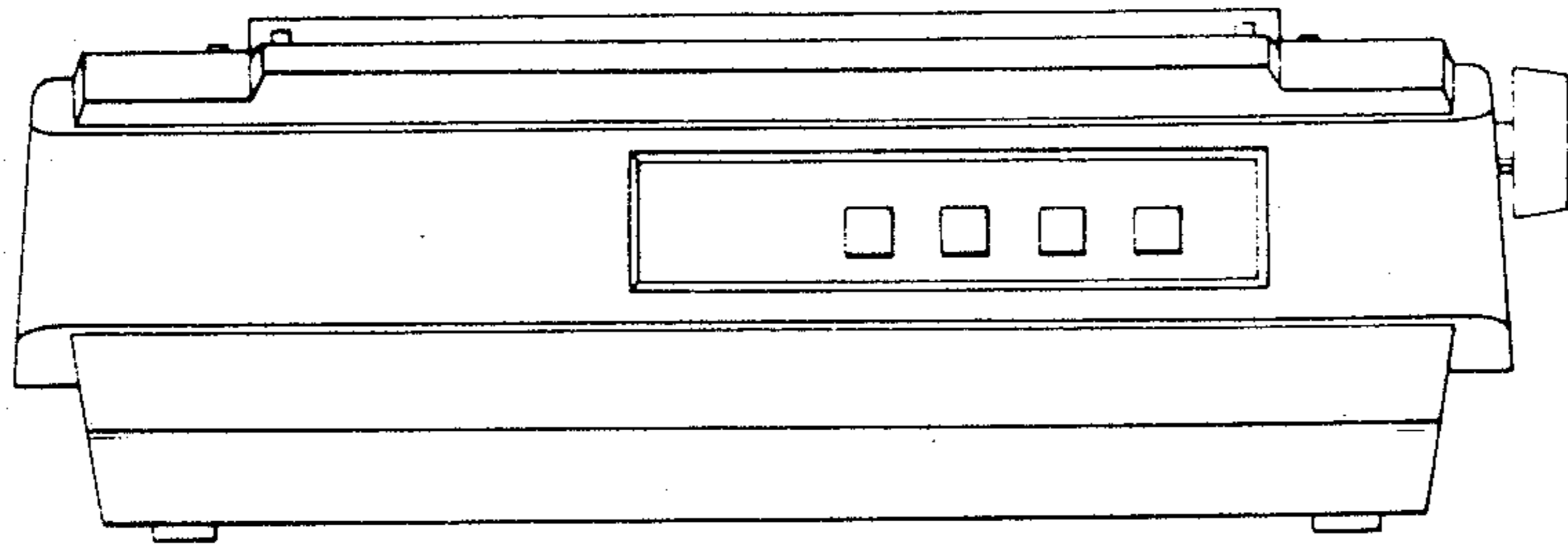


FIG. 4

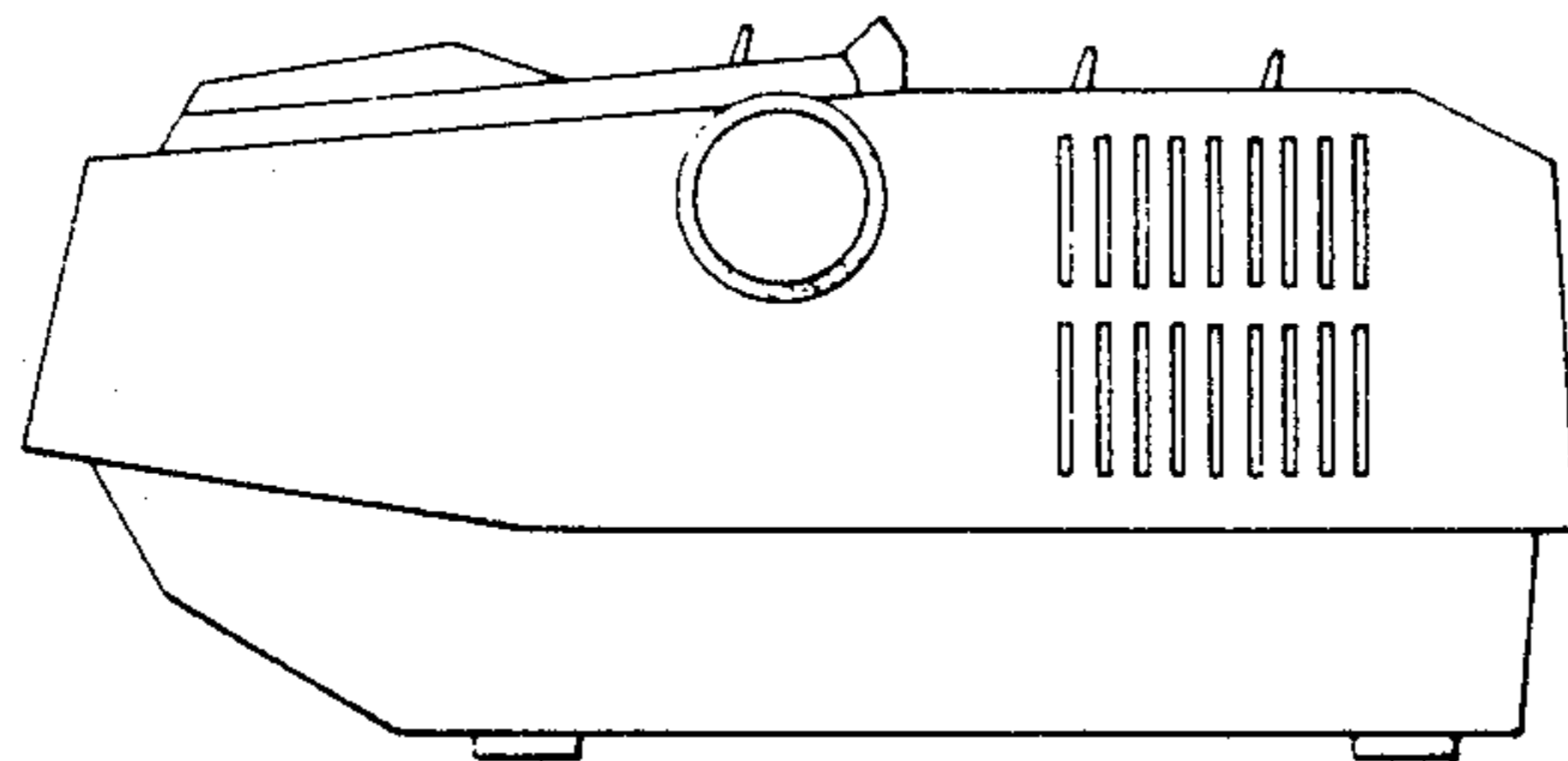


FIG. 5

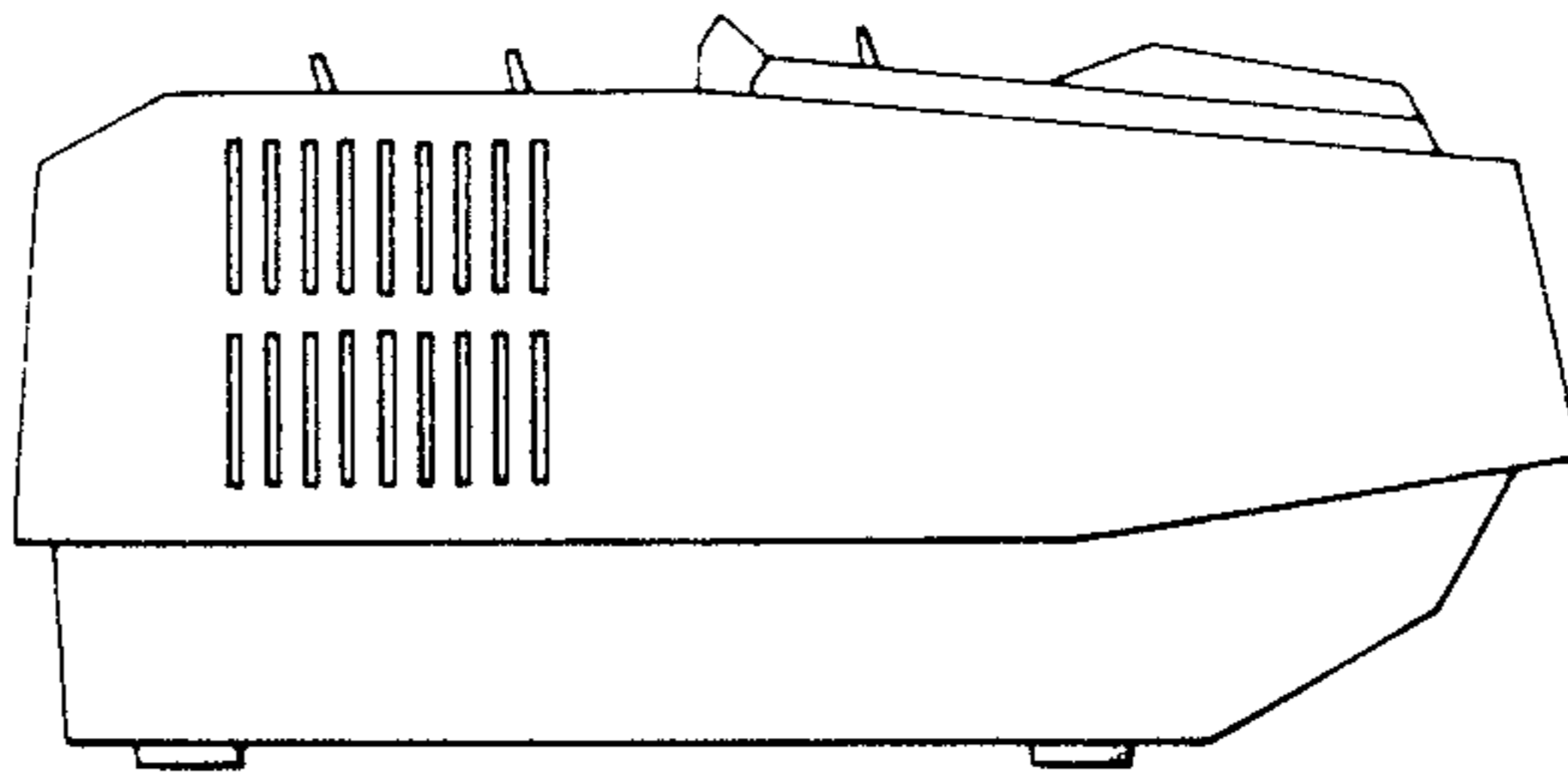


FIG. 6

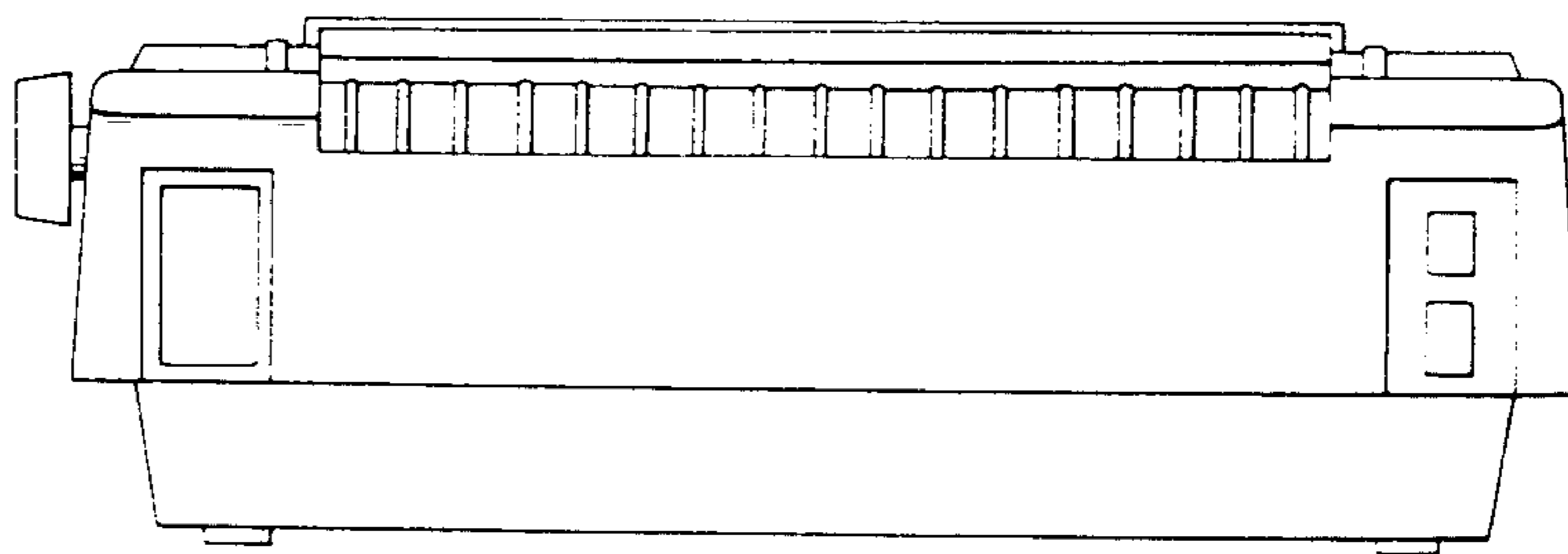


FIG. 7

