

[54] MICROFLOPPY DISK DRIVE

[75] Inventor: Daniel A. Baker, Dallas, Tex.

[73] Assignee: Percom Data Corporation, Dallas, Tex.

[\*\*] Term: 14 Years

[21] Appl. No.: 576,749

[22] Filed: Feb. 3, 1984

[52] U.S. Cl. .... D14/109

[58] Field of Search ..... D14/100, 107, 109, 114, D14/115; D13/40, 41

[56] References Cited

U.S. PATENT DOCUMENTS

D. 212,950 12/1968 Gruyé et al. .... D13/41

OTHER PUBLICATIONS

Computer Design, 4-1982, p. 274, Western Telematic, Inc. Mini-Floppy Terminal.

Computer Design, 6-1982, p. 89, ES Series Satellite Emulator.

Apple Computer Brochure, 11-1982, Apple III Disk Drive.

Primary Examiner—Susan J. Lucas

Attorney, Agent, or Firm—Jerry W. Mills; Gregory M. Howison

[57] CLAIM

The ornamental design for a microfloppy disk drive, as shown and described.

DESCRIPTION

FIG. 1 is a front perspective view of the microfloppy disk drive showing my new design;

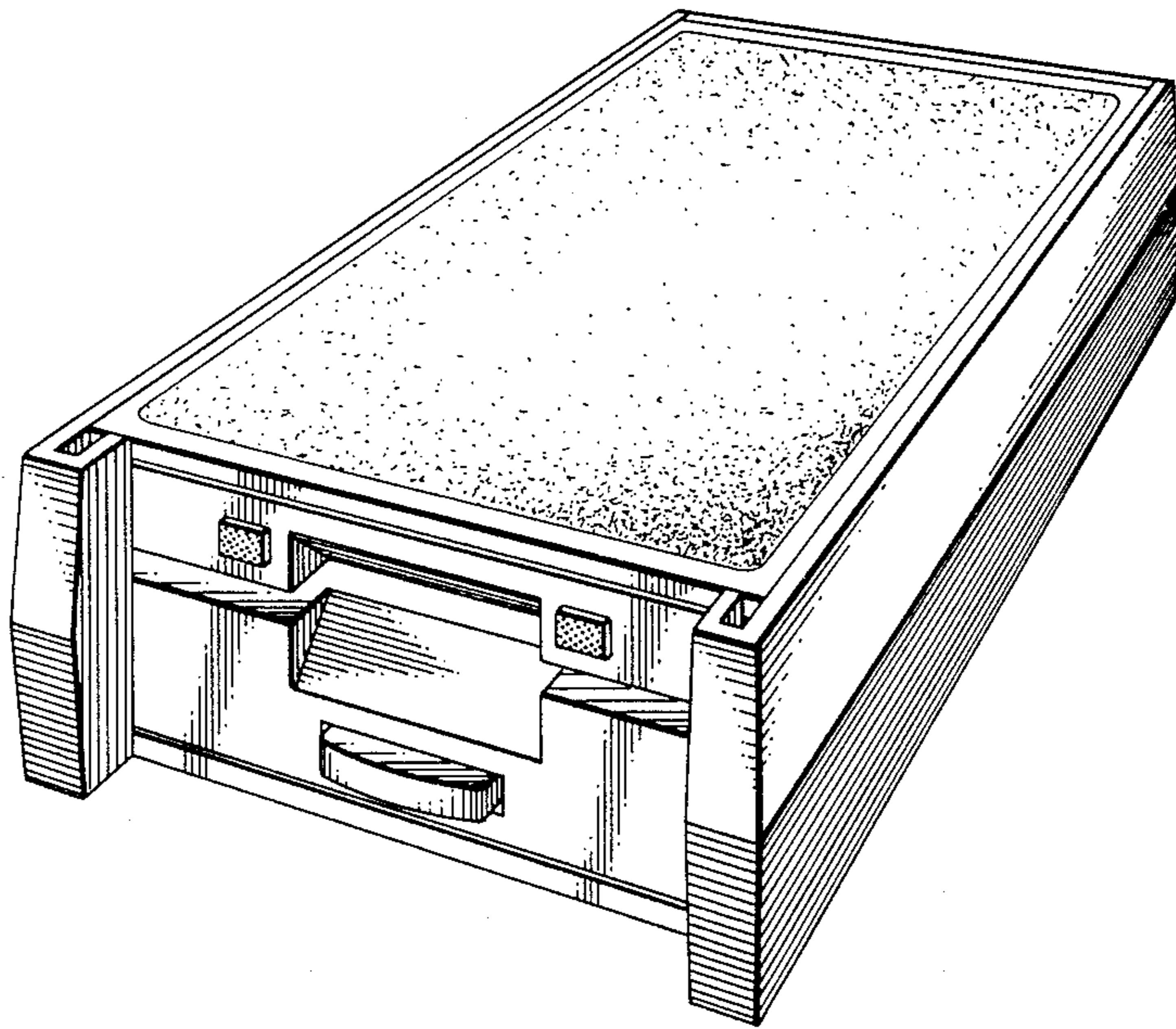
FIG. 2 is a front elevational view thereof on a reduced scale;

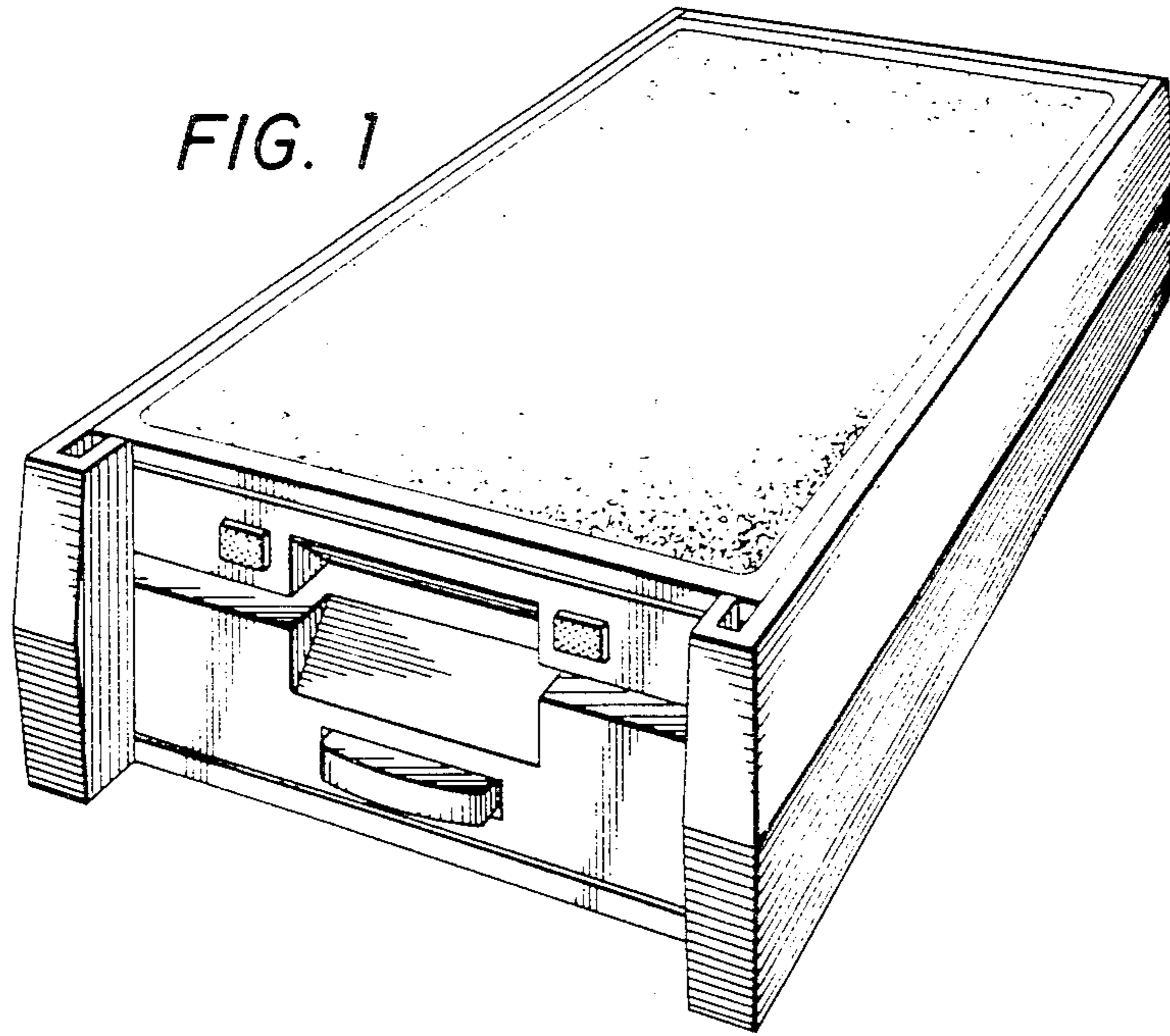
FIG. 3 is a rear elevational view thereof on a reduced scale;

FIG. 4 is a top plan view thereof on a reduced scale;

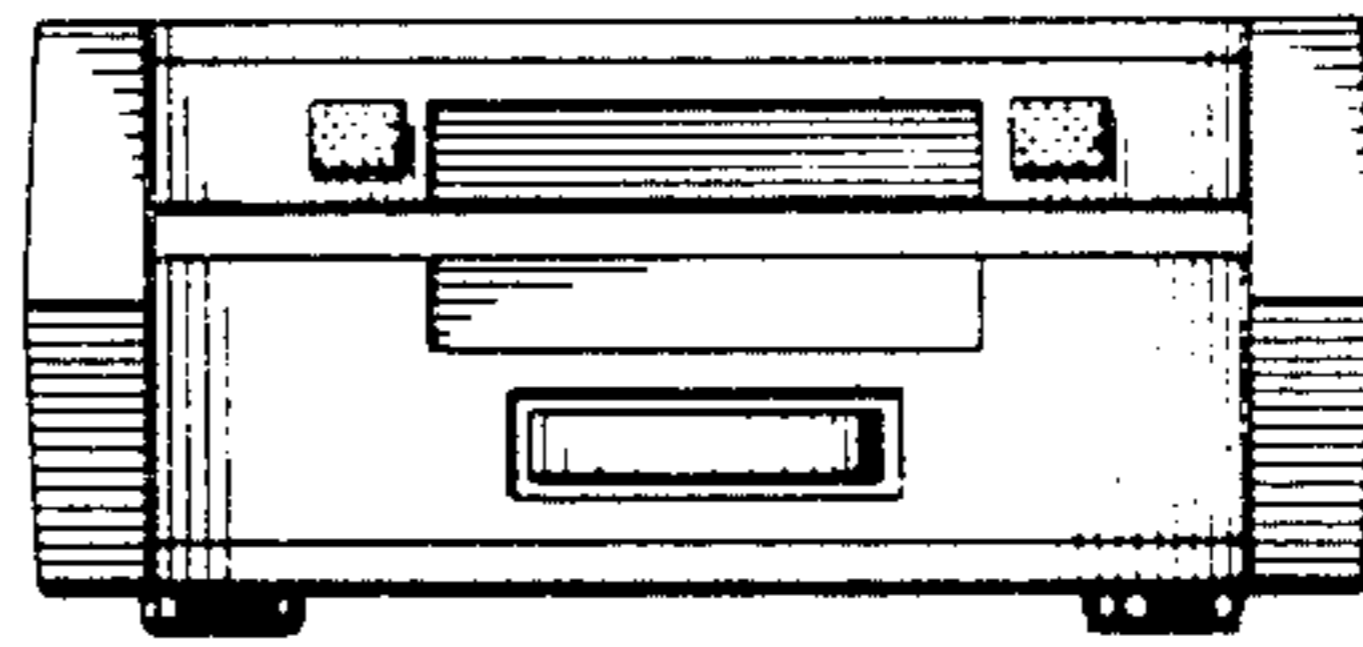
FIG. 5 is a side elevational view thereof on a reduced scale, the opposite side being a mirror image;

FIG. 6 is a bottom plan view thereof on a reduced scale.

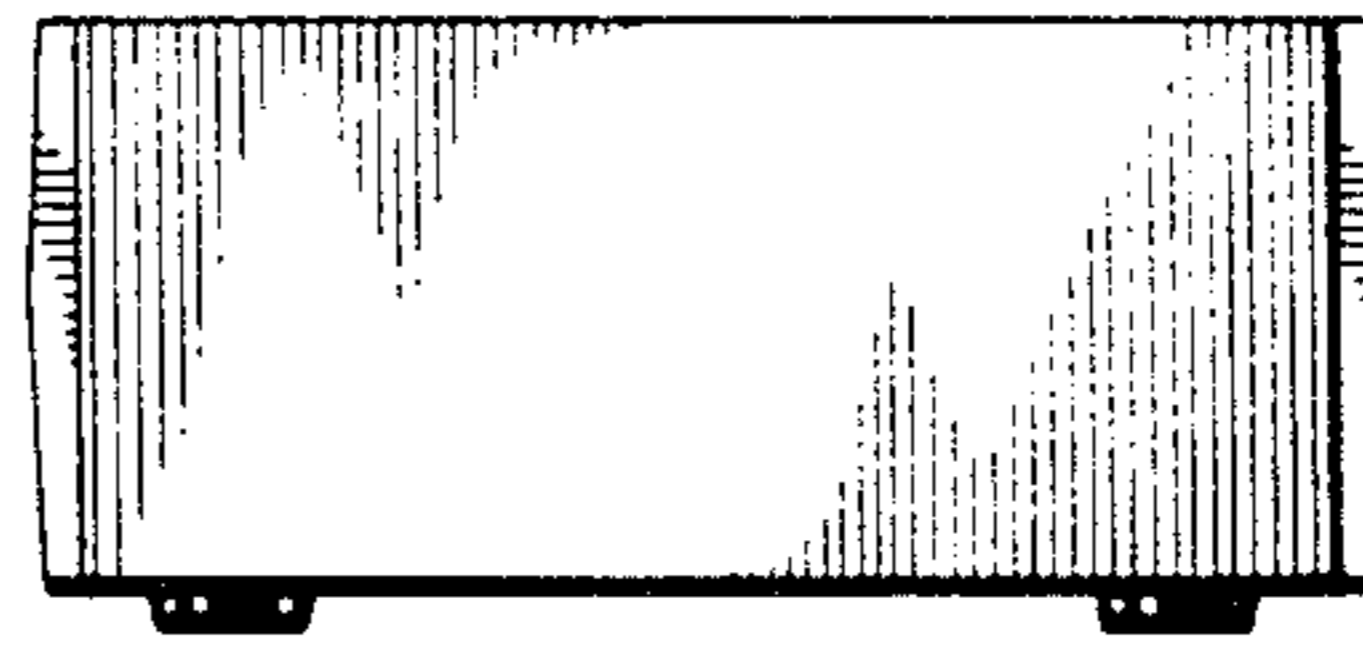




*FIG. 2*



*FIG. 3*



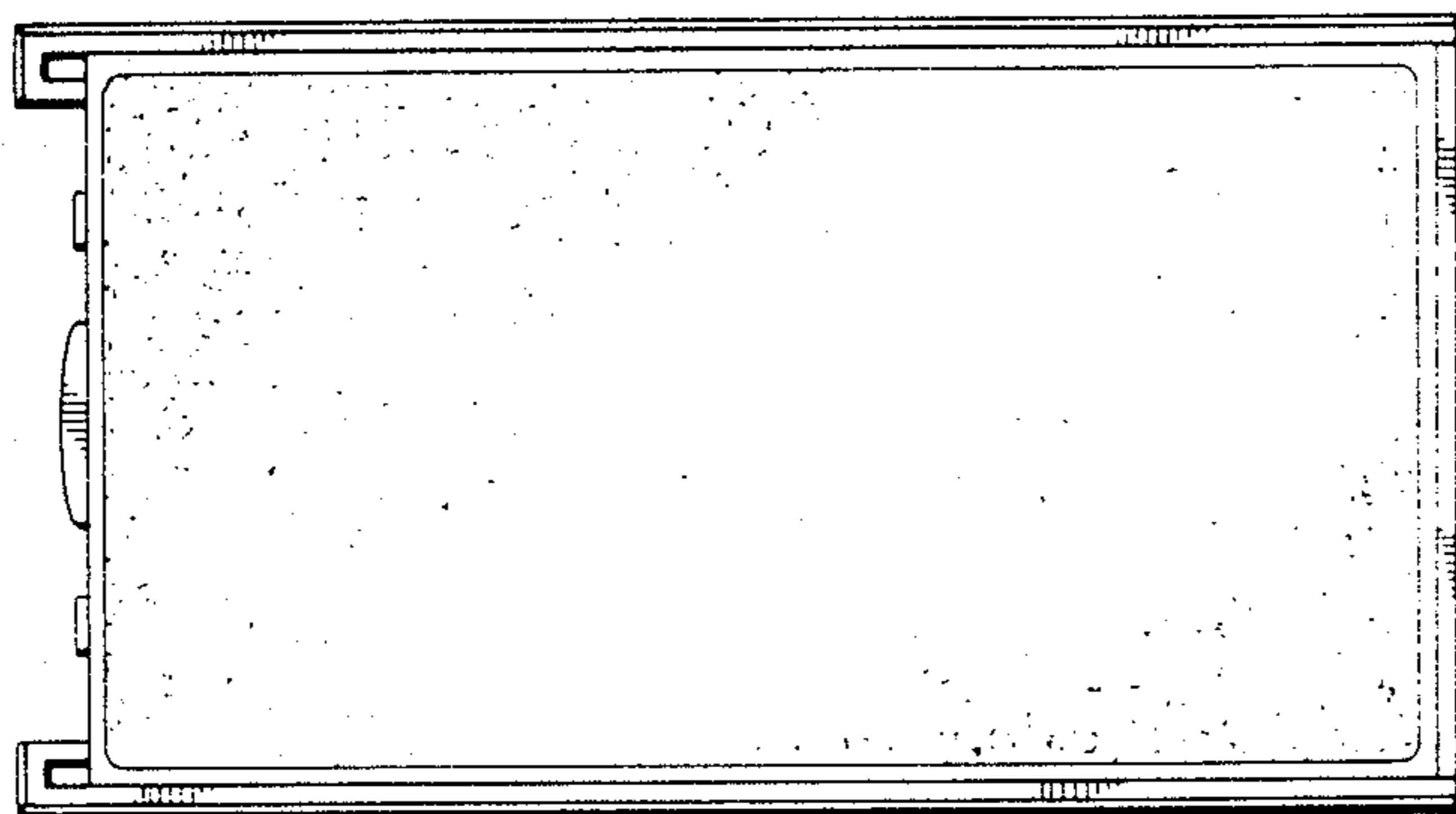


FIG. 4

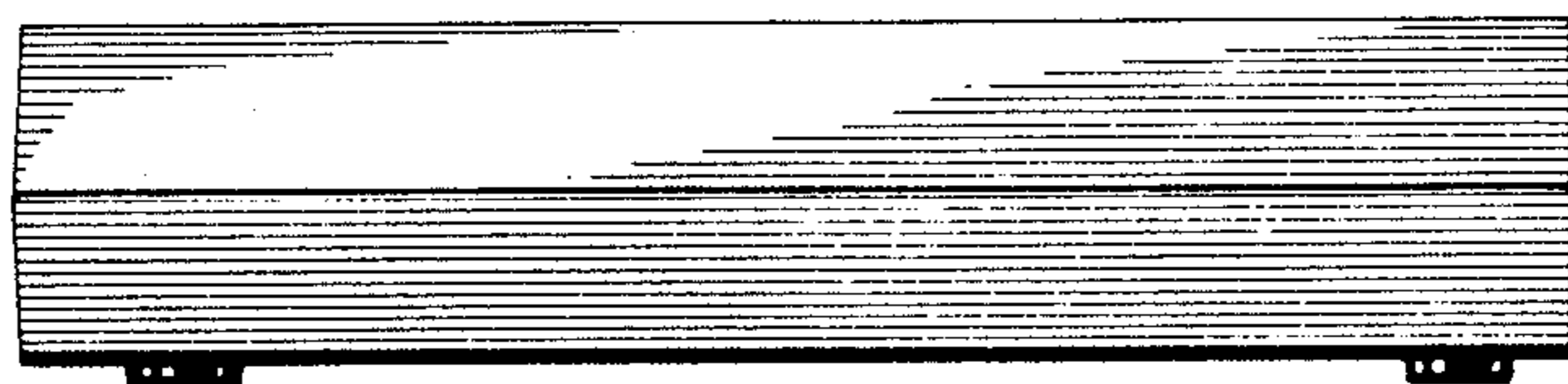


FIG. 5

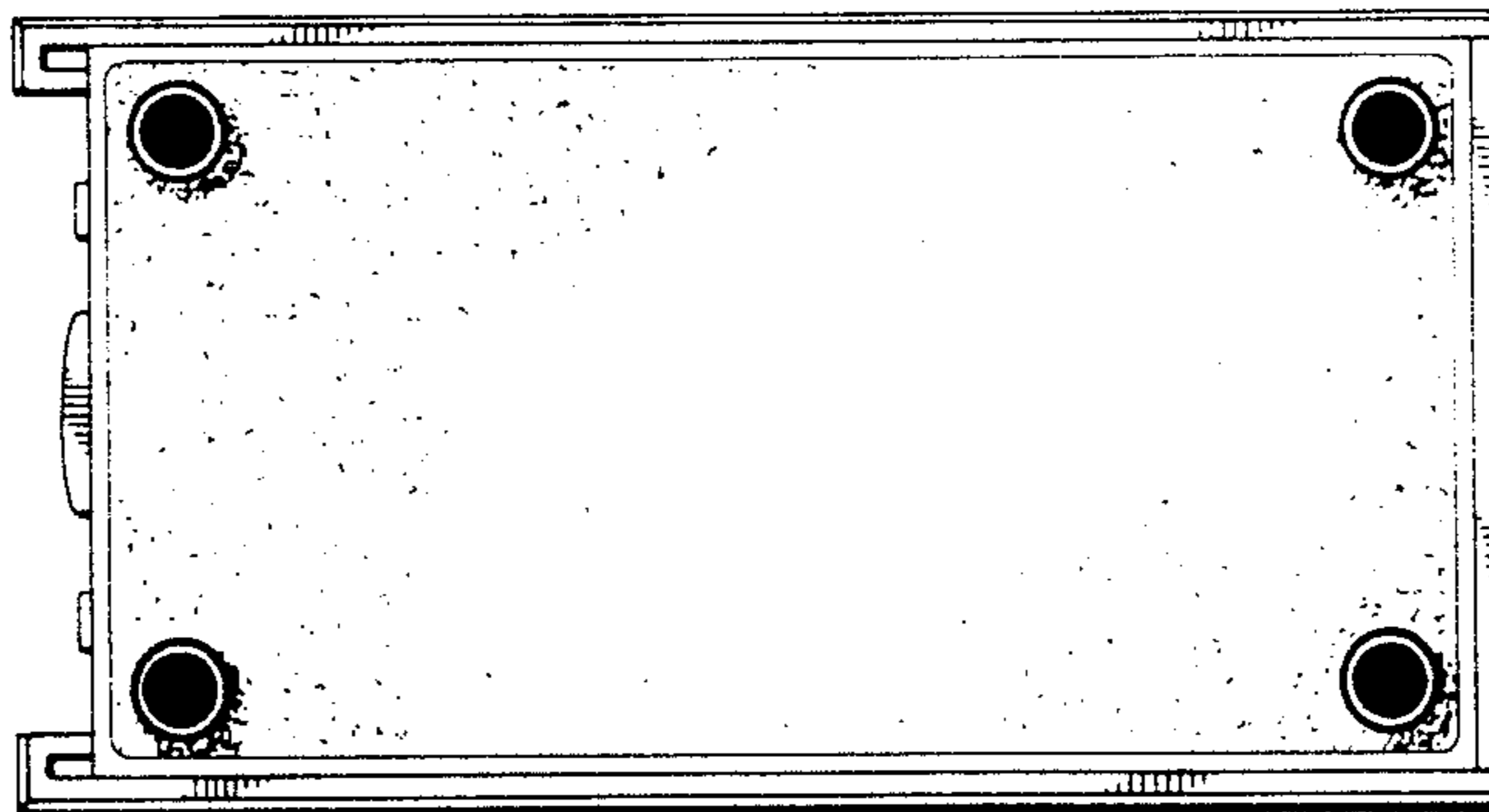


FIG. 6