

[54] **MICROWAVE FEED HORN**  
 [75] Inventors: **Frederic Fourcher**, Corona del Mar;  
**Daniel A. Bathker**, La Crescenta,  
 both of Calif.; **Thomas W. Cole**,  
 Arlington, Va.  
 [73] Assignee: **Miralite International, Inc.**, Santa  
 Ana, Calif.  
 [\*\*] Term: **14 Years**  
 [21] Appl. No.: **509,645**  
 [22] Filed: **Jun. 30, 1983**  
 [52] U.S. Cl. .... **D14/90**  
 [58] Field of Search ..... **D14/86, 88-91;**  
 343/786

3,209,361 9/1965 Webb .  
 3,218,096 11/1965 Press .  
 3,305,870 2/1967 Webb .  
 3,324,423 6/1967 Webb .  
 3,413,641 11/1968 Turrin .  
 3,413,642 11/1968 Cook .  
 3,553,707 1/1971 Yang et al. .  
 3,815,139 6/1974 Lewis et al. .  
 3,983,560 9/1976 MacDougall .  
 4,042,935 9/1977 Ajoika et al. .  
 4,168,504 9/1979 Davis ..... 343/786  
 4,380,014 4/1983 Howard ..... 343/786

*Primary Examiner*—Jane E. Corrigan  
*Attorney, Agent, or Firm*—Sixbey, Friedman & Leedom

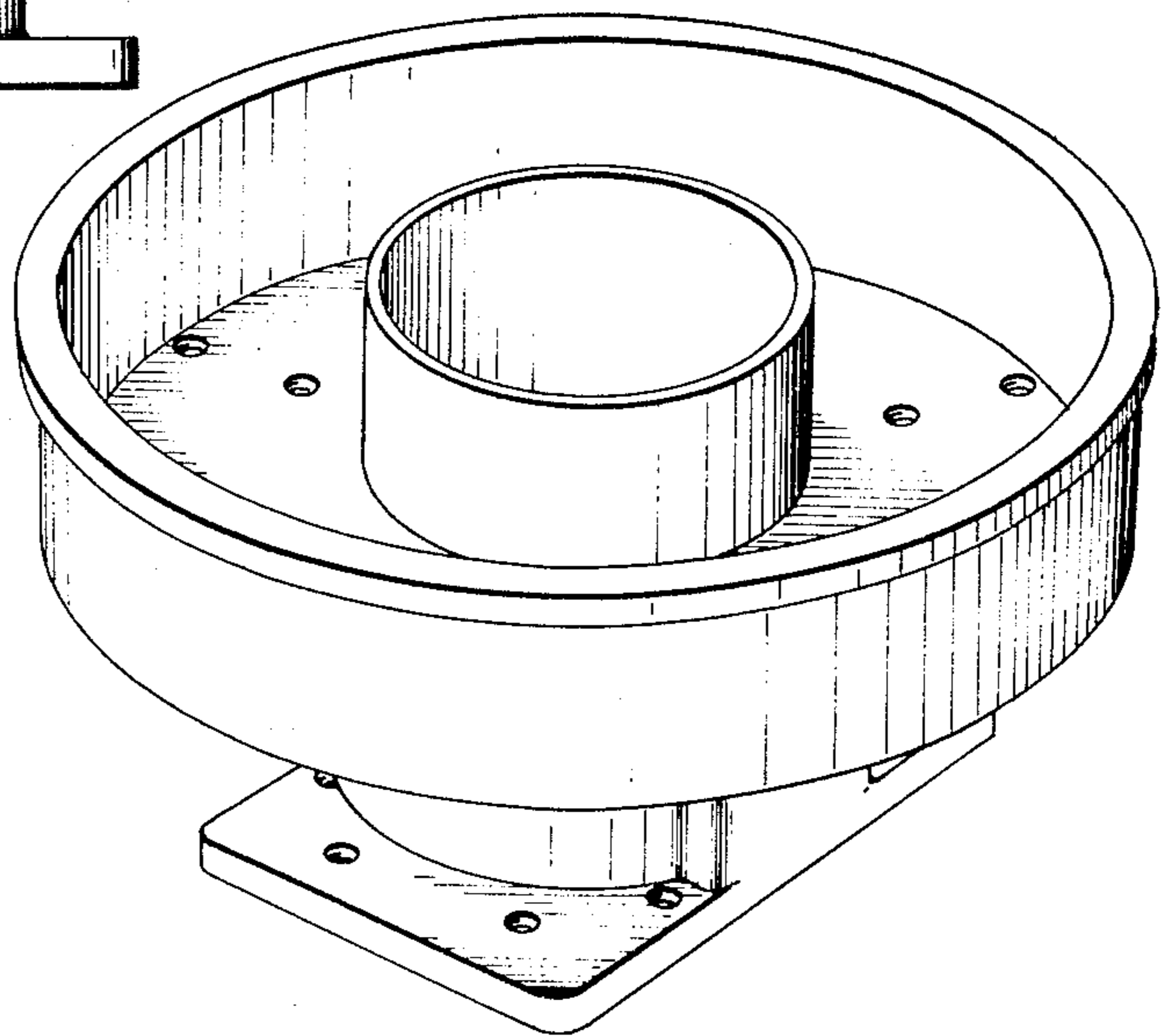
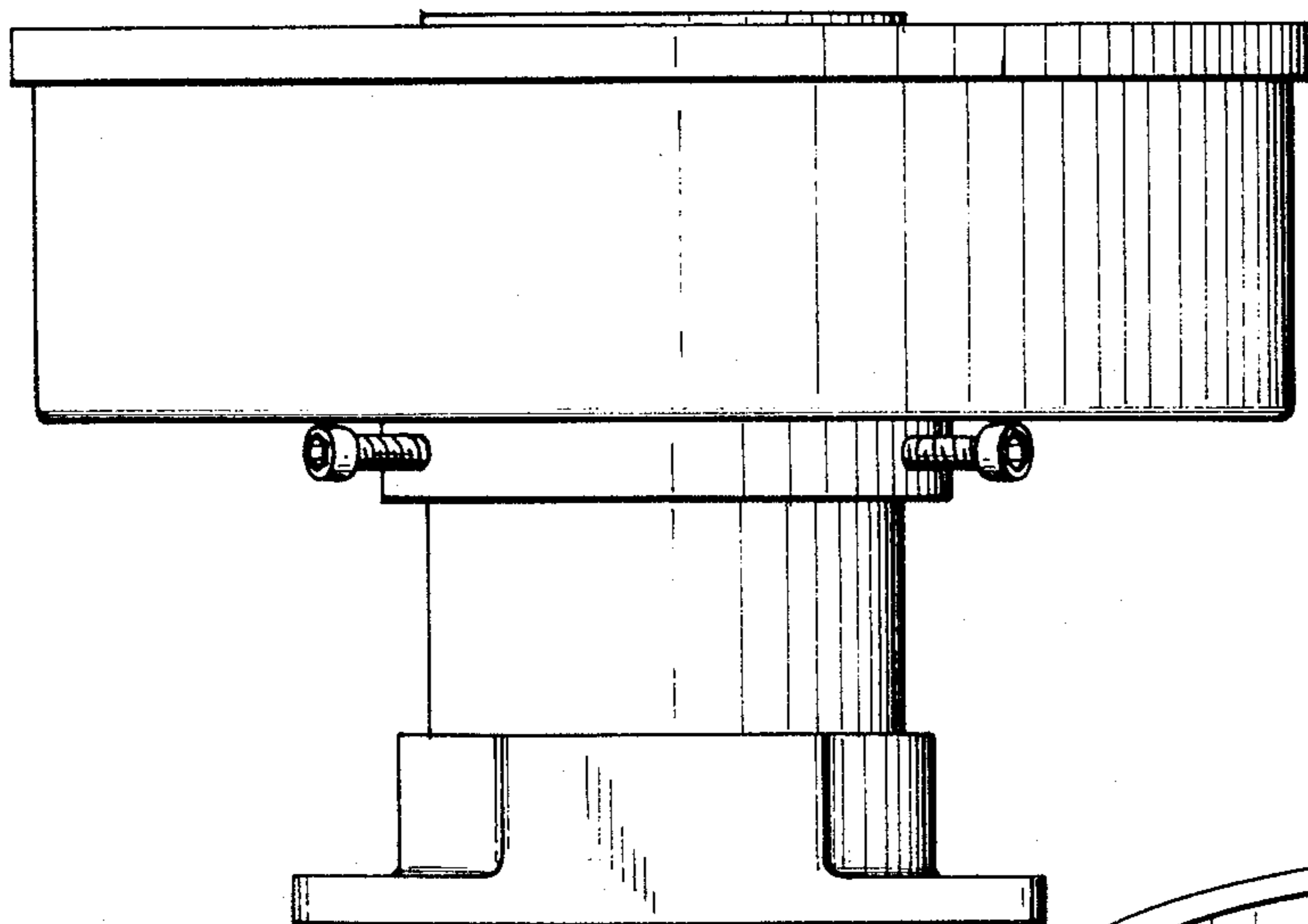
[57] **CLAIM**

The ornamental design for a microwave feed horn, as shown and described.

[56] **References Cited**  
**U.S. PATENT DOCUMENTS**  
 D. 272,910 3/1984 Taggart et al. .... D14/90  
 2,283,935 5/1942 King .  
 2,460,869 2/1949 Braden .  
 2,743,440 4/1956 Riblet ..... 343/786 X  
 2,825,060 2/1958 Ruze ..... 343/786  
 3,209,360 9/1965 Schuster .

**DESCRIPTION**

FIG. 1 is a top perspective view of a microwave feed horn showing our new design;  
 FIG. 2 is a top plan view;  
 FIG. 3 is a side elevational view;  
 FIG. 4 is an end elevational view, and  
 FIG. 5 is a bottom plan view.



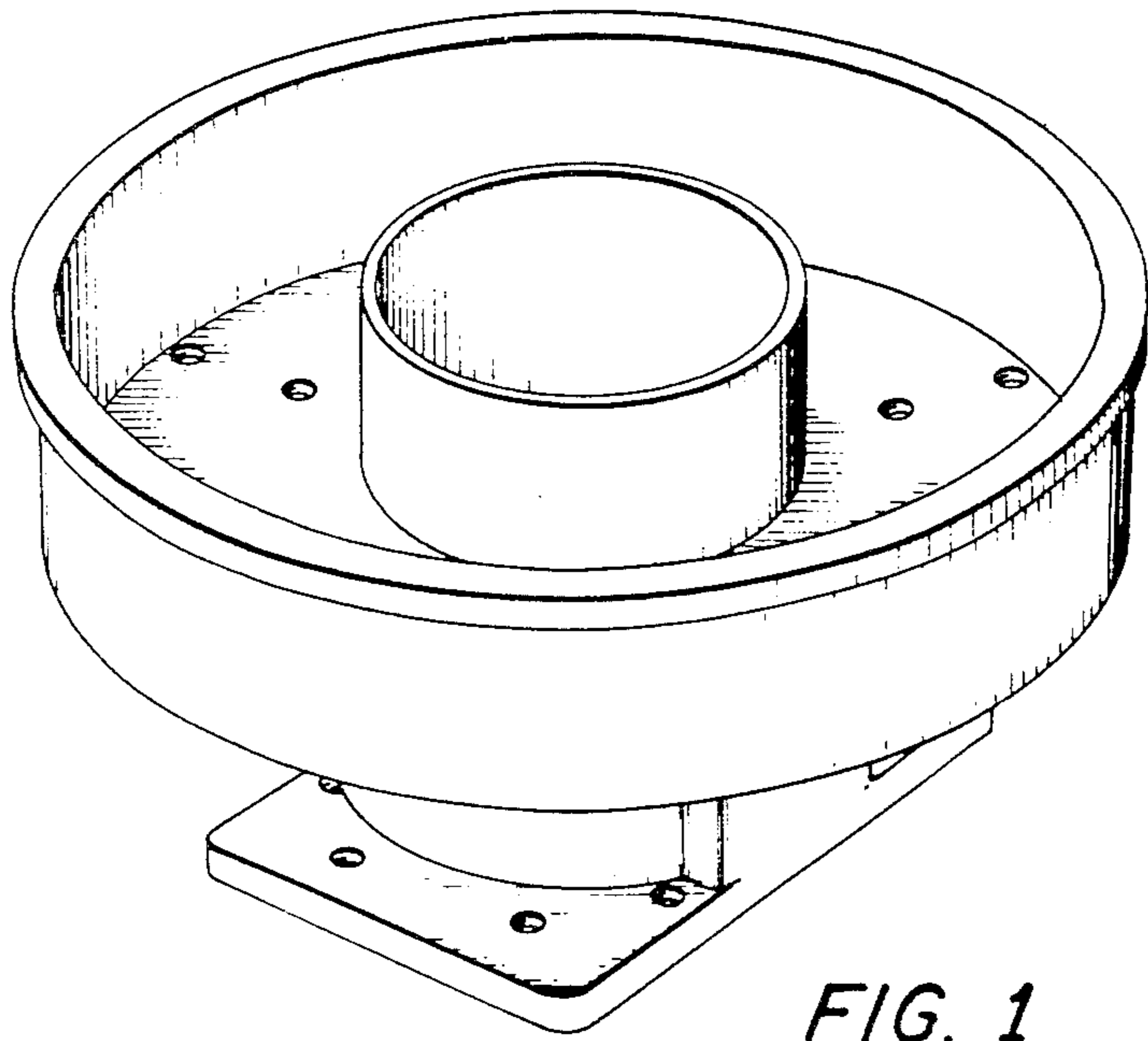


FIG. 1

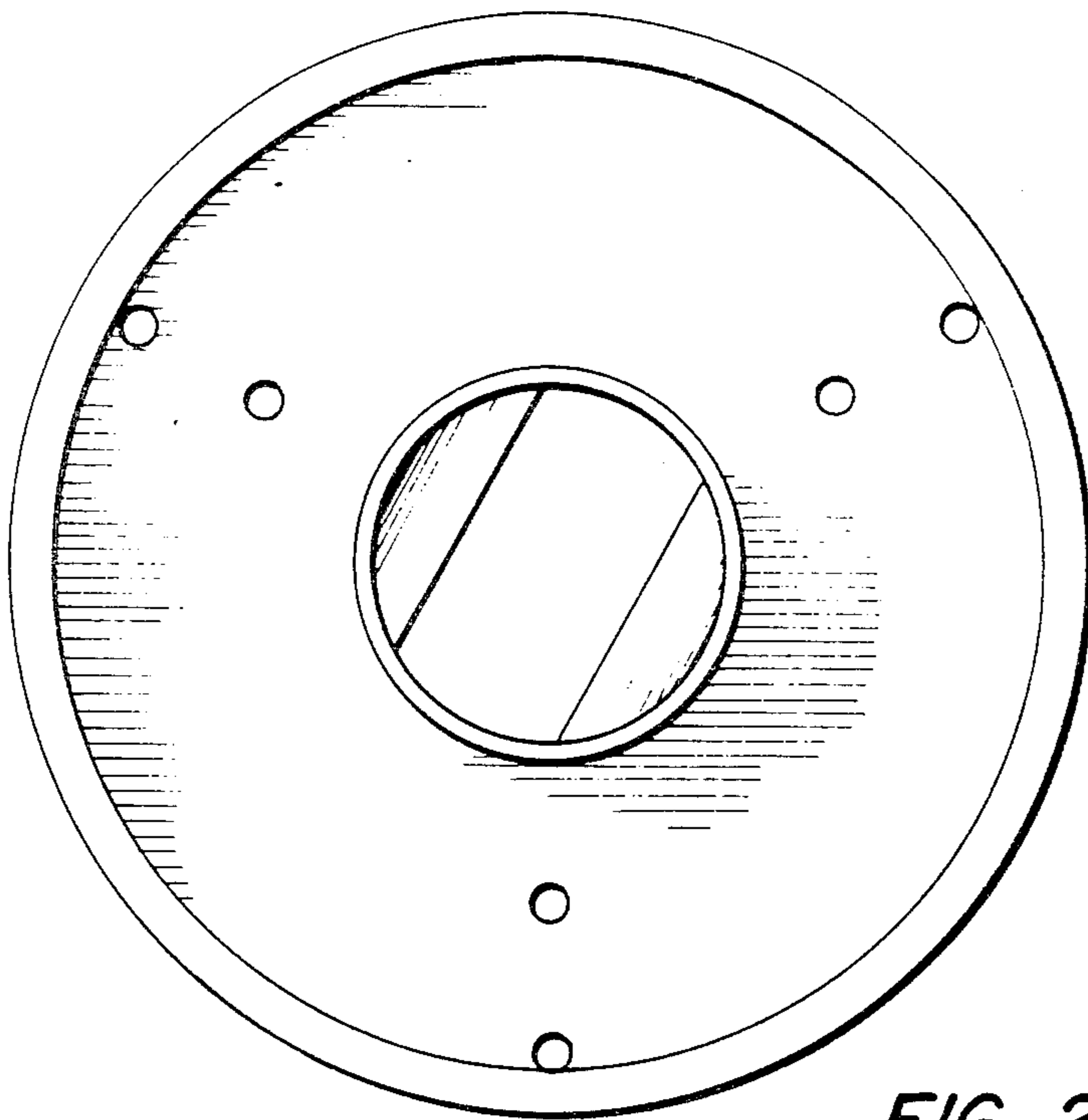


FIG. 2

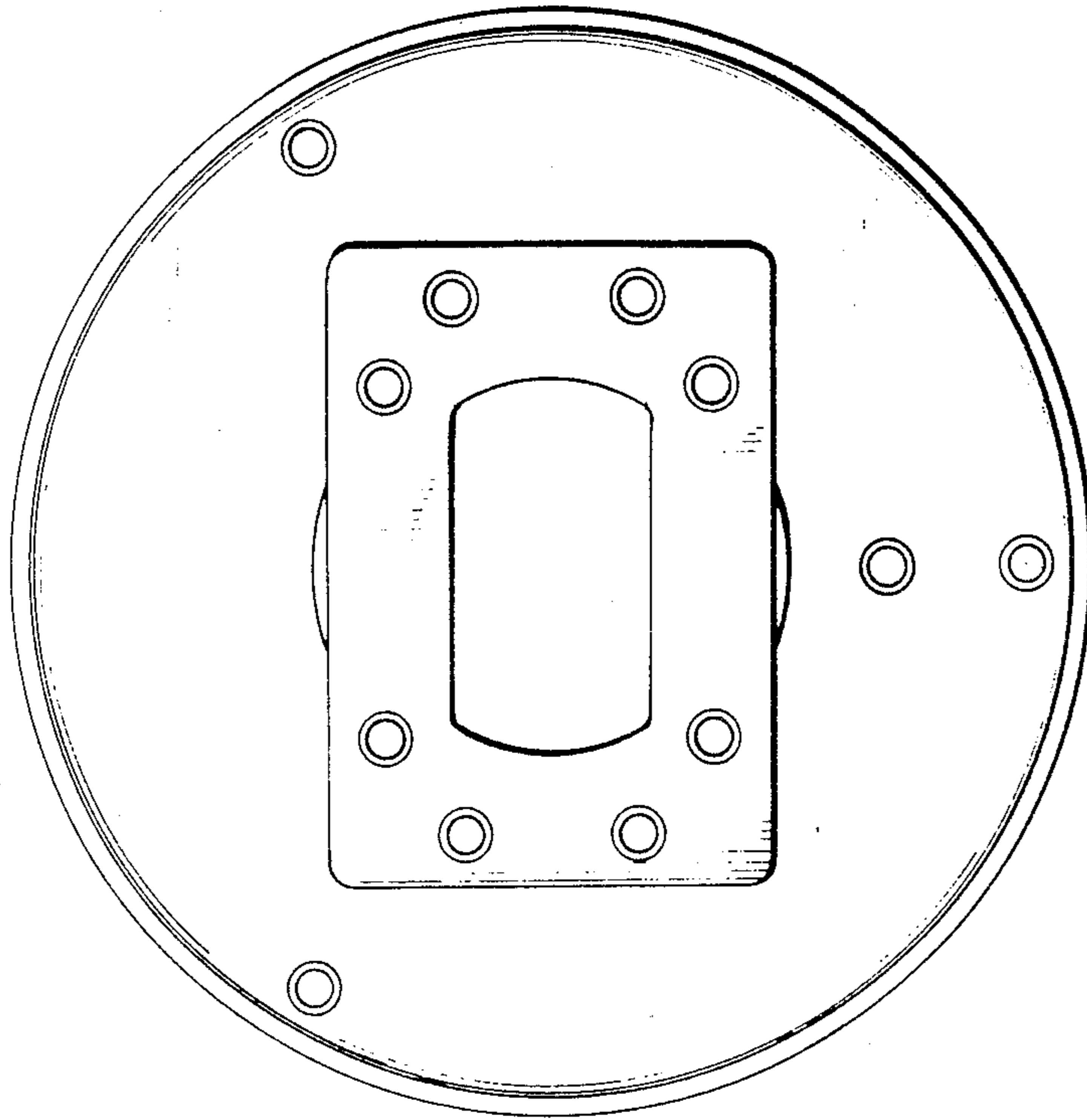


FIG. 5

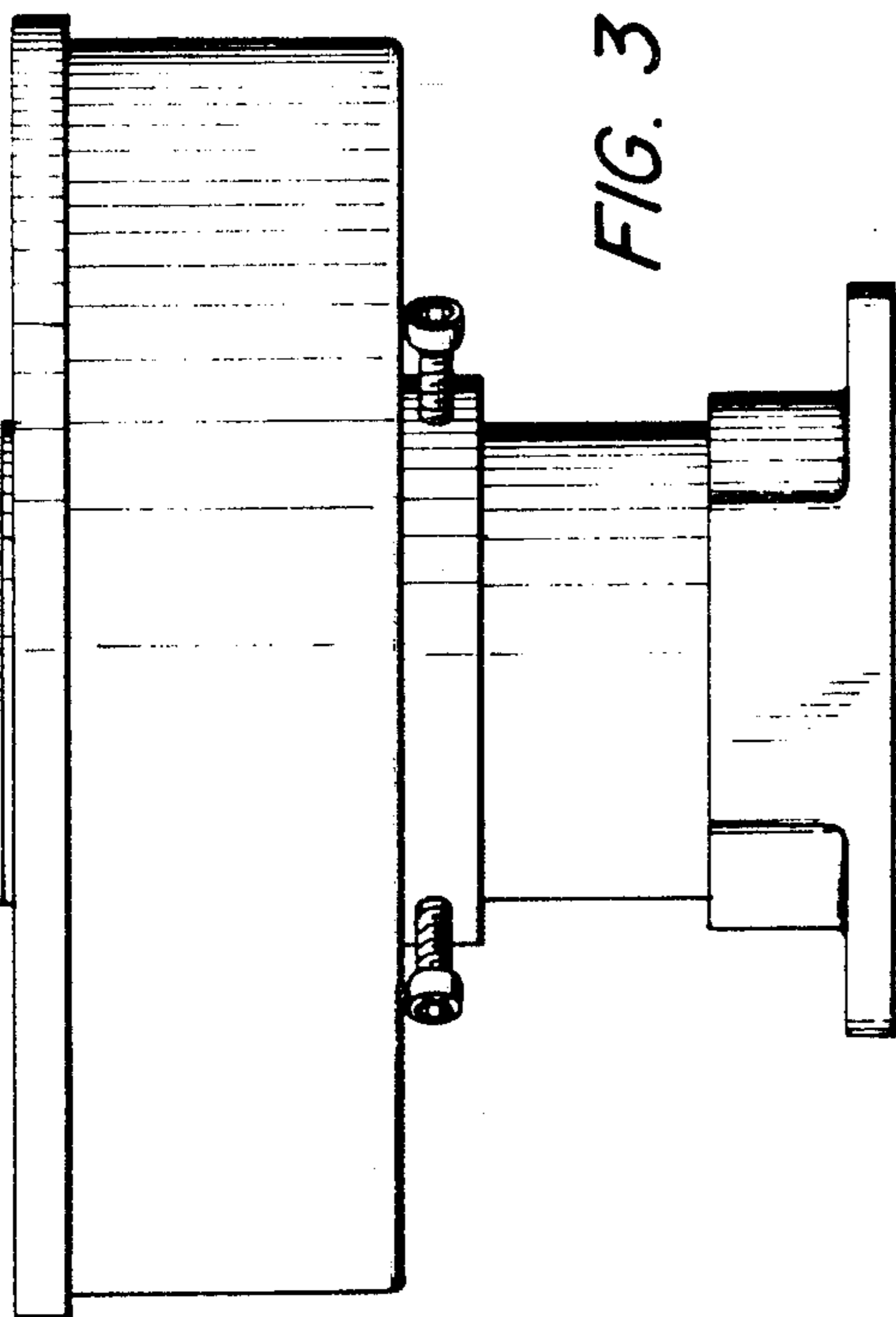


FIG. 3

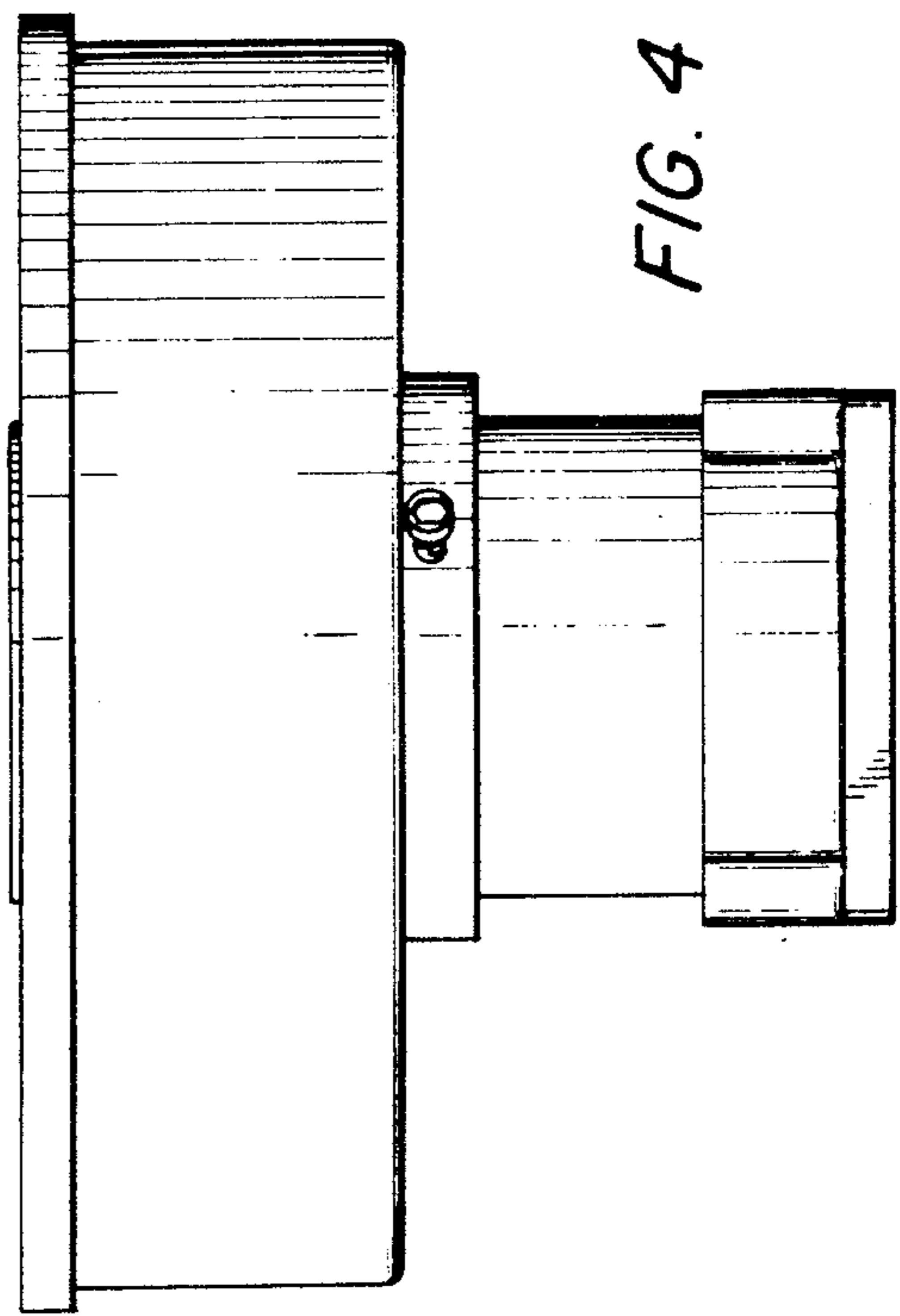


FIG. 4