

[54] FLUORESCENT LAMP HOLDER

933525 9/1955 Fed. Rep. of Germany 339/50 S
708650 5/1954 United Kingdom 339/53

[75] Inventors: Klaus Oesterheld, Woodside;
Michael Franovic, Forest Hills;
Carlos Martinez, Brooklyn, all of
N.Y.

OTHER PUBLICATIONS

Fluorescent Lamp Holders, photographs.

Primary Examiner—Susan J. Lucas
Attorney, Agent, or Firm—Joseph P. Abate

[73] Assignee: North American Philips Corporation,
New York, N.Y.

[57] CLAIM

[**] Term: 14 Years

The ornamental design for a fluorescent lamp holder, as
shown and described.

[21] Appl. No.: 682,489

[22] Filed: Dec. 17, 1984

DESCRIPTION

Related U.S. Application Data

[63] Continuation of Ser. No. 425,218, Sep. 28, 1982, aban-
doned.

[52] U.S. Cl. D13/25

[58] Field of Search D13/24, 25; 313/315,
313/318; 339/50-57

FIG. 1 is a top, front and left-side perspective view of a
fluorescent lamp holder showing our new design;
FIG. 2 is a front elevational view thereof, the rear ele-
vational view being identical;
FIG. 3 is a left-side elevational view thereof, the right-
side elevational view being identical;
FIG. 4 is a top plan view thereof;
FIG. 5 is a bottom plan view thereof;
FIG. 6 is a top, front and left side perspective view of a
second embodiment of our new design;
FIG. 7 is a front elevational view thereof, the rear ele-
vational view being identical;
FIG. 8 is a left-side elevational view thereof, the right-
side elevational view being identical;
FIG. 9 is a top plan view thereof; and
FIG. 10 is a bottom plan view thereof.

[56] References Cited

U.S. PATENT DOCUMENTS

D. 152,275 1/1949 Ludwig D13/25 X
2,653,303 9/1953 Van Werd 339/50 R
3,169,815 2/1965 Lennox 339/52 S

FOREIGN PATENT DOCUMENTS

493721 6/1950 Belgium 339/50 R

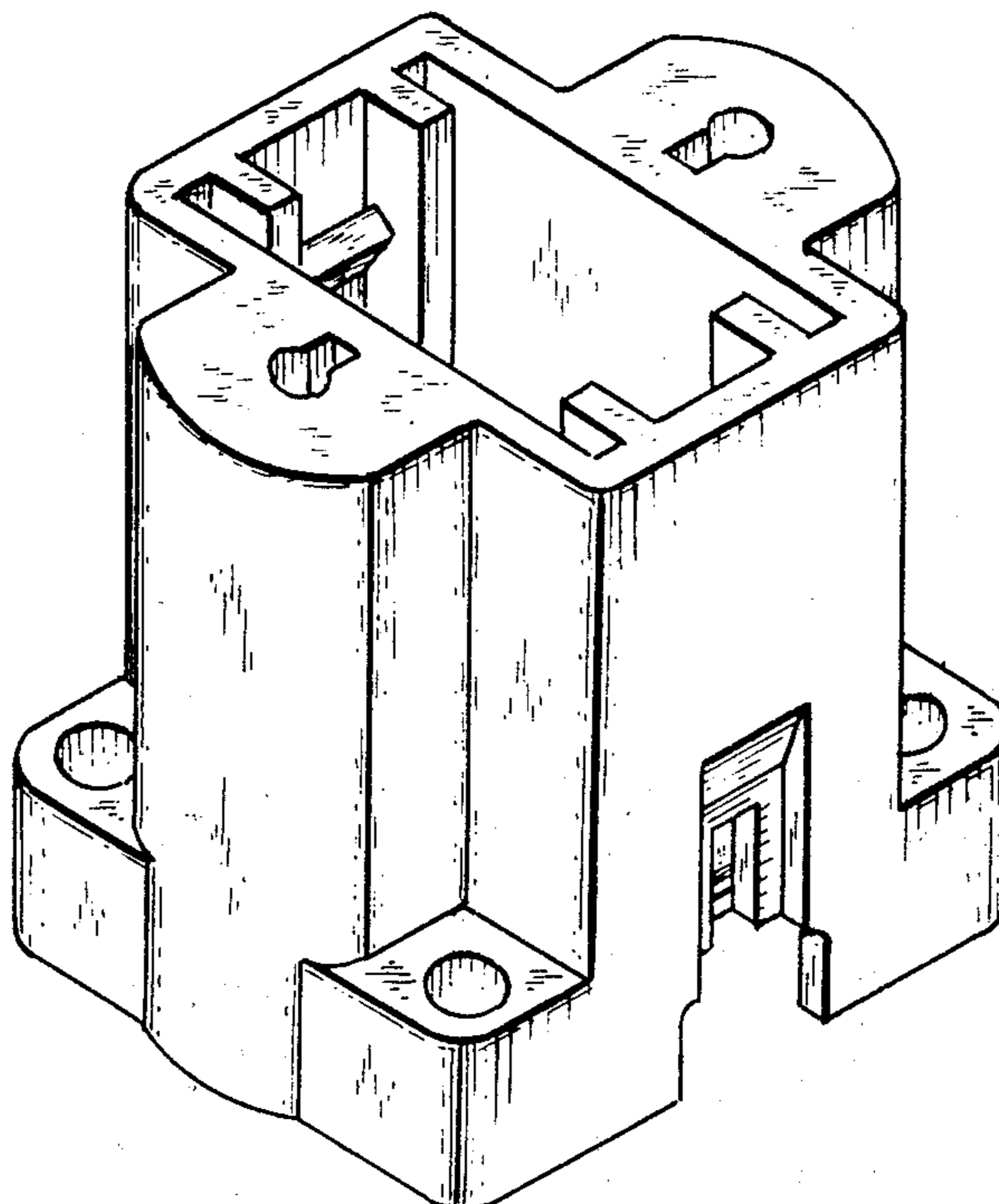


FIG. 1.

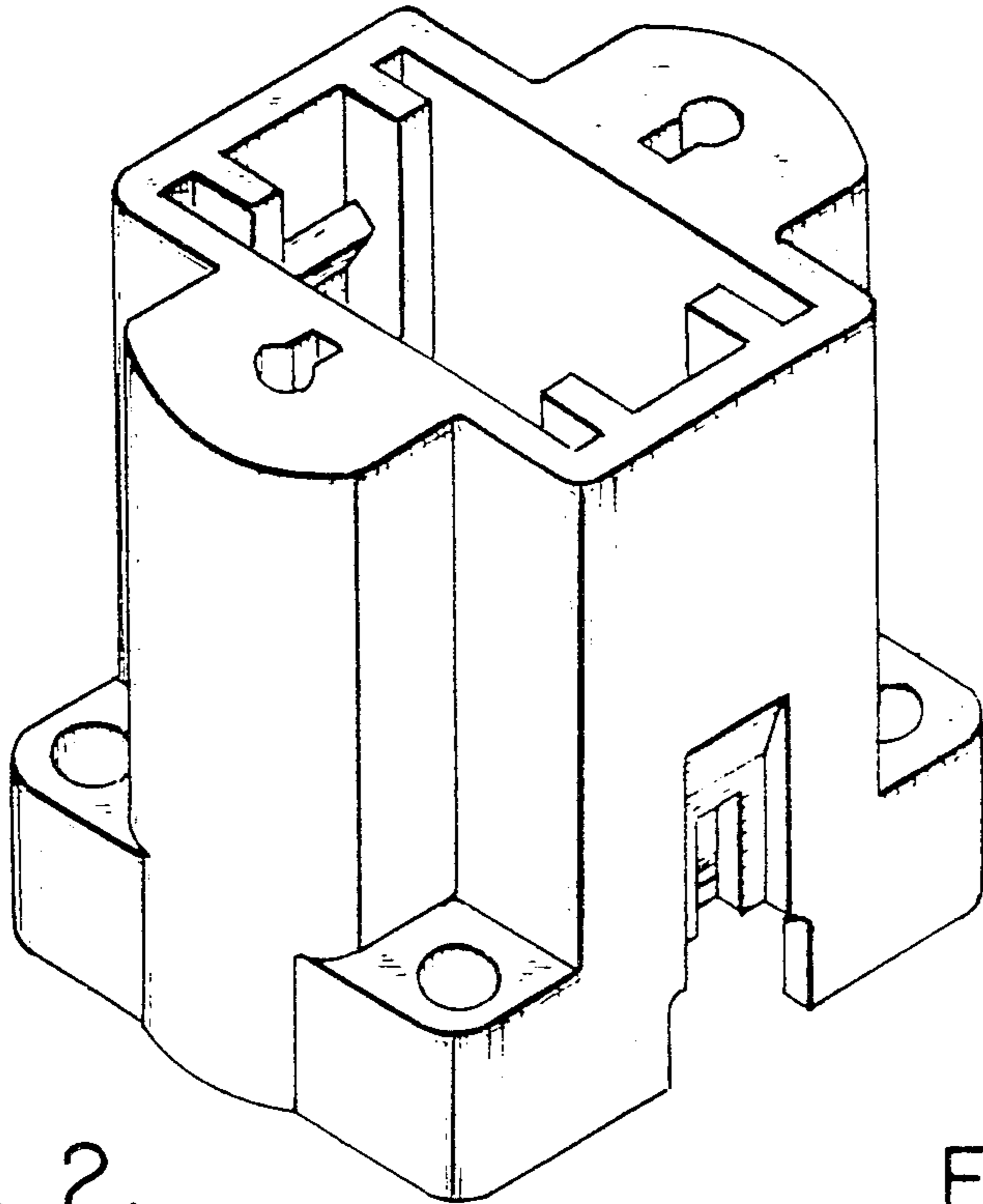


FIG. 2.

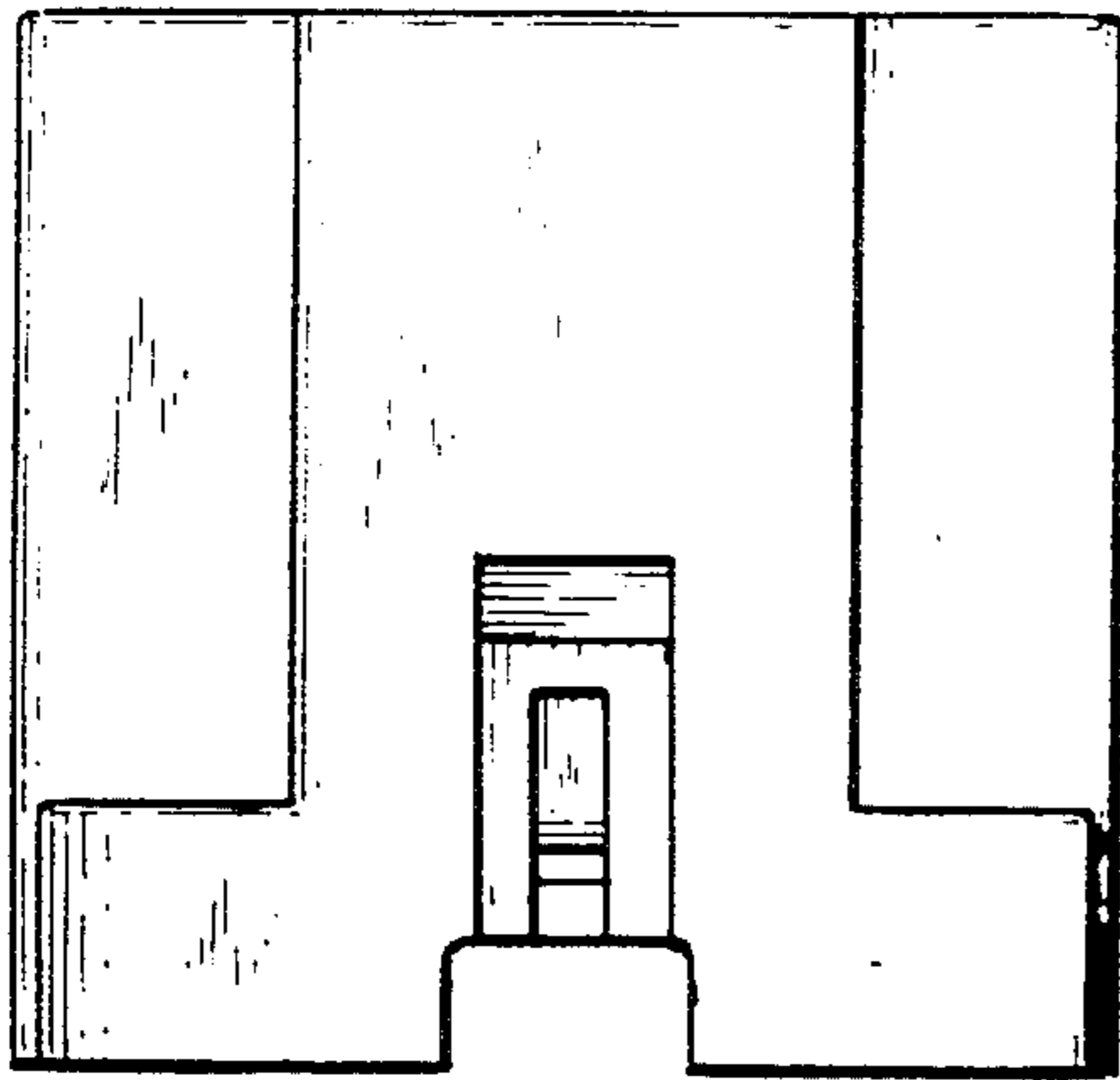


FIG. 3.

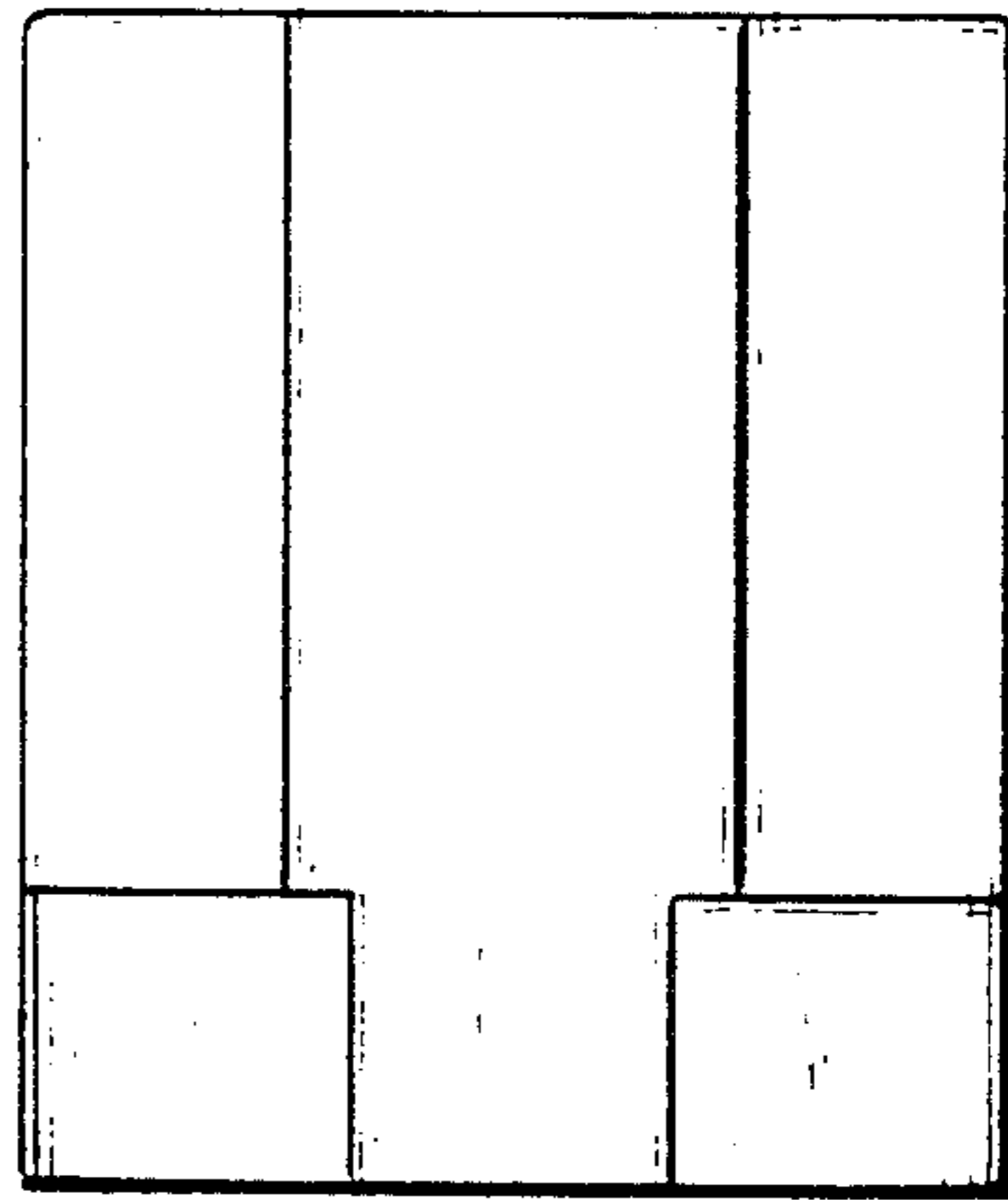


FIG. 4.

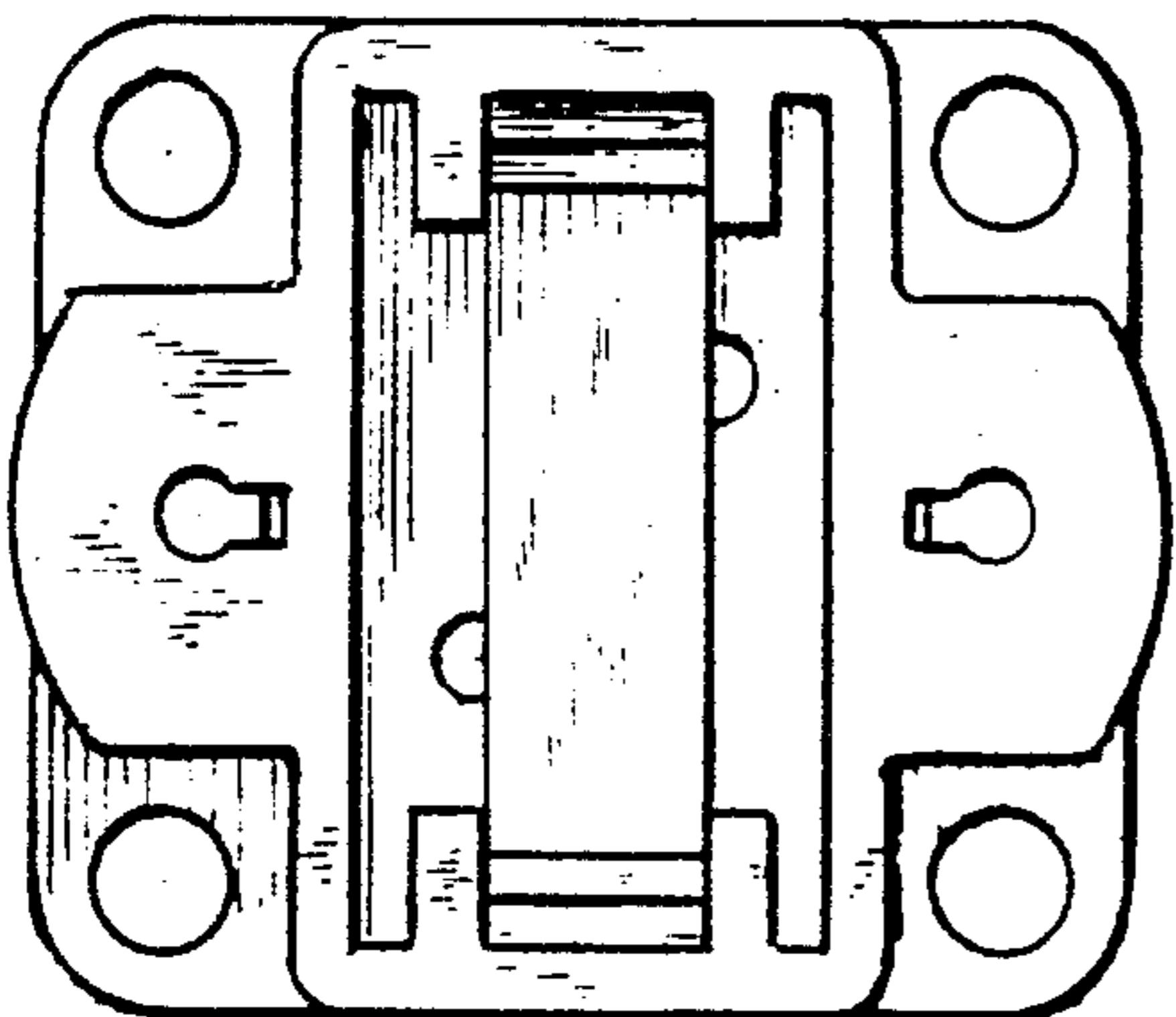


FIG. 5.

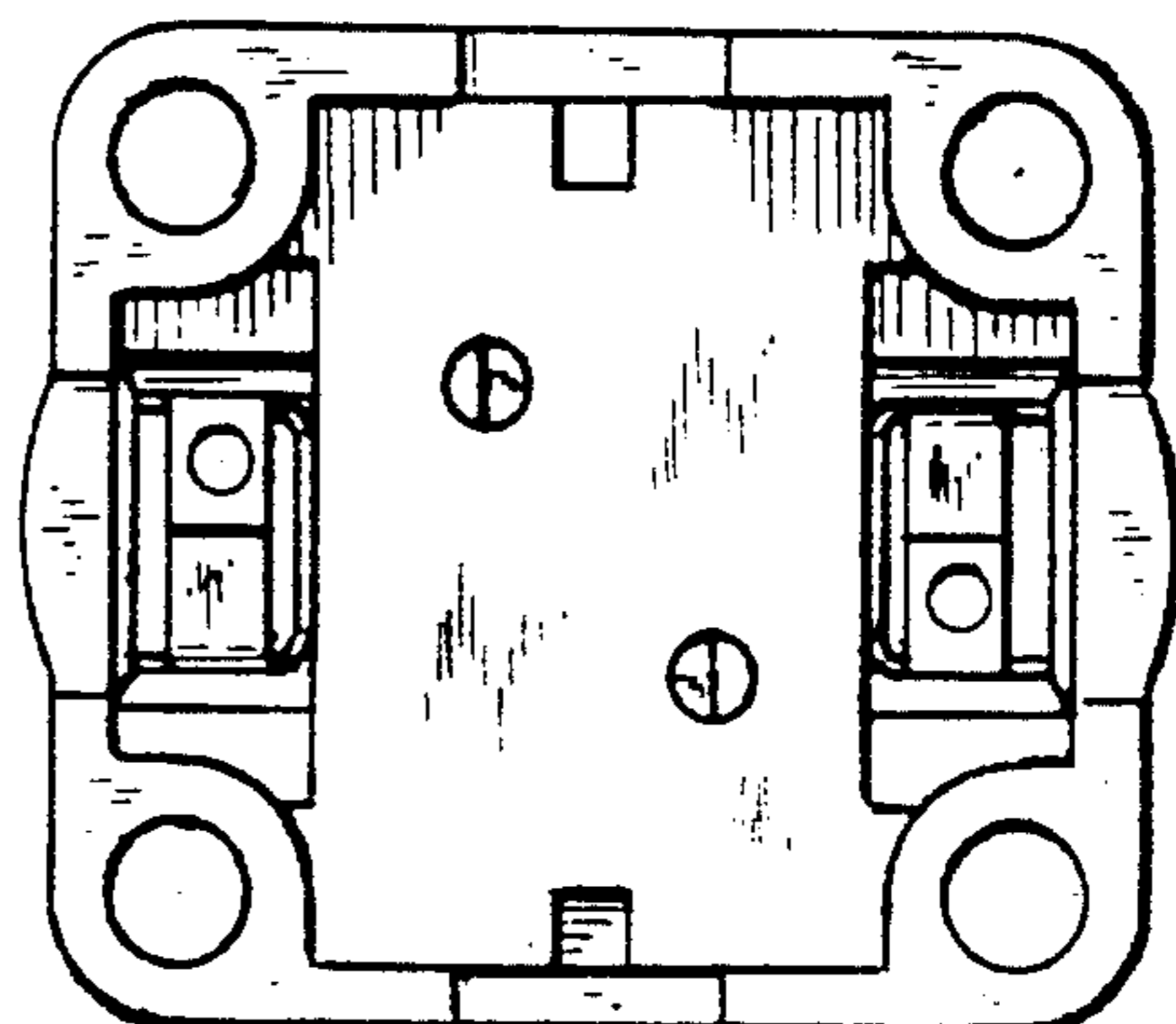


FIG. 6.

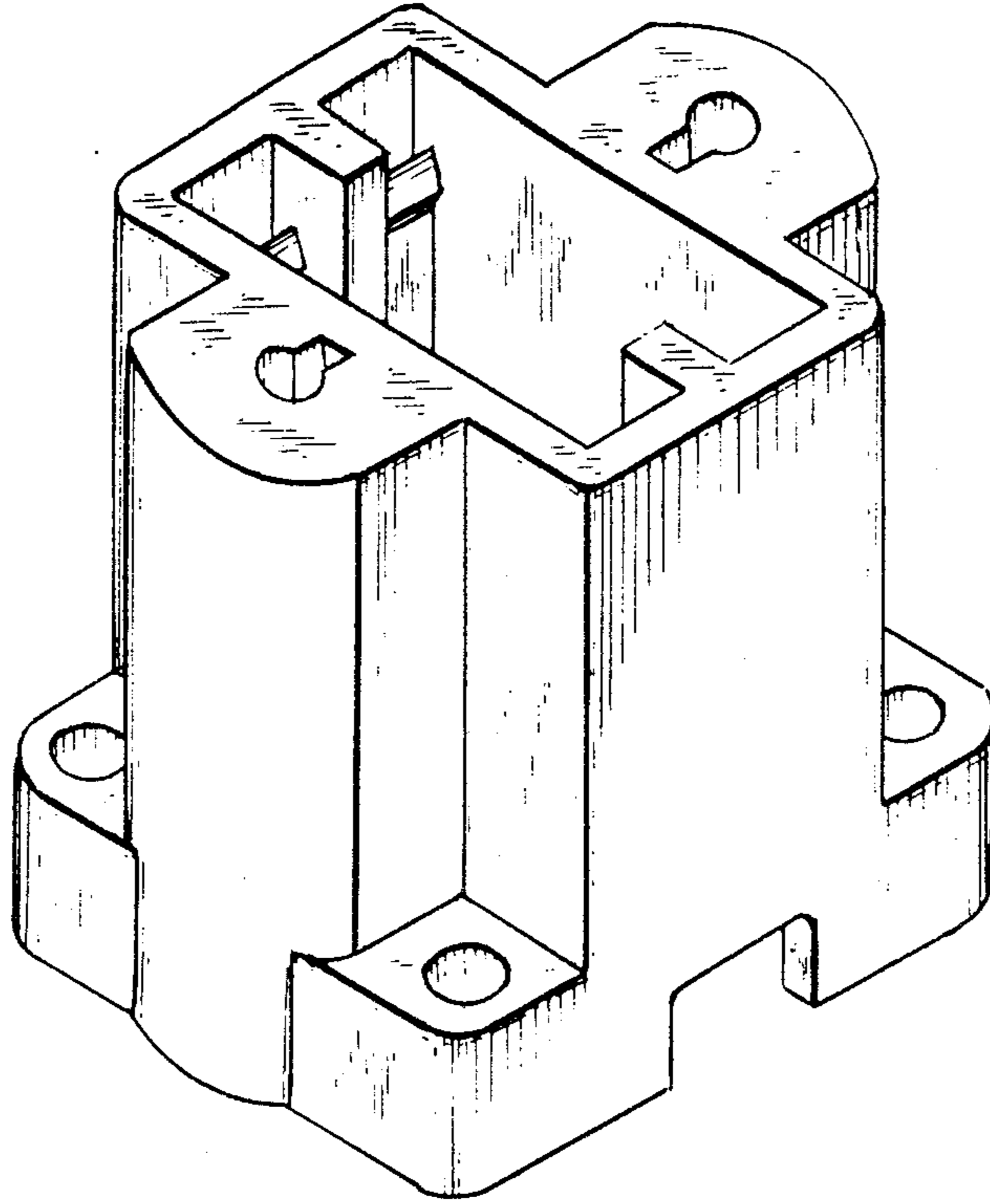


FIG. 7.

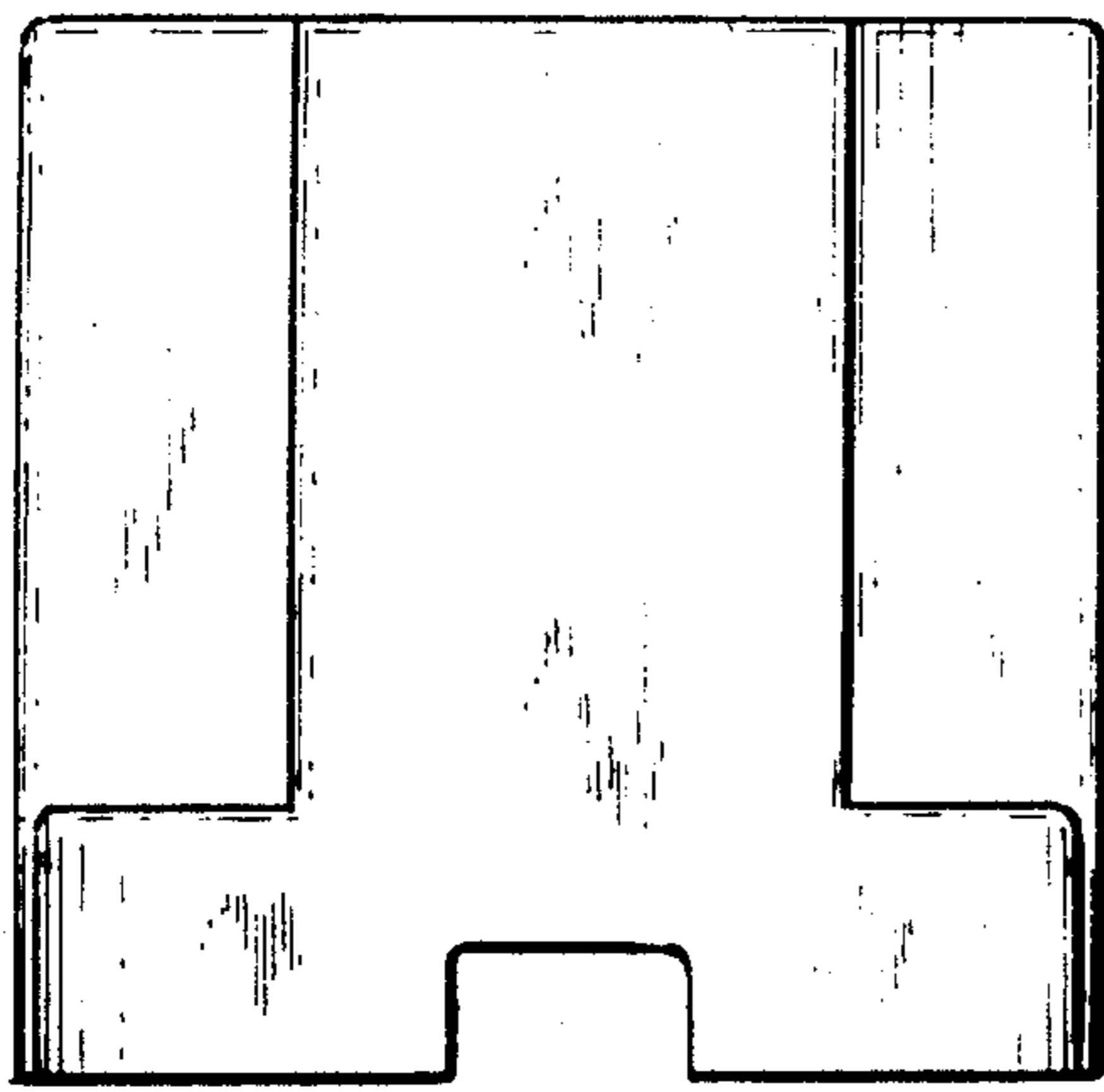


FIG. 8.

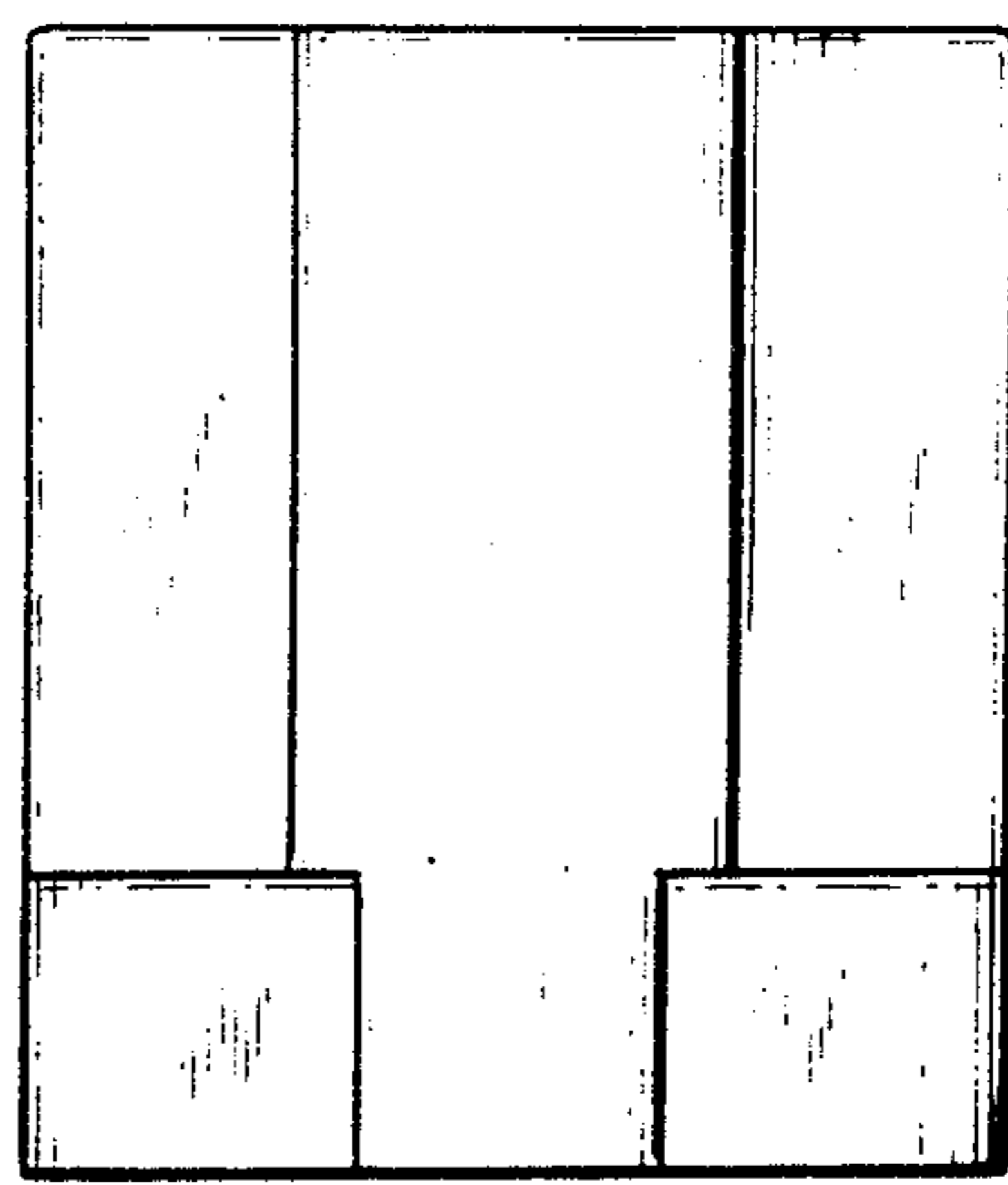


FIG. 9.

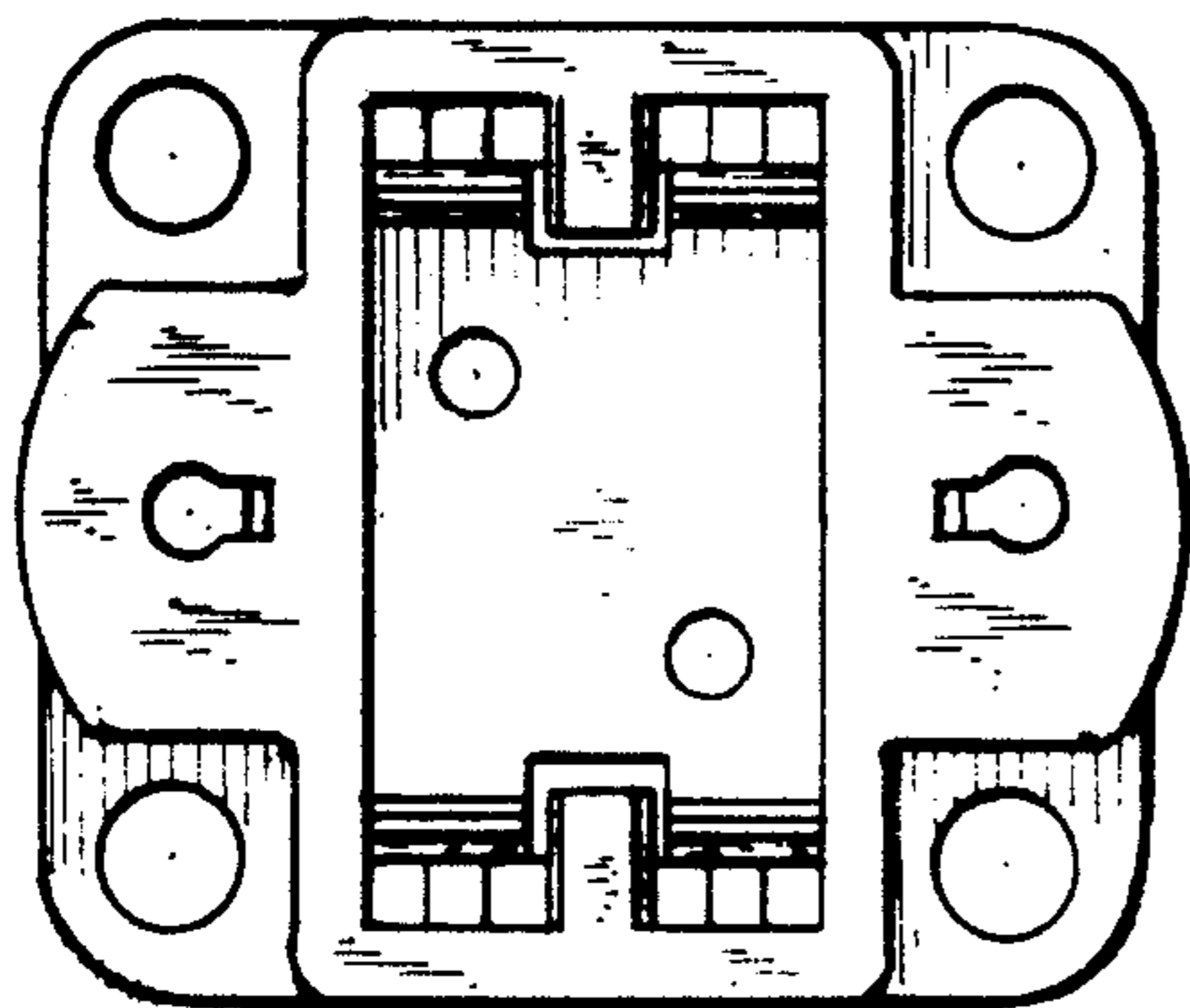


FIG. 10.

