

[54] LOWER FAIRING FOR MOTORCYCLES

[75] Inventors: Karl H. Abe, Steinebach/Woerthsee; Klaus V. Gevert, Munich, both of Fed. Rep. of Germany

[73] Assignee: Bayerische Motoren Werke AG, Fed. Rep. of Germany

[\*\*] Term: 14 Years

[21] Appl. No.: 550,116

[22] Filed: Nov. 9, 1983

[30] Foreign Application Priority Data

May 9, 1983 [DE] Fed. Rep. of Germany ... MR 13415

[52] U.S. Cl. .... D12/182

[58] Field of Search ..... D12/182, 114; 296/78.1; 280/289 S

[56] References Cited

U.S. PATENT DOCUMENTS

D. 264,704 6/1982 Rehberg ..... D12/114

OTHER PUBLICATIONS

Cycle World, 4/82, p. 69, Honda Lower Fairing, bottom of page.

Cycle World, 1/82, p. 24, Lower Section of Yamaha Turbo Seca 650 Fairing, center of page.

Road & Track, 10/82, p. 103, Front Grille of BMW 635CS1, top left side of page.

Primary Examiner—James M. Gandy  
Attorney, Agent, or Firm—Craig and Burns

[57] CLAIM

The ornamental design for a lower fairing for motorcycles, as shown and described.

DESCRIPTION

FIG. 1 is a perspective view from the left and in front of the lower fairing for motorcycles embodying our novel design;

FIG. 2 is a front elevational view thereof;

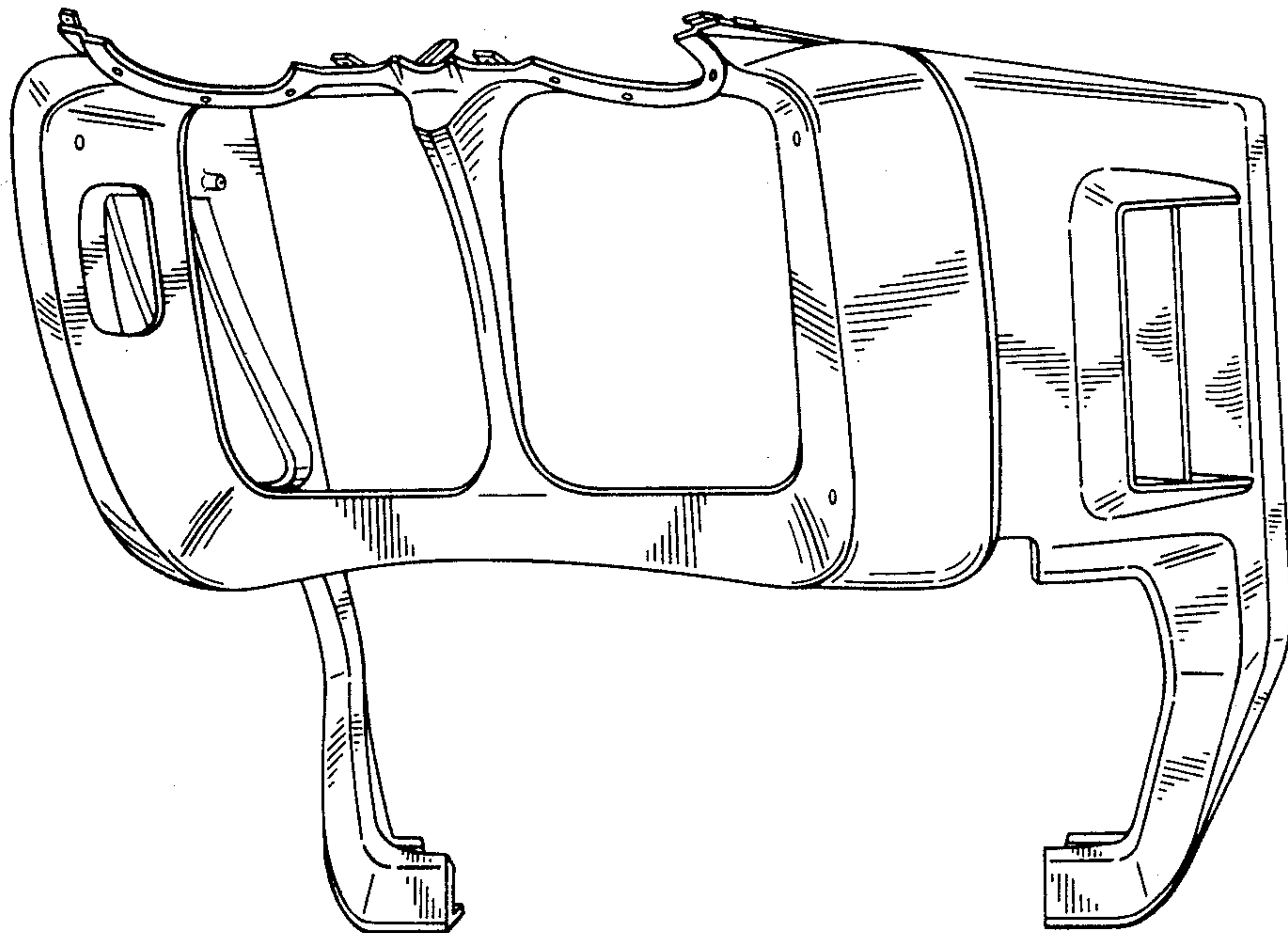
FIG. 3 is a left side elevational view thereof;

FIG. 4 is a right side elevational view thereof;

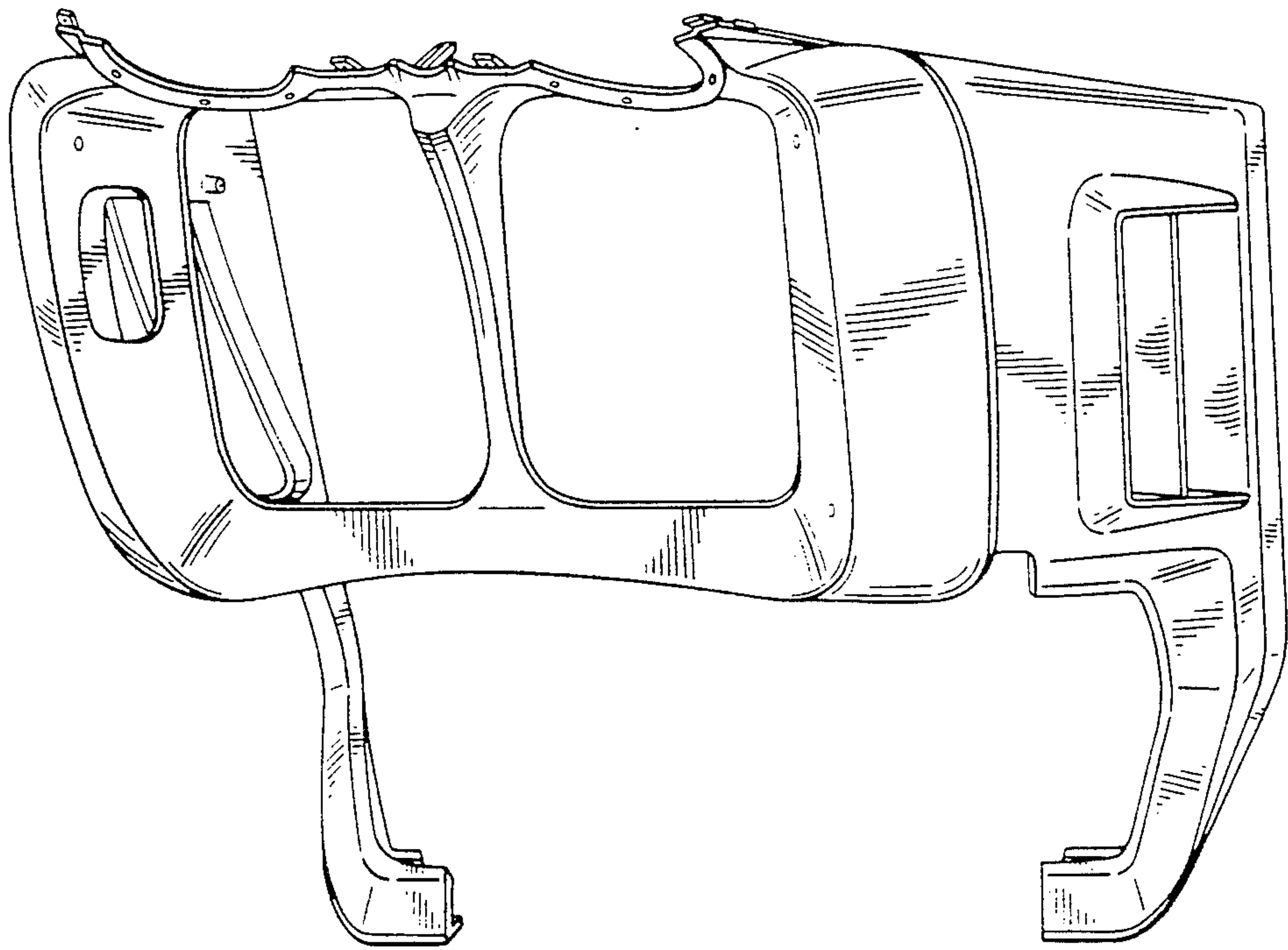
FIG. 5 is a top plan view thereof;

FIG. 6 is a bottom plan view thereof; and

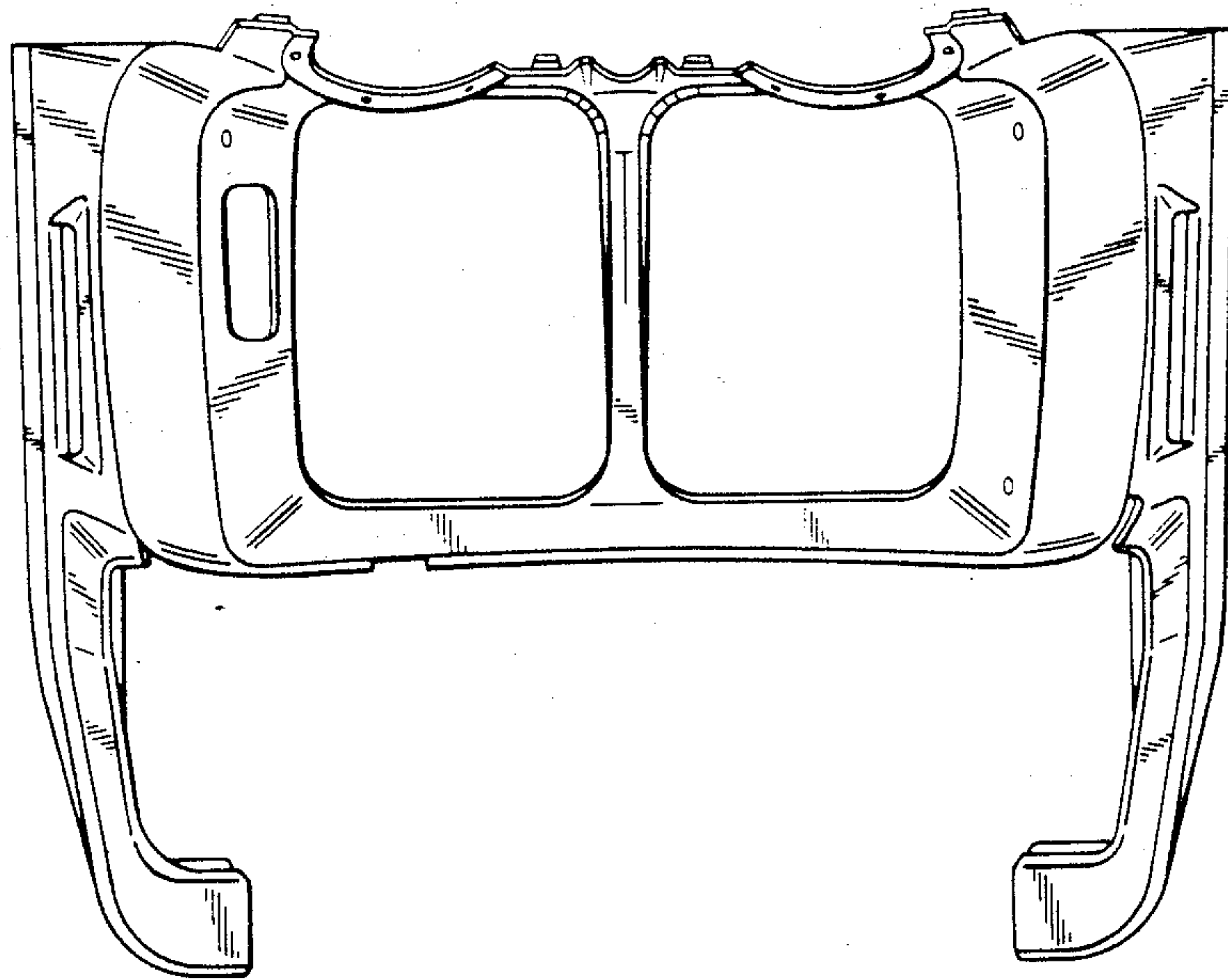
FIG. 7 is a rear elevational view thereof.



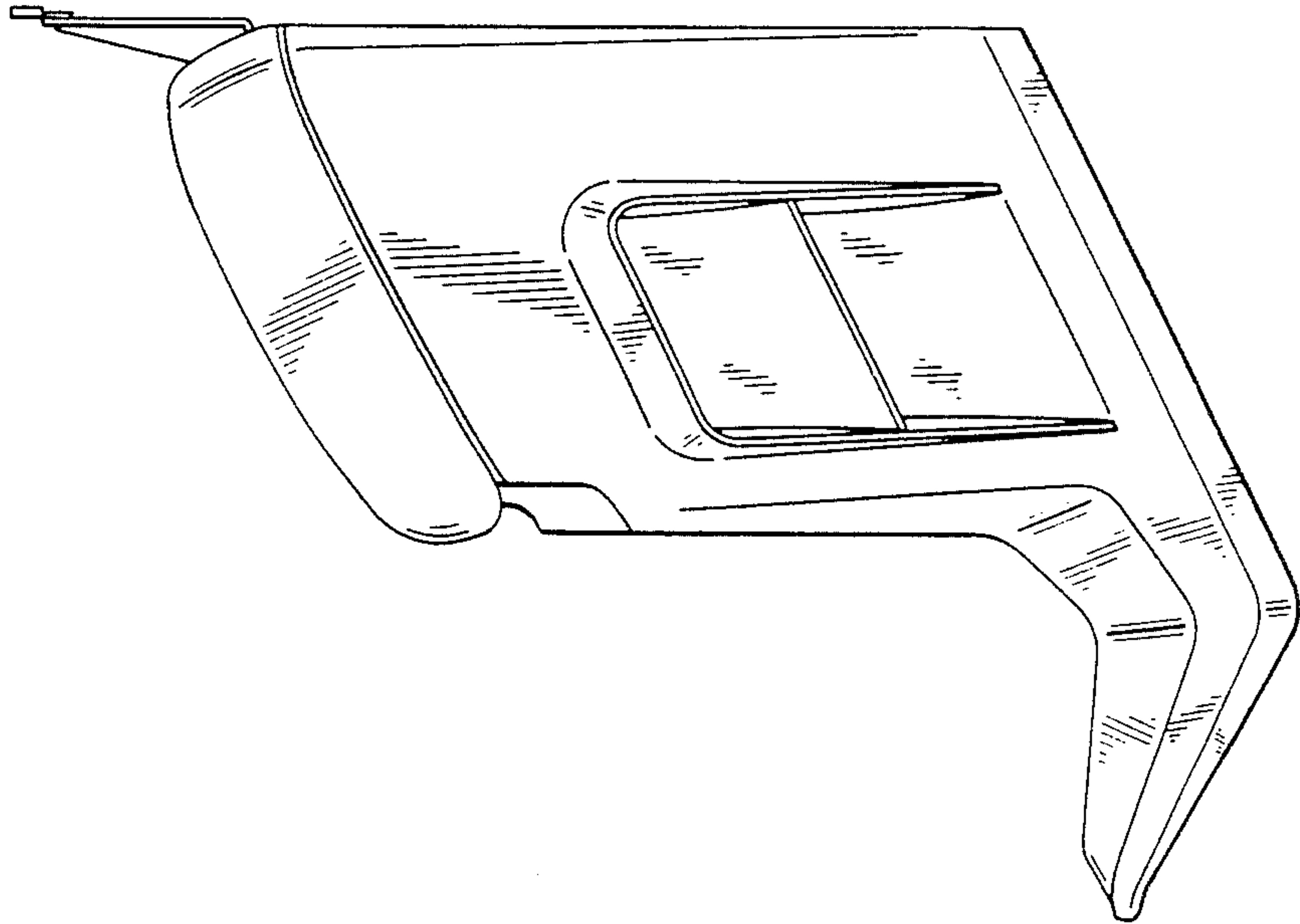
***Fig. 1***



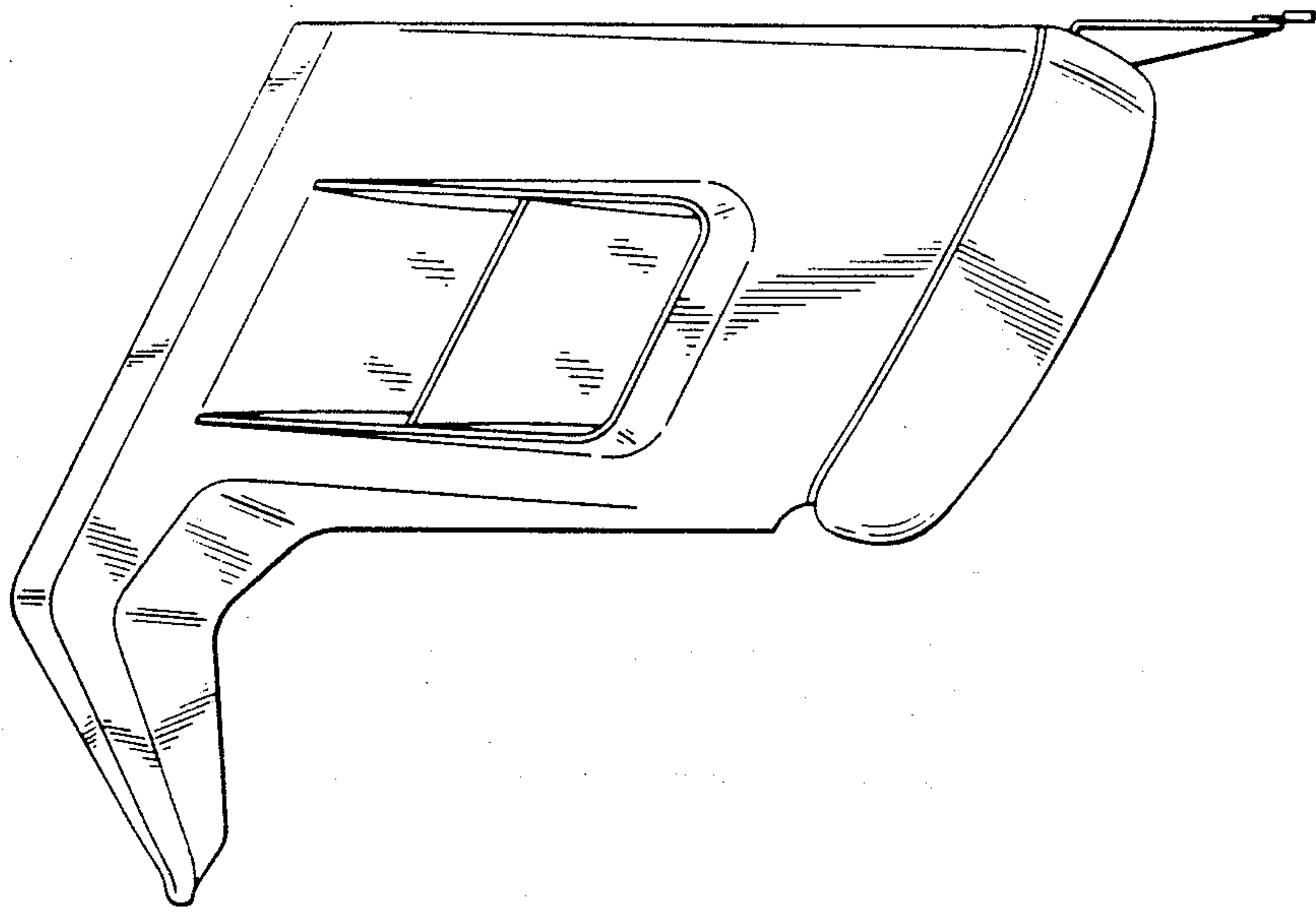
***Fig. 2***



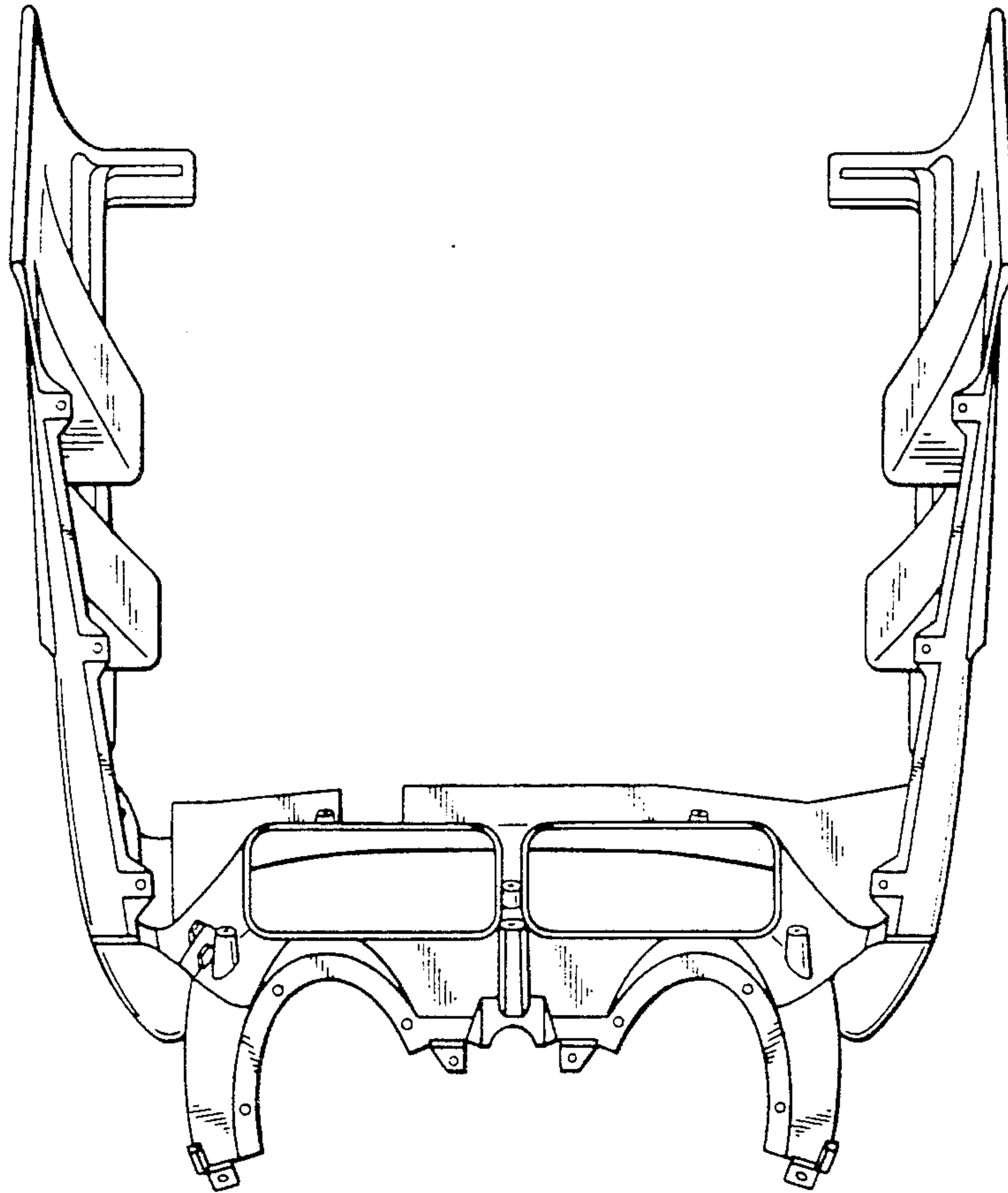
***Fig. 3***



***Fig. 4***

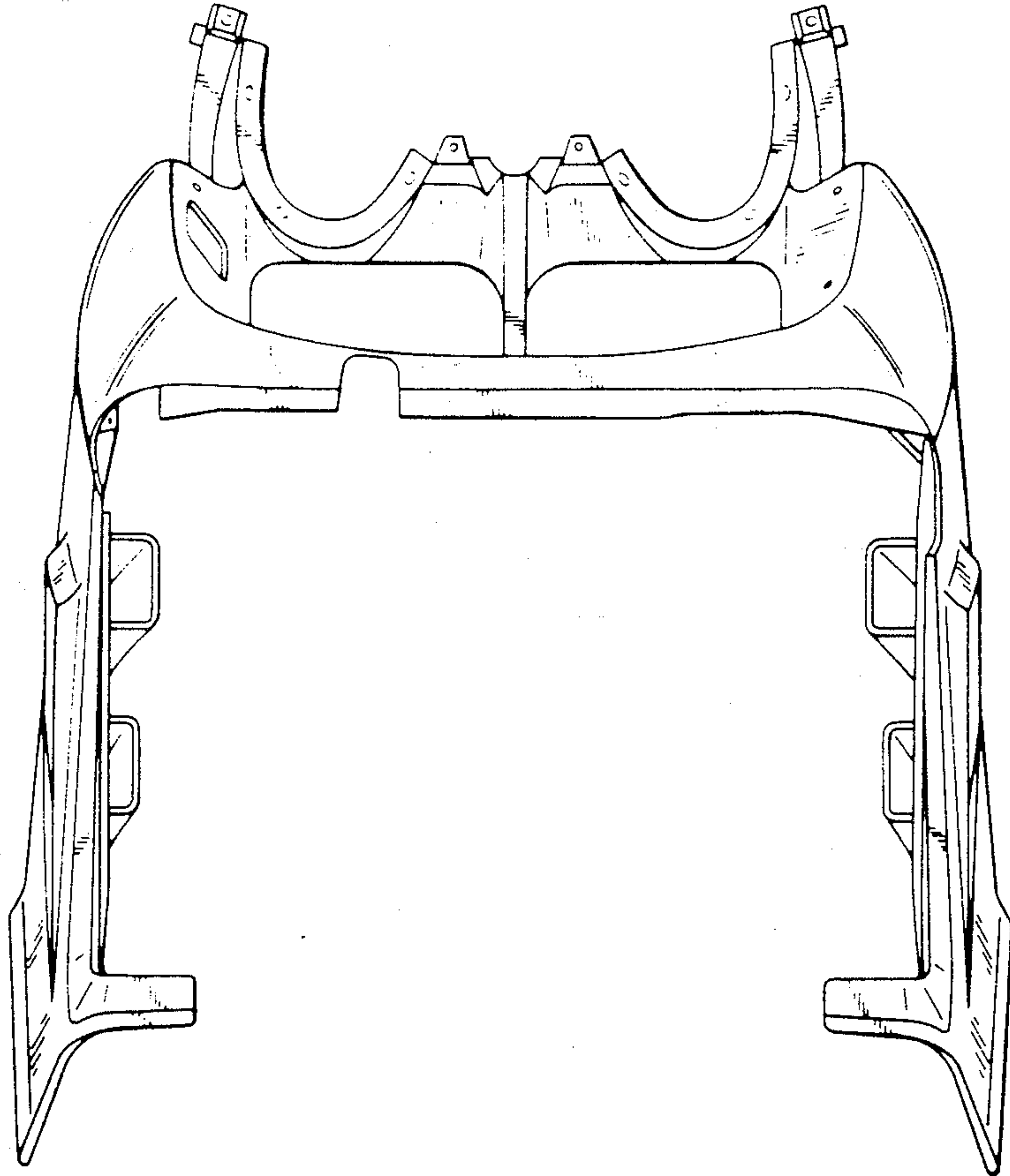


***Fig. 5***





***Fig. 6***



***Fig. 7***

