

[54] **LOAD CARRIER ATTACHMENT FOR CARS AND SIMILAR VEHICLES**

[76] **Inventor: Tore Eklund, Larstorpsvägen 13, S-591 70 Motala, Sweden**

[**] **Term: 14 Years**

[21] **Appl. No.: 462,686**

[22] **Filed: Jan. 31, 1983**

[30] **Foreign Application Priority Data**

Aug. 2, 1982 [SE] Sweden 82-1923
[52] **U.S. Cl. D12/157**
[58] **Field of Search D12/157; 224/315, 323, 224/329, 331**

[56] **References Cited**
U.S. PATENT DOCUMENTS

D. 273,187 3/1984 Brorsson D12/157

Primary Examiner—James M. Gandy
Attorney, Agent, or Firm—Witherspoon & Hargest

[57] **CLAIM**

The ornamental design for a load carrier attachment for cars and similar vehicles, as shown.

DESCRIPTION

FIG. 1 is a front perspective view of the load carrier attachment for cars and similar vehicles showing my new design;
FIG. 2 is a back perspective view thereof;
FIG. 3 is a right side elevation view thereof;
FIG. 4 is a left side elevation view thereof;
FIG. 5 is a top plan view thereof;
FIG. 6 is a bottom plan view thereof;
FIG. 7 is a front elevation view thereof; and
FIG. 8 is a back elevation view thereof.

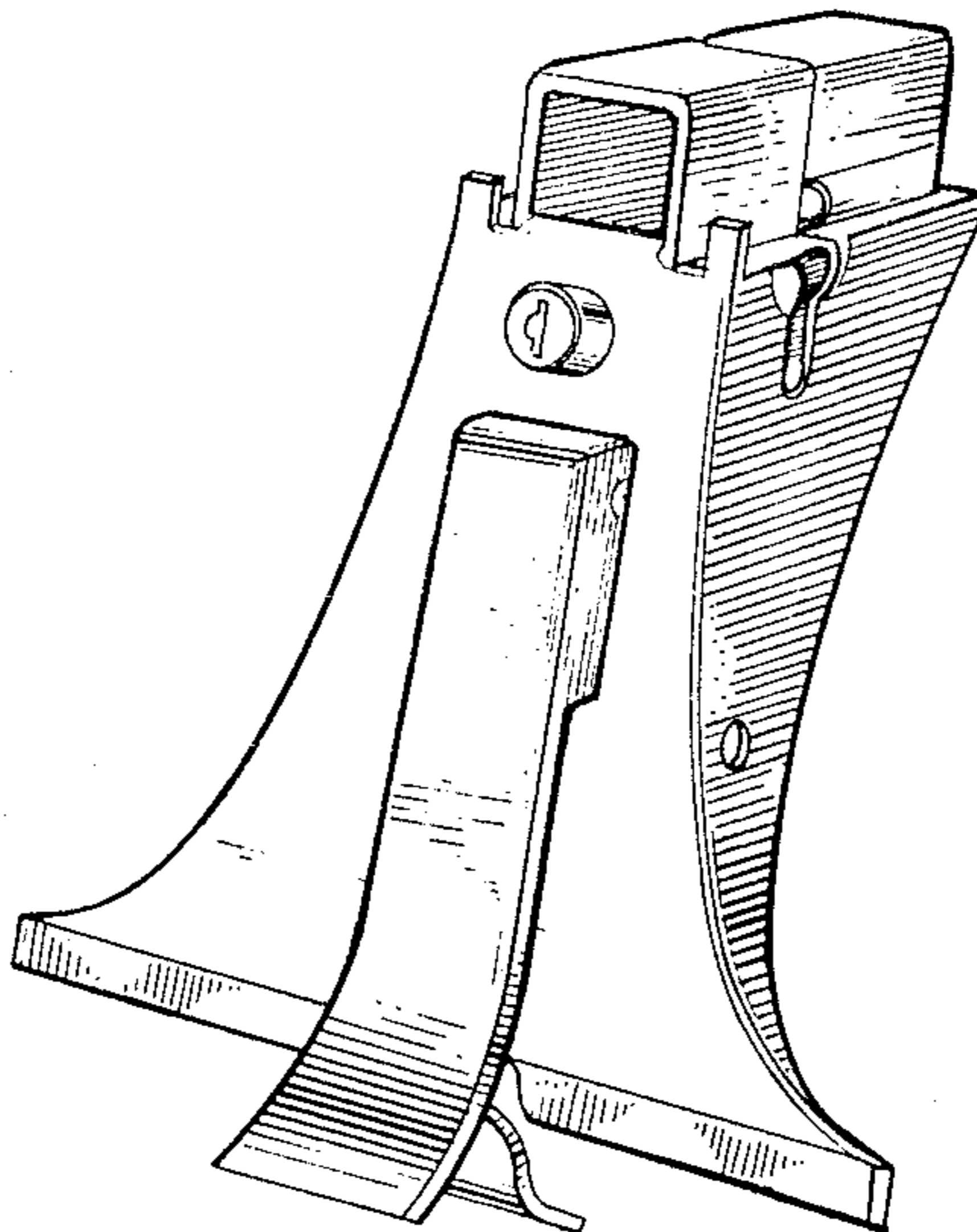


FIG. 1.

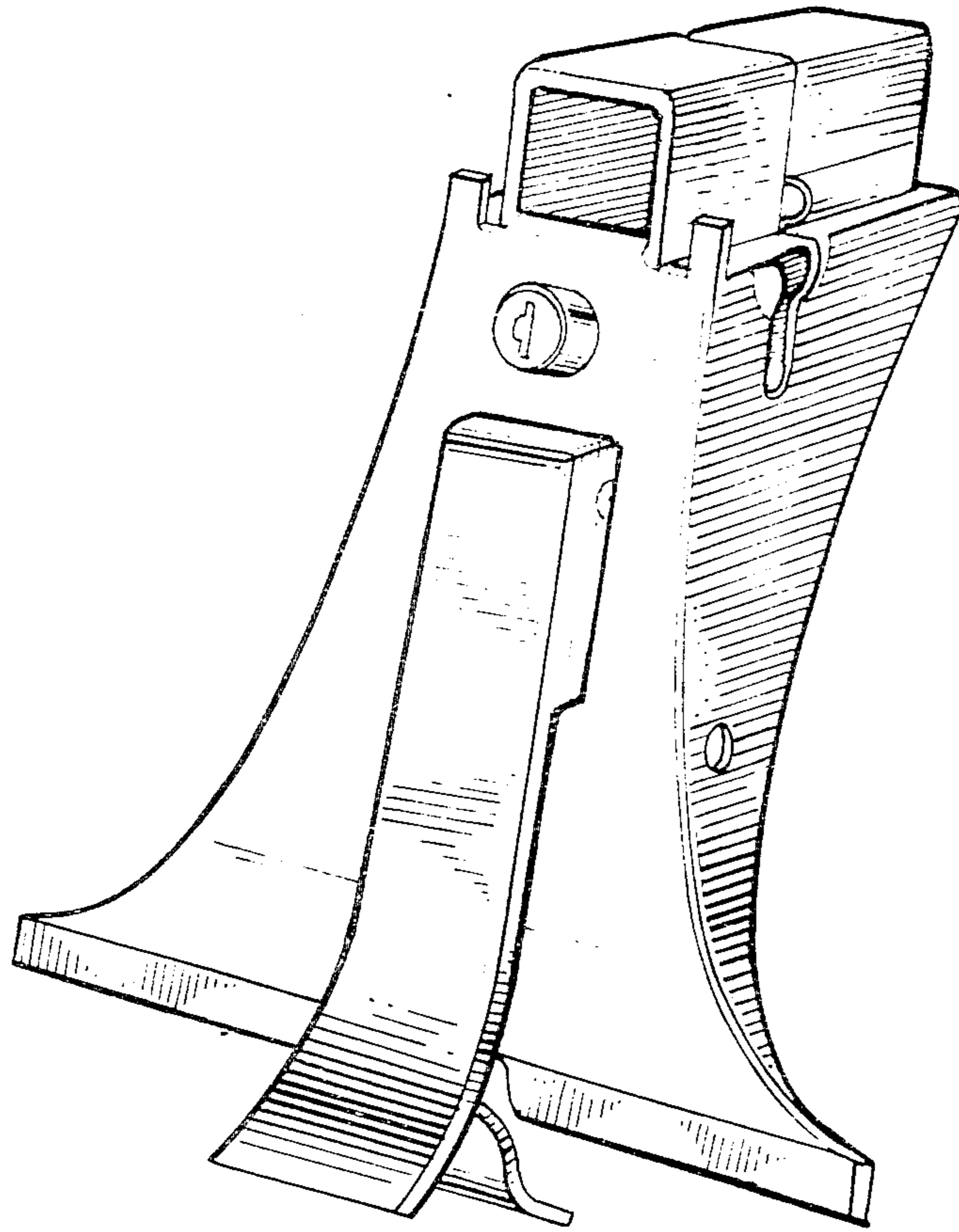


FIG. 2.

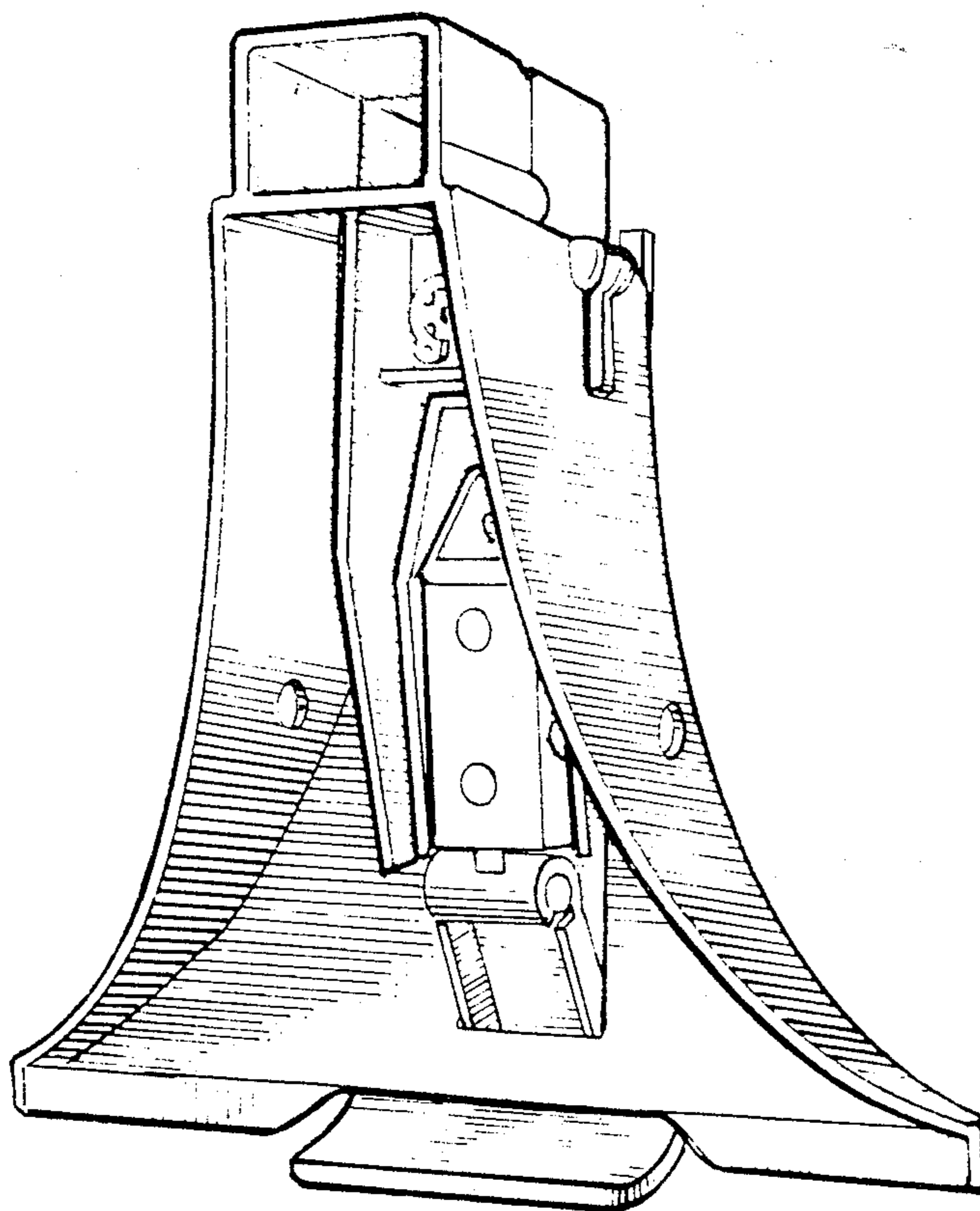


FIG. 4.

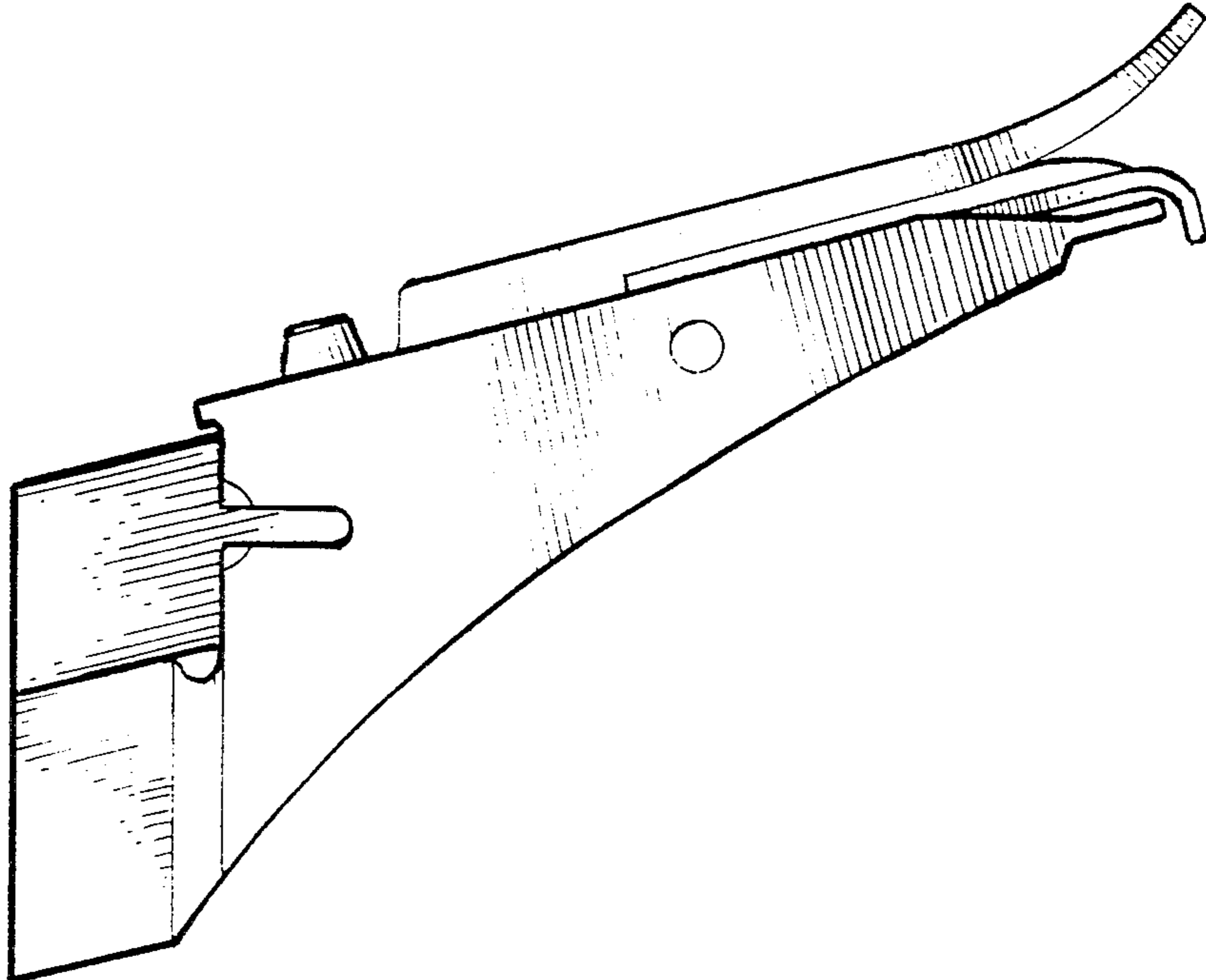


FIG. 3.

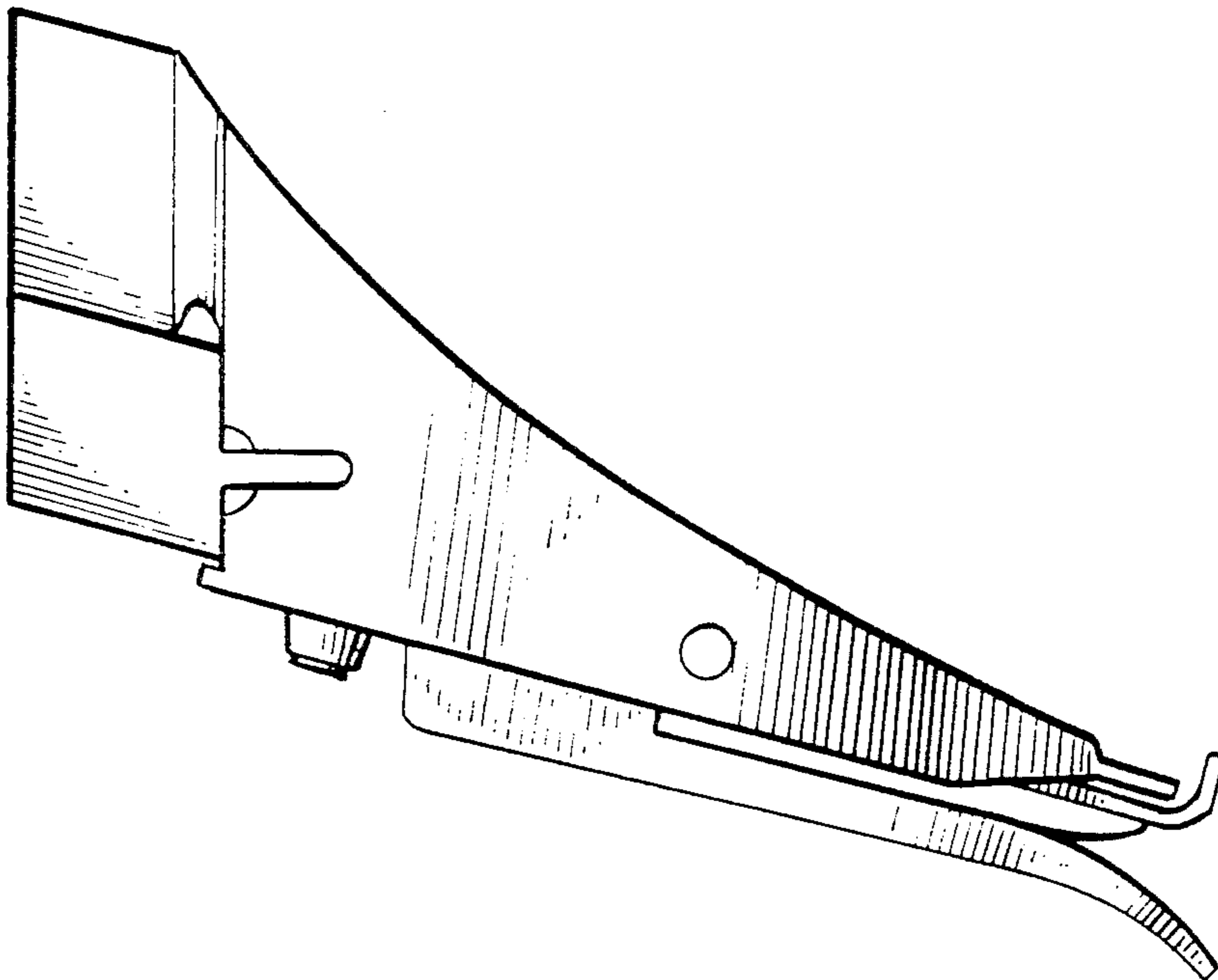


FIG. 6.

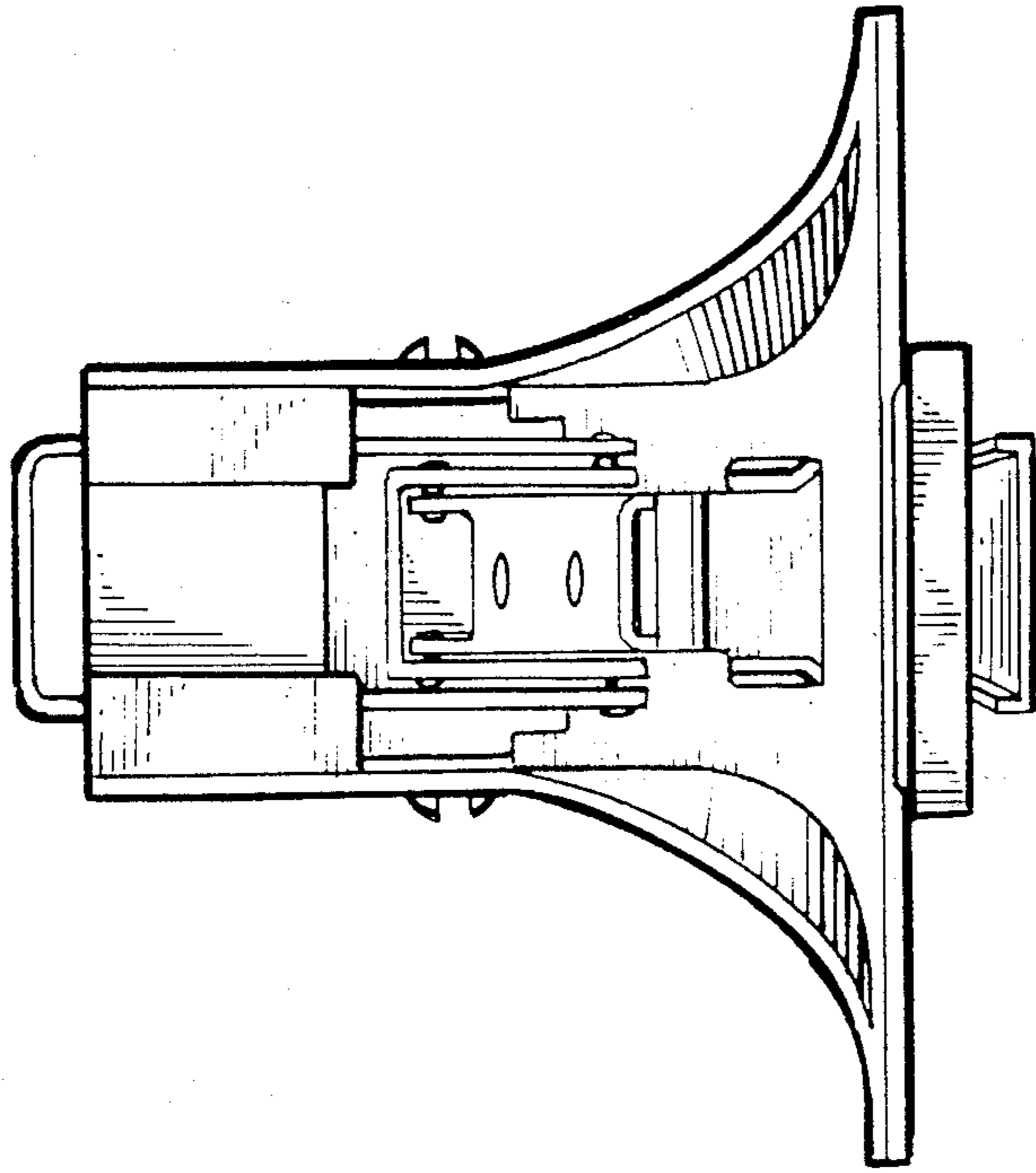
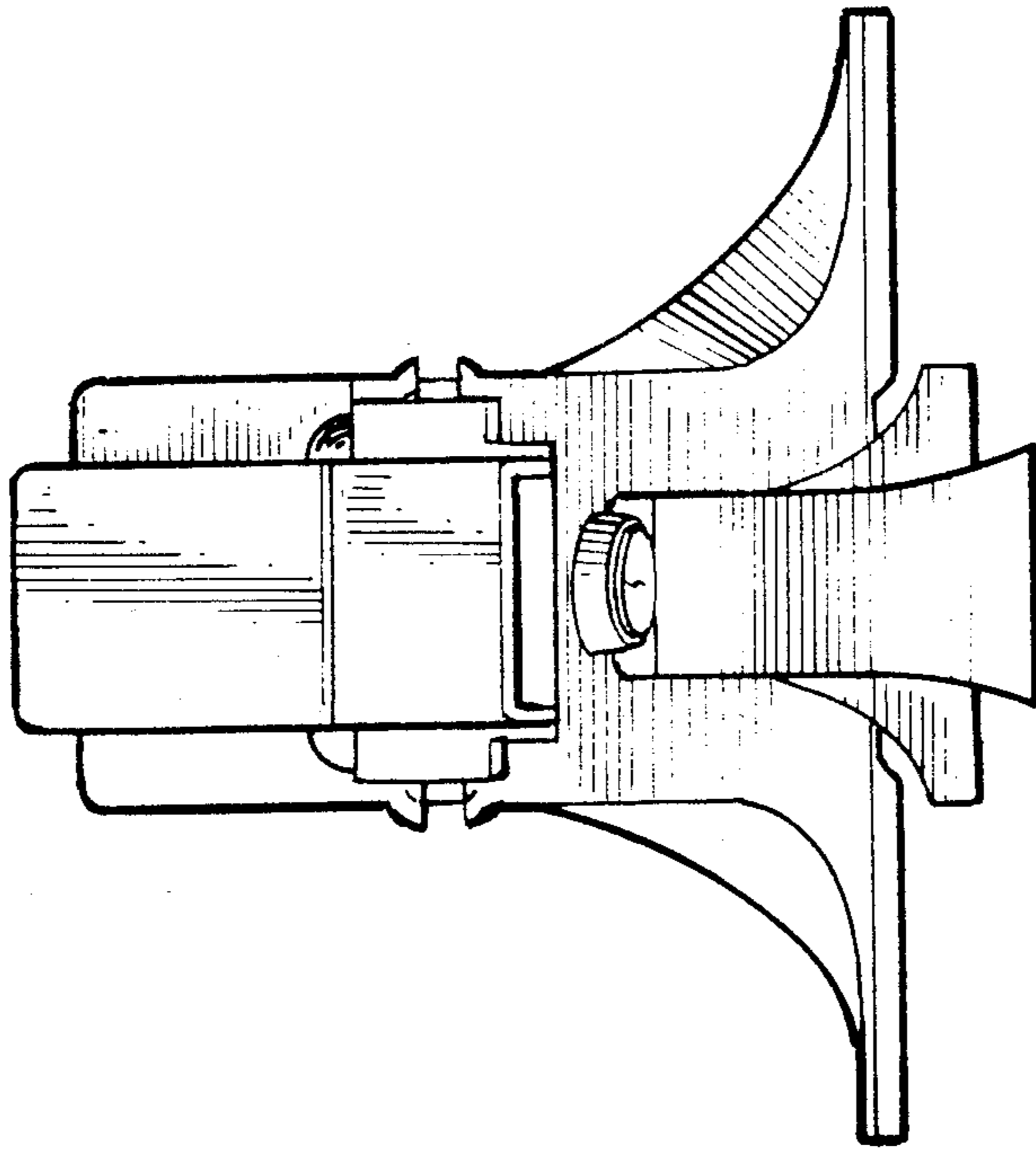


FIG. 5.



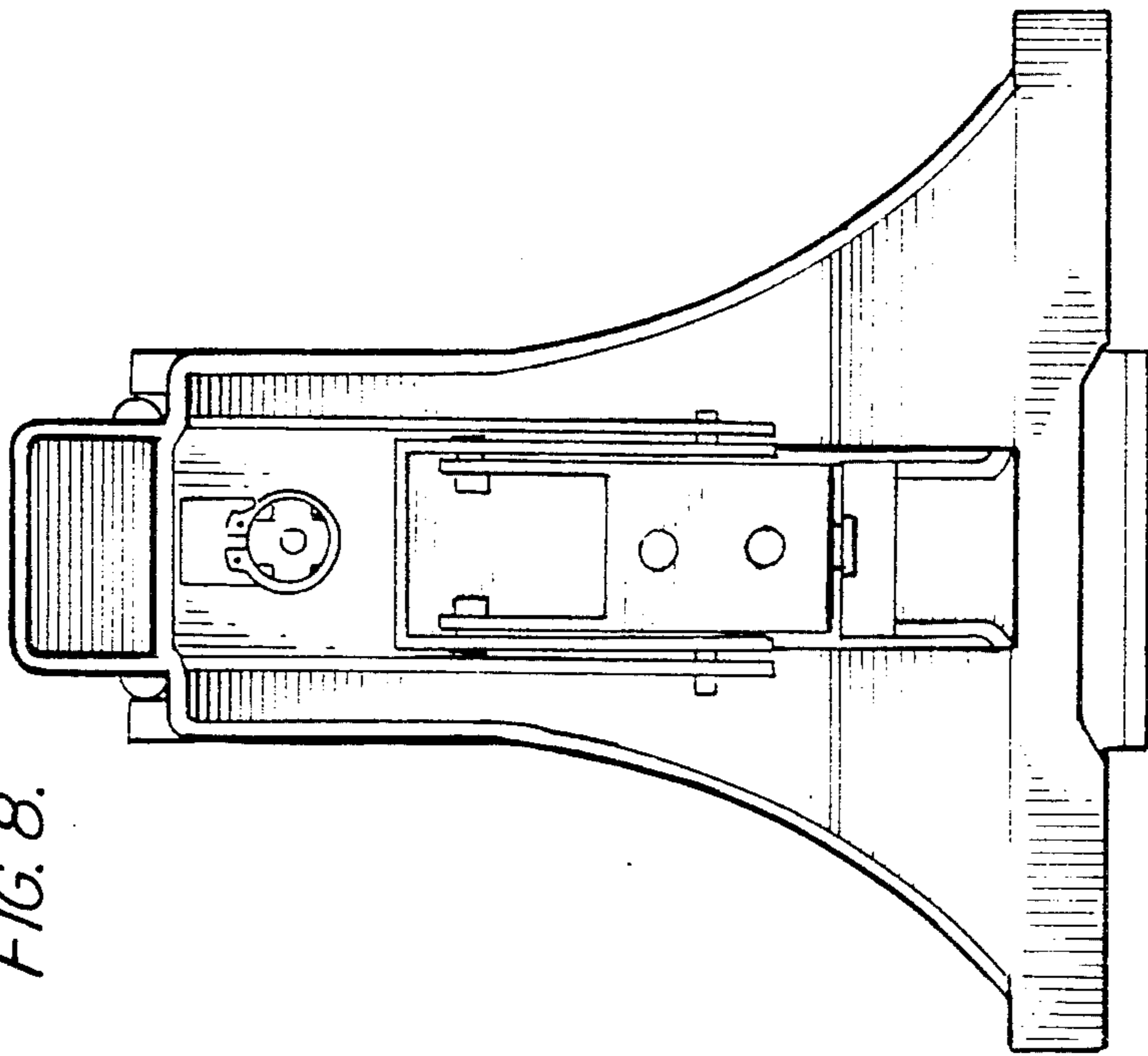


FIG. 8.

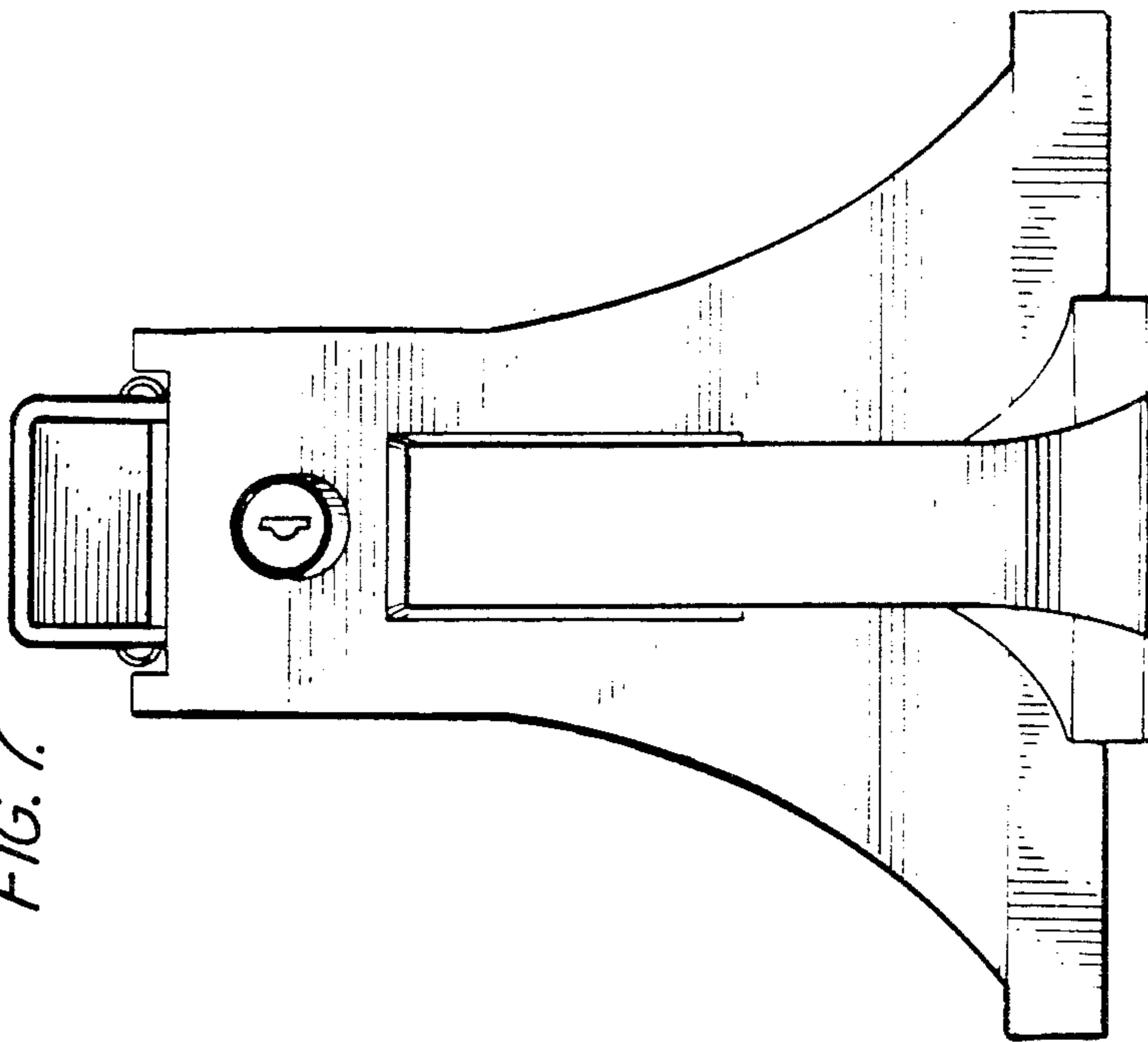


FIG. 7.