

[54] **BICYCLE TIRE TREAD**

[75] **Inventor: Eiji Fukuchi, Kagawa, Japan**

[73] **Assignee: Mitsuboshi Belting Ltd., Nagata, Japan**

[*] **Notice: The portion of the term of this patent subsequent to Mar. 25, 2000 has been disclaimed.**

[**] **Term: 14 Years**

[21] **Appl. No.: 447,394**

[22] **Filed: Dec. 6, 1982**

[30] **Foreign Application Priority Data**

Sep. 18, 1982 [JP] Japan 57-42651
[52] **U.S. Cl. D12/136; D12/141**
[58] **Field of Search D12/145-151, D12/136; 152/209 R, 209 NT, 209 D**

[56] **References Cited**
PUBLICATIONS

Specialized Tires 1982, p. 6, Commuter Tire, center right side of page.

Primary Examiner—James M. Gandy
Attorney, Agent, or Firm—Wood, Dalton, Phillips, Mason & Rowe

[57] **CLAIM**

The ornamental design for a bicycle tire tread, as shown and described.

DESCRIPTION

FIG. 1 is a perspective view of a bicycle tire tread showing my new design, it being understood that the pattern which is partially illustrated is repeated uniformly throughout the circumference of the tread as shown schematically in solid lines;

FIG. 2 is an enlarged fragmentary plan view showing the tread pattern in greater detail; and

FIG. 3 is a transverse section taken substantially along the line 3—3 of FIG. 2 illustrating the profile of the tread pattern in greater detail.

The broken line showing of the tire carcass in FIGS. 1 and 3 is for illustrative purposes only and forms no part of the design.

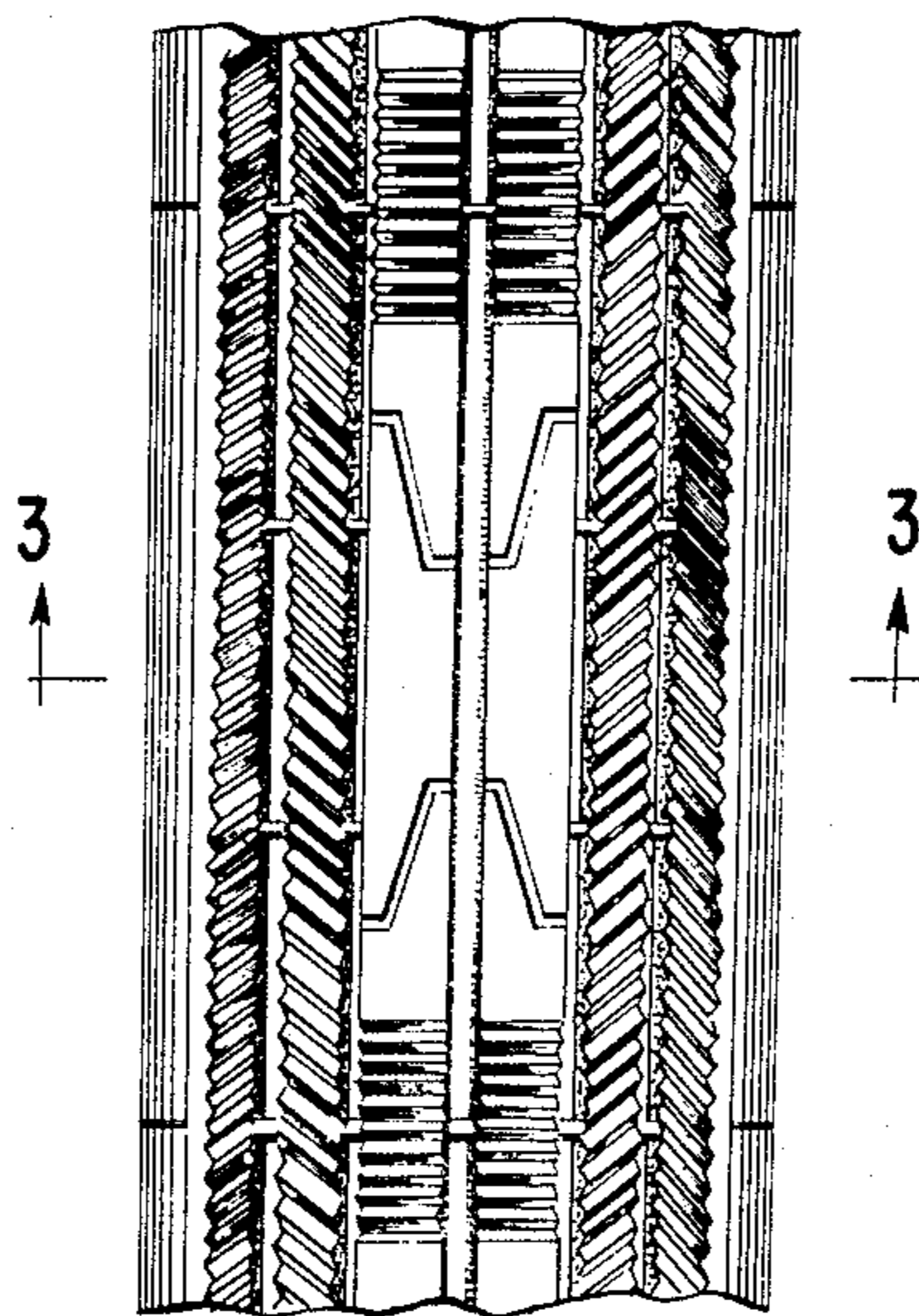


FIG. 1

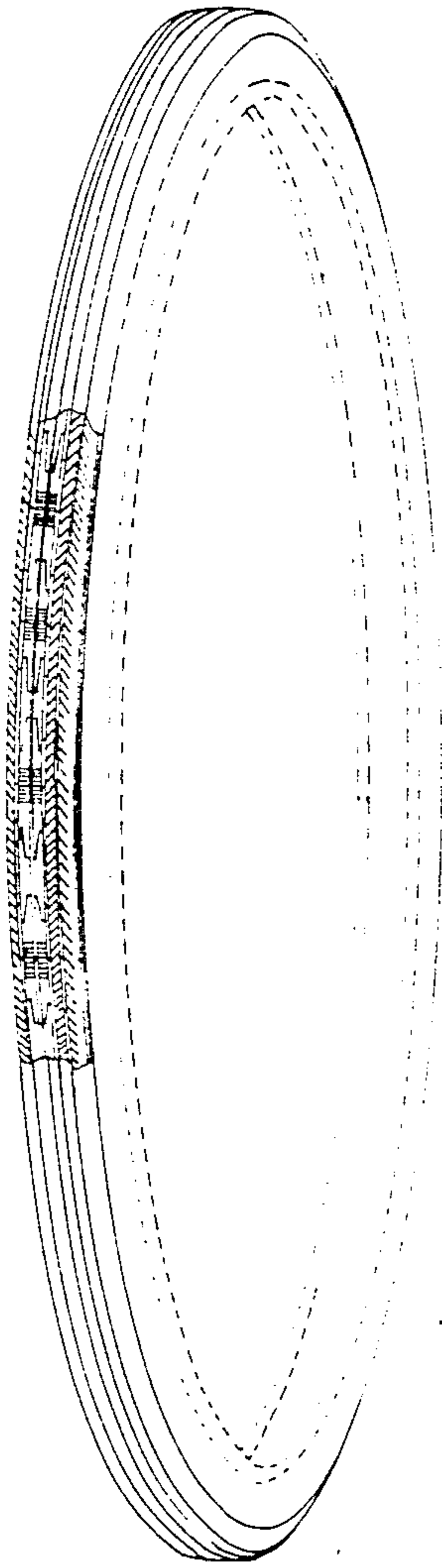


FIG. 2

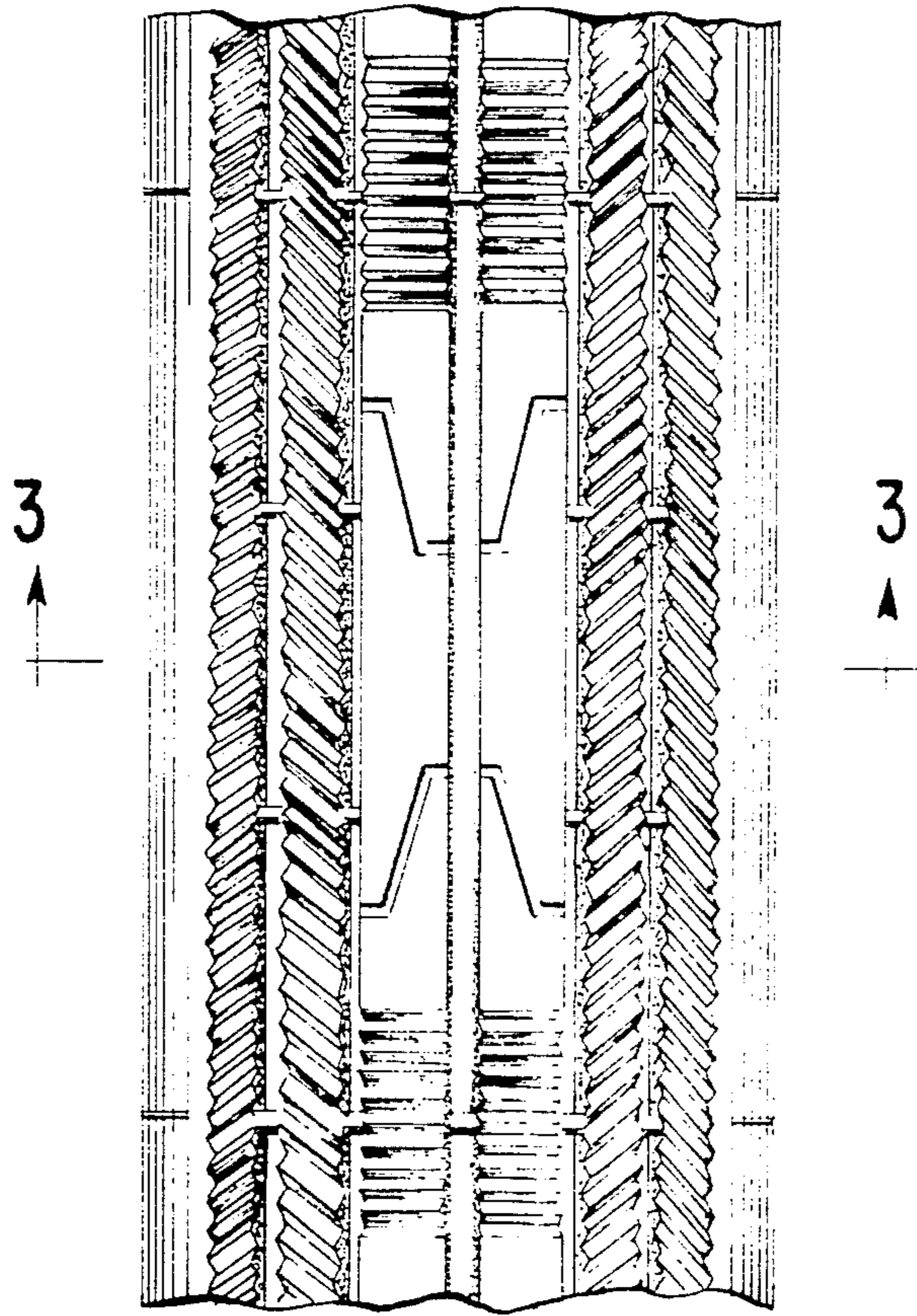


FIG. 3

