

[54] ARTICULATED, COLLAPSIBLE SLED

[75] Inventor: Samuel J. McFrisby, Ecorse, Mich.

[73] Assignee: Joseph A. Ulicne, Grosse Ile, Mich.;
a part interest

[**] Term: 14 Years

[21] Appl. No.: 496,268

[22] Filed: May 19, 1983

[52] U.S. Cl. D12/10

[58] Field of Search D12/9, 10; 280/12 R,
280/12.11, 15, 20, 21 R

[56] References Cited

U.S. PATENT DOCUMENTS

909,775	1/1909	Ford	280/12 R
1,515,405	11/1924	Peterson	280/12 R
2,615,724	10/1952	Lee	280/20
4,243,238	1/1981	Johnson	280/21 R

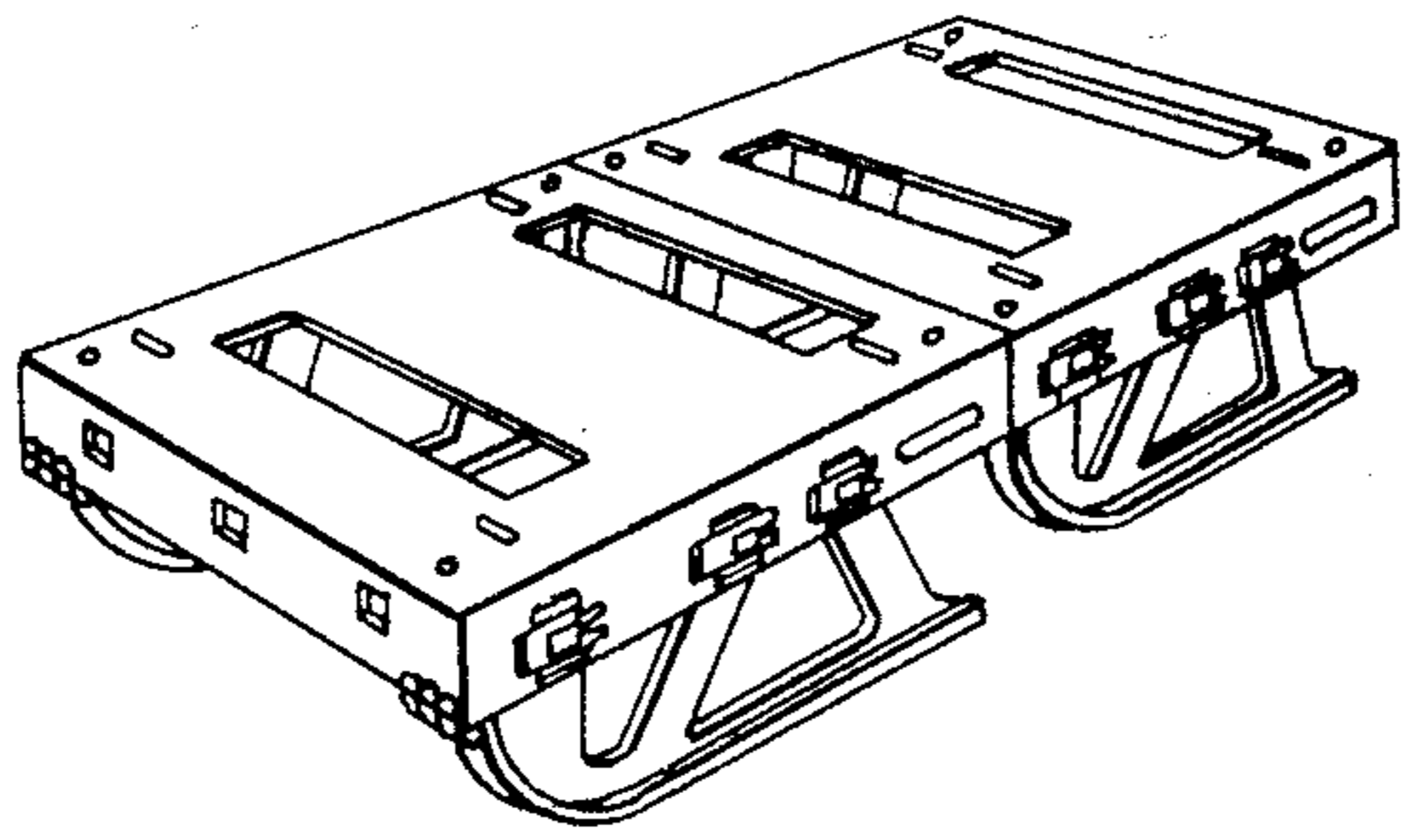
Primary Examiner—James M. Gandy
Attorney, Agent, or Firm—Irving M. Weiner; Joseph P. Carrier; John J. Cantarella

[57] CLAIM

The ornamental design for an articulated, collapsible sled, as shown and described.

DESCRIPTION

FIG. 1 is a perspective view of an articulated, collapsible sled showing my new design;
FIG. 2 is an enlarged side elevational view of the front section thereof, it being understood that the opposite side is a mirror image of that shown;
FIG. 3 is a top plan view of FIG. 2;
FIG. 4 is a bottom plan view of FIG. 2;
FIG. 5 is a front elevational view of FIG. 2;
FIG. 6 is a rear elevational view of FIG. 2;
FIG. 7 is a fragmentary front elevational view of FIG. 2 with the runner in partially collapsed condition.
The rear section of the sled is identical to the front section shown in FIGS. 2-7.



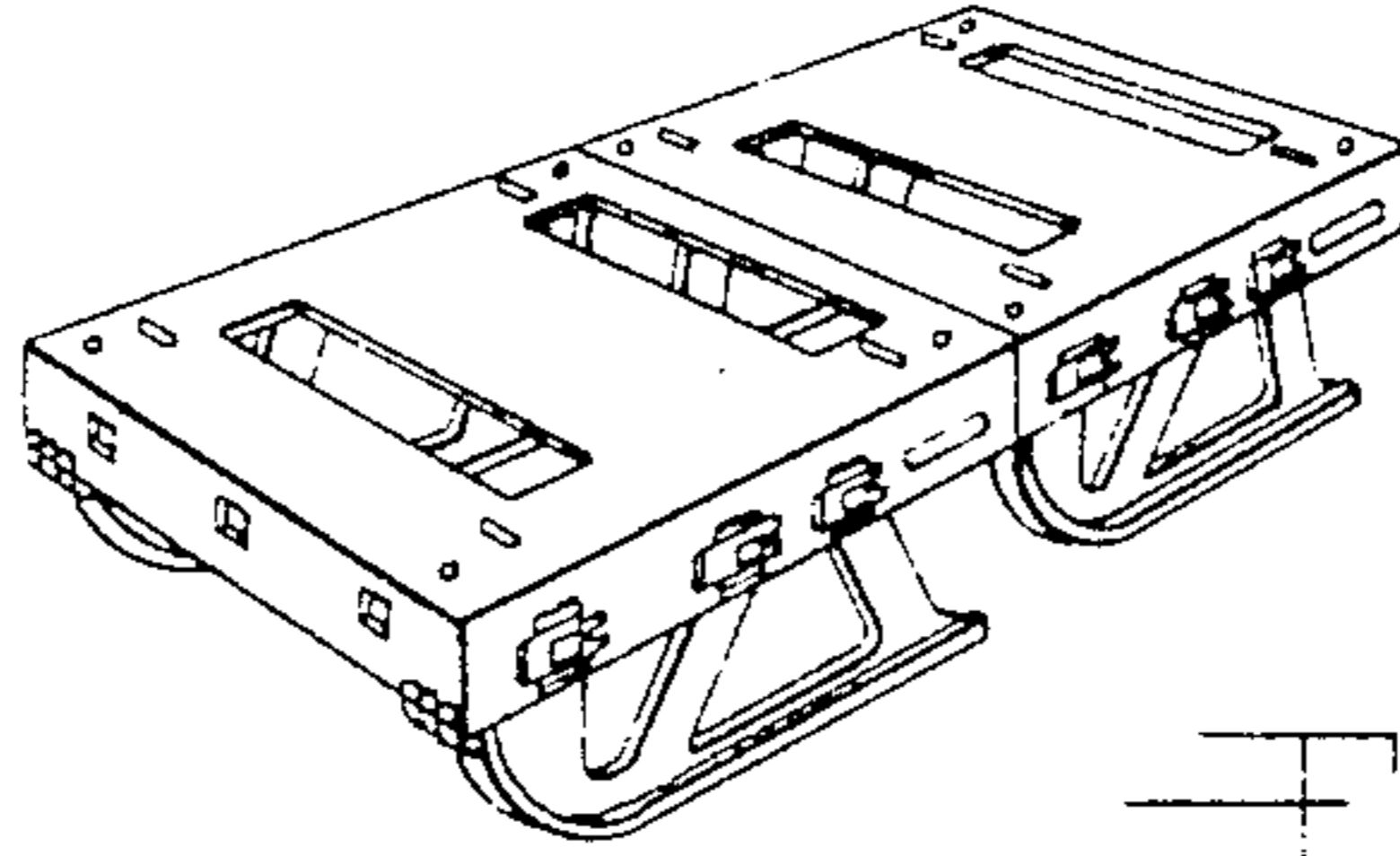


FIG. 1

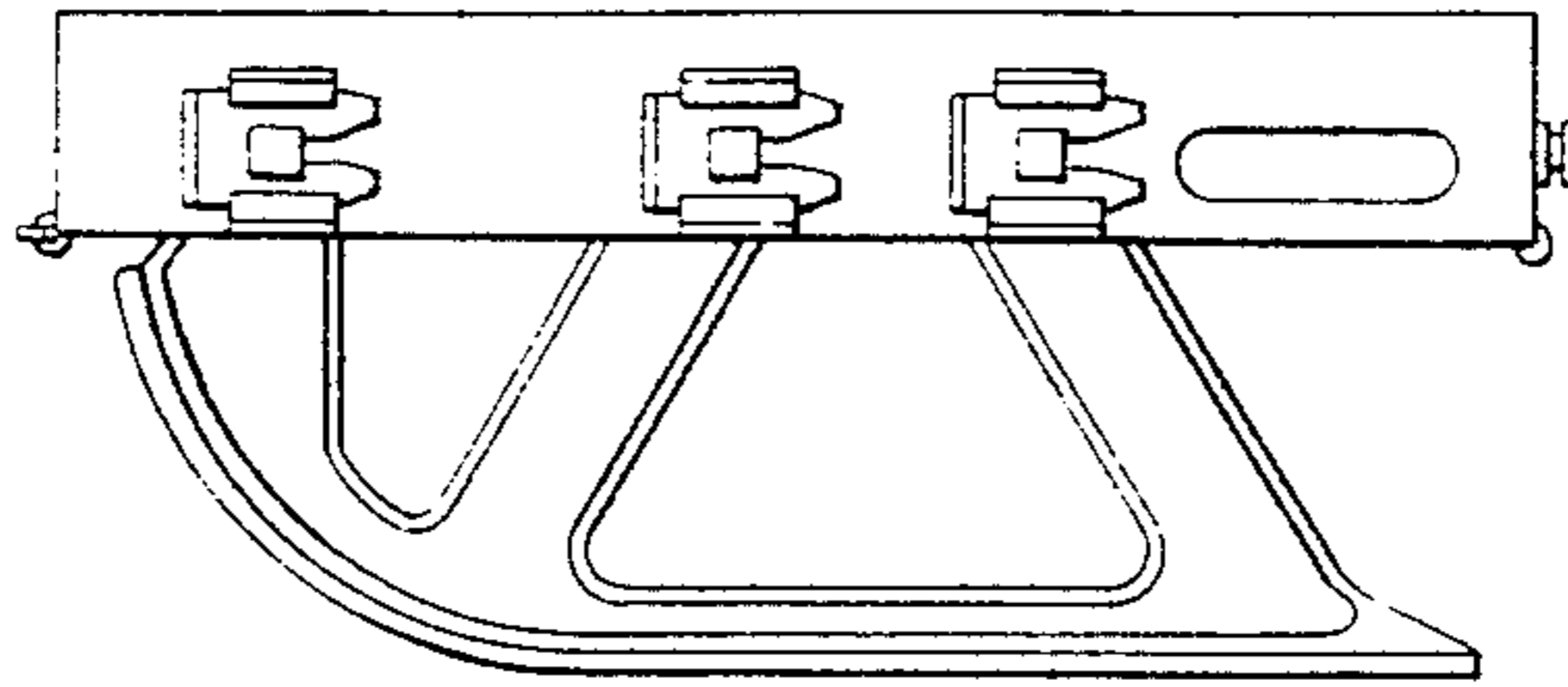


FIG. 2

FIG. 3

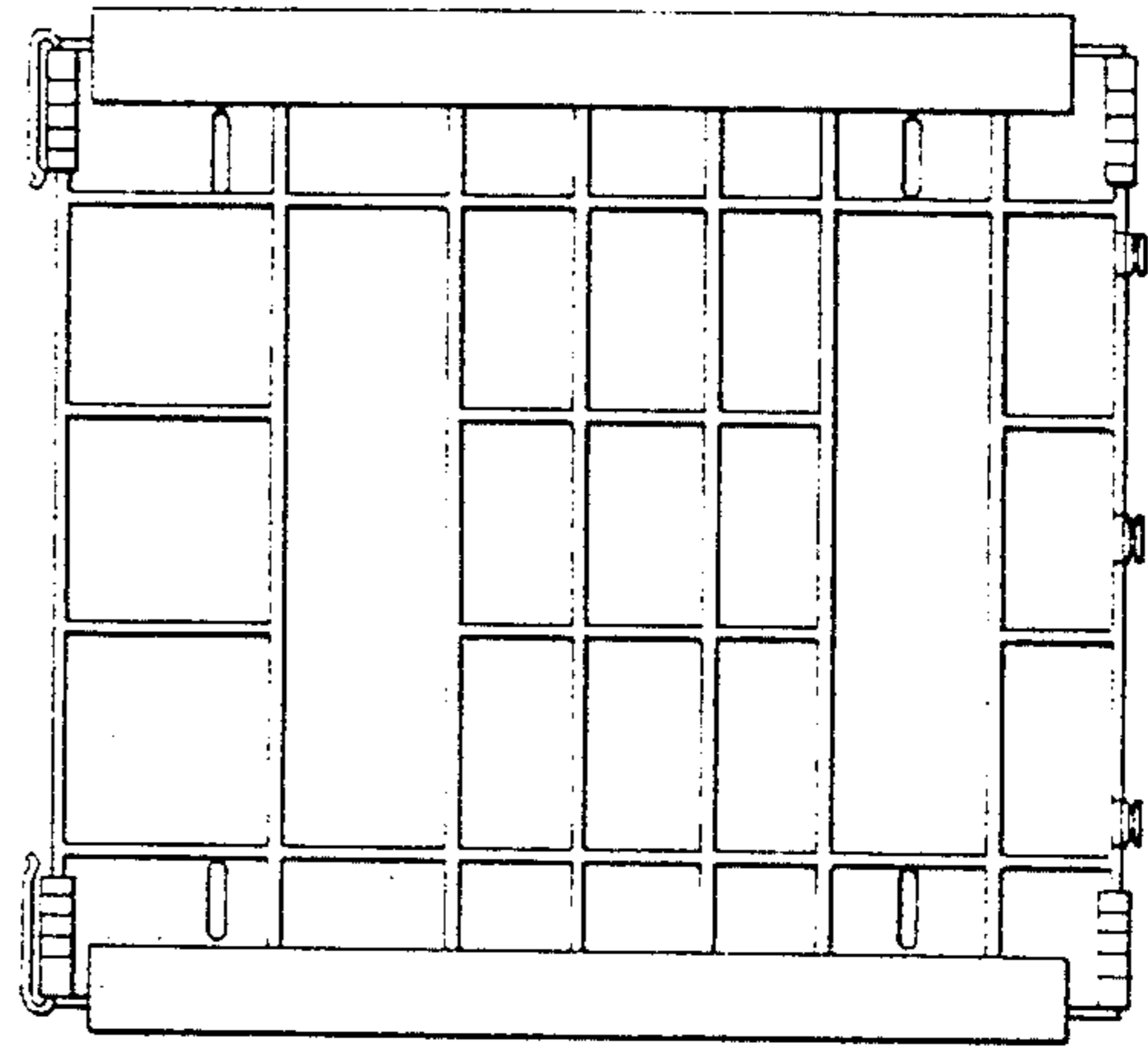
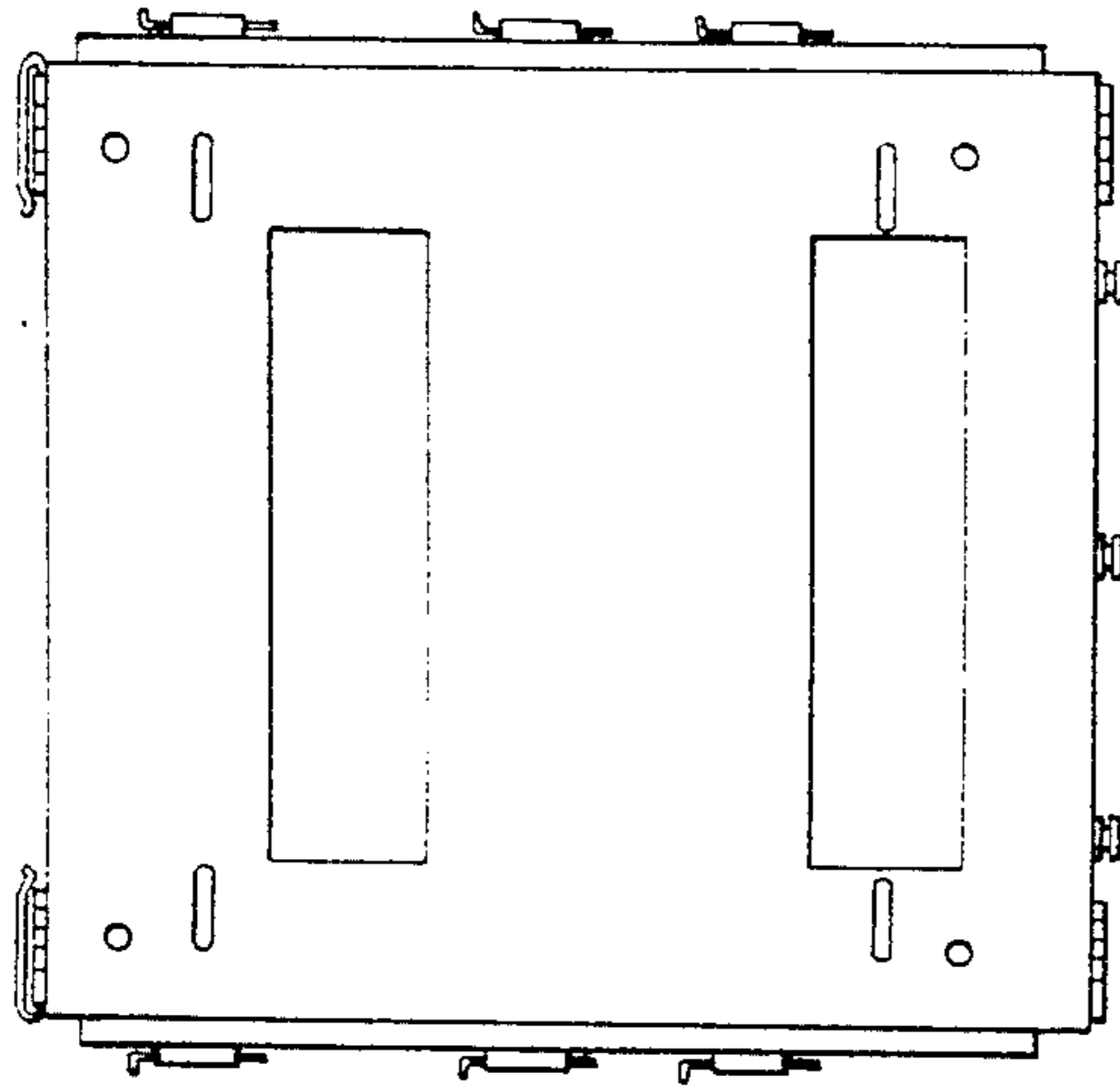


FIG. 4

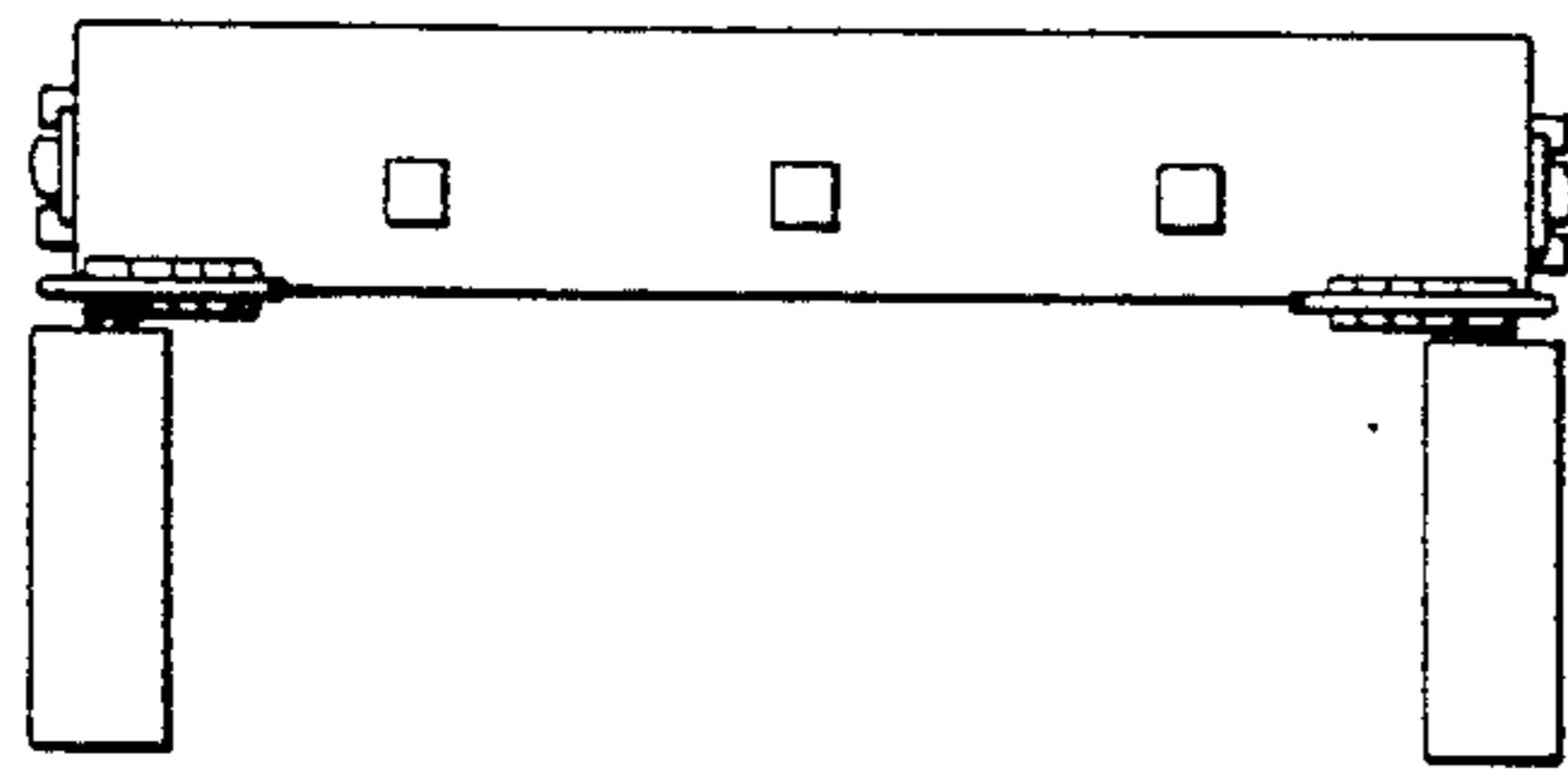


FIG. 5

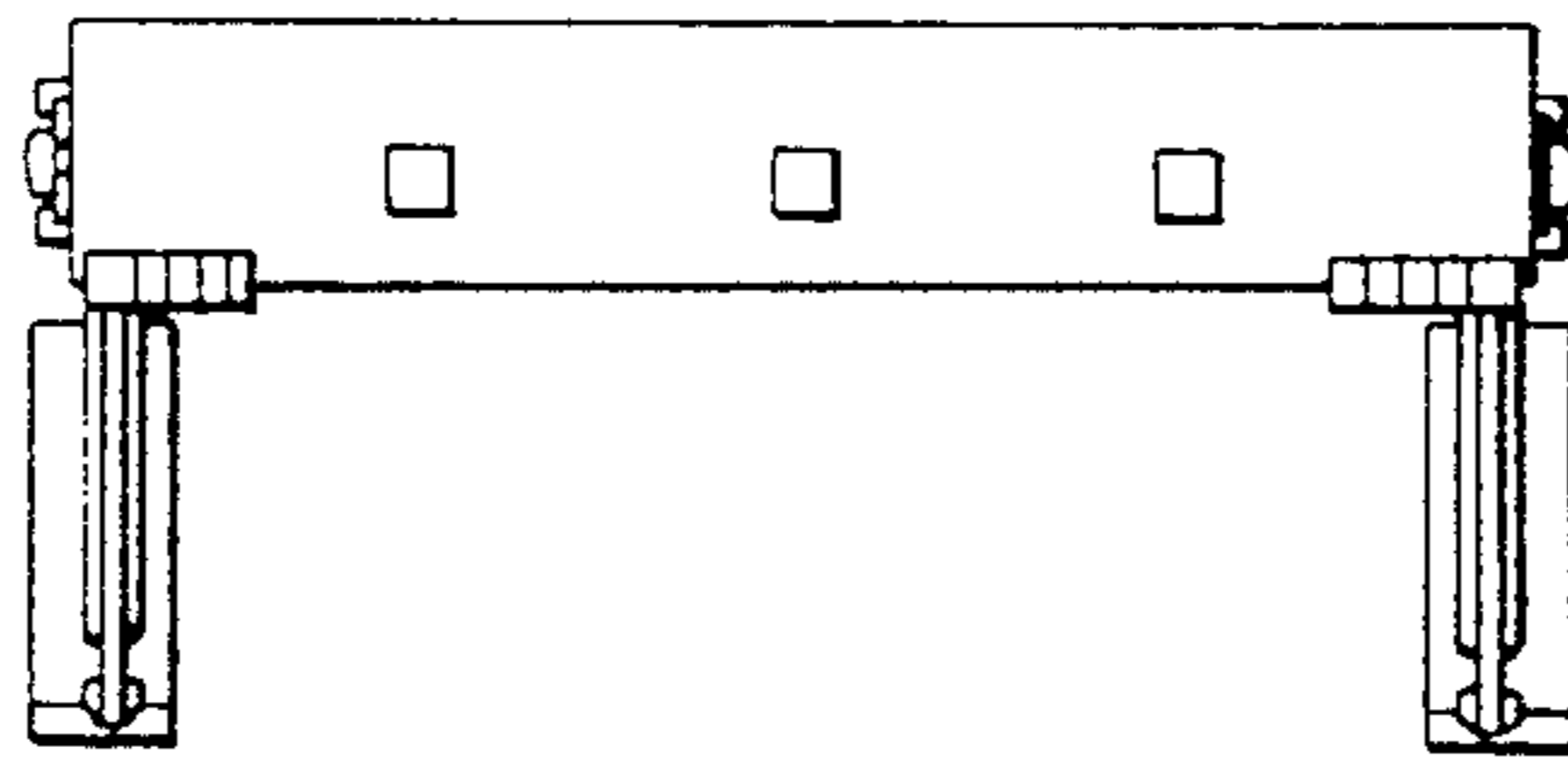


FIG. 6

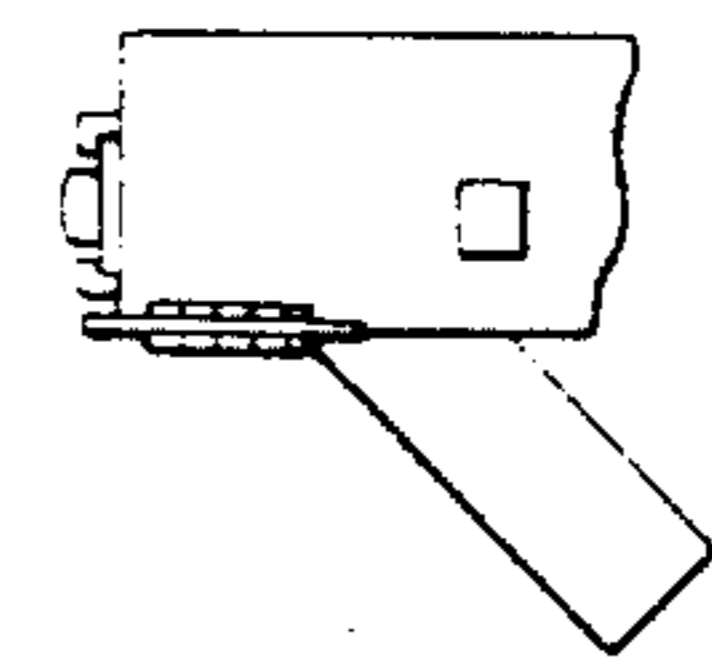


FIG. 7