

[54] CRACK-INDICATION ELEMENT

D. 277,941 3/1985 Dalgren ..... D10/83  
4,175,445 11/1979 Templeton ..... 73/768  
4,493,214 1/1985 Roach ..... 73/786 X

[76] Inventor: Kennert Röshoff, 40 Stormvägen,  
S-951 49 Luleå , Sweden

[\*\*] Term: 14 Years

Primary Examiner—Nelson C. Holtje  
Attorney, Agent, or Firm—Burns, Doane, Swecker &  
Mathis

[21] Appl. No.: 525,922

[22] Filed: Aug. 24, 1983

[57] CLAIM

The ornamental design for a crack-indication element,  
as shown and described.

[30] Foreign Application Priority Data

Feb. 24, 1983 [SE] Sweden ..... 83-0524  
Aug. 22, 1983 [SE] Sweden ..... 83-2138  
[52] U.S. Cl. .... D10/46; D10/83  
[58] Field of Search ..... D10/46, 83, 103;  
73/768, 779, 784, 786

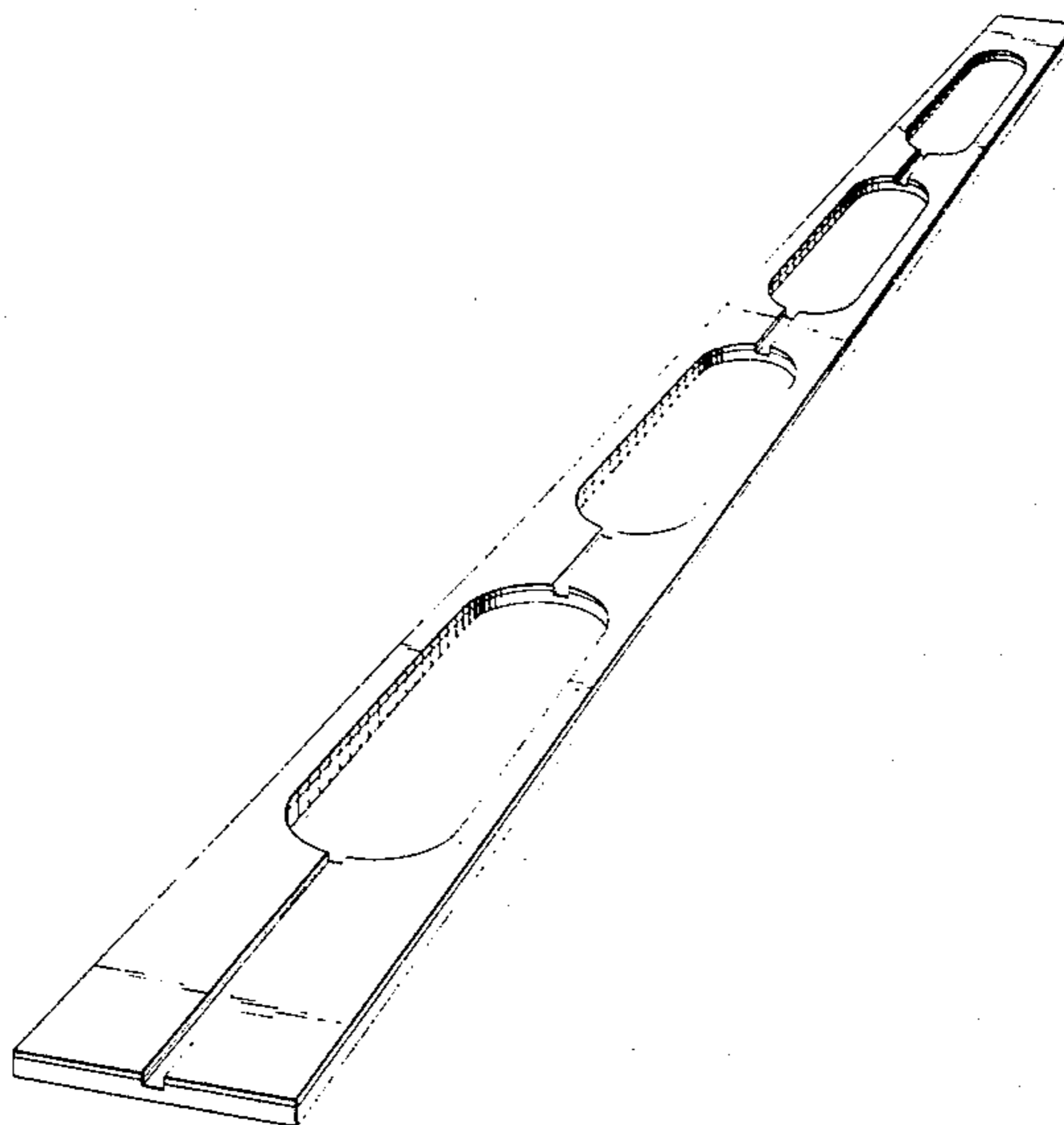
DESCRIPTION

FIG. 1 is a top perspective view of a crack-indication  
element showing my new design;  
FIG. 2 is a bottom perspective view thereof;  
FIG. 3 is a top plan view of another embodiment of my  
new design of FIGS. 1 and 2;  
FIG. 4 is a bottom plan view of FIG. 3;  
FIG. 5 is a left end elevational view of FIG. 3;  
FIG. 6 is a right end elevational view of FIG. 3.

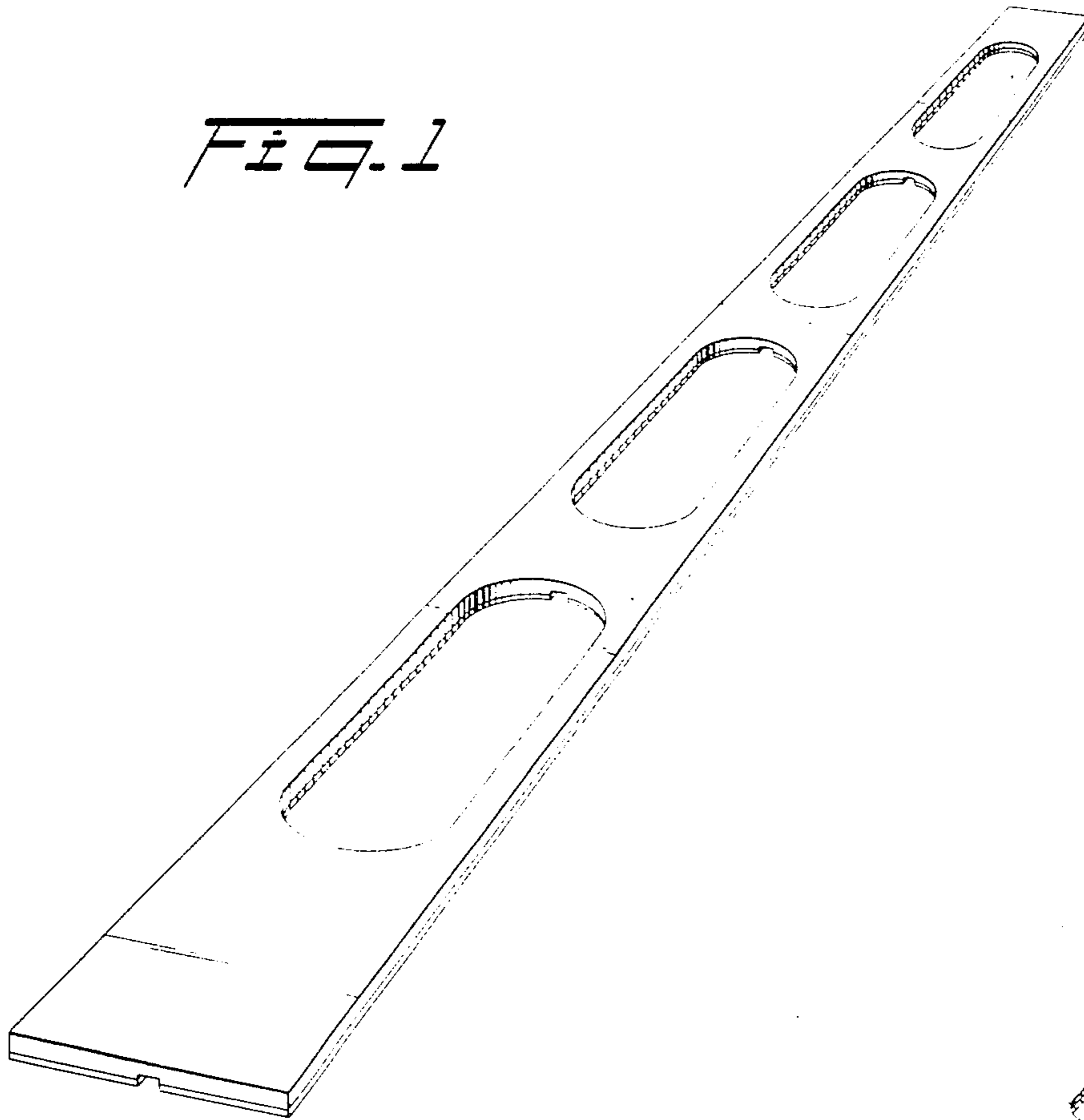
[56] References Cited

U.S. PATENT DOCUMENTS

D. 273,945 5/1984 Homer ..... D10/46 X



*Fig. 1*



*Fig. 2*

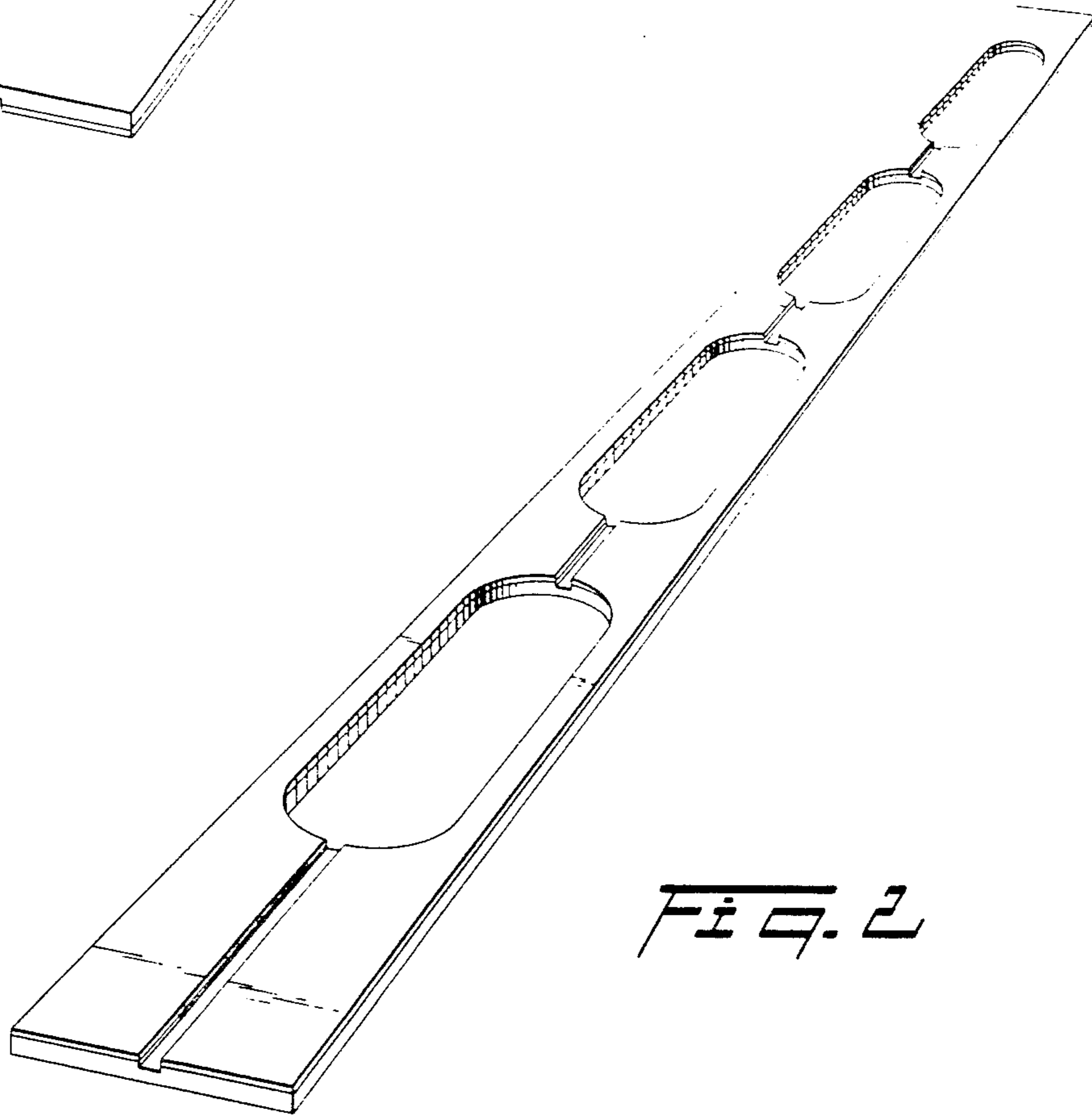


FIG. 3

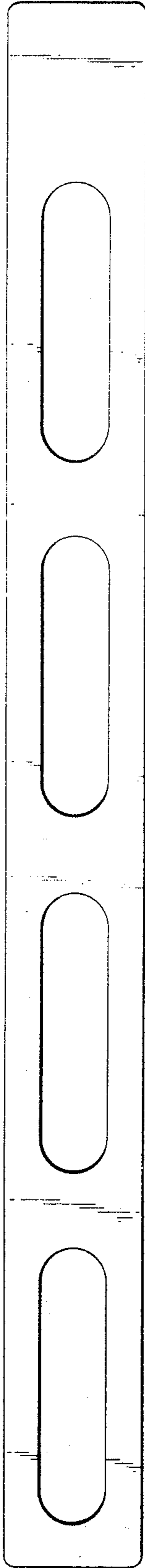


FIG. 4

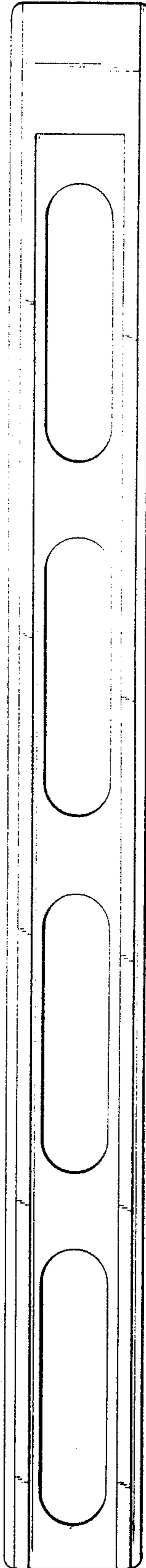


FIG. 5



FIG. 6

