

[54] STANDARD PROJECTOR MARKER FOR MARKING OPTICAL LENSES

1,873,526 8/1932 Allen ..... 356/127  
2,348,858 4/1944 Sheehy ..... 356/127  
2,388,476 11/1945 Esdaile ..... D16/135

[76] Inventor: Luis E. Saumell, 6318 SW. 23 St., Miami, Fla. 33155

OTHER PUBLICATIONS

The Optician, 2/82, p. 24.

[\*\*] Term: 14 Years

Primary Examiner—George P. Word  
Attorney, Agent, or Firm—John Cyril Malloy

[21] Appl. No.: 440,830

[22] Filed: Nov. 12, 1982

[52] U.S. Cl. .... D10/46; D16/130

[58] Field of Search ..... D19/37, 85; D10/122, D10/123, 126, 127, 65, 46; D24/1.1, 8; D16/129, 131, 135, 125, 6, 130; 350/417, 413, 321; 33/16; 356/243, 247

[57] CLAIM

The ornamental design for a standard projector marker for marking optical lenses, as shown and described.

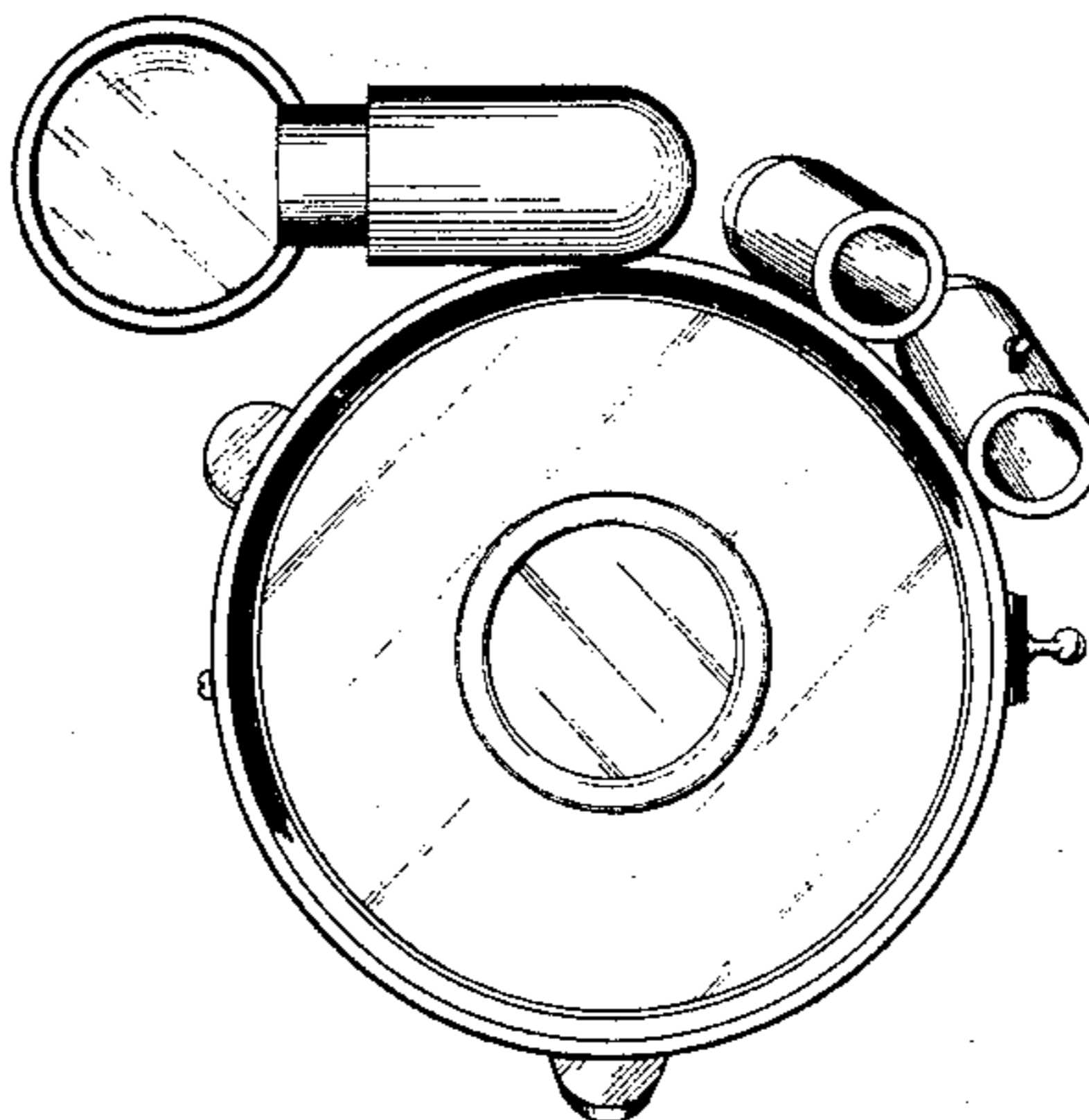
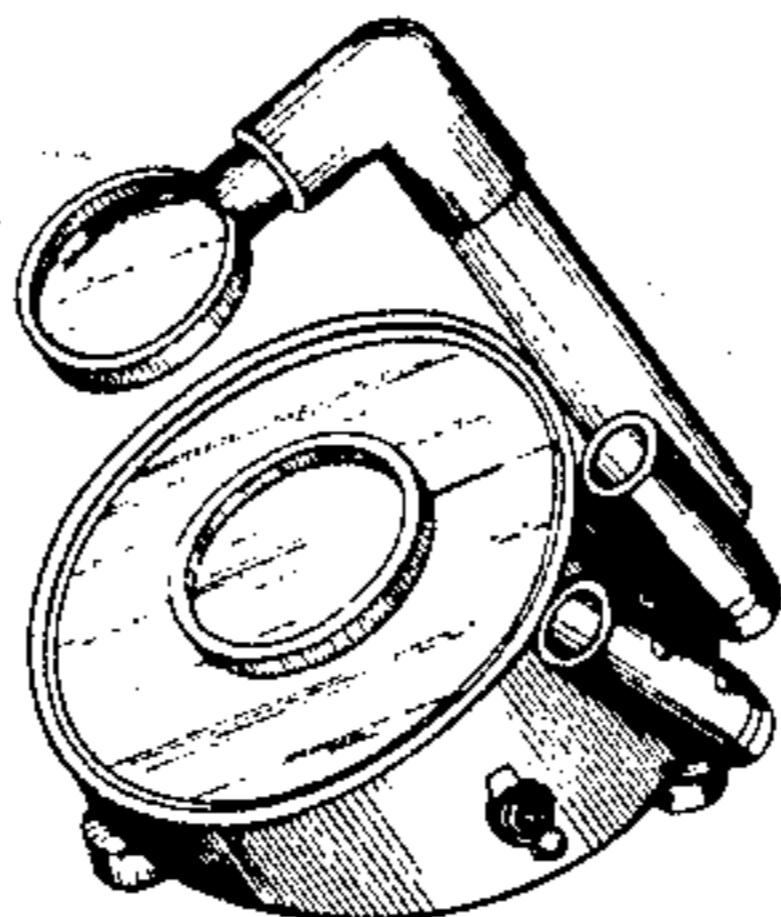
[56] References Cited

U.S. PATENT DOCUMENTS

D. 117,772	11/1939	Kibbe	.....	D16/135
D. 151,951	12/1948	Armbruster	.....	D10/46
D. 246,987	1/1978	Hawkins	.....	D24/8
D. 253,043	10/1979	Gelius	.....	D10/46
D. 253,898	1/1980	Cross	.....	D19/85
D. 266,995	11/1982	Nakayama	.....	D10/46
996,017	6/1911	Haynes	.....	356/127
1,622,776	3/1927	Fisher	.....	356/127

DESCRIPTION

FIG. 1 is a perspective view of a standard projector marker for marking optical lenses showing my new design;  
FIG. 2 is an enlarged scale top plan view of FIG. 1 and with the viewer pivoted to the left side;  
FIG. 3 is a right side elevational view of FIG. 1;  
FIG. 4 is a front elevational view thereof;  
FIG. 5 is a left side elevational view thereof;  
FIG. 6 is a rear elevational view thereof;  
FIG. 7 is a top plan view thereof; and  
FIG. 8 is a bottom plan view thereof.



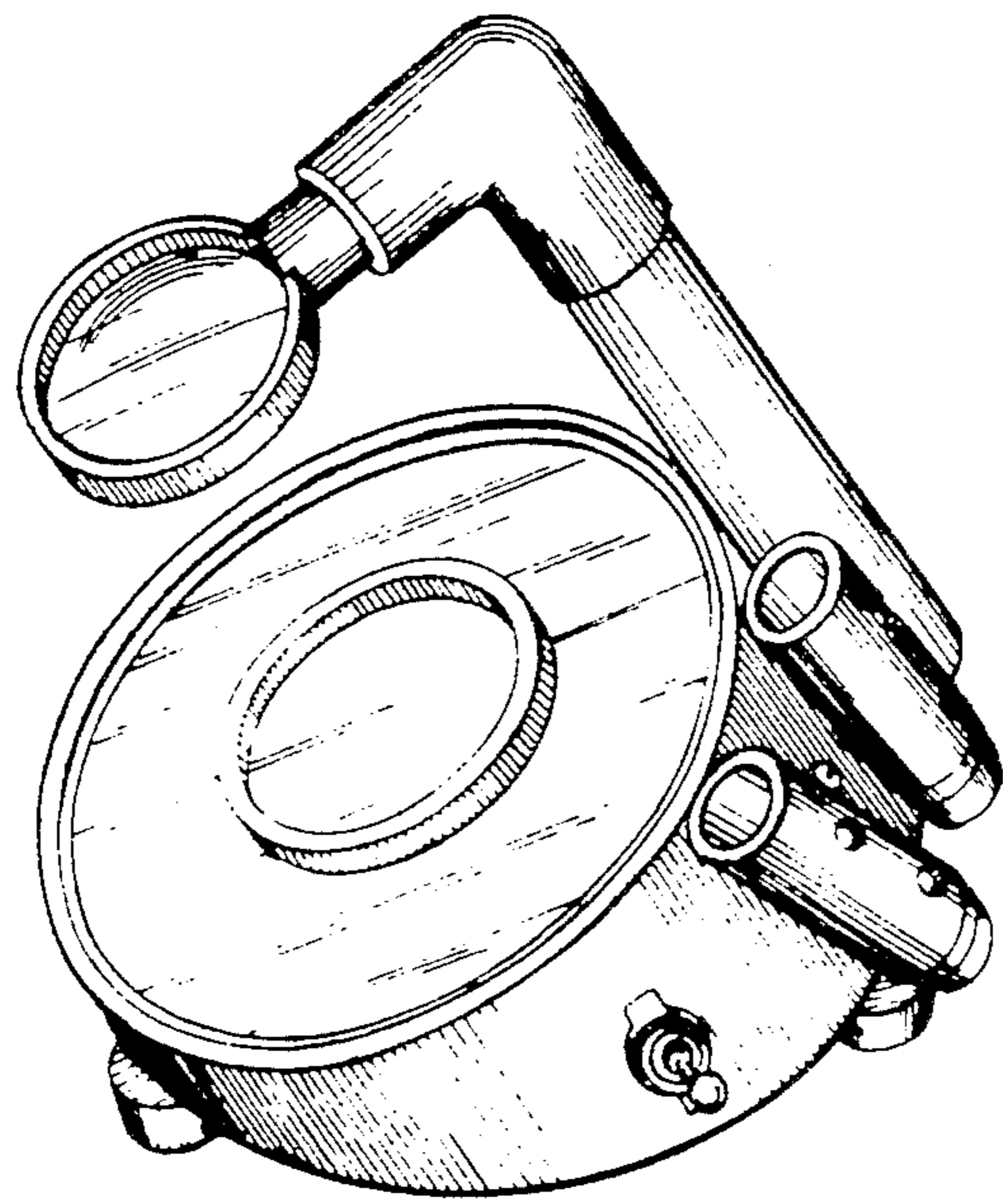


FIG. 1

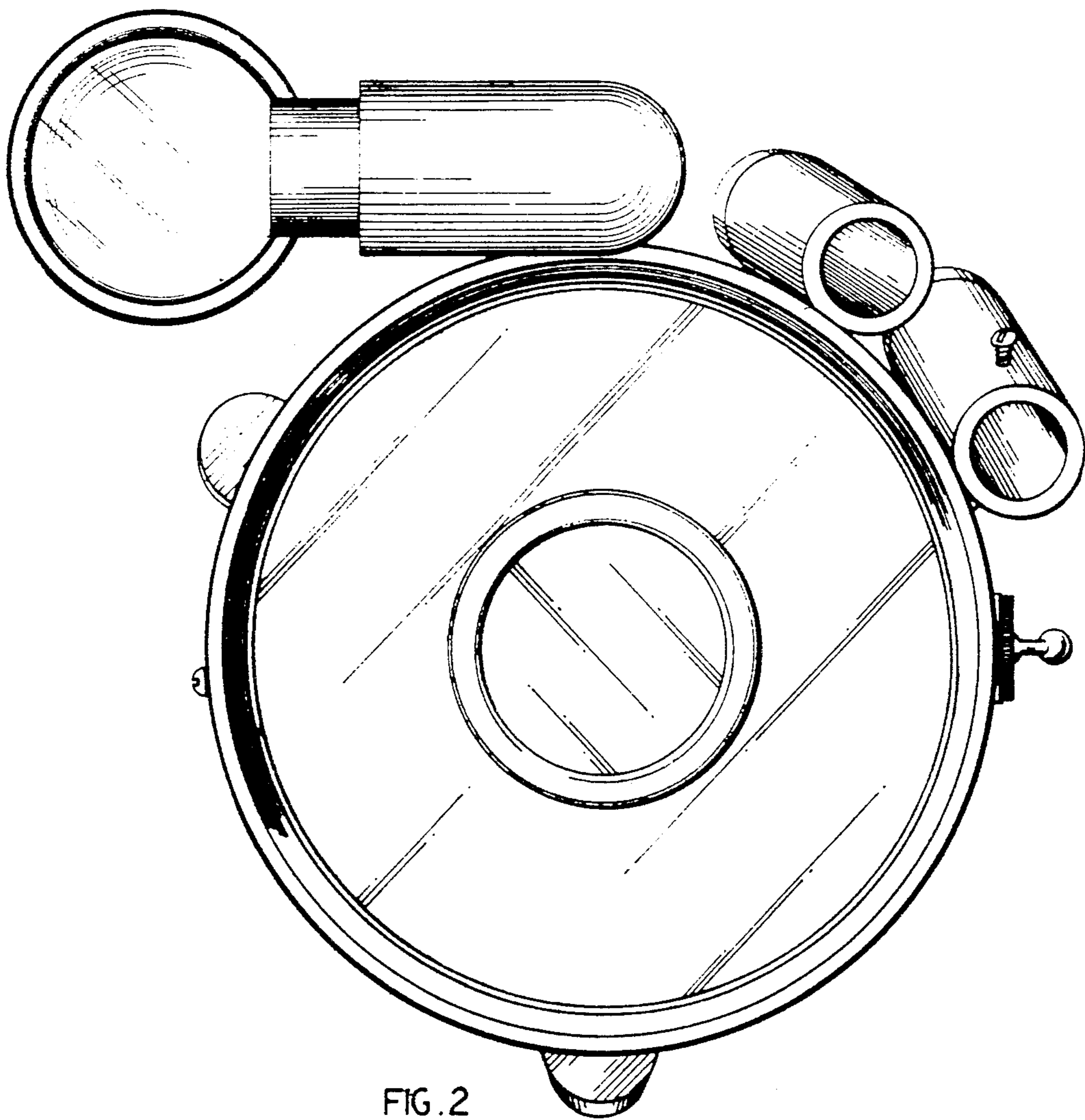


FIG. 2

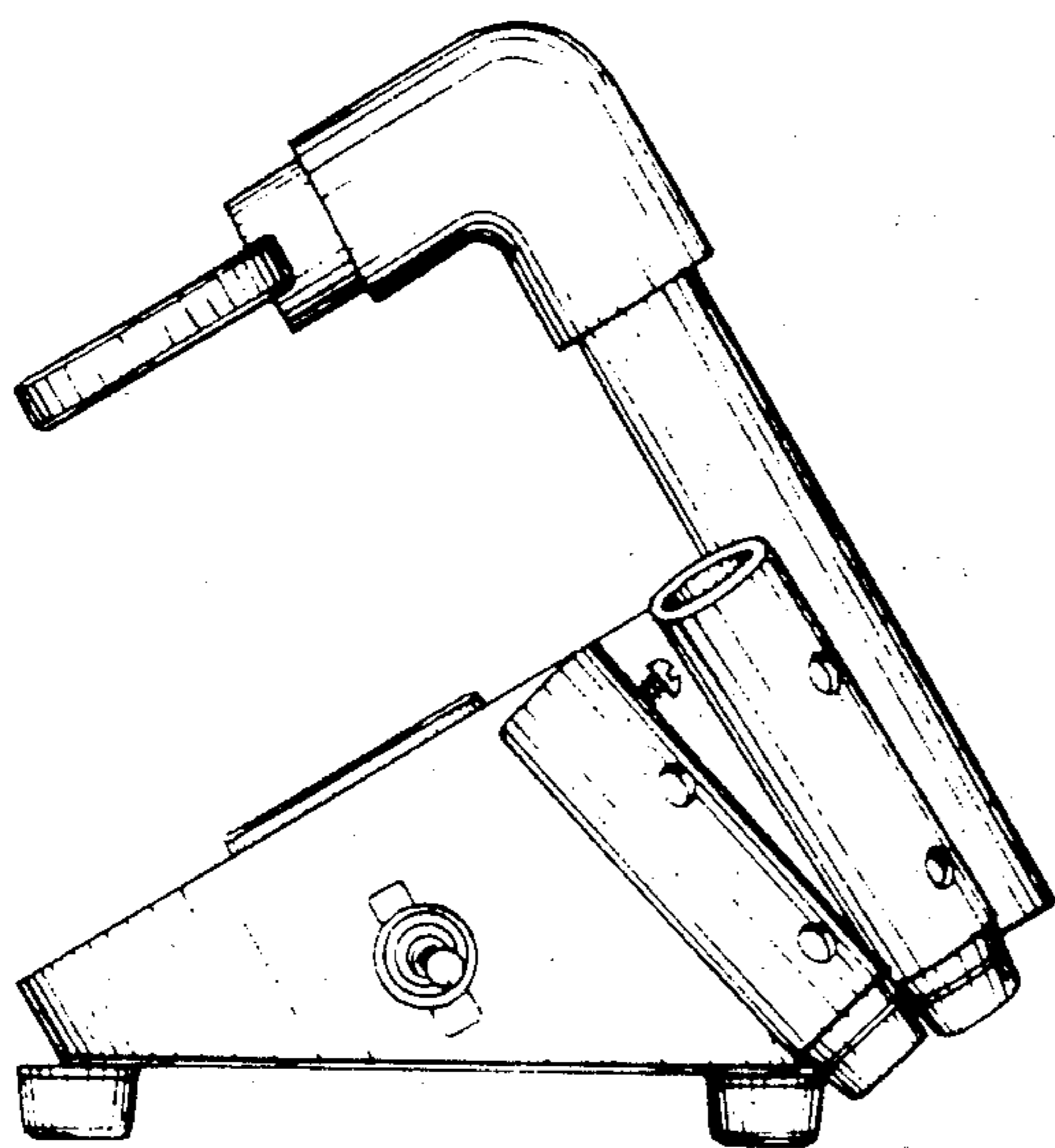


FIG. 3

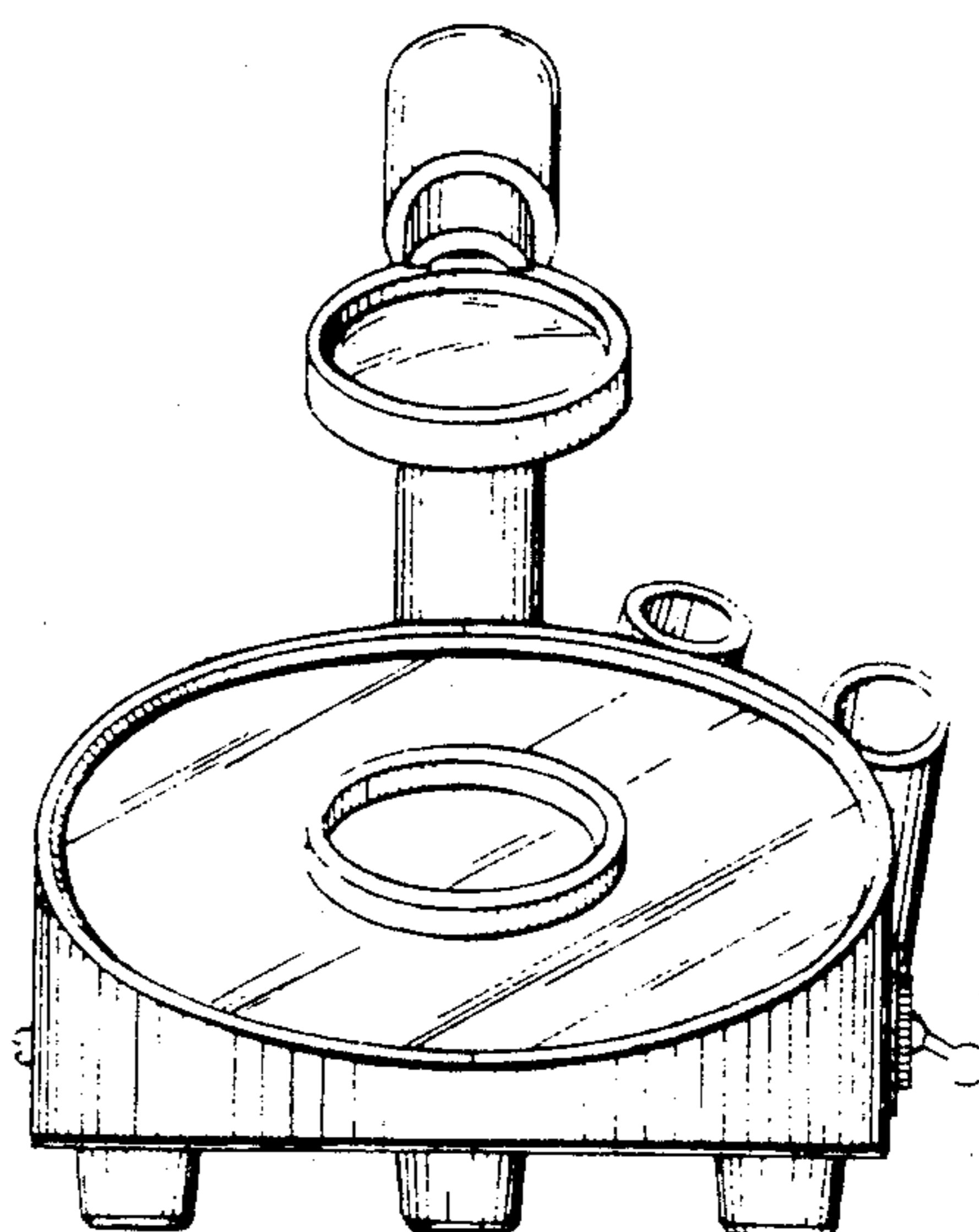


FIG. 4

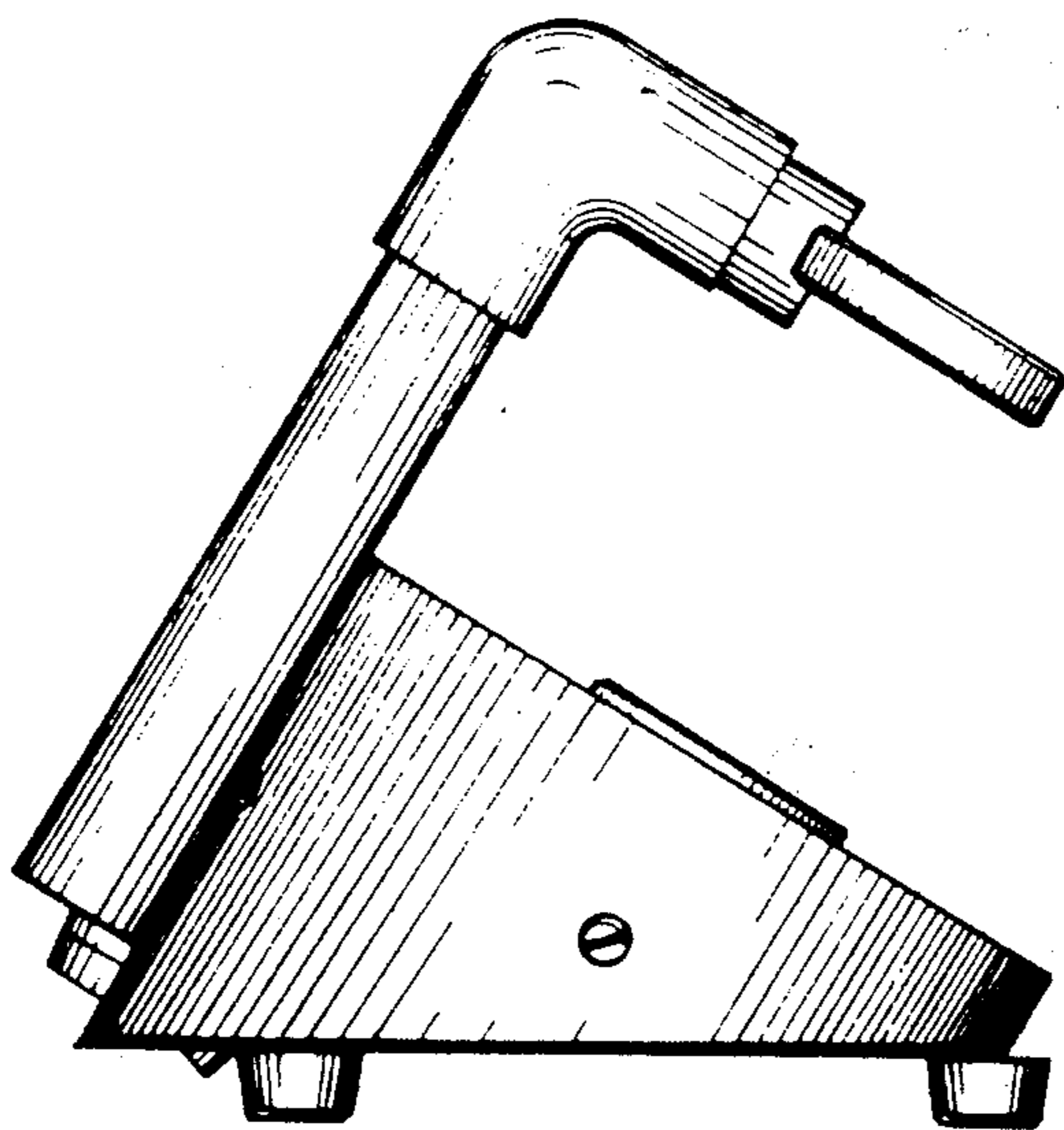


FIG. 5

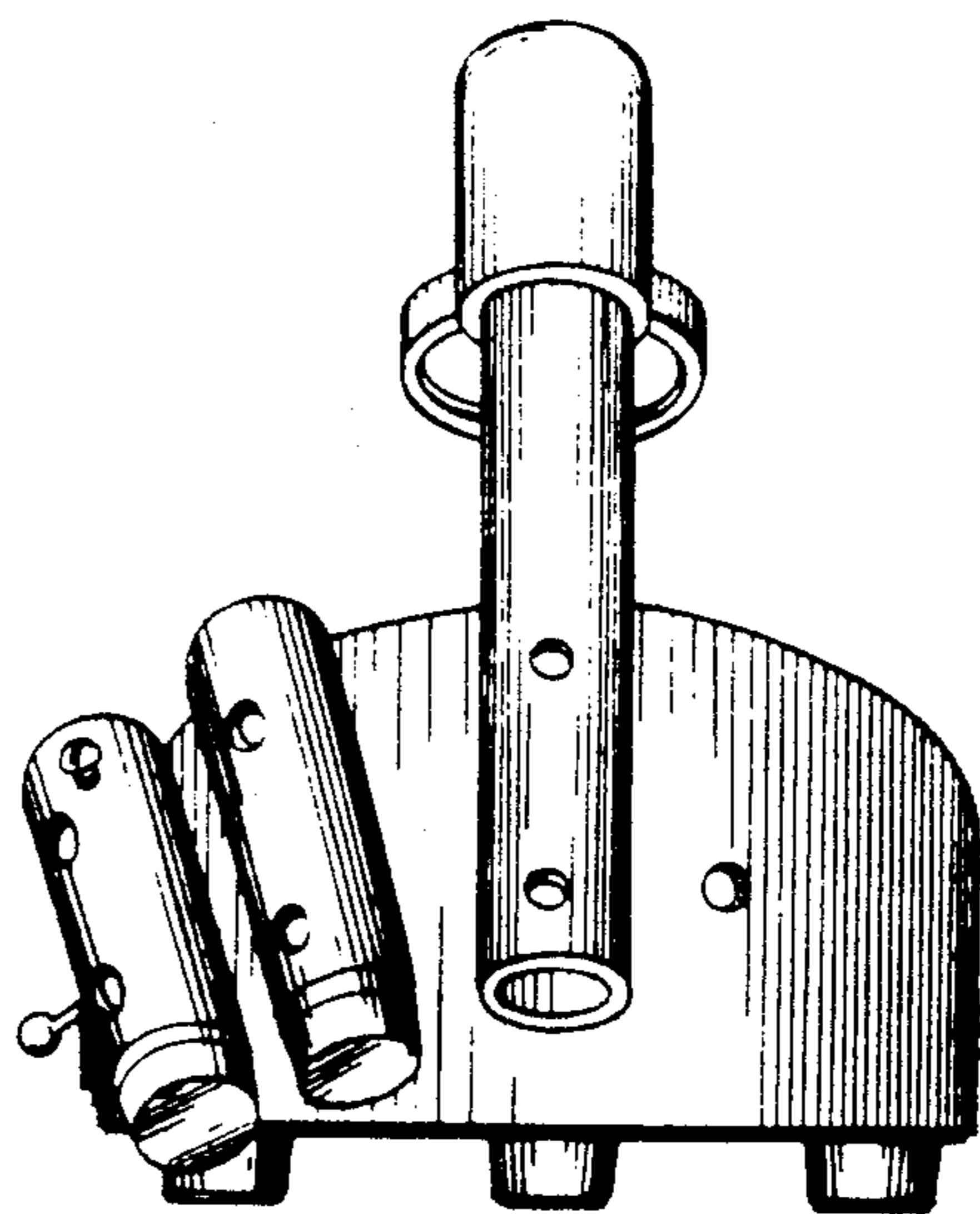


FIG. 6

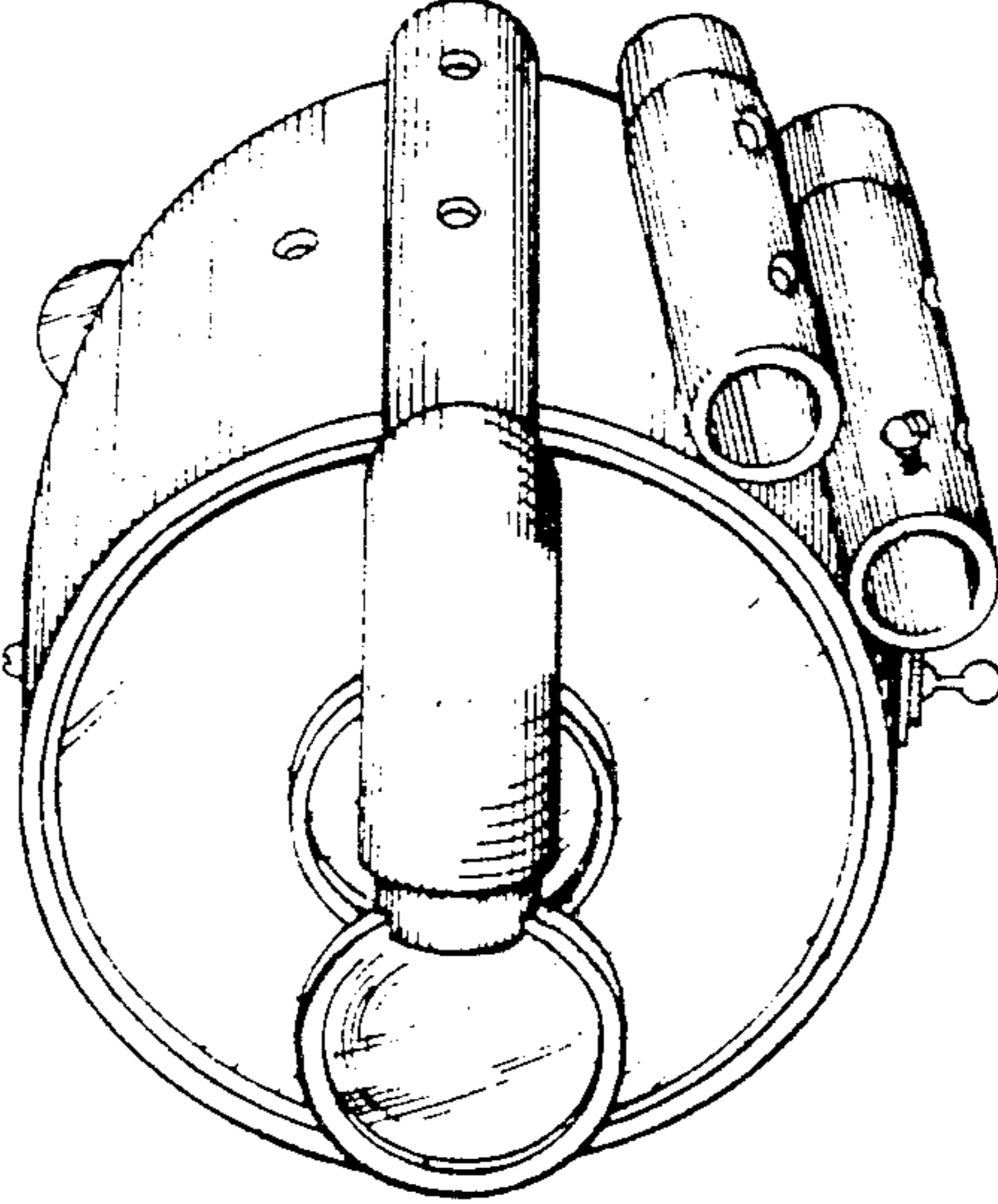


FIG. 7

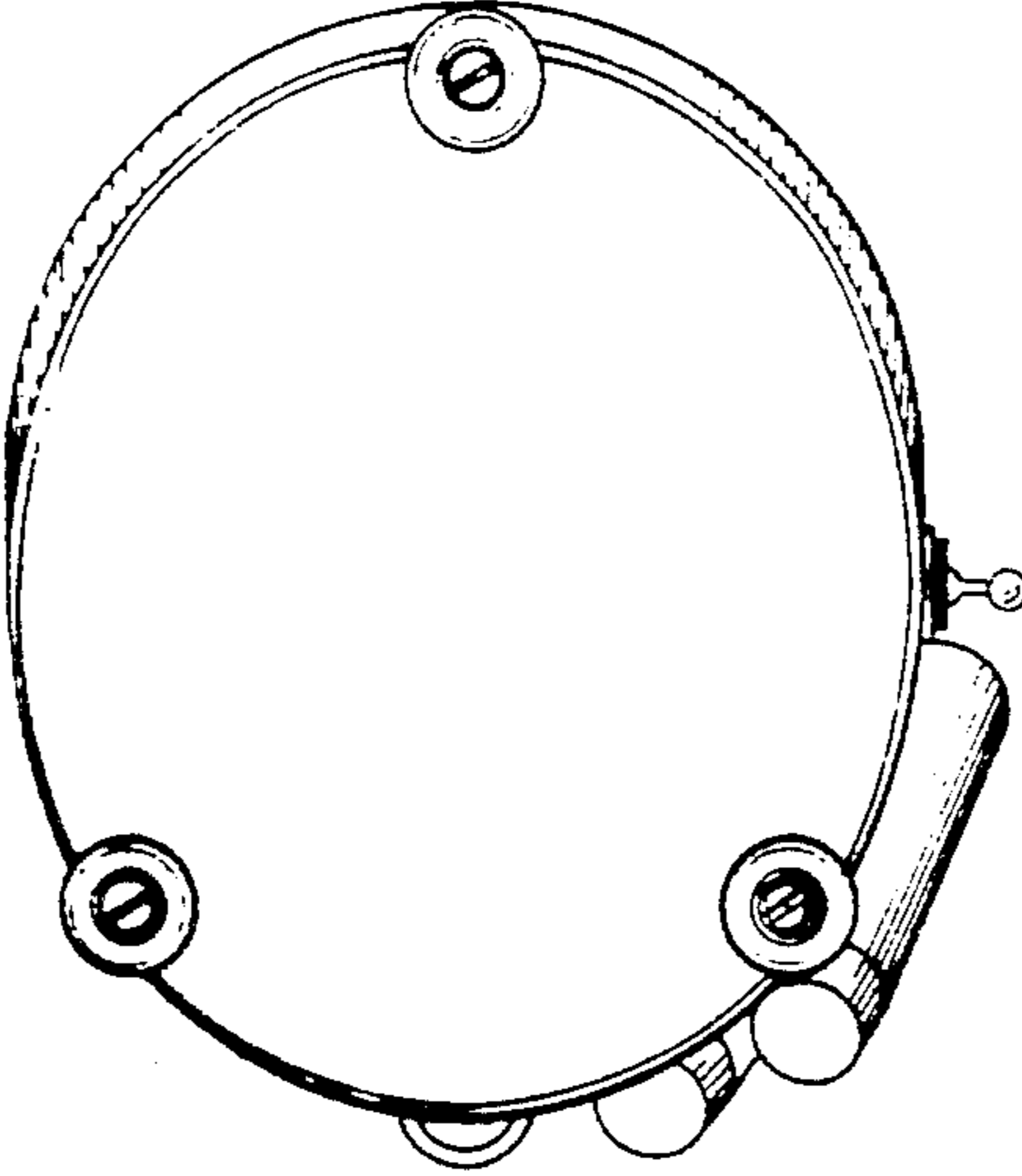


FIG. 8