

[54] **CONDIMENT CONTAINER CLOSURE**

[76] Inventors: **Lyle F. Shabram, Sr.**, P.O. Box 5537, Carmel, Calif. 93921; **Lyle F. Shabram, Jr.**, 1215 Surf Ave., Pacific Grove, Calif. 93950

[**] Term: **14 Years**

[21] Appl. No.: **510,594**

[22] Filed: **Jul. 5, 1983**

[52] U.S. Cl. **D7/392; D9/436**

[58] Field of Search **D7/392, 391, 53, 387; D9/436, 437, 454; 222/480, 151, 565**

[56] **References Cited**

U.S. PATENT DOCUMENTS

D. 232,687	9/1974	Reyda	D7/52 X
1,139,841	5/1915	Bright	222/151 X
3,018,024	1/1962	Foord	222/565 X
4,223,814	9/1980	Sneider	222/565
4,253,587	3/1981	Otterson	222/151

FOREIGN PATENT DOCUMENTS

844981	5/1939	France	222/151
--------	--------	--------------	---------

Primary Examiner—Bernard Ansher

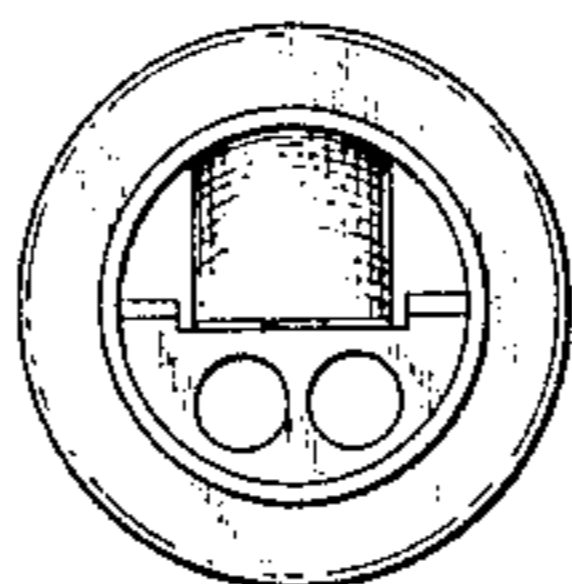
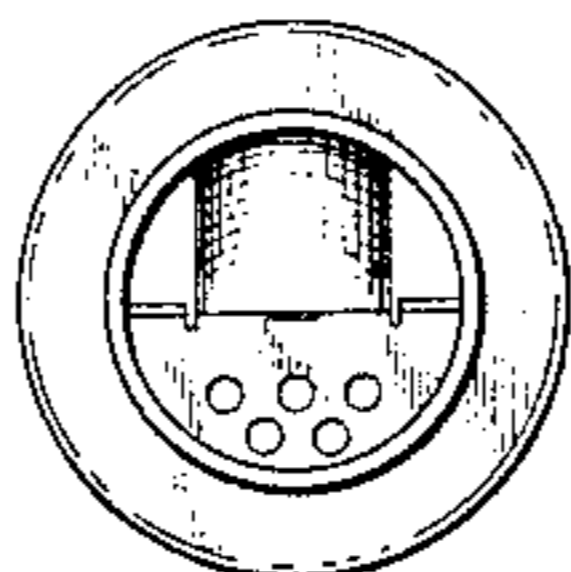
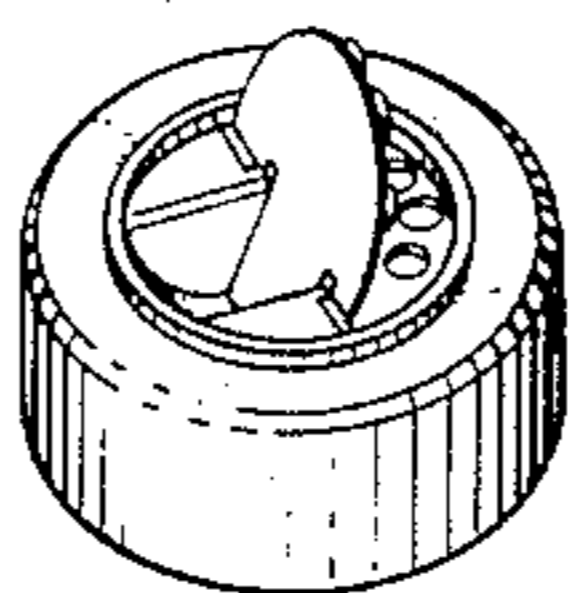
Assistant Examiner—Terry Pfeffer
Attorney, Agent, or Firm—Claude A. S. Hamrick

[57] **CLAIM**

The ornamental design for a condiment container closure, substantially as shown and described.

DESCRIPTION

FIG. 1 is a perspective view of a condiment container closure showing our new design;
 FIG. 2 is a side elevational view thereof showing the pivotable closure flap exploded upwardly;
 FIG. 3 is a top plan view thereof showing the closure flap in its closed position;
 FIG. 4 is a top plan view thereof, the closure flap removed for ease of illustration;
 FIG. 5 is a top plan view of the closure flap, removed for ease of illustration;
 FIG. 6 is a bottom plan view of that shown in FIG. 4;
 FIG. 7 is a bottom plan view of that shown in FIG. 5;
 FIG. 8 is a top plan view of a second embodiment of that shown in FIG. 1 with the closure flap removed for ease of illustration;
 FIG. 9 is a bottom plan view of the closure flap of that shown in FIG. 8, removed for ease of illustration; and
 FIG. 10 is a bottom plan view of that shown in FIG. 8.



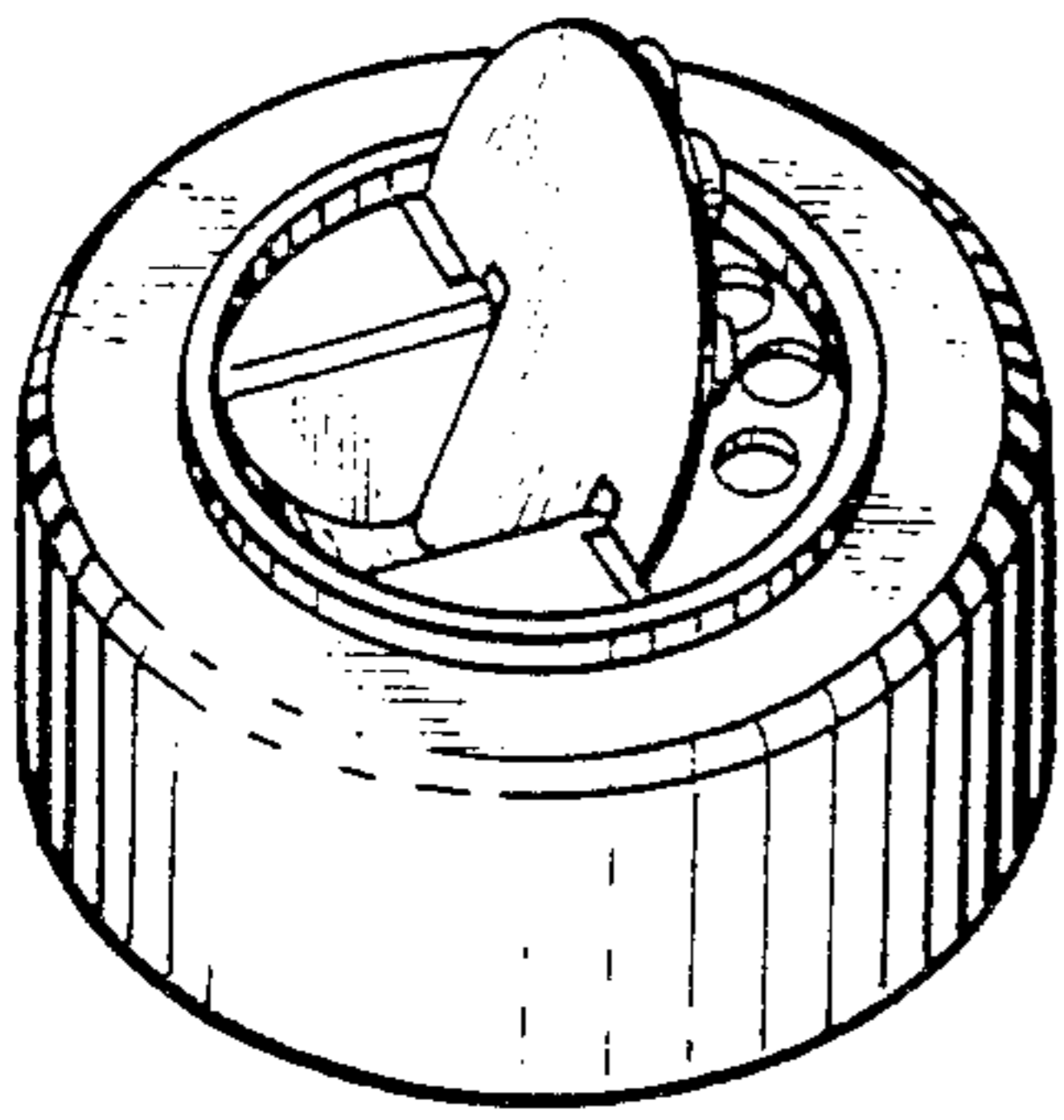


Fig. 1

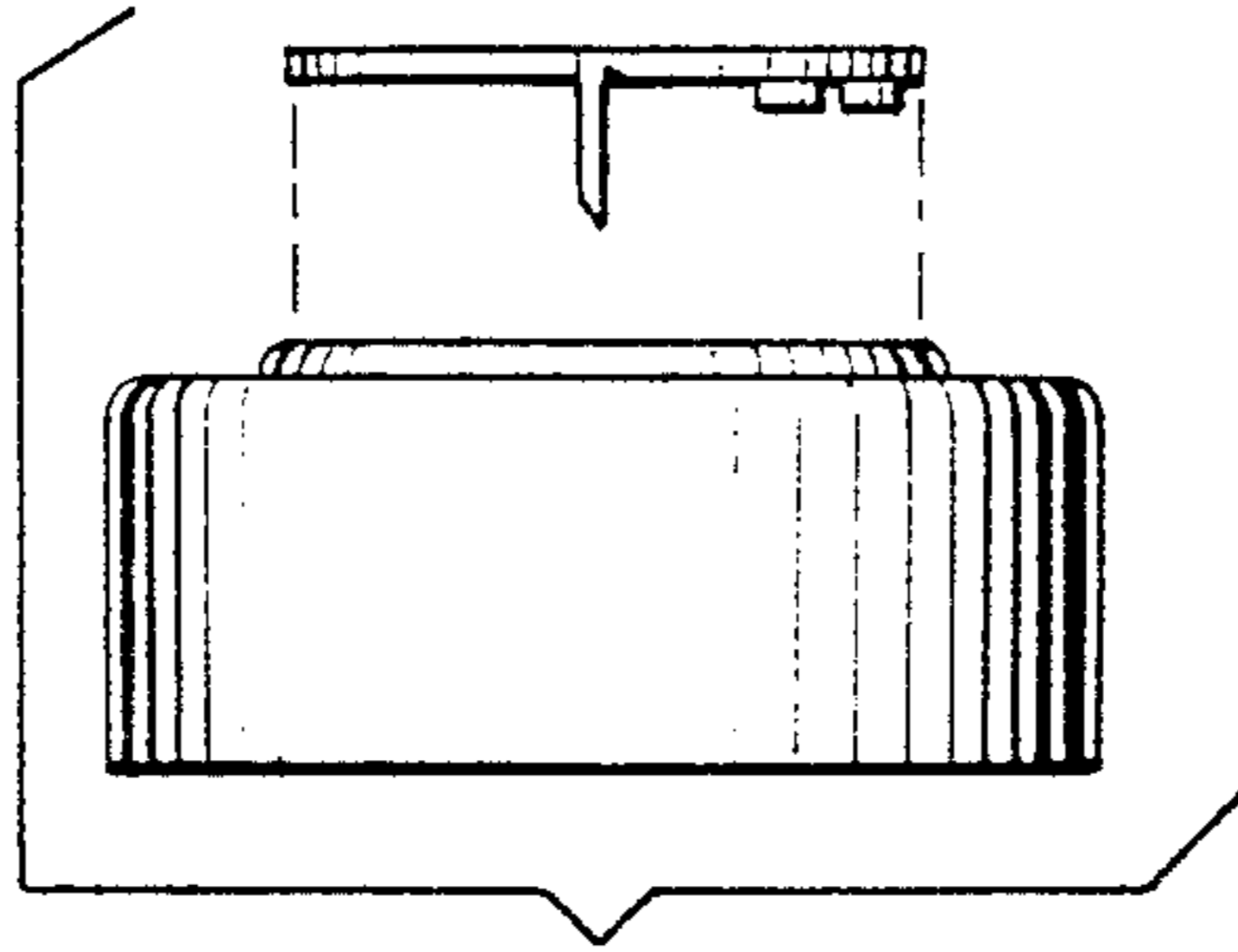


Fig. 2

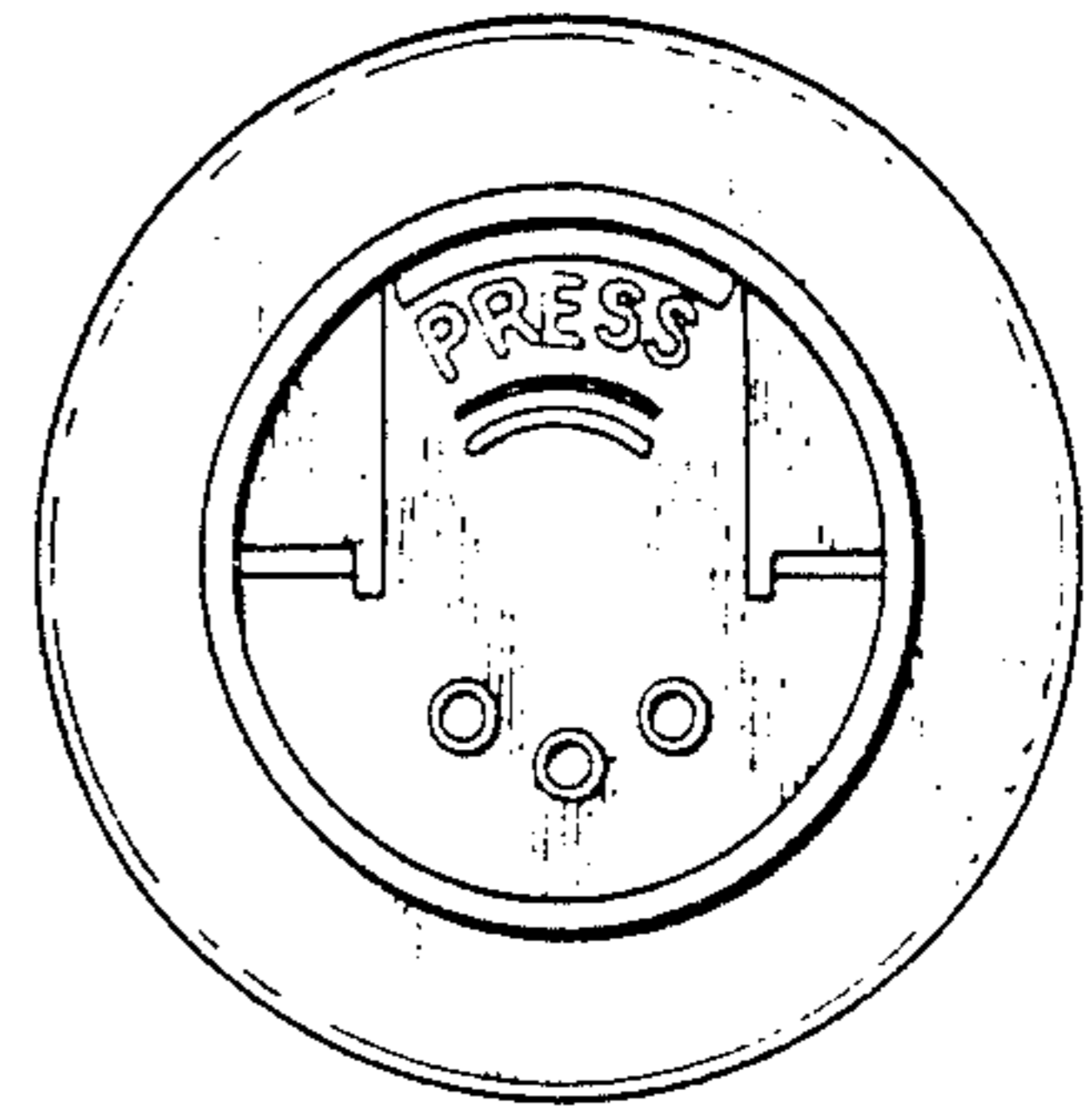


Fig. 3

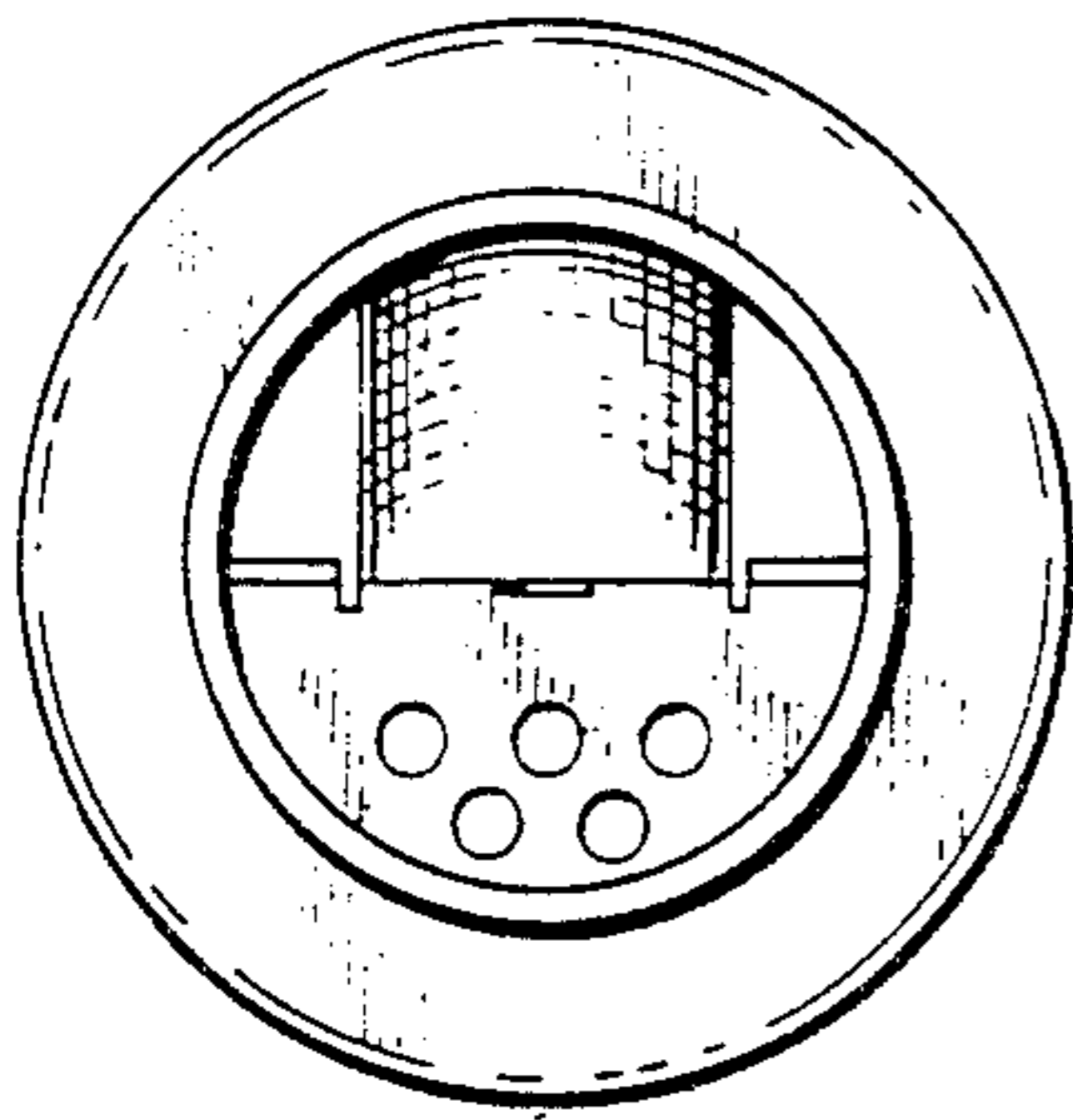


Fig. 4

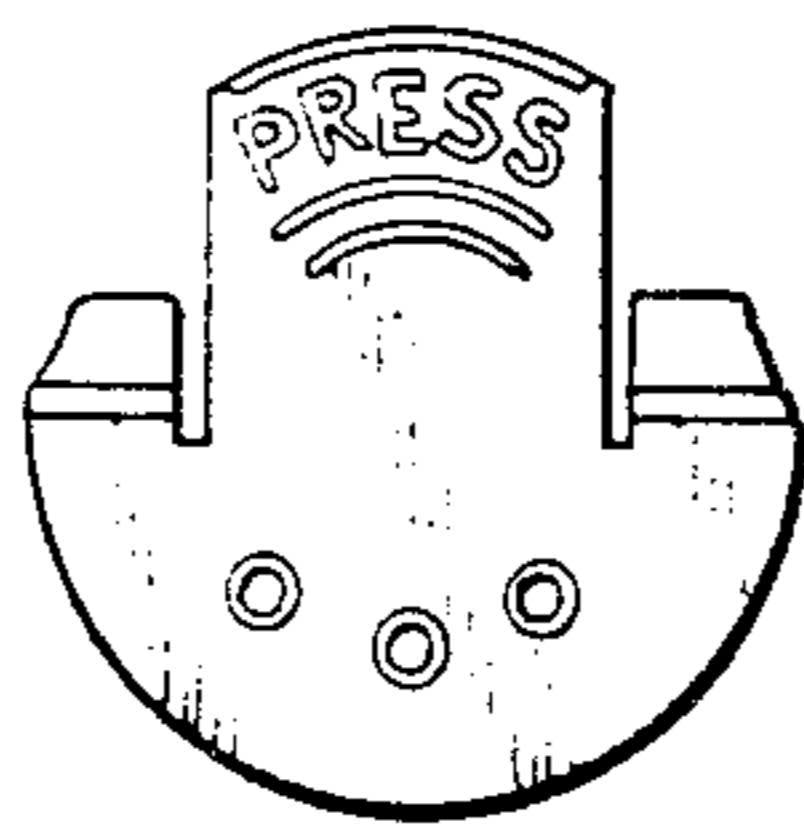


Fig. 5

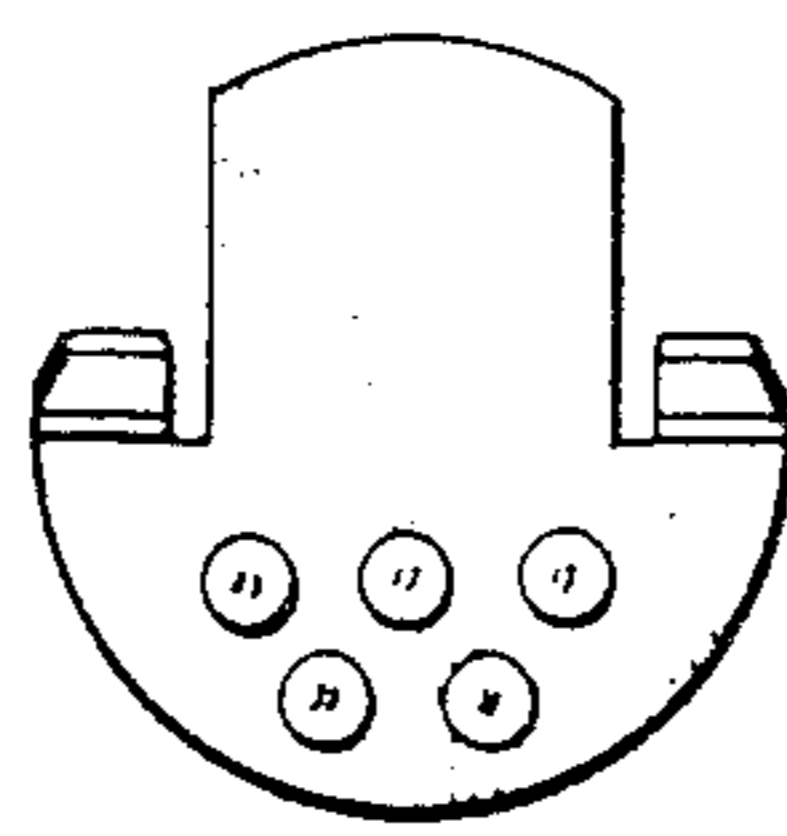


Fig. 7

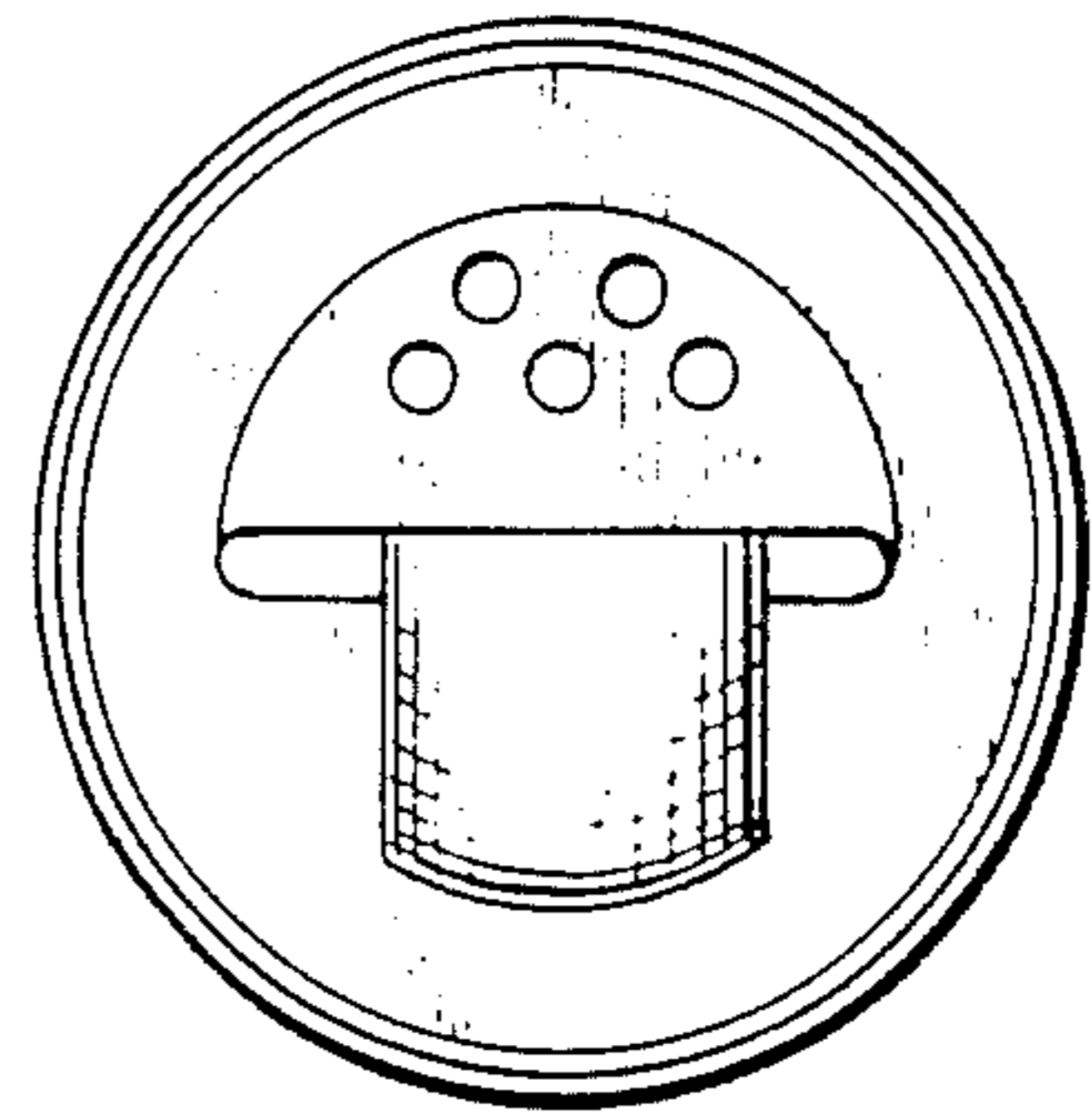


Fig. 6

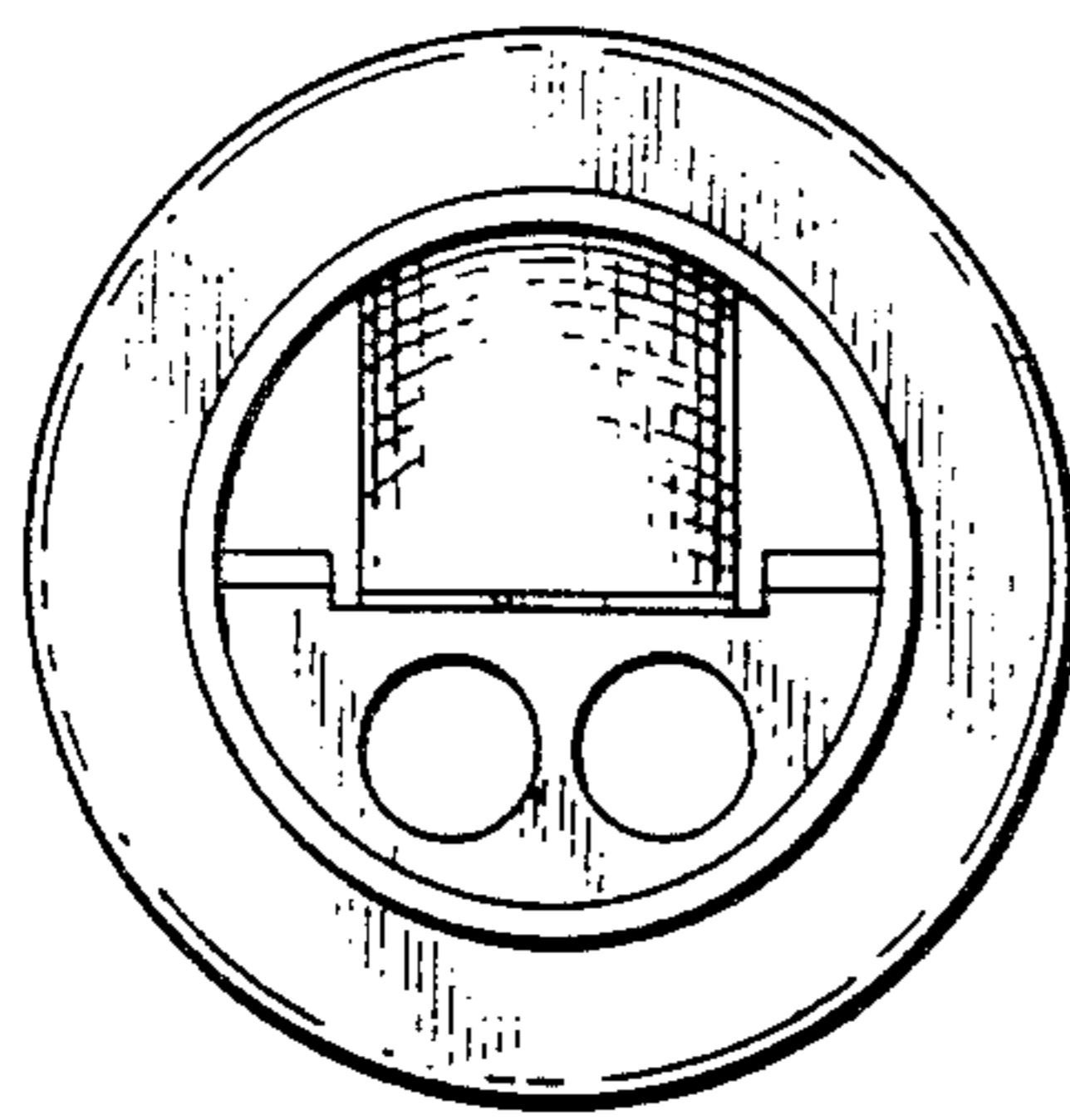


Fig. 8

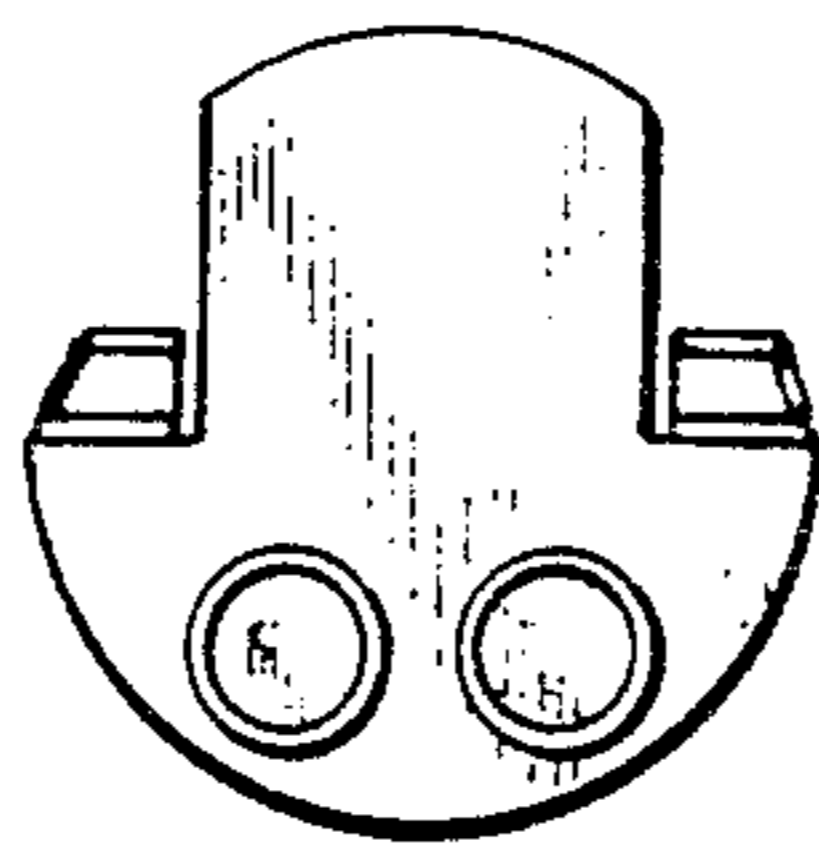


Fig. 9

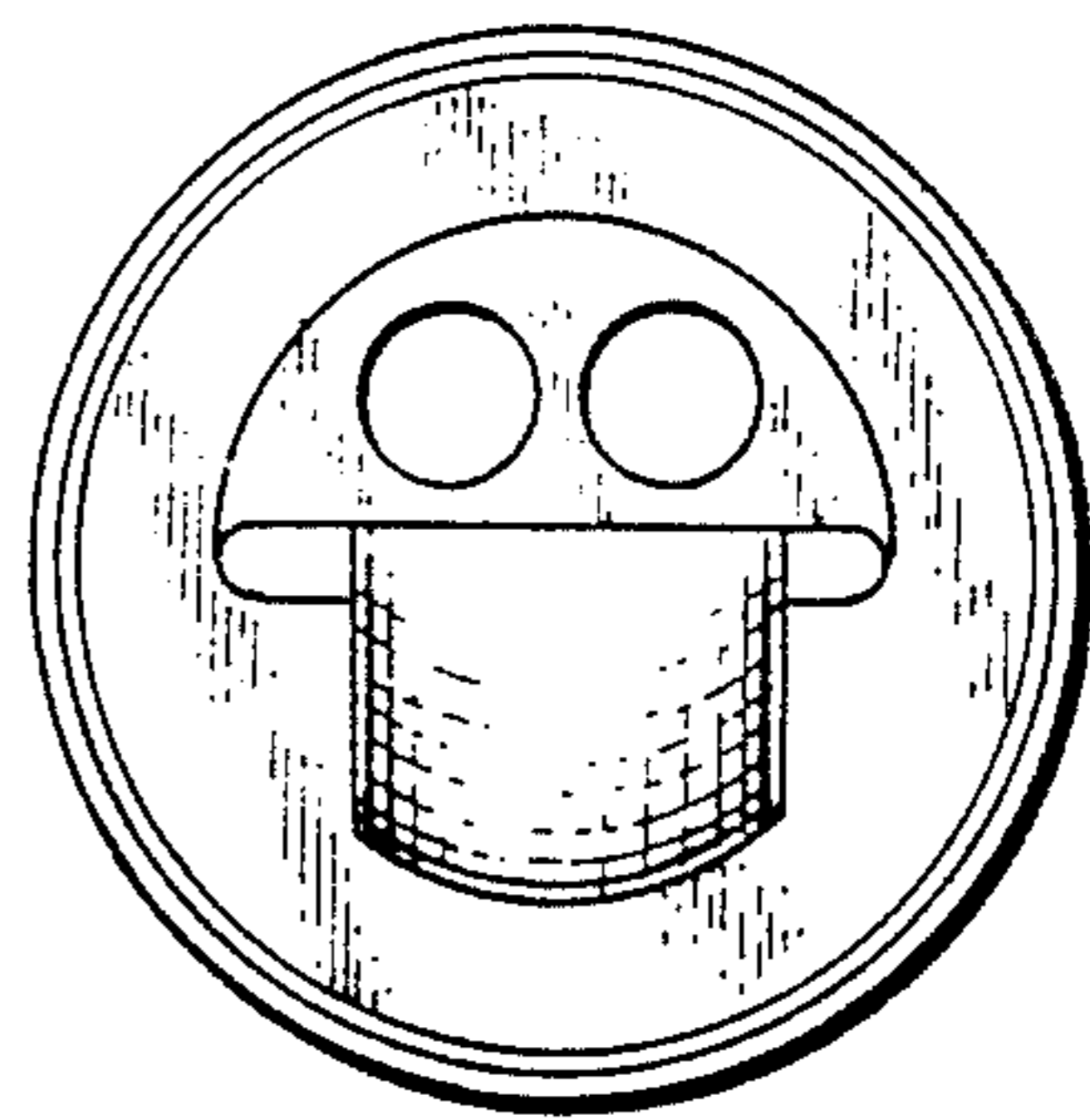


Fig. 10