

[54] COMPUTER DESK

DESCRIPTION

[75] Inventors: David R. Strand, Greenbrier, Ark.; C. Douglas Turnbull, Chicago, Ill.

[73] Assignee: Strand Inc., Conway, Ark.

[**] Term: 14 Years

[21] Appl. No.: 443,043

[22] Filed: Nov. 19, 1982

[52] U.S. Cl. D6/478; D6/422; D6/484

[58] Field of Search D6/146-149, D6/177-179, 161, 162

[56] References Cited PUBLICATIONS

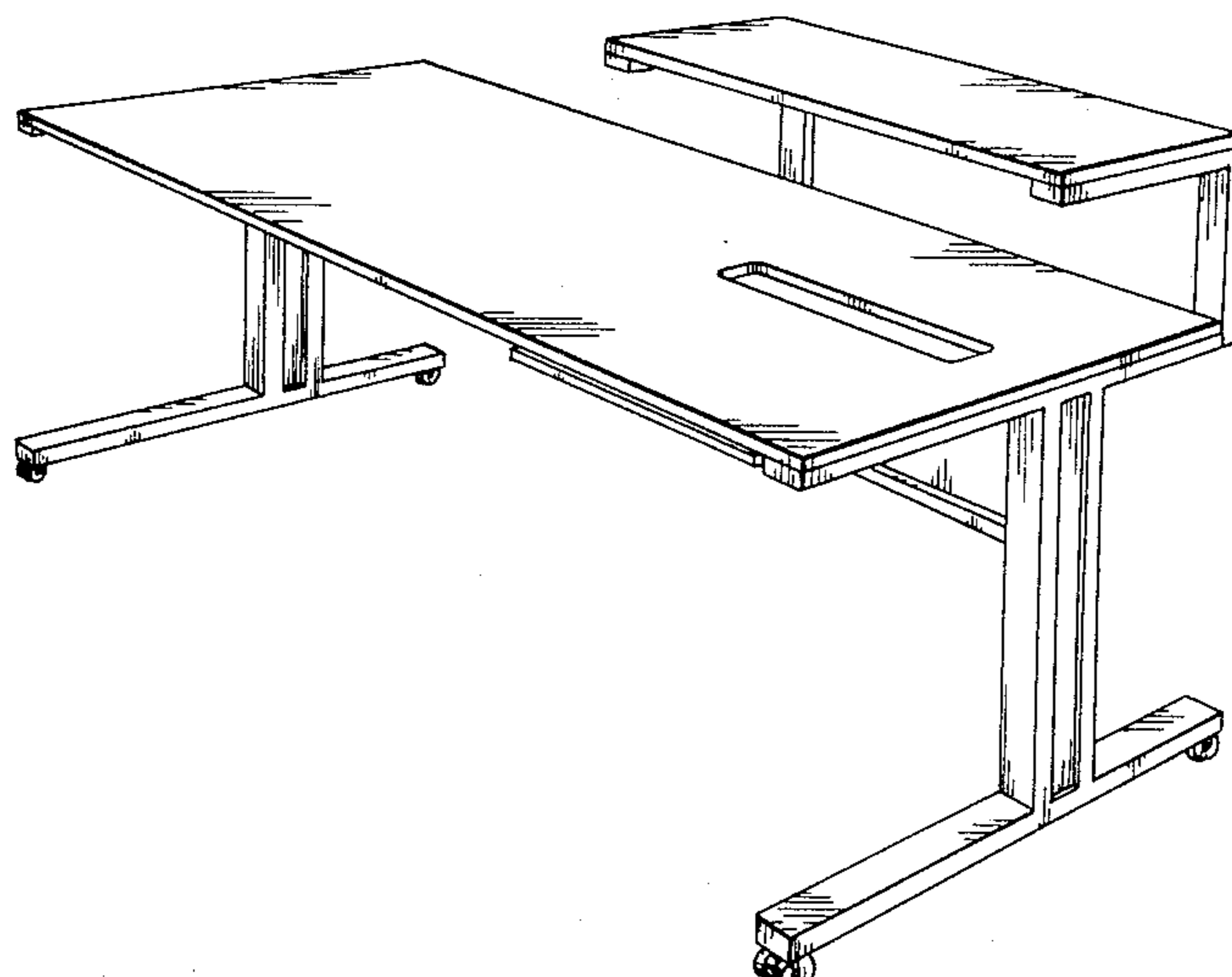
Tiffany Stand Brochure ©1981, p. 5, Desk No. 307229. The Office, Nov. 1979, p. 168, Desk, top right by Systems Furn. Co. Interiors, Mar. 1963, p. 115, Desk, top right by Jens Risom. Tiffany Stand Brochure, ©1981, p. 8, Printer Station No. 2130PS.

Primary Examiner—Bruce W. Dunkins Attorney, Agent, or Firm—Stephen D. Carver

[57] CLAIM

The ornamental design for a computer desk, as shown and described.

FIG. 1 is a perspective view of the best mode of a computer desk constructed in accordance with the teachings of this invention, with its elevated shelf disposed in its preferred position, and with its sliding shelf disposed in its normally closed position; FIG. 2 is a right side elevational view of the computer desk of FIG. 1; FIG. 3 is a left side elevational view of the computer desk of FIG. 1; FIG. 4 is a top plan view of the computer desk of FIG. 1; FIG. 5 is a rear elevational view of the computer desk of FIGS. 1-4; FIG. 6 is a front elevational view of the computer desk of FIGS. 1-5; FIG. 7 is a perspective view of a modified form of the desk of FIG. 1 wherein the sliding shelf is in a closed position; FIG. 8 is a top plan view of the computer desk as it is shown in FIG. 7; FIG. 9 is a perspective view of the computer desk of the present design, with its elevated shelf disposed in the alternative position illustrated previously in FIGS. 7 and 8, but with its sliding shelf disposed in its deployed position; FIG. 10 is a top plan view of the computer desk as it is shown in FIG. 9; FIG. 11 is a right side elevational view of the computer desk as shown in FIGS. 9 and 10; and, FIG. 12 is a left side elevational view of the computer desk as shown in FIGS. 9-11.



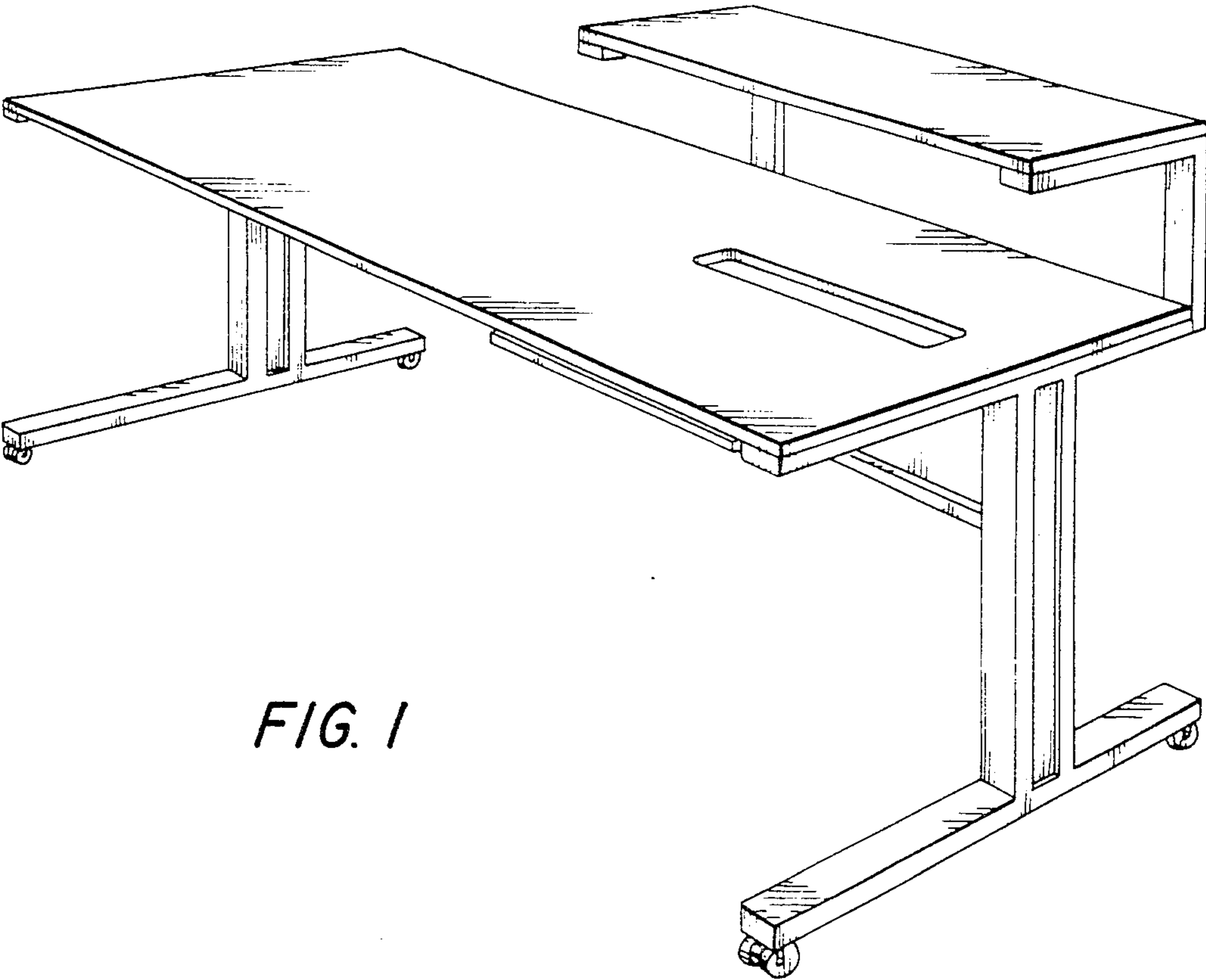


FIG. 1

FIG. 2

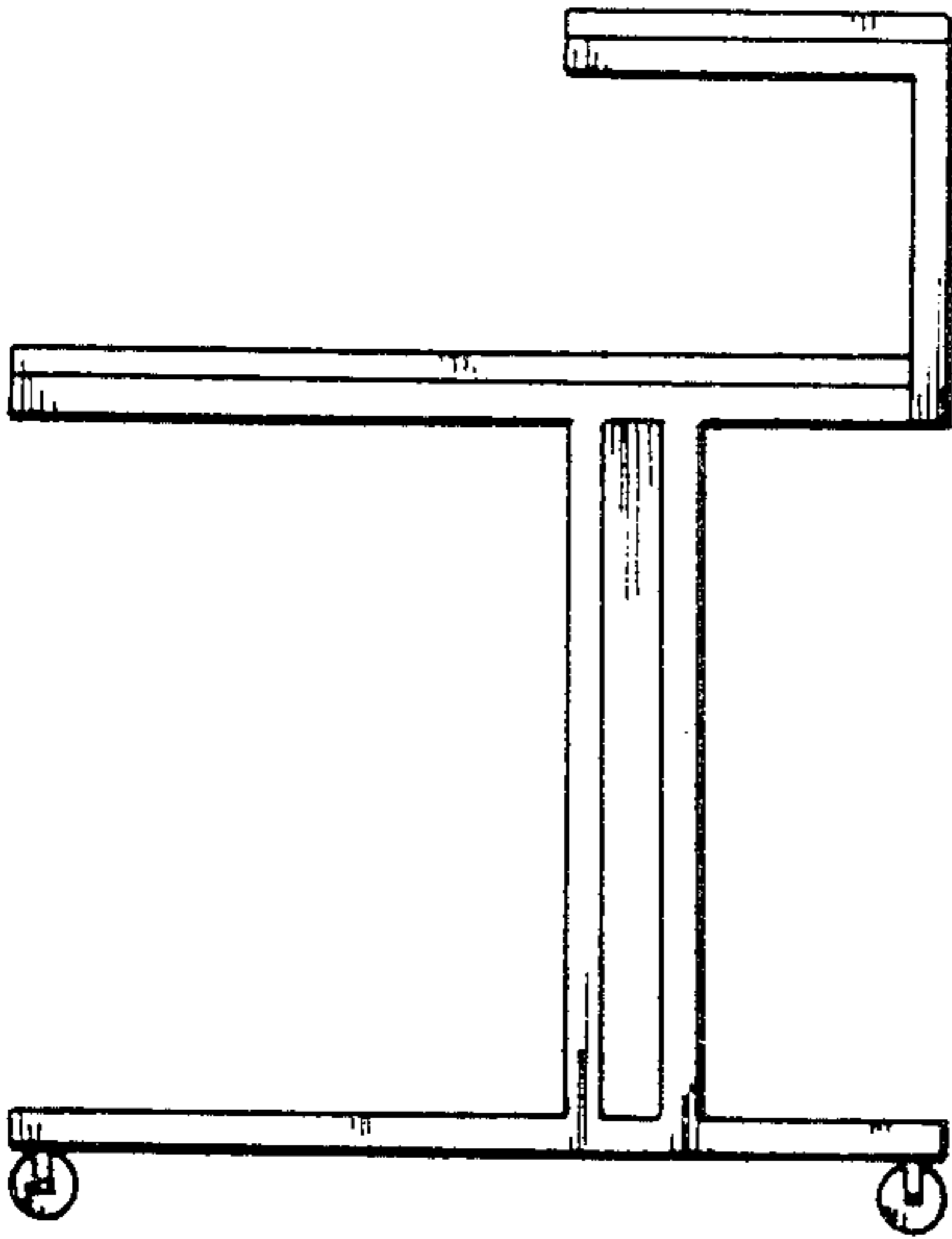


FIG. 3

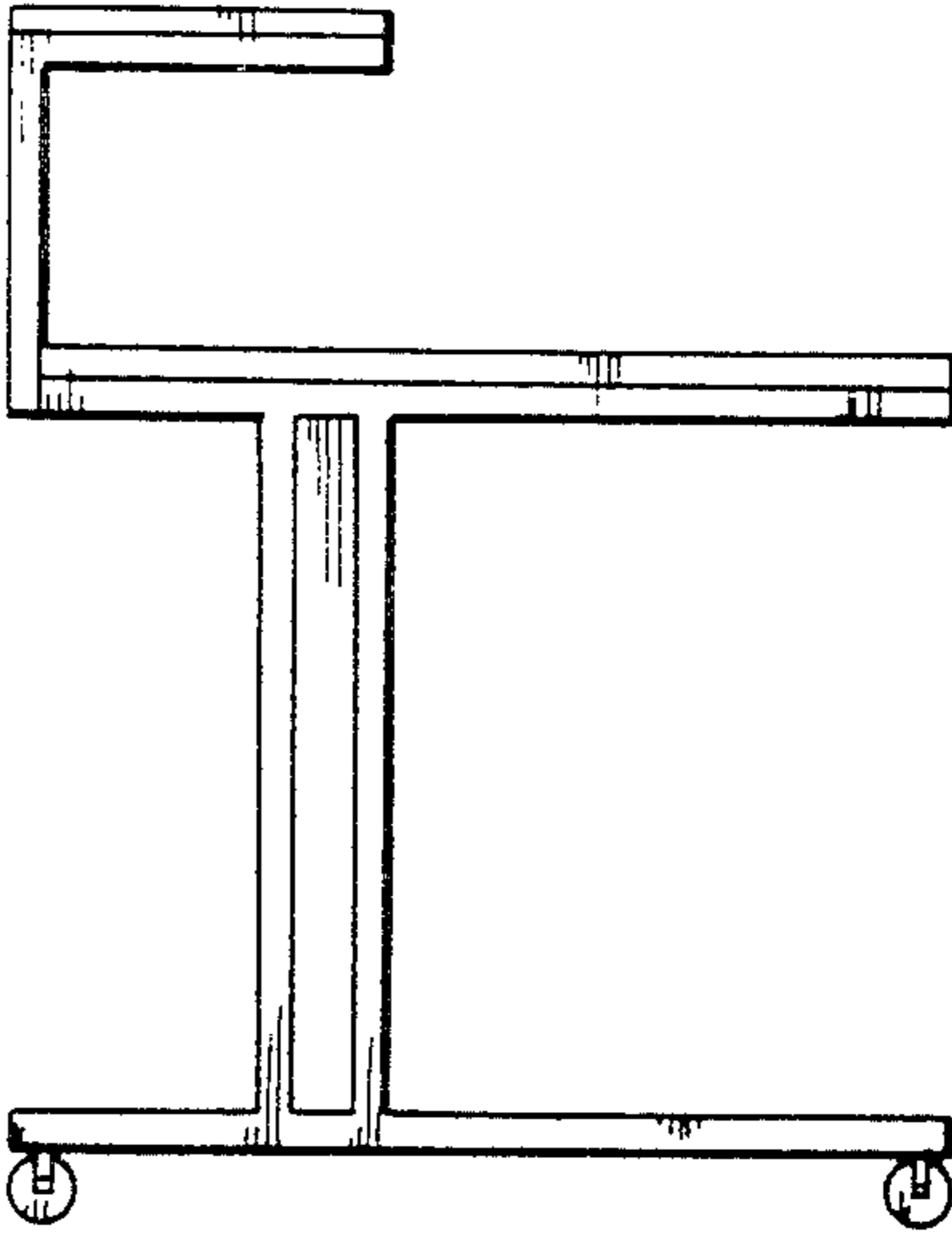


FIG. 4

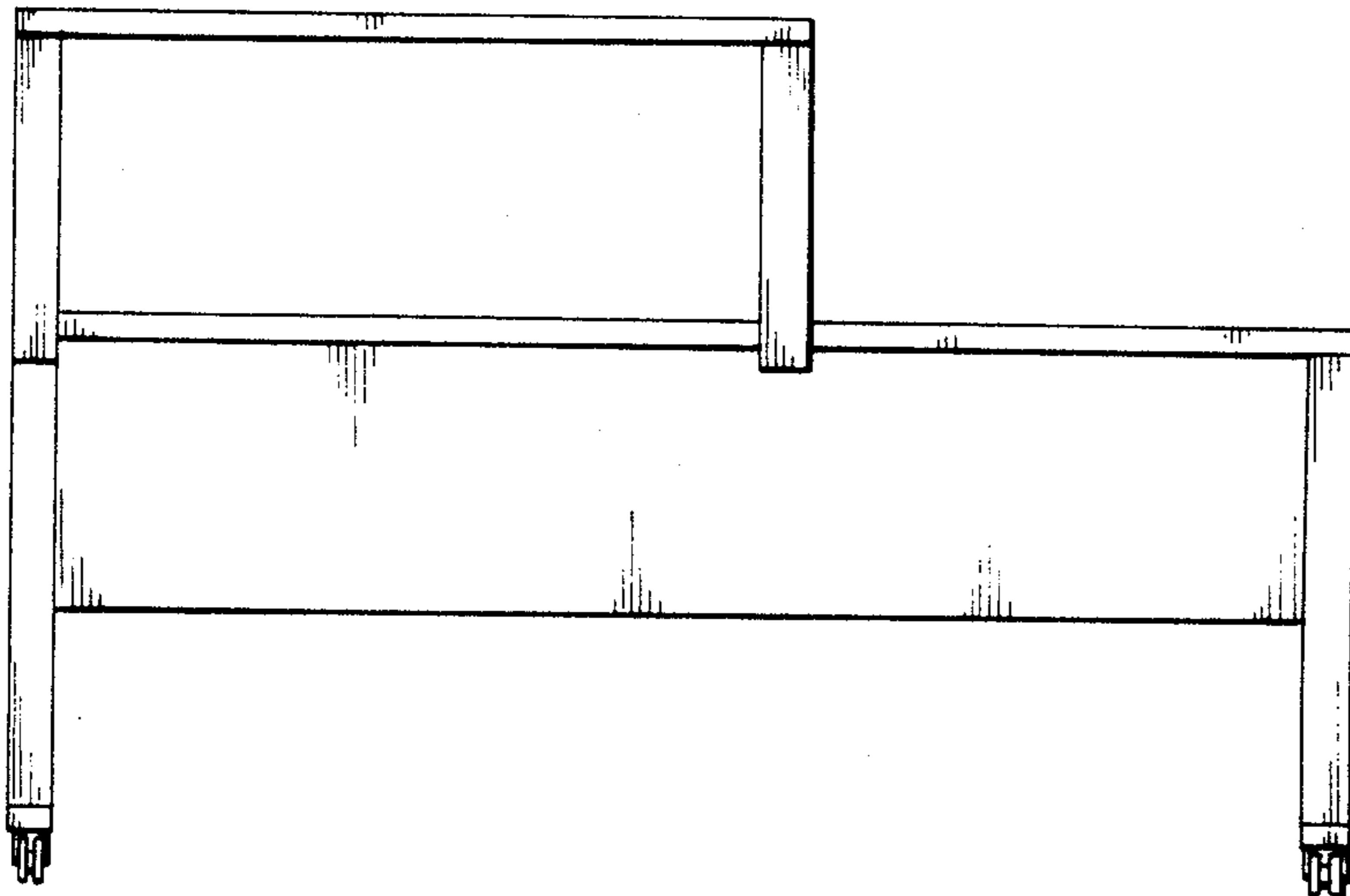
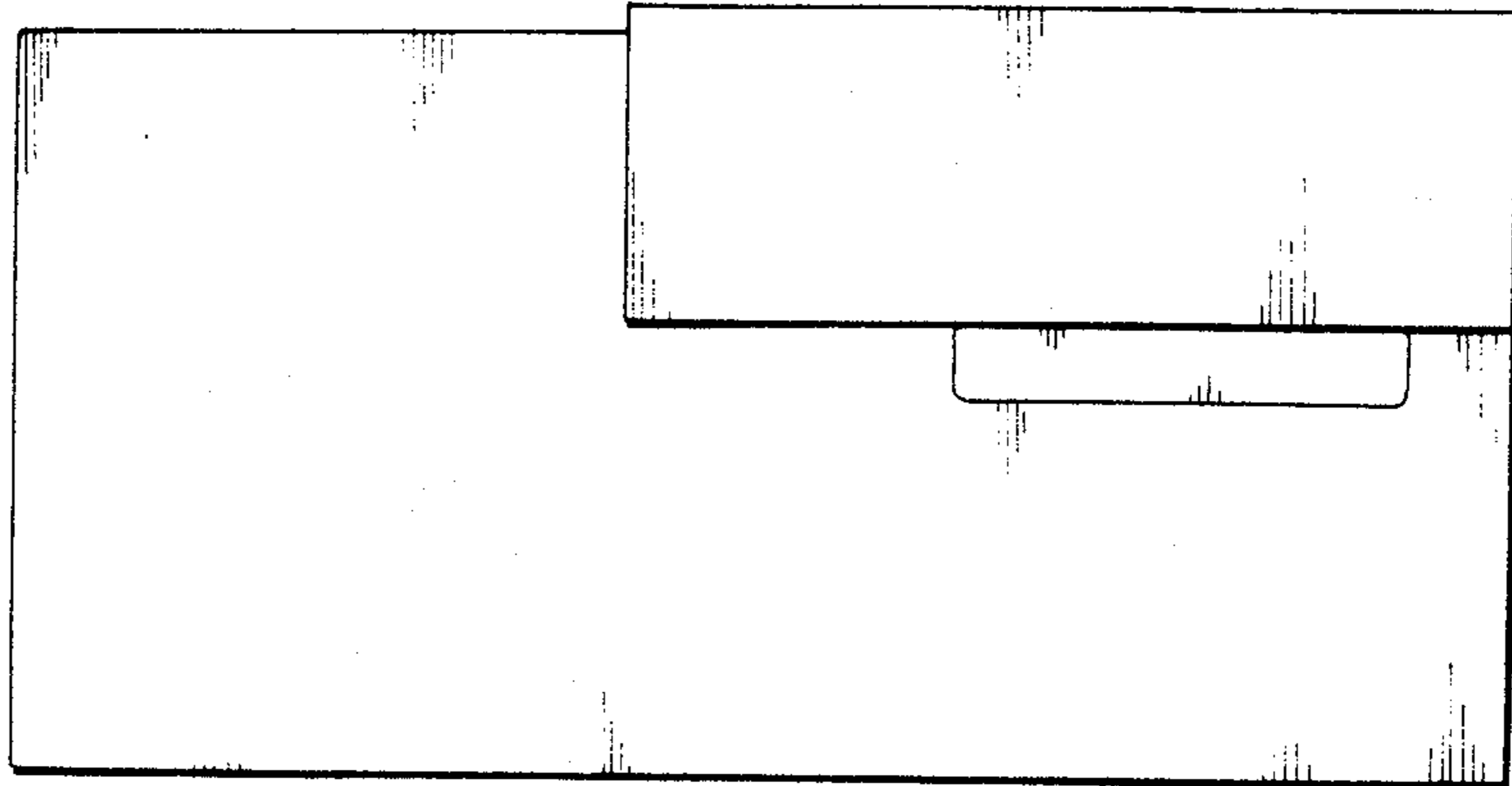
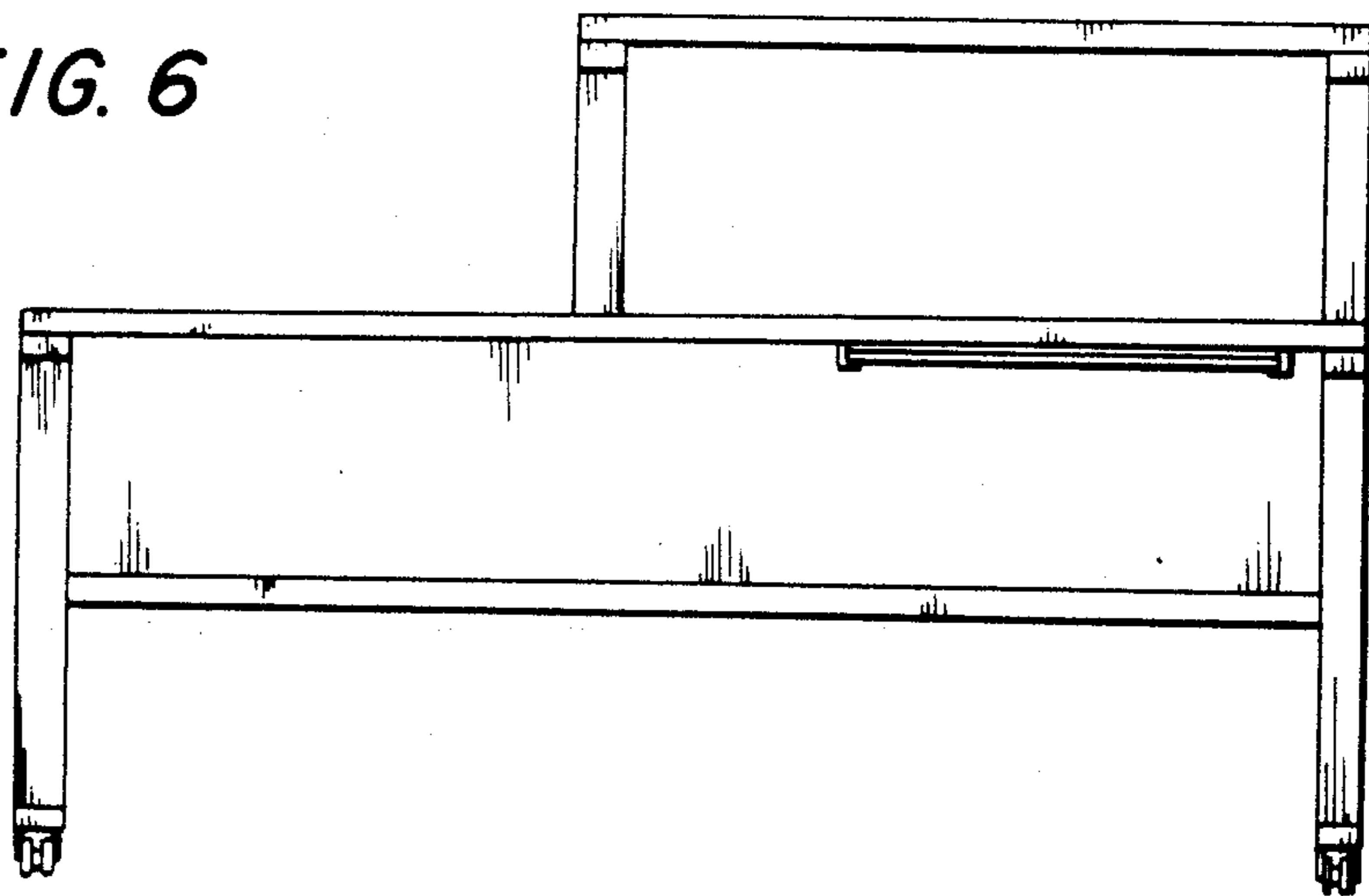


FIG. 5

FIG. 6



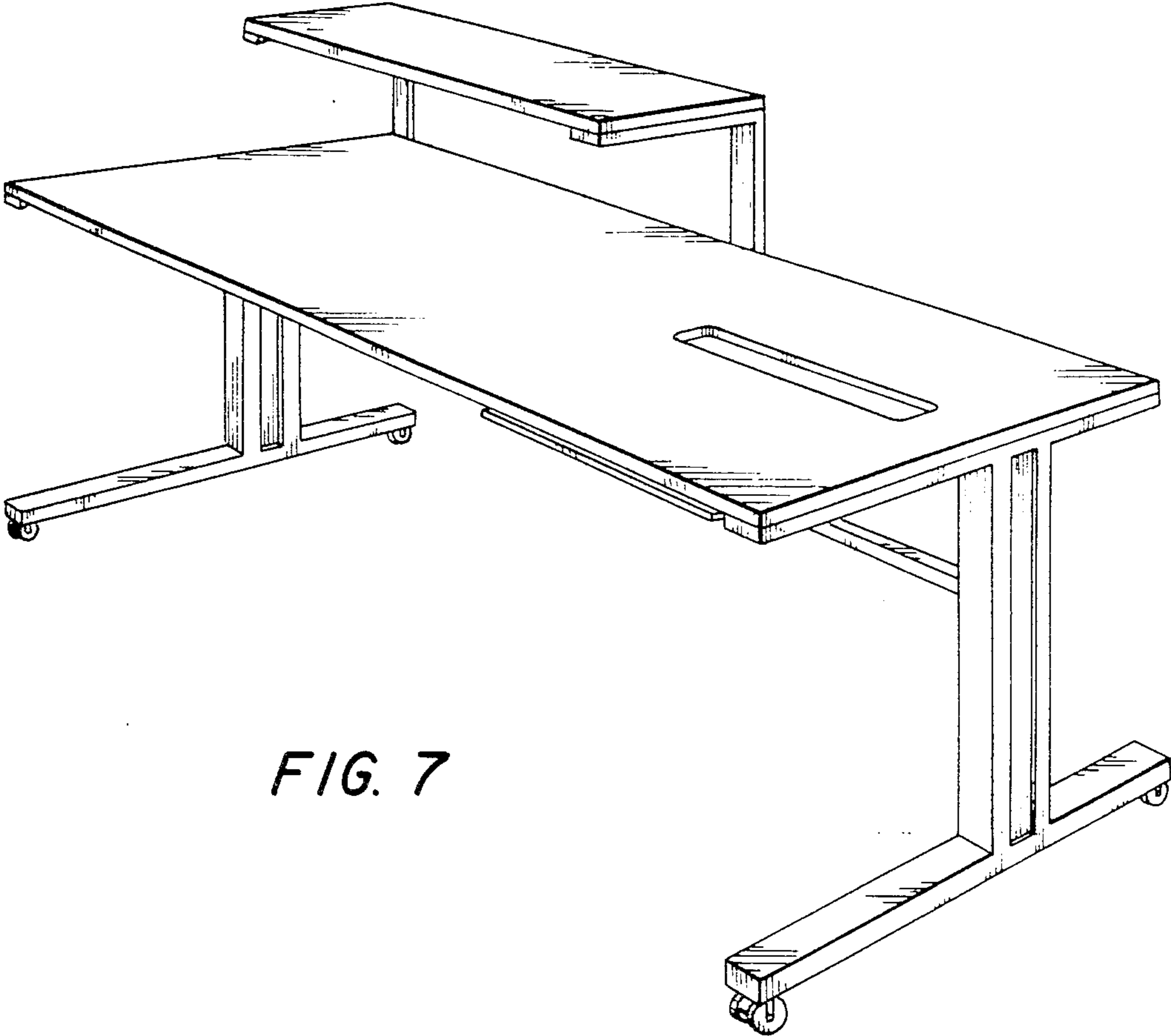
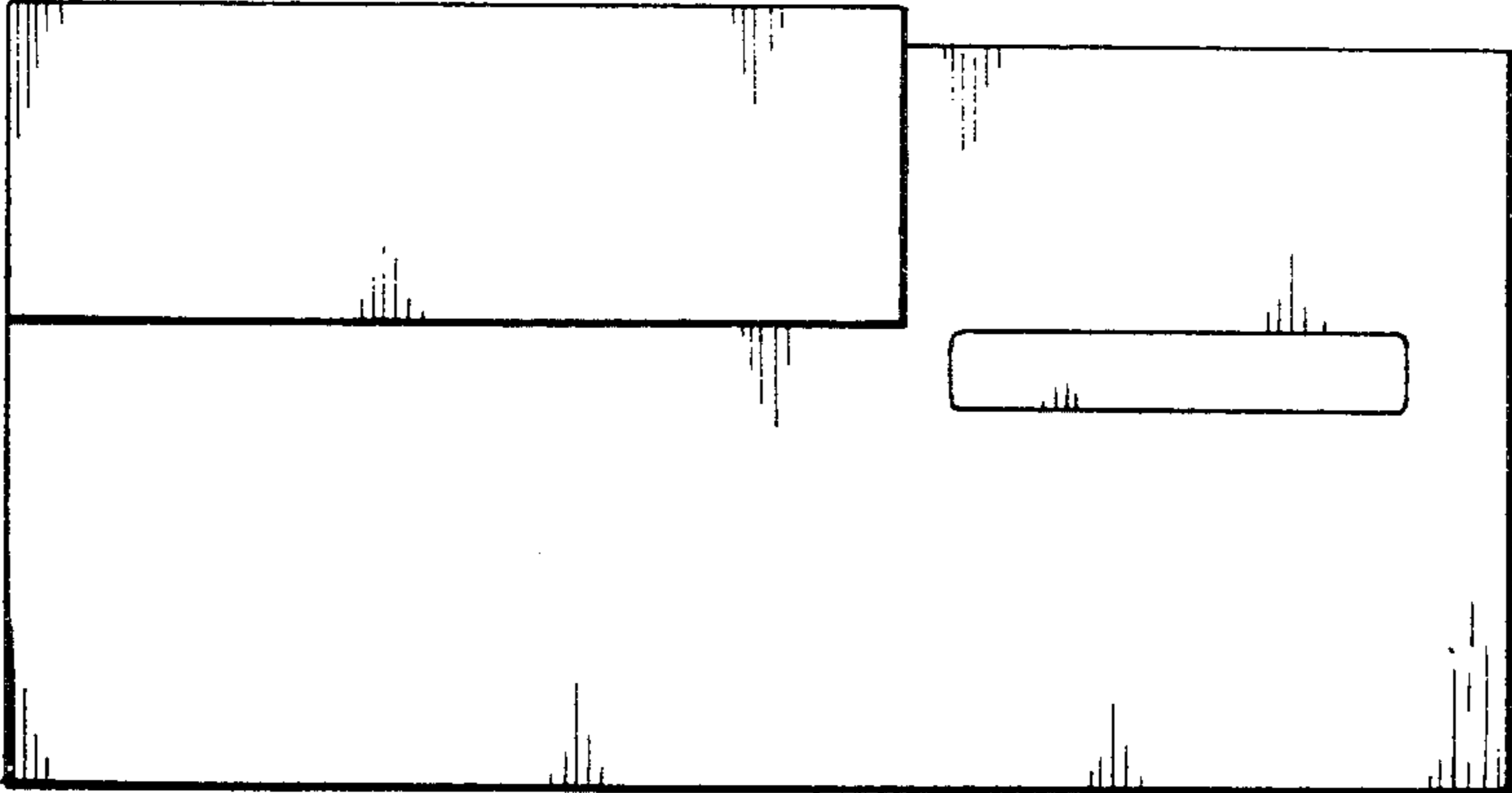


FIG. 7

FIG. 8



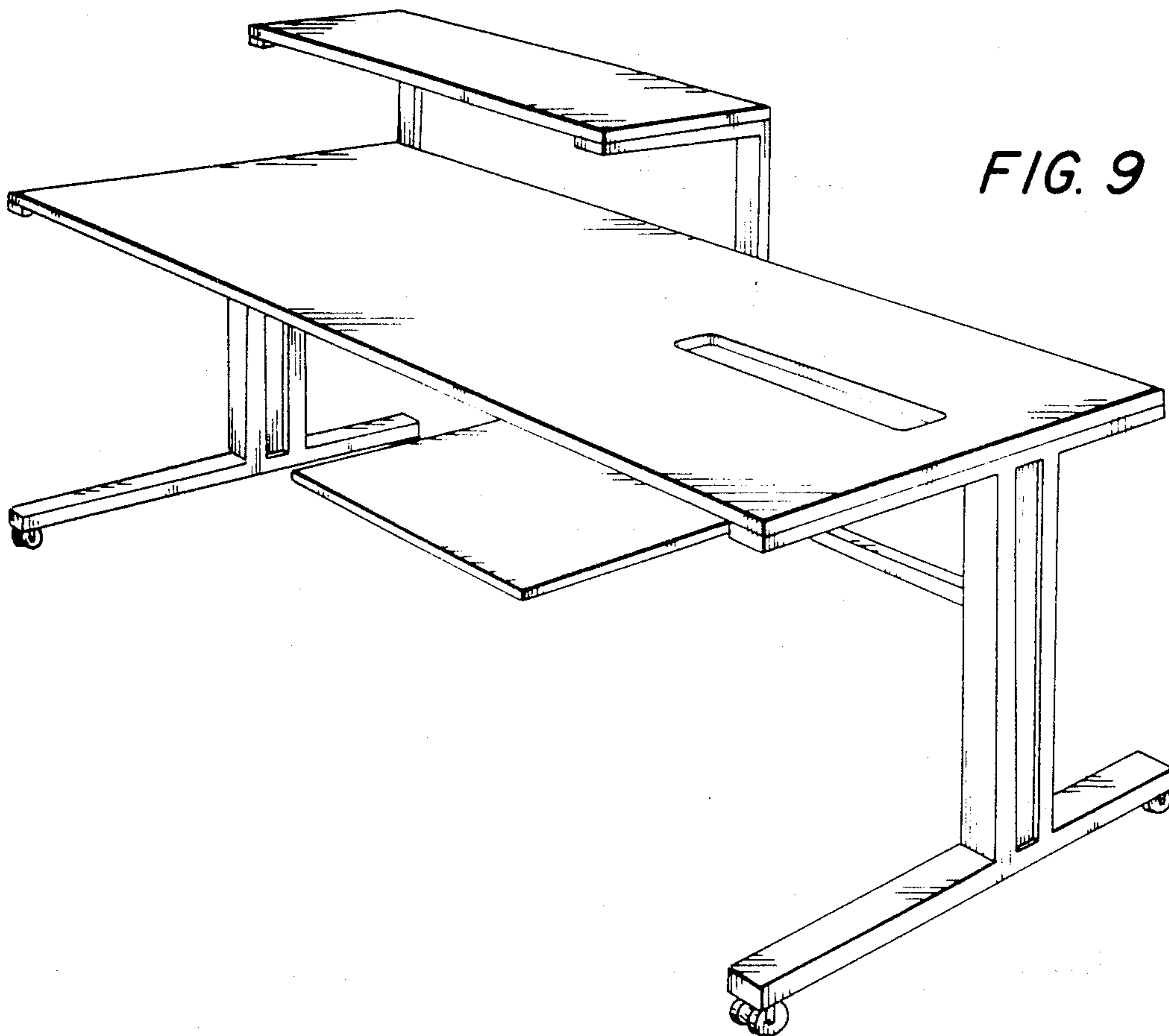


FIG. 9

FIG. 10

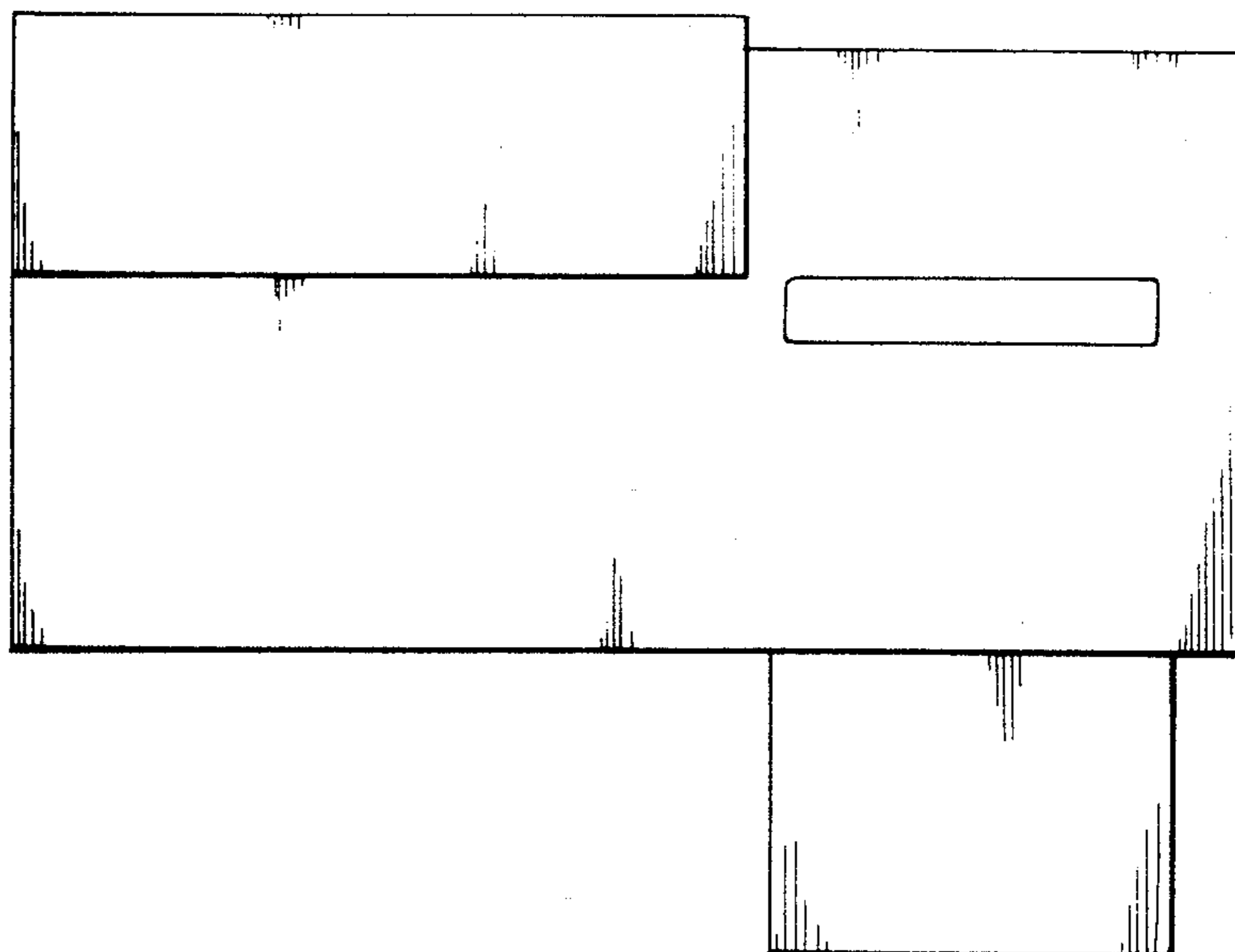


FIG. 11

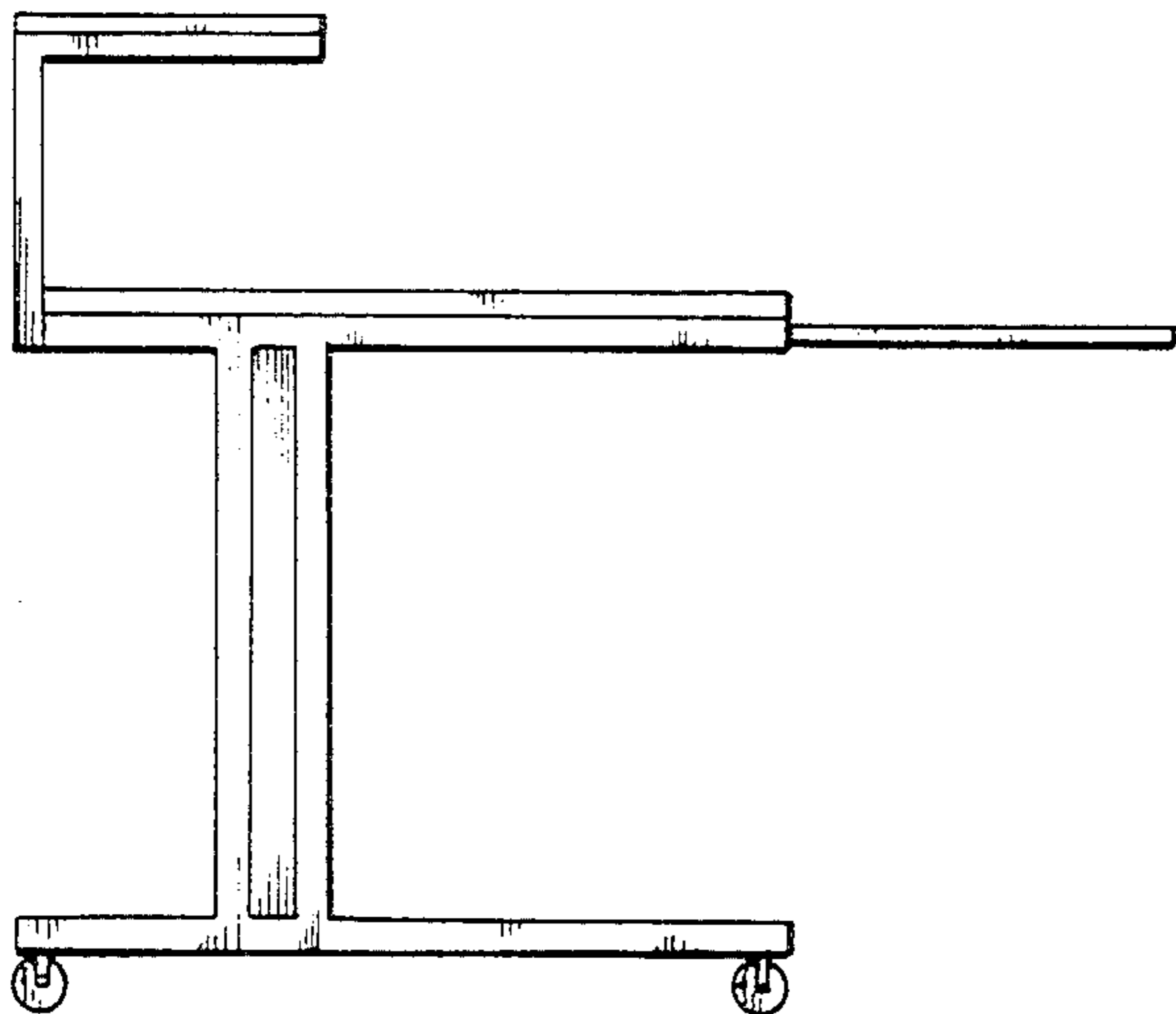
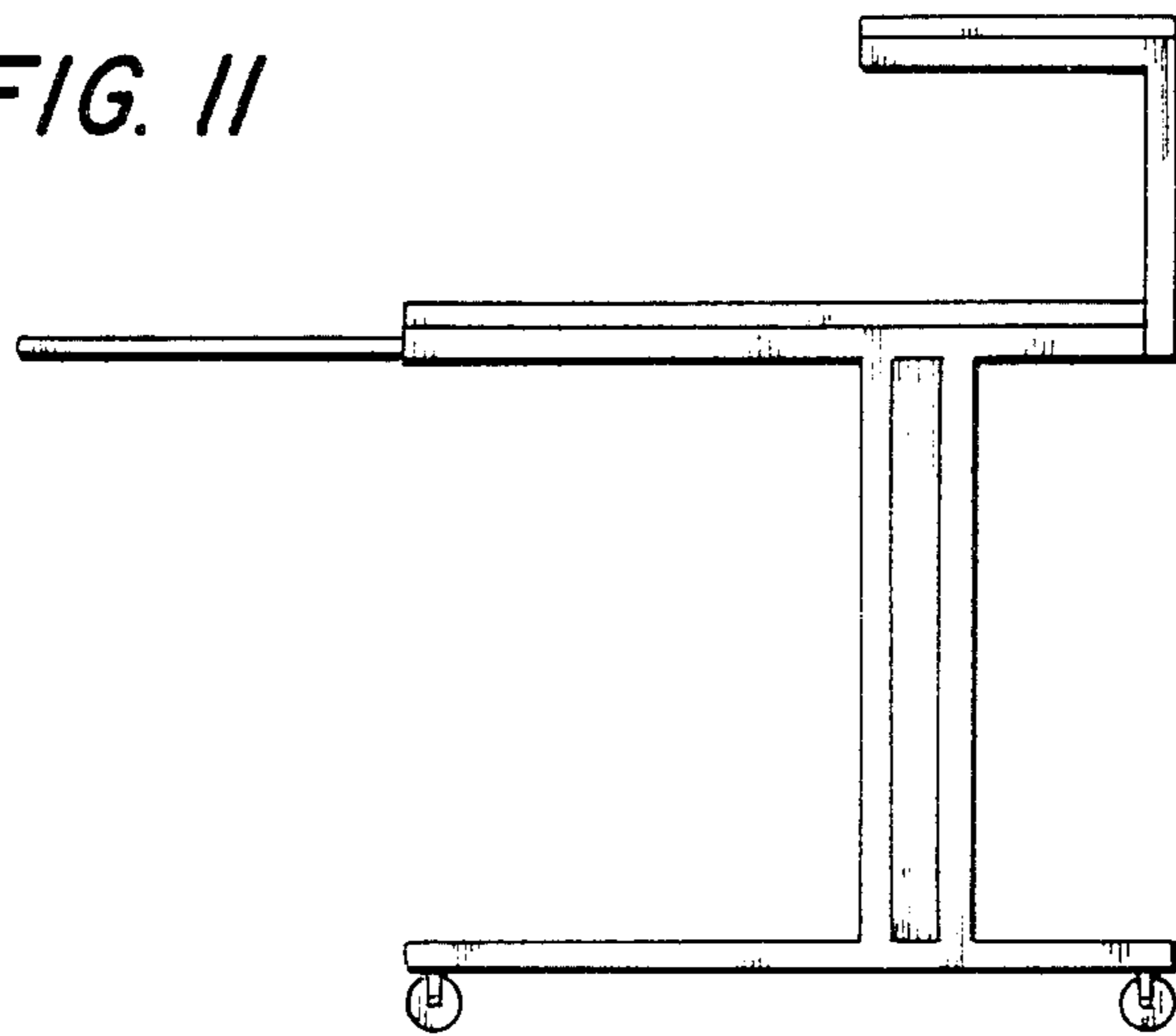


FIG. 12