

[54] **LOUNGE CHAIR**

[76] **Inventor:** Stewart K. McKay, P.O. Box 5022,
Gold Coast Mail Centre,
Queensland, 4217, Australia

[**] **Term:** 14 Years

[21] **Appl. No.:** 451,266

[22] **Filed:** Dec. 20, 1982

[52] **U.S. Cl.** D6/361

[58] **Field of Search** D6/37-39,
D6/47-78

[56] **References Cited**

U.S. PATENT DOCUMENTS

D. 227,211 6/1973 Klotz et al. D6/374

OTHER PUBLICATIONS

"Selrite" by Chaircraft, Feb. 27, 1958, p. 7, Lounge Seat No. 9260.

Landes Catalog, Mar. 21, 1973, p. 24, Lounge Seat upper left.

Interiors Apr., 1978, p. 30 Lounge Seat left center.

Primary Examiner—Bruce W. Dunkins

Attorney, Agent, or Firm—Murray, Whisenhunt and Ferguson

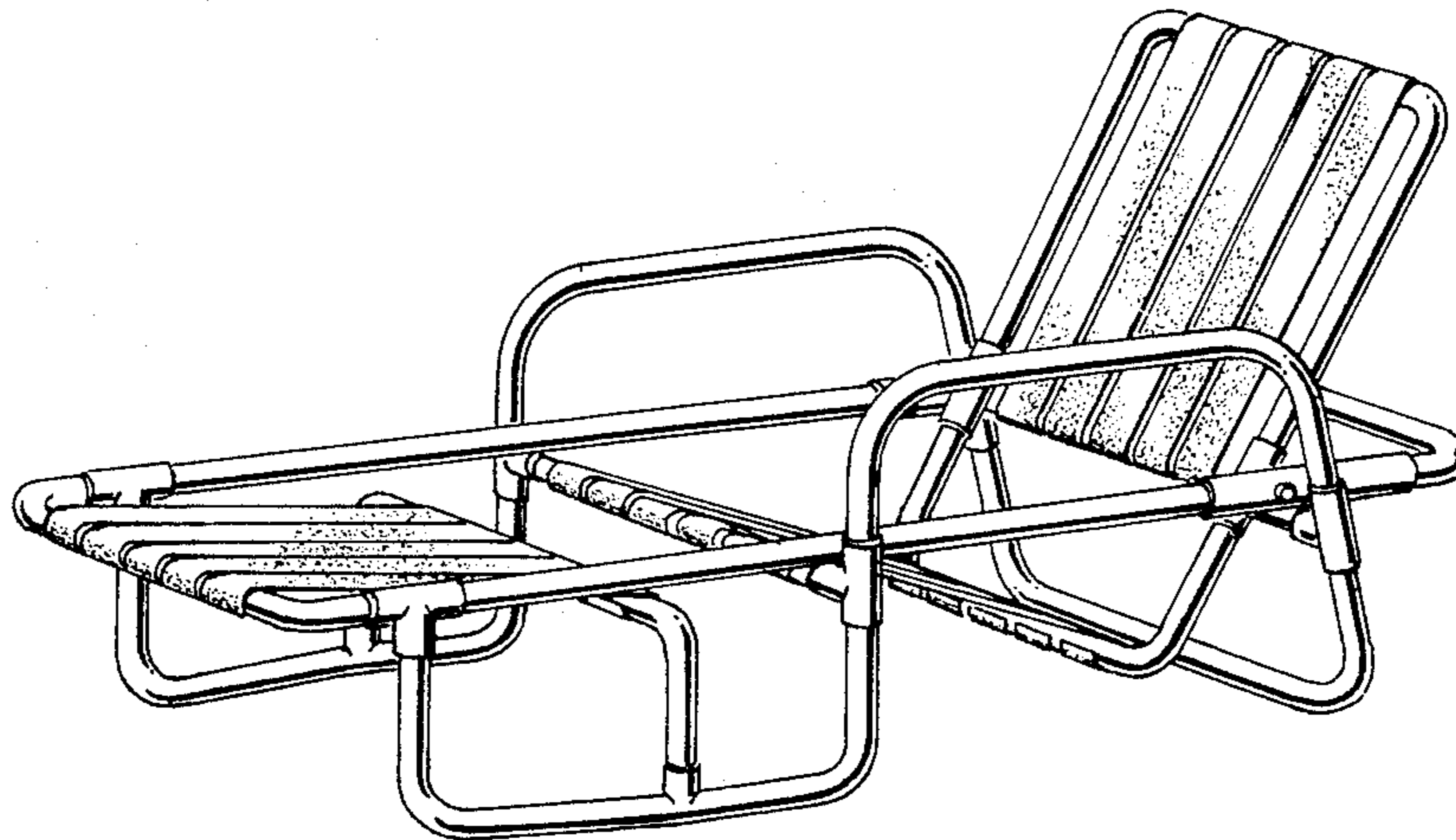
[57] **CLAIM**

The ornamental design is for the shape or configuration of lounge chair, as shown.

DESCRIPTION

FIG. 1 is a front perspective view of a lounge chair showing my design;

FIG. 2 is a rear perspective view thereof.



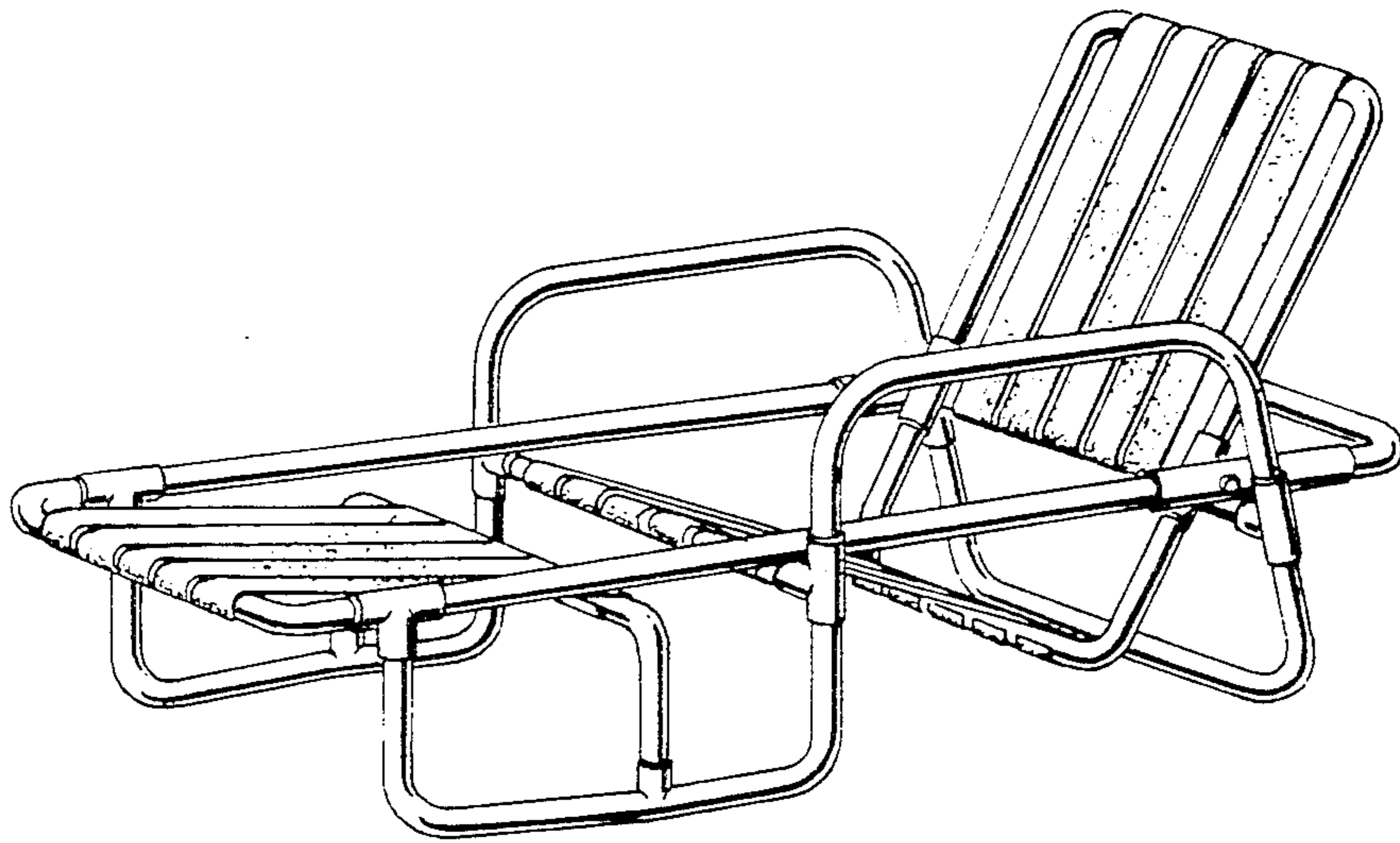


FIG. 1

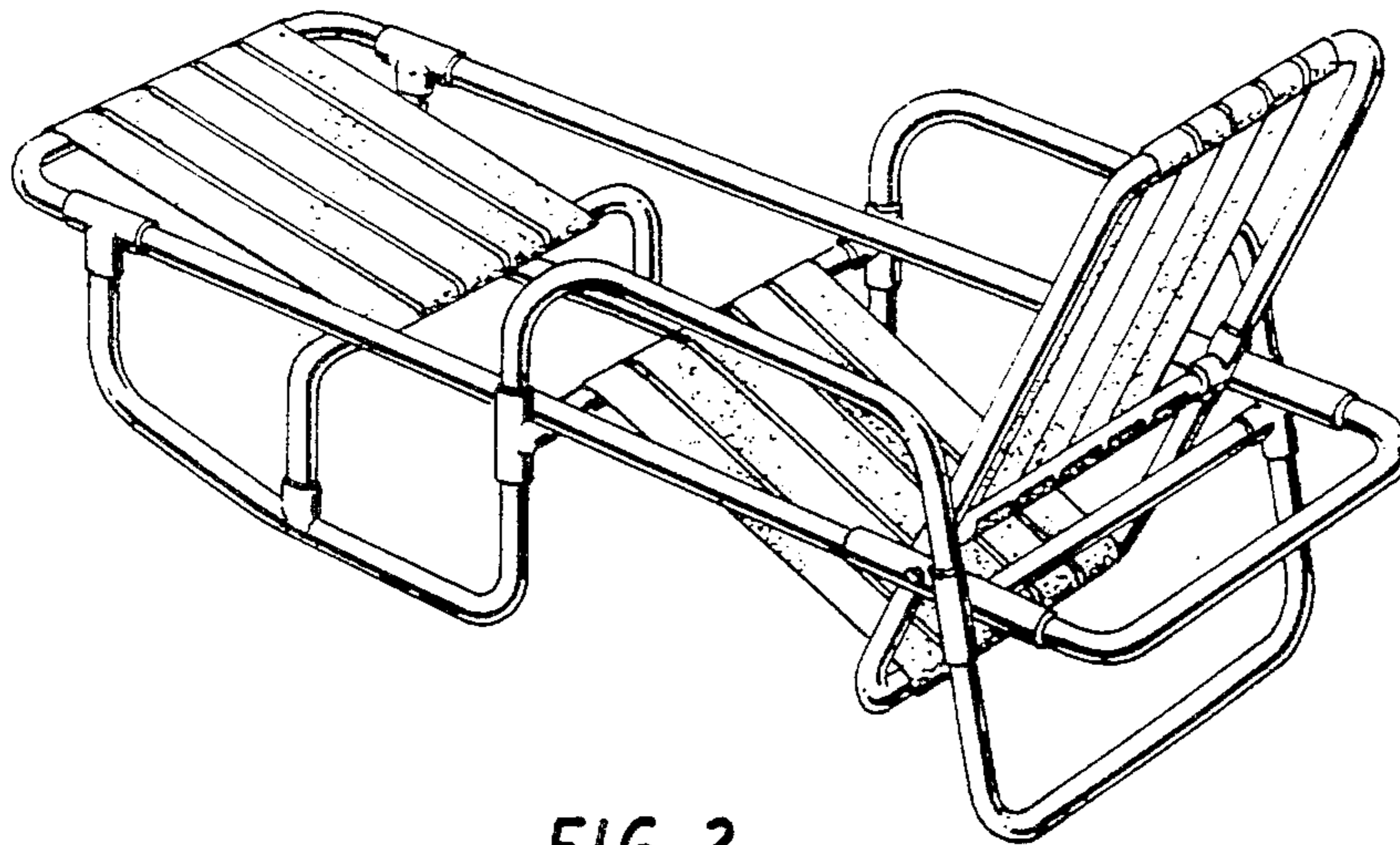


FIG. 2