

[54] **ORTHOPEDIC TOOL BOX**

[75] **Inventor: Denis P. Stednitz, Redondo Beach, Calif.**

[73] **Assignee: Ace Orthopedic Company Inc., Los Angeles, Calif.**

[**] **Term: 14 Years**

[21] **Appl. No.: 505,947**

[22] **Filed: Jun. 20, 1983**

[52] **U.S. Cl. D3/74; D3/30.1; D24/31**

[58] **Field of Search D3/30.1, 39, 74, 75, D3/78; D24/31; D9/341, 347; 206/571, 363-365, 369, 370**

[56] **References Cited**

U.S. PATENT DOCUMENTS

D. 198,151	5/1964	Folkman	D24/31
D. 202,013	8/1965	Hamilton	D24/31
D. 249,362	9/1978	Forsman et al.	D24/31
D. 275,713	9/1984	Bosworth	D9/347
3,013,656	12/1961	Murphy, Jr.	D24/31
4,153,160	5/1979	Leigh	206/370

Primary Examiner—George P. Word
Attorney, Agent, or Firm—Hubbard, Stetina and Brunda

[57] **CLAIM**

The ornamental design for an orthopedic tool box, as shown and described.

DESCRIPTION

FIG. 1 is a top front perspective view of an orthopedic tool box showing my new design; FIG. 2 is a bottom rear perspective view thereof; and FIG. 3 is a top perspective view of the orthopedic tool box with the cover removed to show the interior.

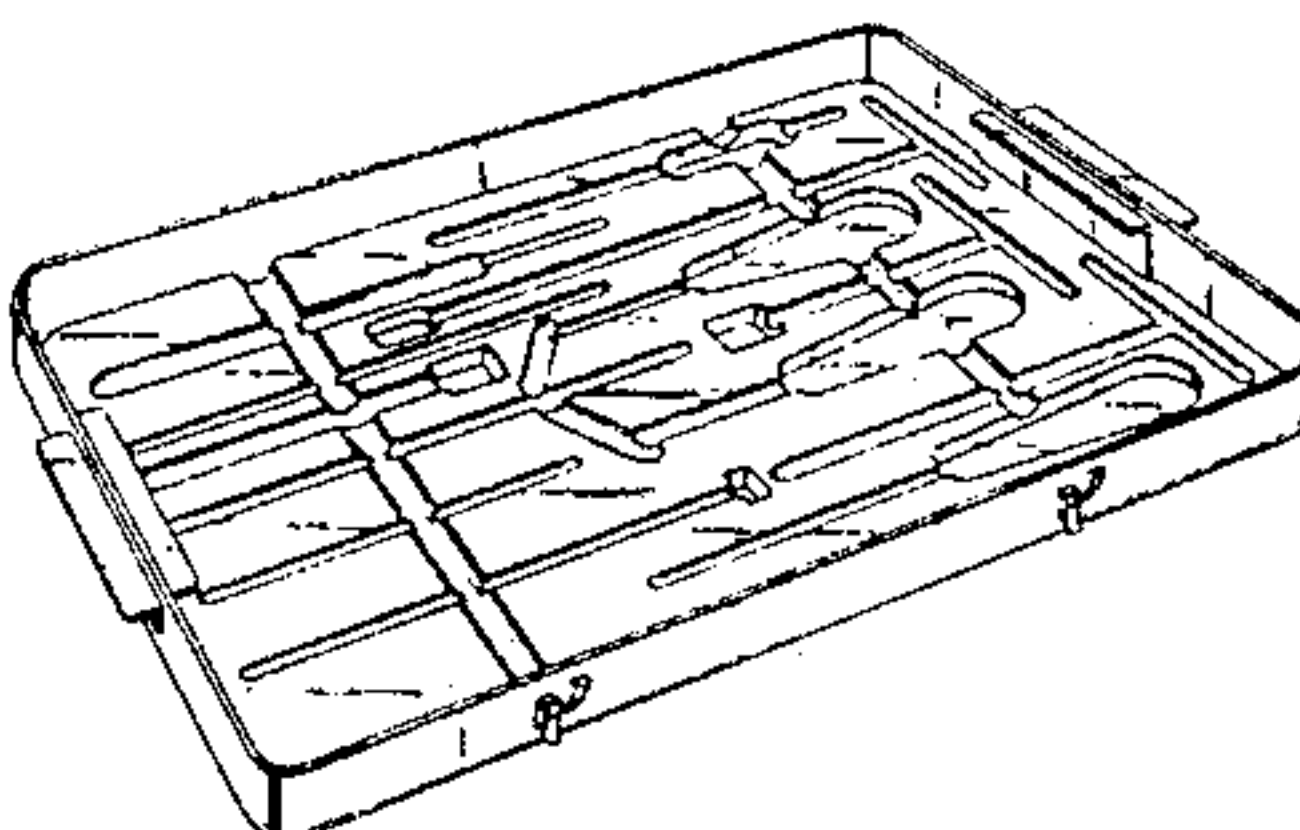
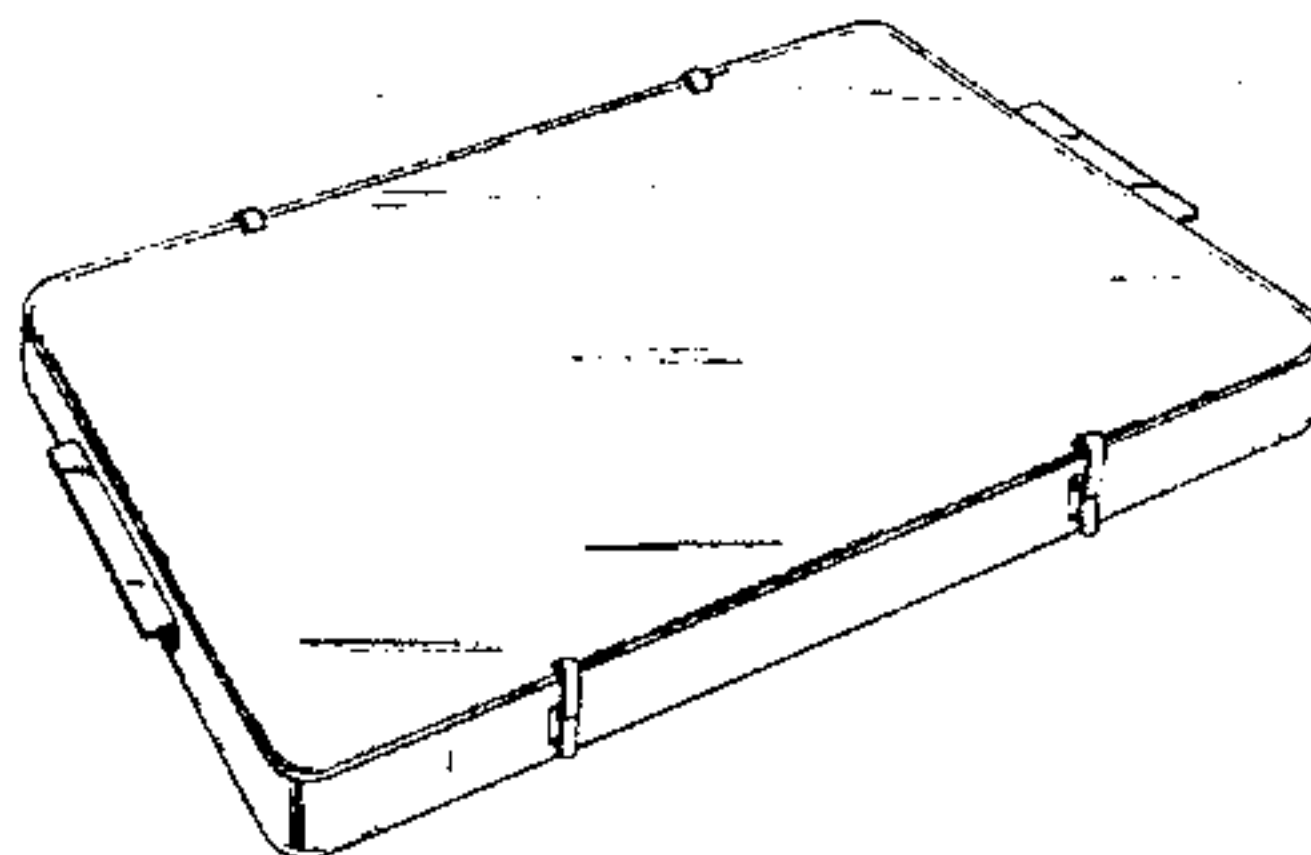


Fig. 1

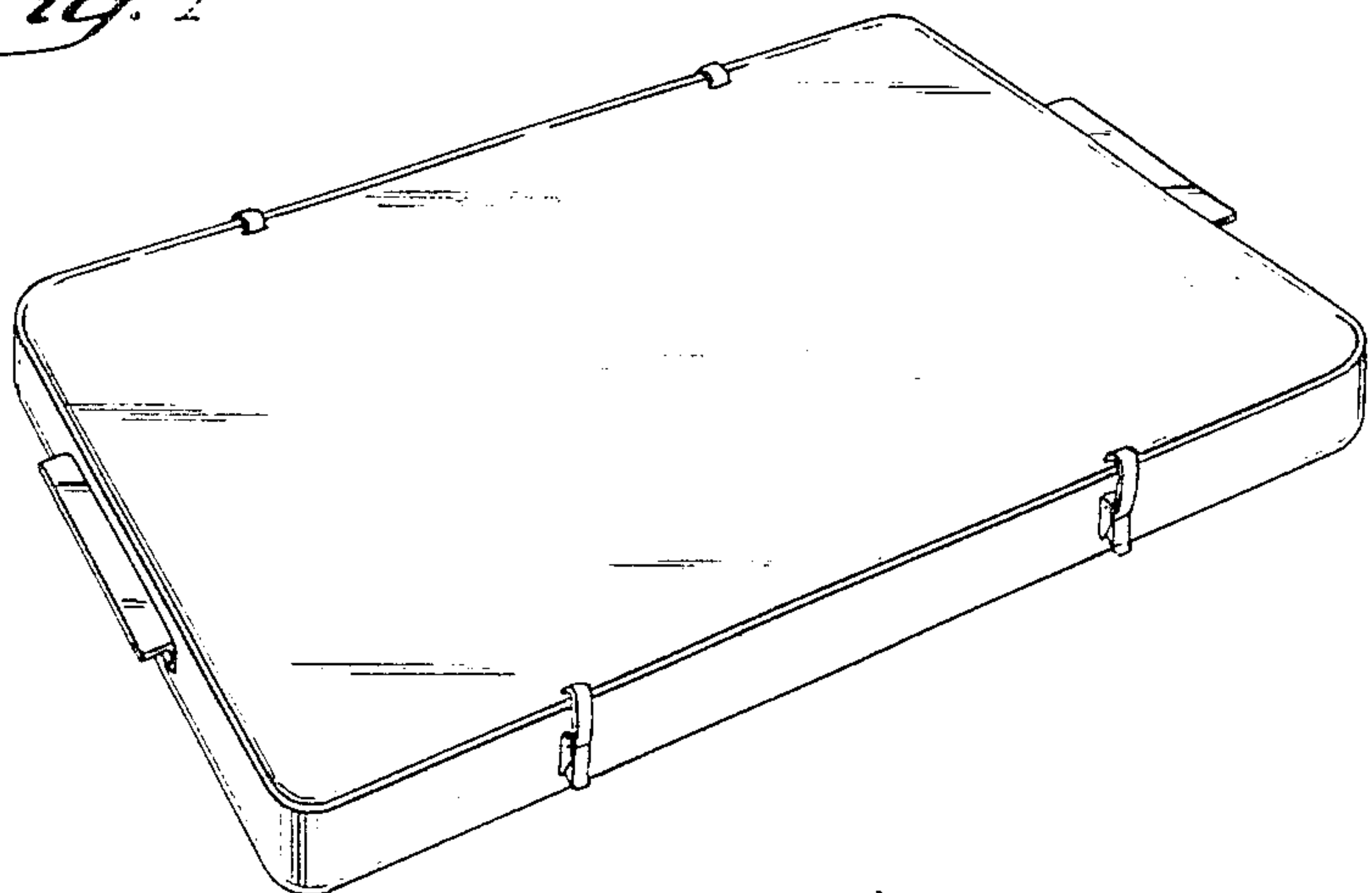


Fig. 2

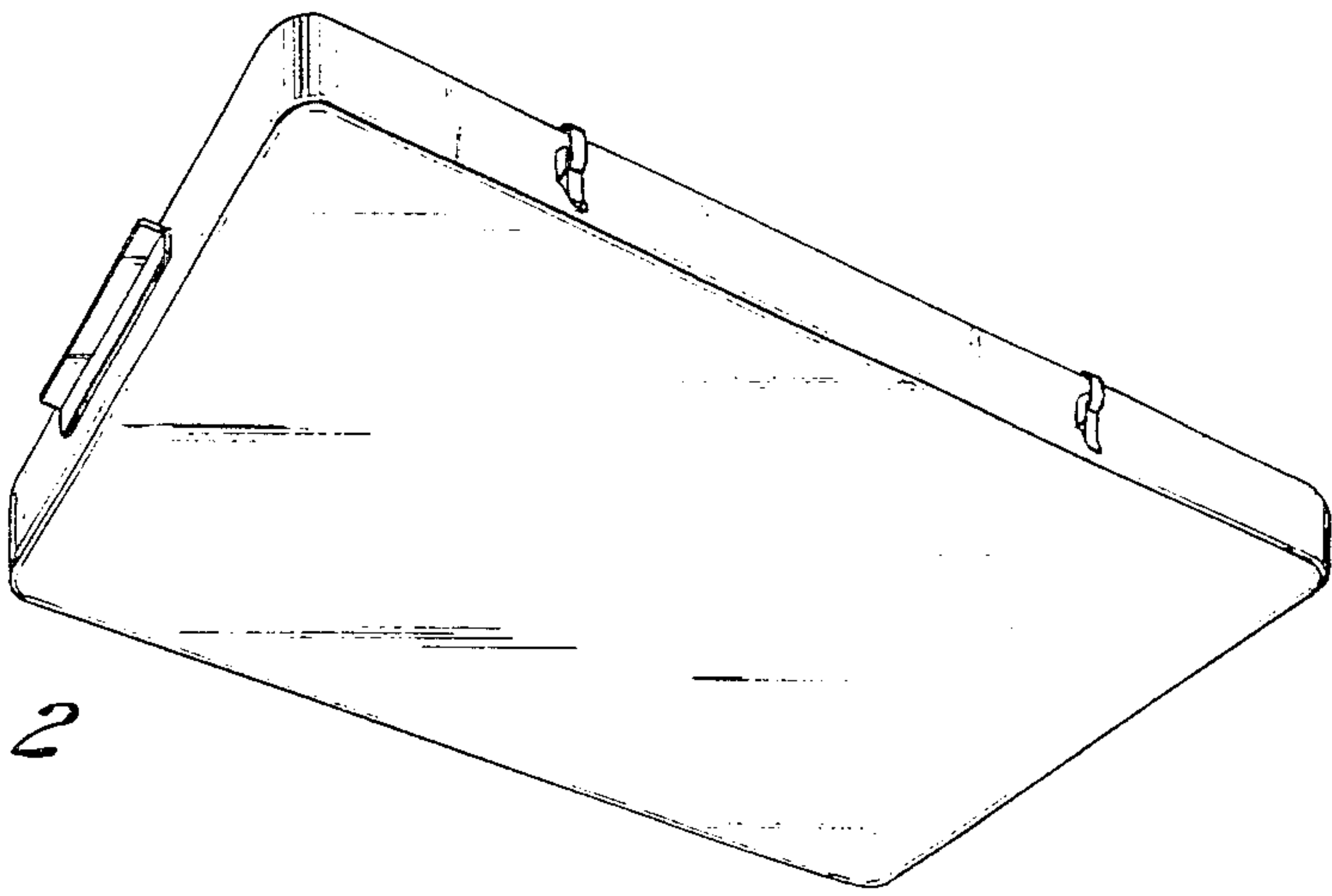


Fig. 3

