

[54] SHELF BIN

[75] Inventor: Hans Skillius, Halmstad, Sweden

[73] Assignee: A/S E. Damberg Group, Nykobing Falster, Denmark

[\*\*] Term: 14 Years

[21] Appl. No.: 466,544

[22] Filed: Feb. 15, 1983

[30] Foreign Application Priority Data

Aug. 31, 1982 [DK] Denmark ..... 823/1982

[52] U.S. Cl. .... D34/40

[58] Field of Search ..... D34/40-49; 206/203, 503, 509, 511, 505, 557; 220/6, 23, 83; D9/431, 432, 425, 430; D7/37; D6/191, 181, 184, 114, 122

[56] References Cited

U.S. PATENT DOCUMENTS

- D. 246,615 12/1977 Downing ..... D34/44
- D. 274,012 5/1984 Williams ..... D34/40
- D. 275,918 10/1984 Taylor ..... D34/40 X
- D. 276,090 10/1984 Gibson ..... D34/43
- 2,916,161 12/1959 Schaefer ..... D34/40 X

Primary Examiner—Robert C. Spangler  
Attorney, Agent, or Firm—Pennie & Edmonds

[57] CLAIM

The ornamental design for a shelf bin, substantially as shown and described.

DESCRIPTION

FIG. 1 is a top, front perspective view of a shelf bin showing my new design;  
FIG. 2 is a bottom, rear perspective view;  
FIG. 3 is a side elevational view, the opposite side being a mirror image thereof; and  
FIG. 4 is a bottom plan view.

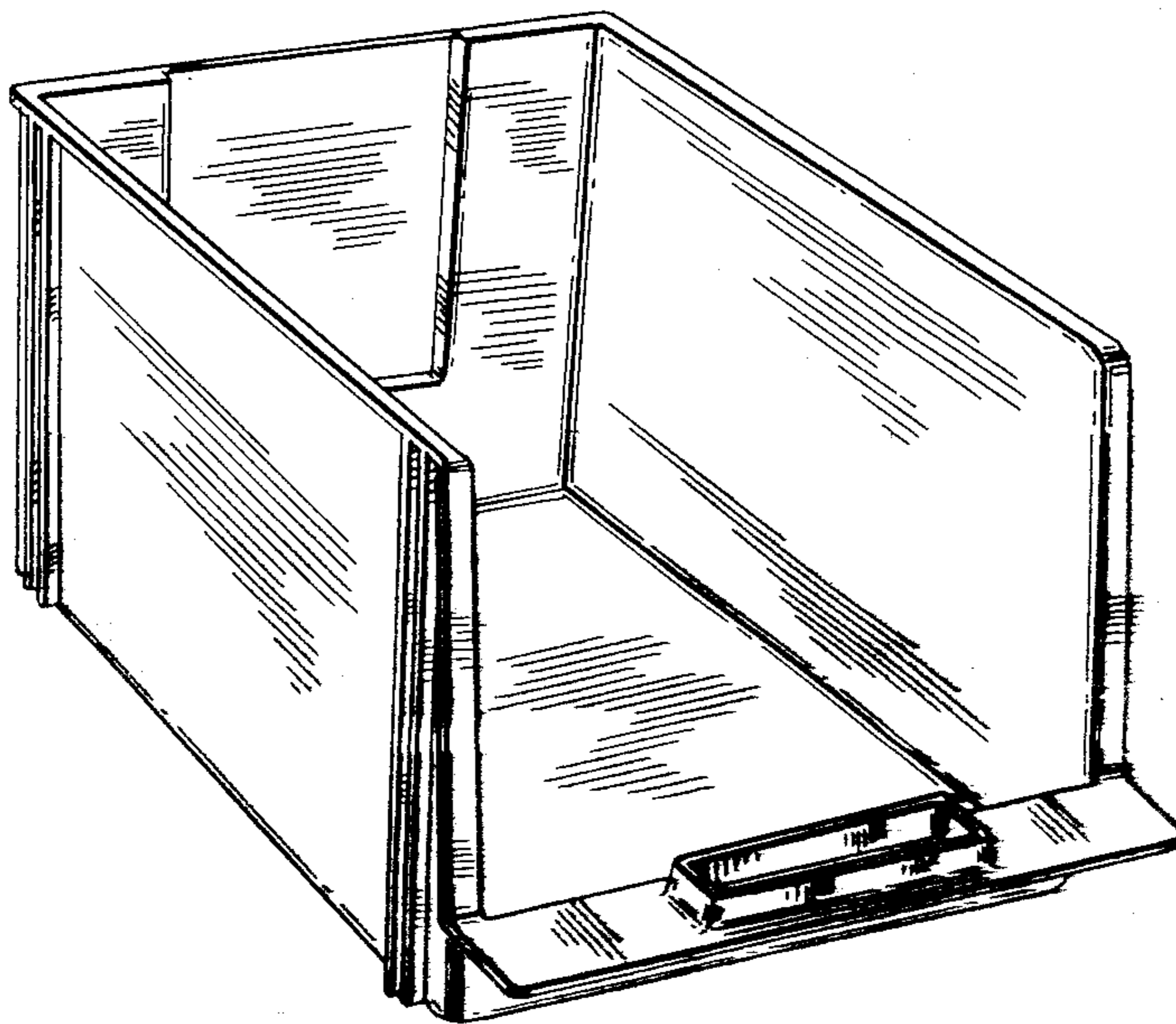


FIG. 3

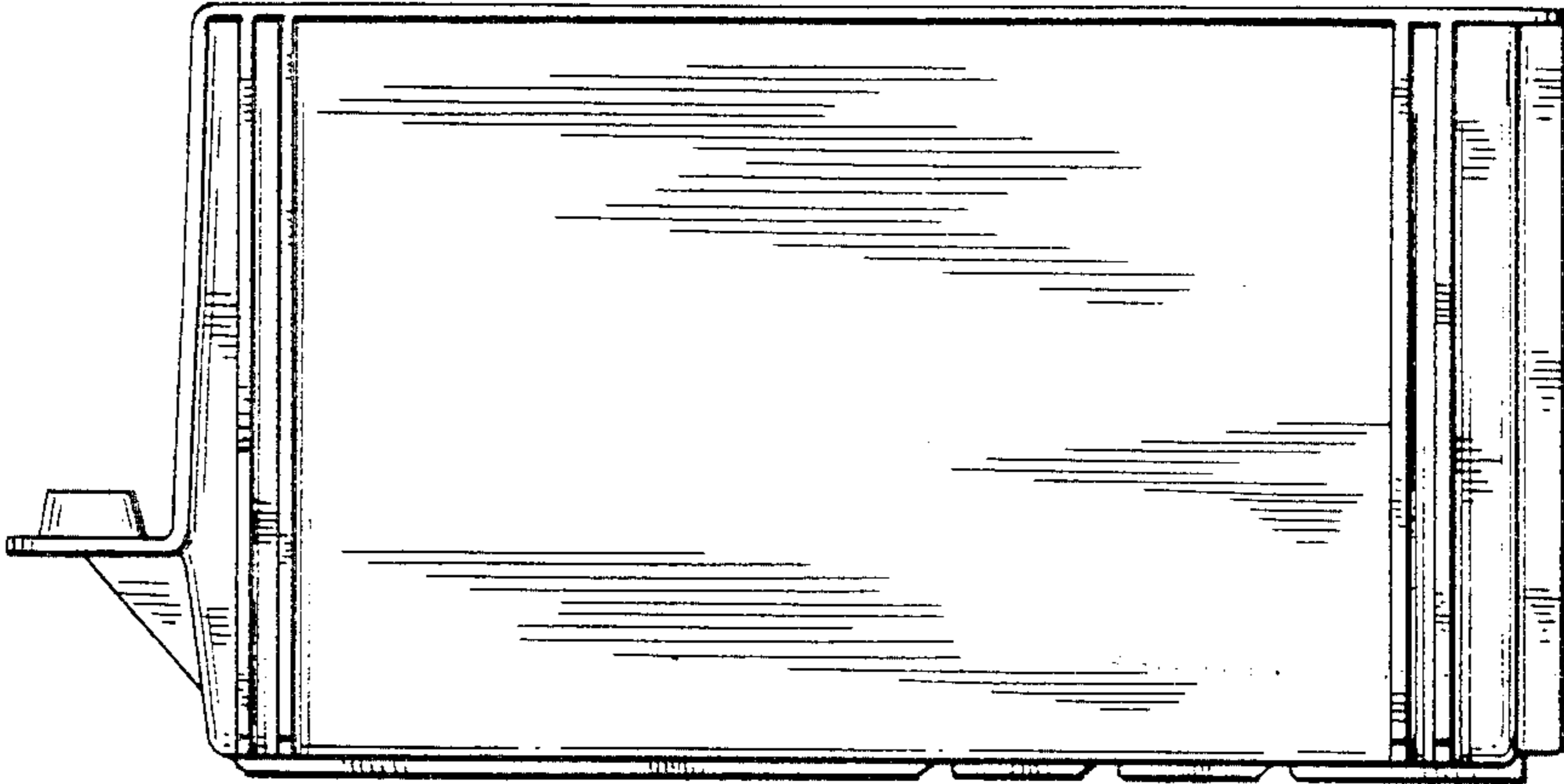


FIG. 4

