

[54] UTILITY CART

[76] Inventor: Stanley J. Neuhaus, R.R. 1, Shell Rock, Iowa 50670

[\*\*] Term: 14 Years

[21] Appl. No.: 529,262

[22] Filed: Sep. 6, 1983

[52] U.S. Cl. .... D34/24; D12/101

[58] Field of Search ..... D12/101; D34/24; 280/63, 47.34, 47.26, 47.2, 79.1, 652

[56] References Cited

U.S. PATENT DOCUMENTS

85,873 1/1869 Taylor ..... 280/47.26  
2,171,068 8/1939 Masters ..... 280/47.26

FOREIGN PATENT DOCUMENTS

8931 3/1980 European Pat. Off. .... 280/652  
193883 1/1965 Sweden ..... 280/652

Primary Examiner—James M. Gandy

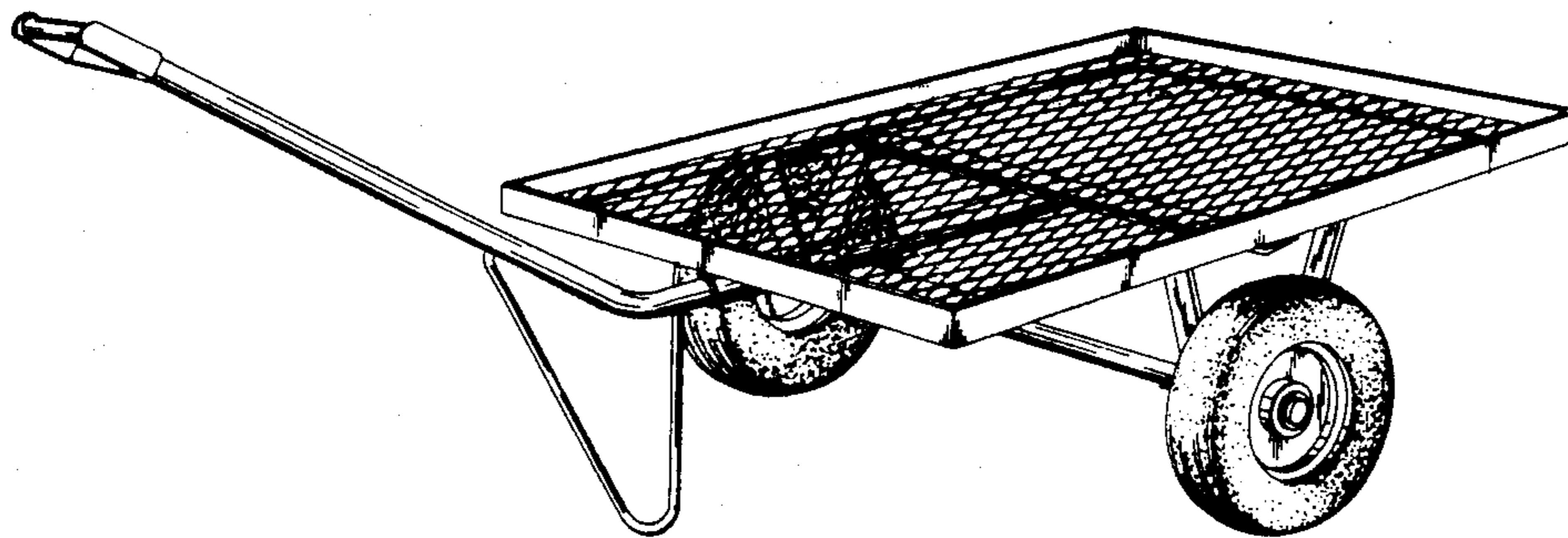
Attorney, Agent, or Firm—Zarley, McKee, Thomte, Voorhees & Sease

[57] CLAIM

The ornamental design for a utility cart, as shown and described.

DESCRIPTION

FIG. 1 is a perspective view of a utility cart showing my new design;  
FIG. 2 is a side elevation view thereof;  
FIG. 3 is a front elevation view thereof;  
FIG. 4 is a rear elevation view thereof;  
FIG. 5 is a top plan view thereof;  
FIG. 6 is a perspective view of a utility cart showing a second embodiment of my new design wherein the only difference resides in the appearance and configuration of the draw member;  
FIG. 7 is a side elevation view of FIG. 6;  
FIG. 8 is a top plan view of FIG. 6 on a reduced scale;  
FIG. 9 is a perspective view of a utility cart on a reduced scale showing a third embodiment of my new design which differs from the second embodiment only in the horizontal support surface being solid; and  
FIG. 10 is a top plan view of FIG. 9.



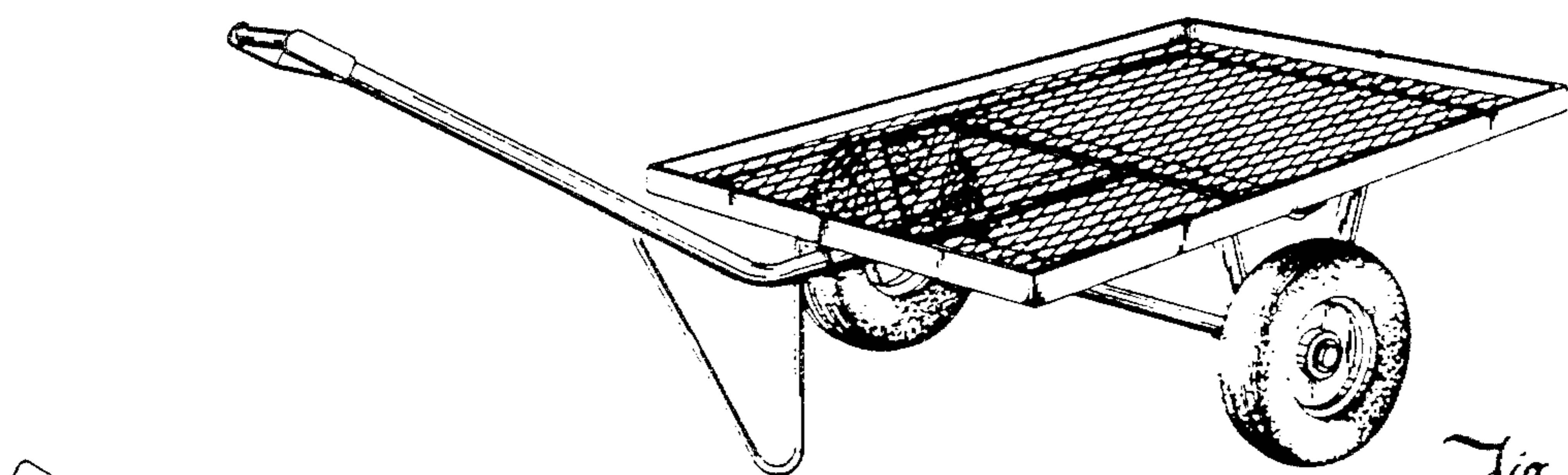


Fig. 1

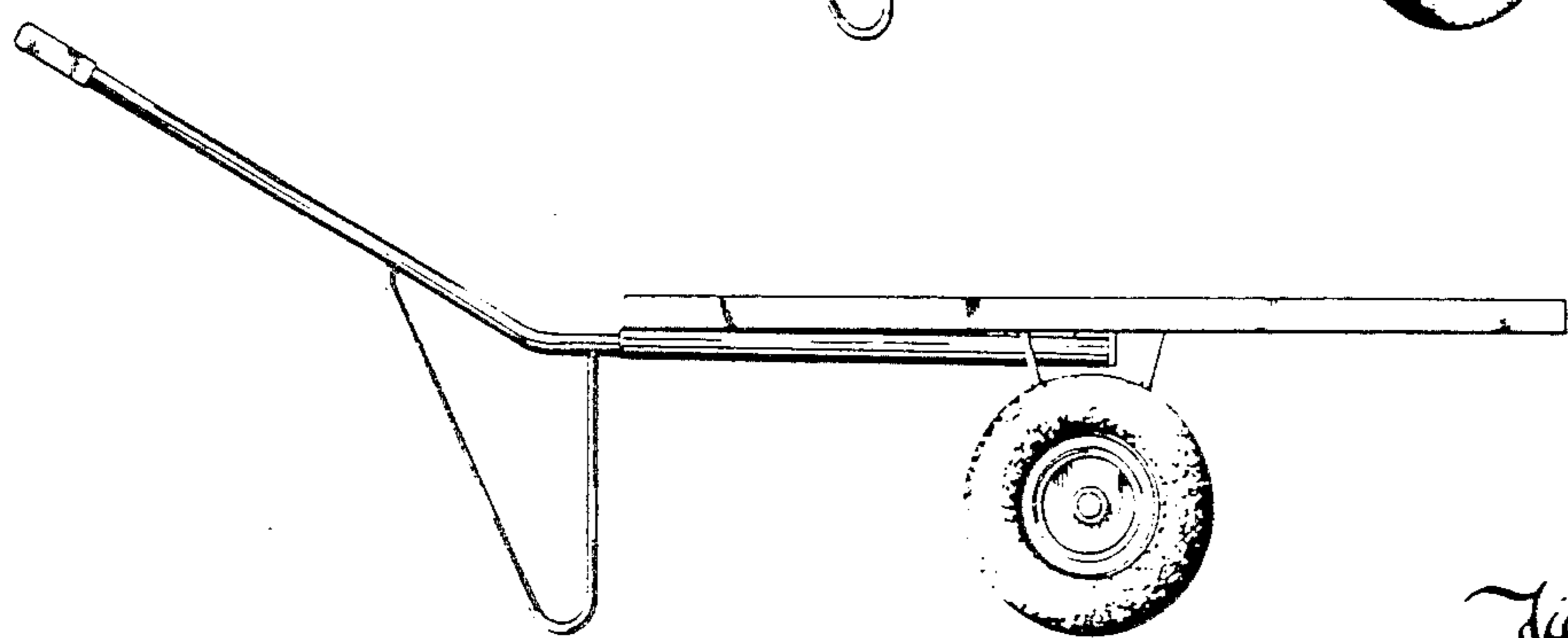


Fig. 2

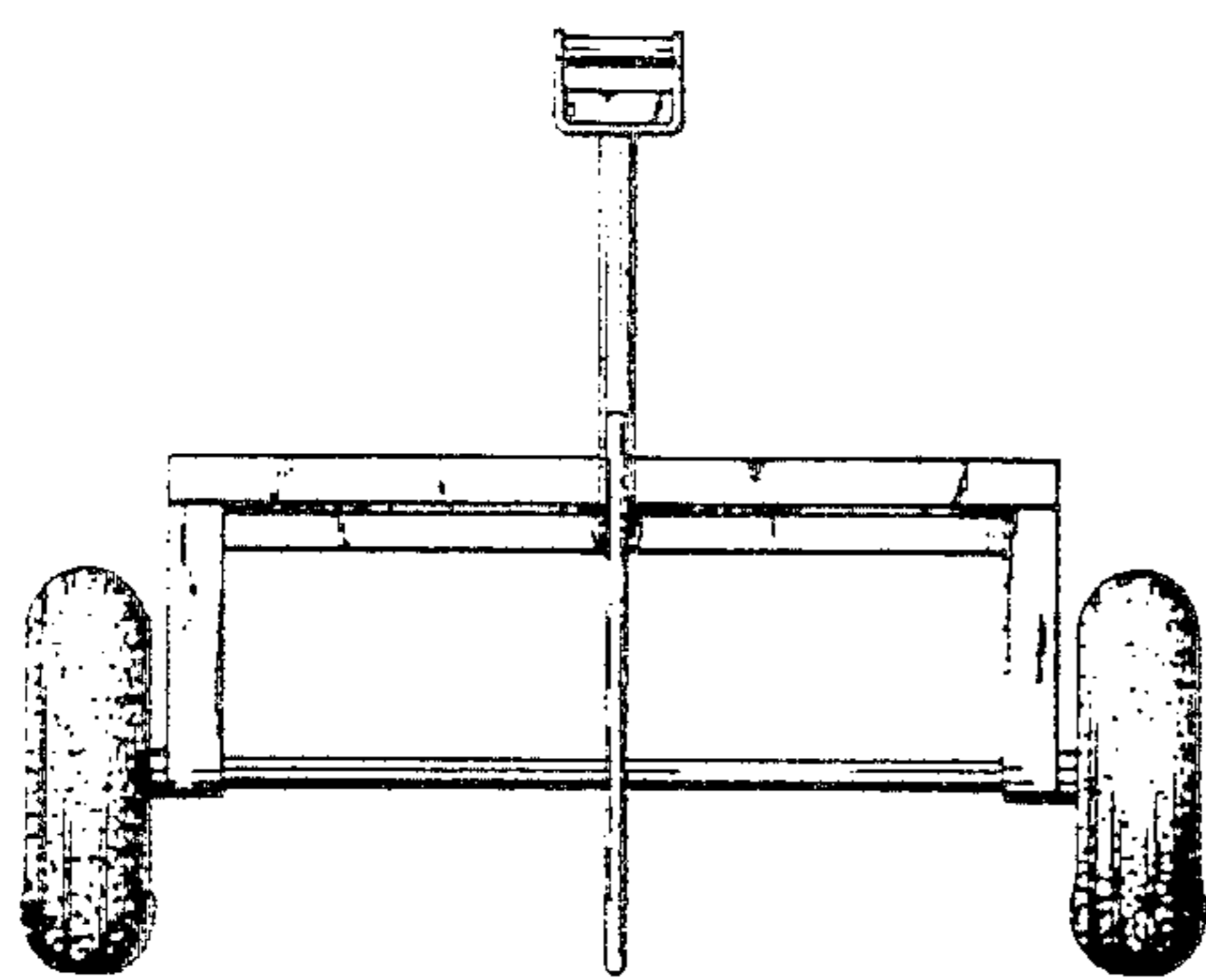


Fig. 3

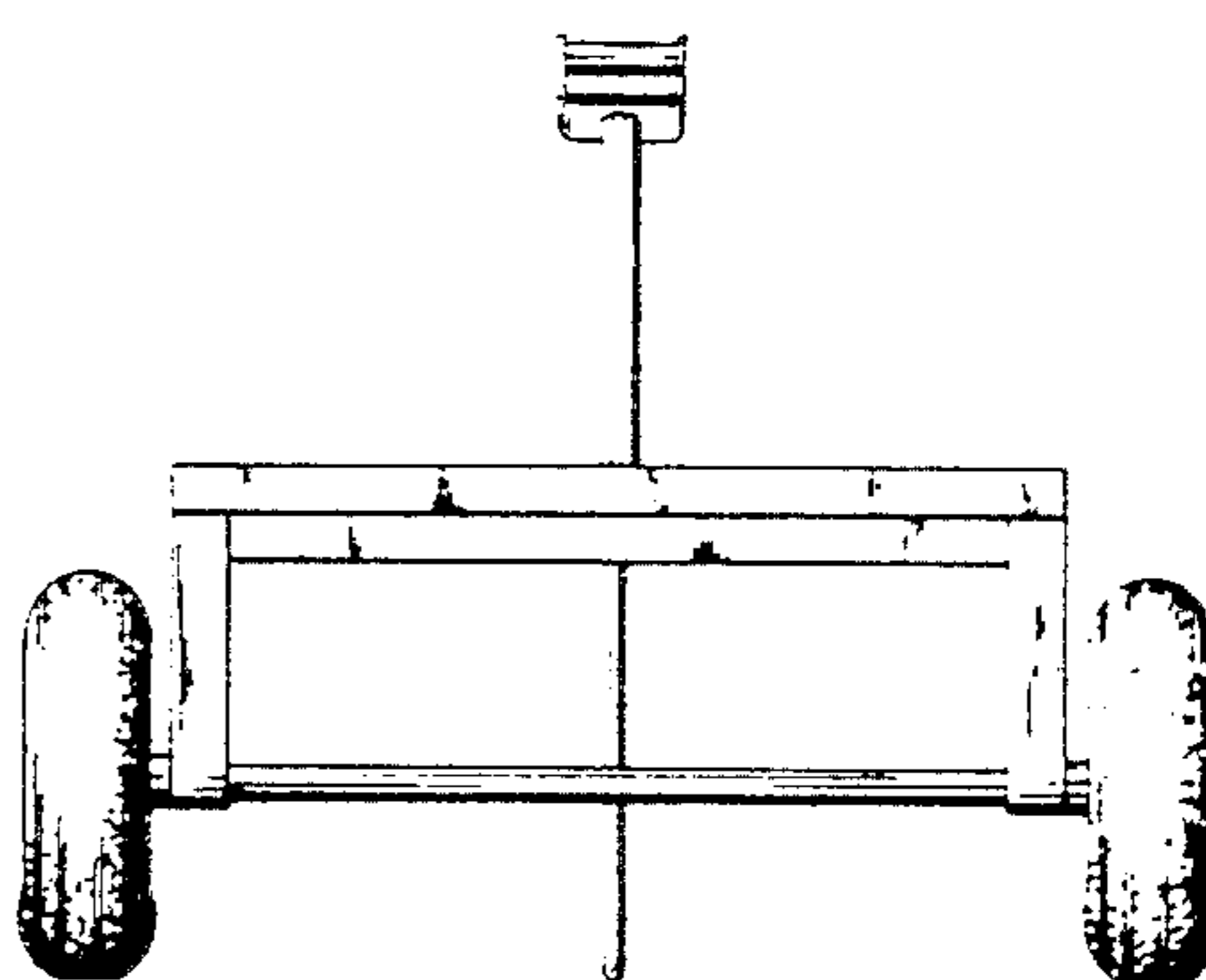


Fig. 4

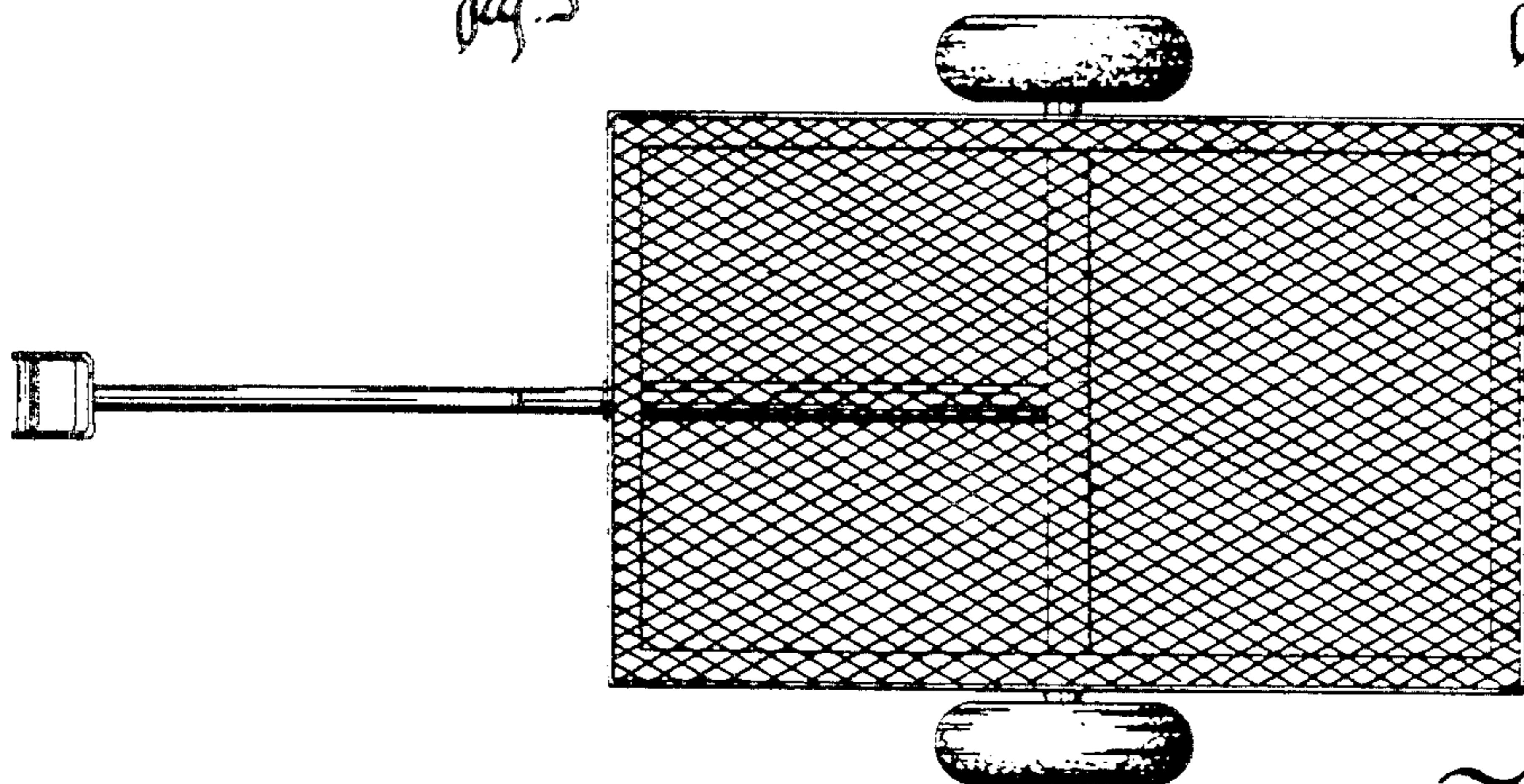


Fig. 5

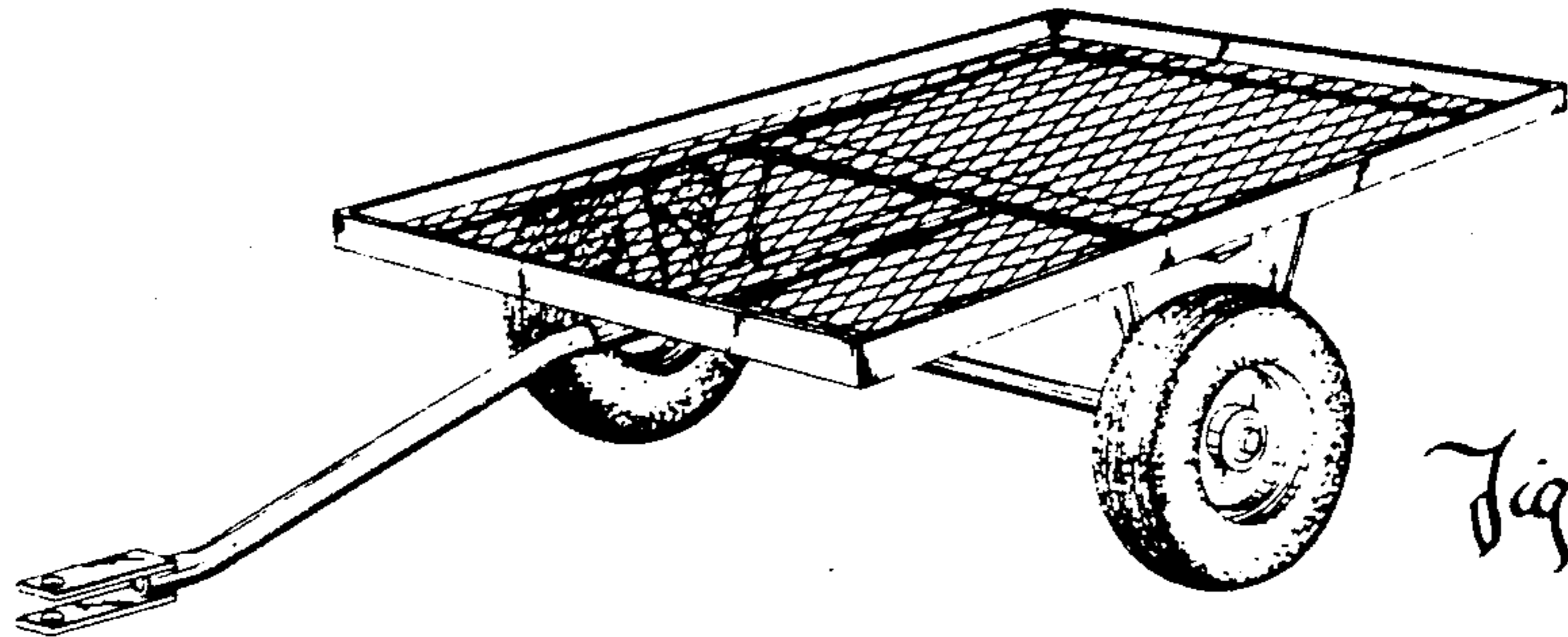


Fig. 6

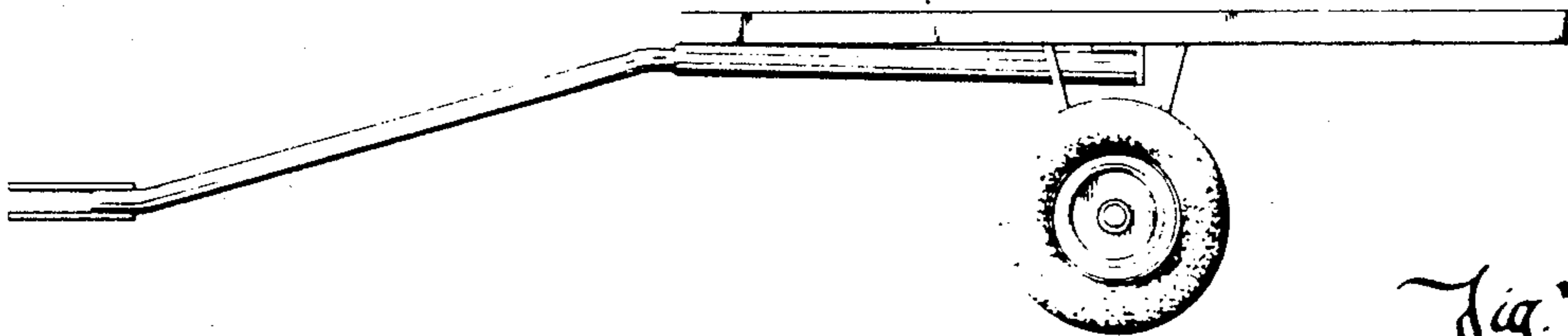


Fig. 7

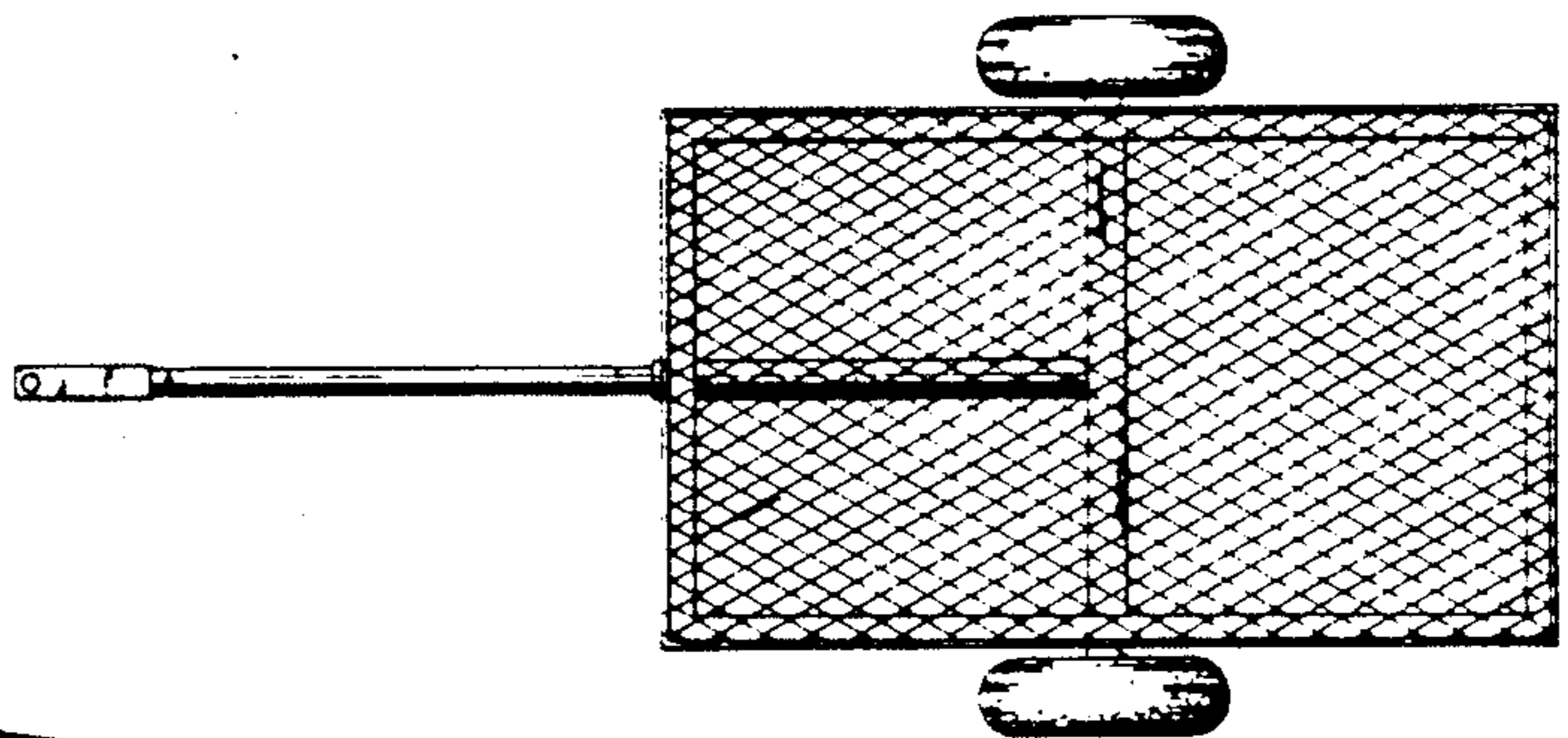


Fig. 8

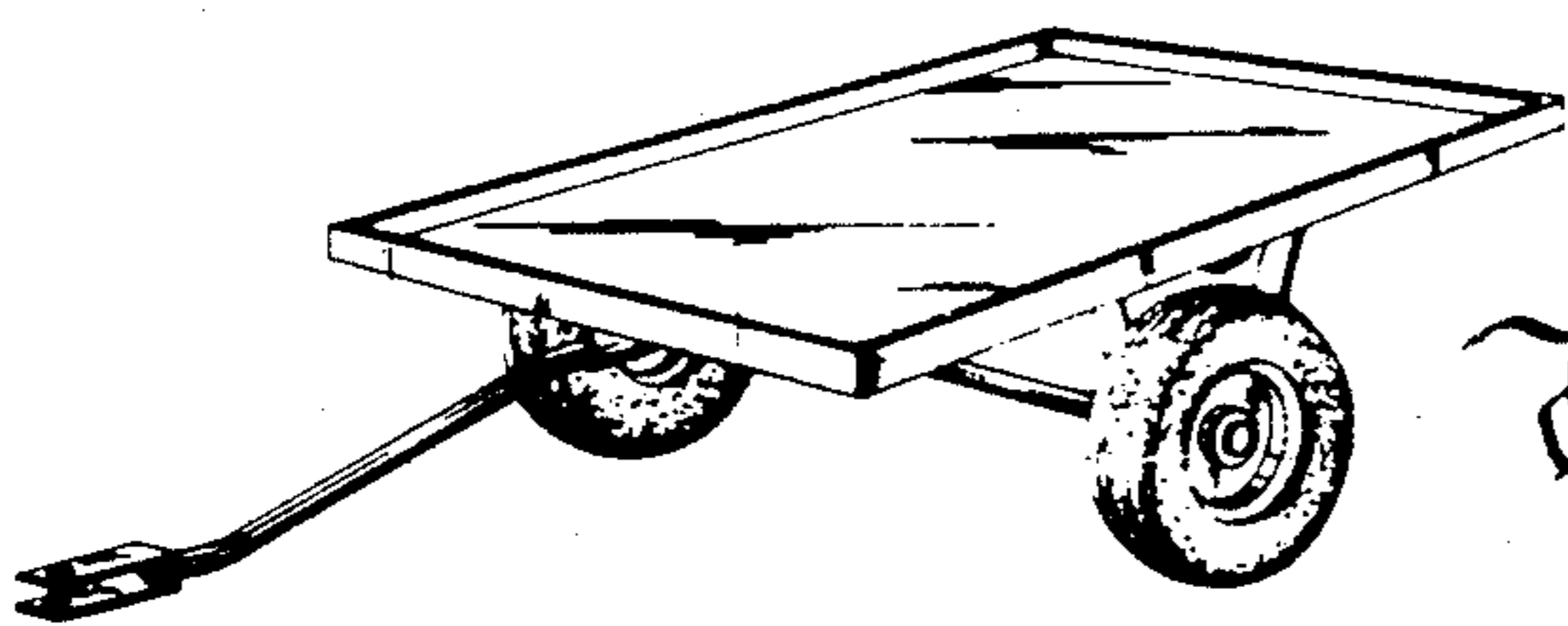


Fig. 9

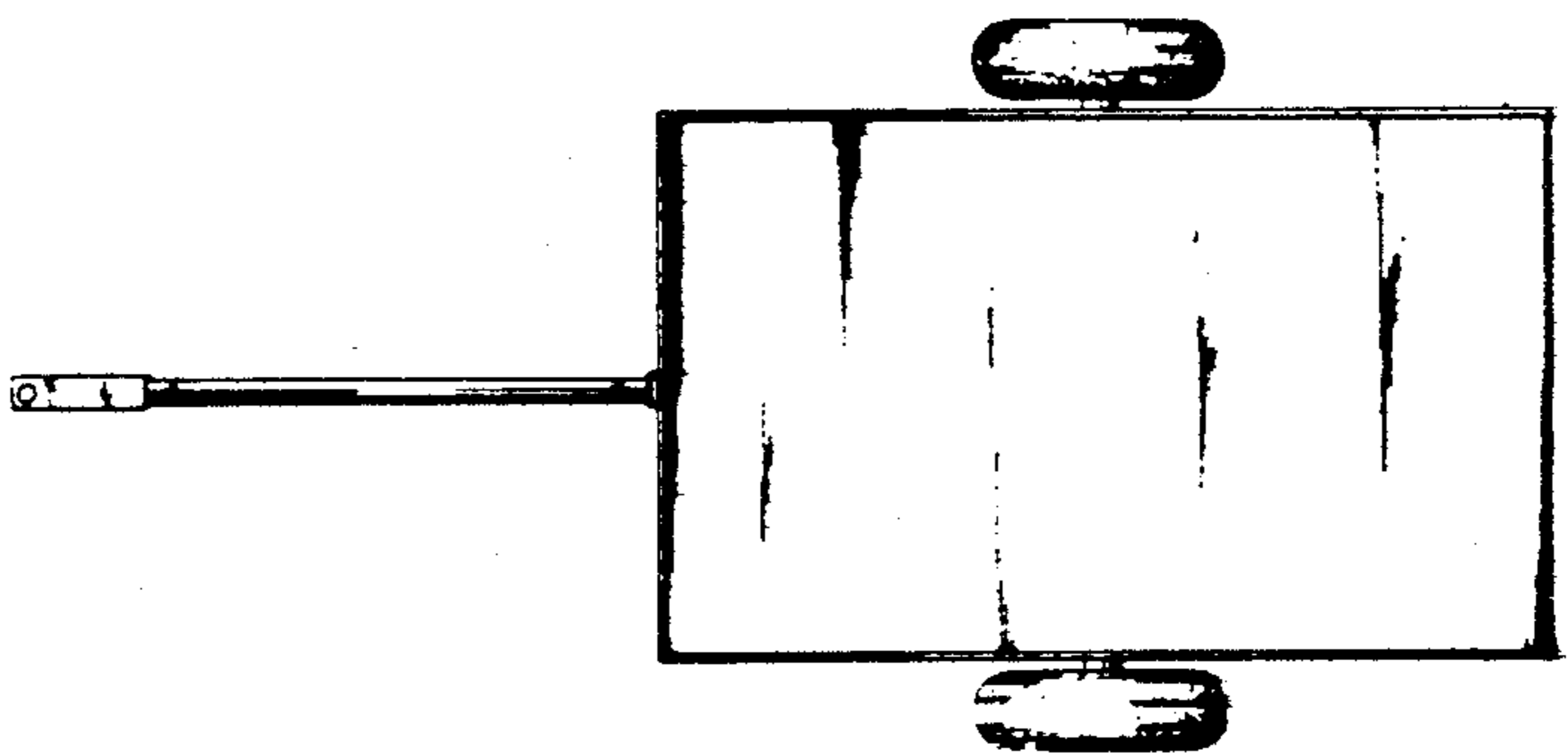


Fig. 10