

# United States Patent [19]

Dobson et al.

[11] Patent Number: **Des. 283,069**

[45] Date of Patent: **\*\* Mar. 18, 1986**

[54] **IRON BASE**

[75] Inventors: **William C. Dobson**, West Bend, Wis.;  
**William C. Cesaroni**, Glenview, Ill.

[73] Assignee: **Dart Industries Inc.**, Northbrook, Ill.

[\*\*] Term: **14 Years**

[21] Appl. No.: **581,491**

[22] Filed: **Feb. 17, 1984**

[52] U.S. Cl. .... **D32/73**

[58] Field of Search ..... **D32/68-73;**  
**38/69, 74, 75, 77.1-77.9, 88, 94, 96, 142;**  
**219/245-259, 271-276**

[56] **References Cited**

### U.S. PATENT DOCUMENTS

2,234,347	3/1941	Sobstein .....	219/247 X
2,339,495	1/1944	McMann .....	219/247
2,461,264	2/1949	Fox .....	219/247
2,507,071	5/1950	Warner .....	219/247 X

2,524,161	10/1950	Carp .....	219/247
2,714,650	8/1955	Werner .....	219/247
2,820,877	1/1958	Oates, Jr. ....	219/247
3,398,260	8/1968	Martens .....	38/79 X
3,745,676	7/1973	Dikoff .....	38/96
3,760,149	9/1973	Harsani .	

*Primary Examiner*—Catherine E. Kemper  
*Attorney, Agent, or Firm*—Gregory J. Mancuso

[57] **CLAIM**

The ornamental design for an iron base, substantially as shown.

### DESCRIPTION

FIG. 1 is a perspective view of an iron base showing our new design;

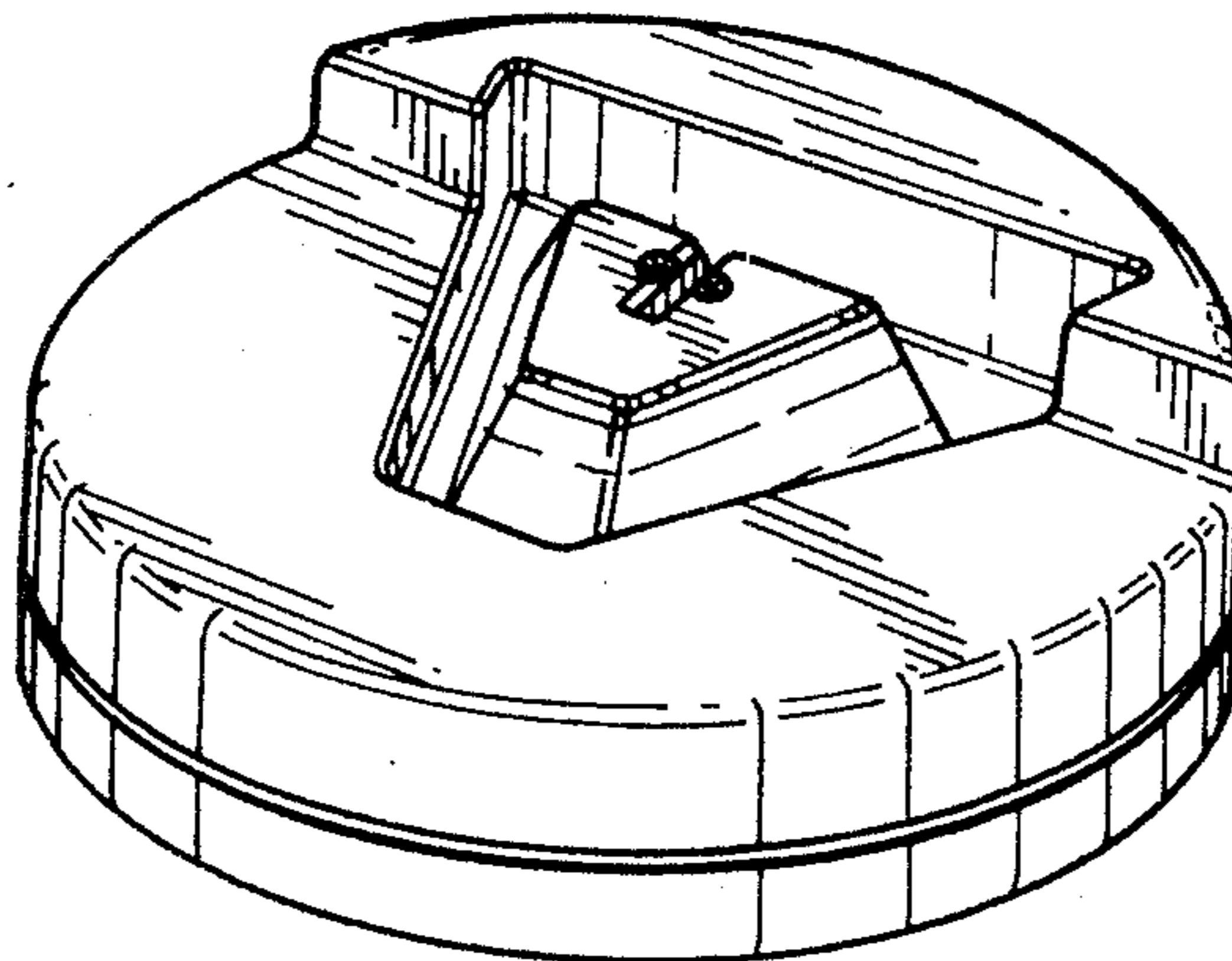
FIG. 2 is a side elevational view thereof;

FIG. 3 is a front elevational view thereof;

FIG. 4 is a rear elevational view thereof;

FIG. 5 is a top plan view thereof;

FIG. 6 is a bottom plan view thereof.



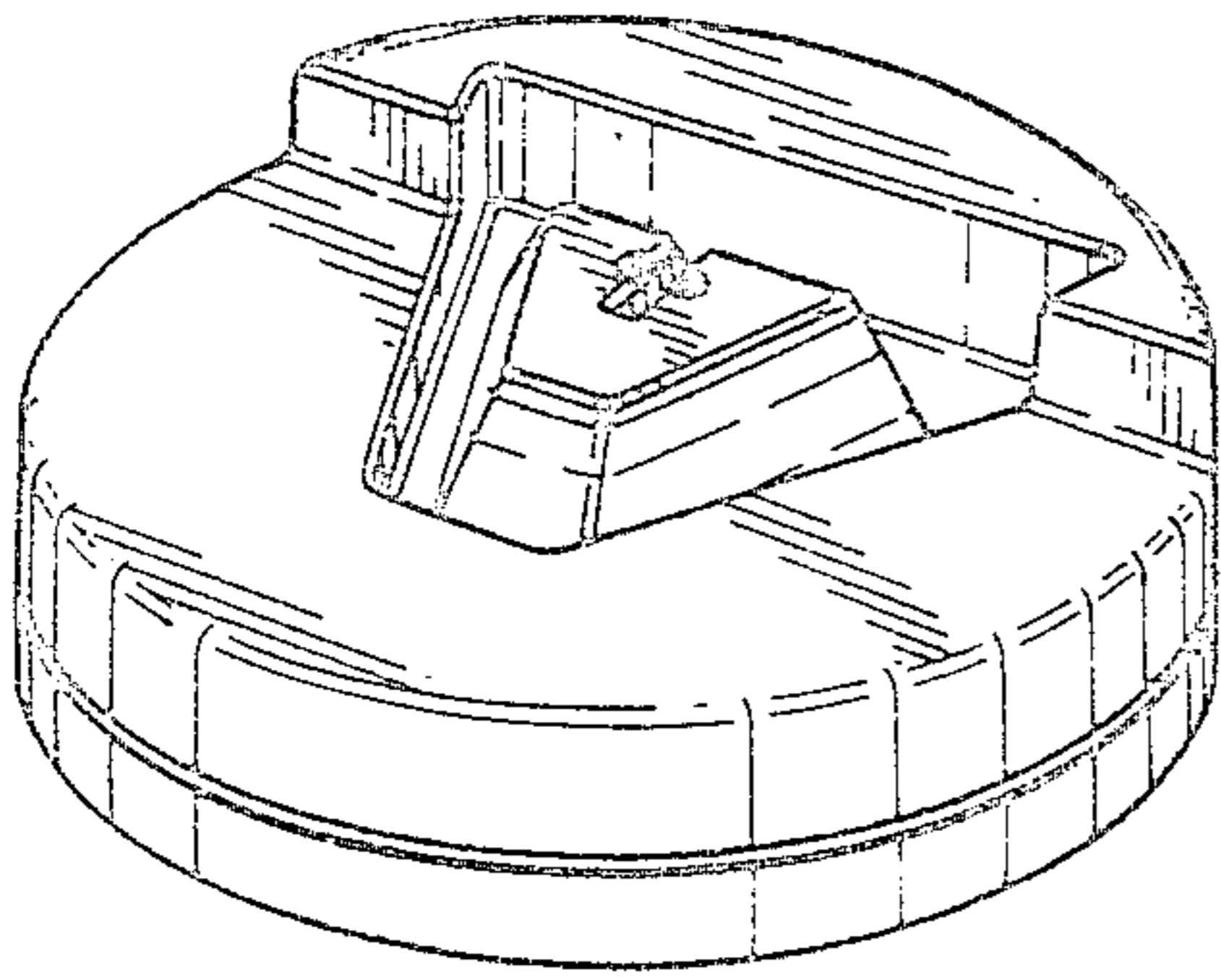


FIG. 1

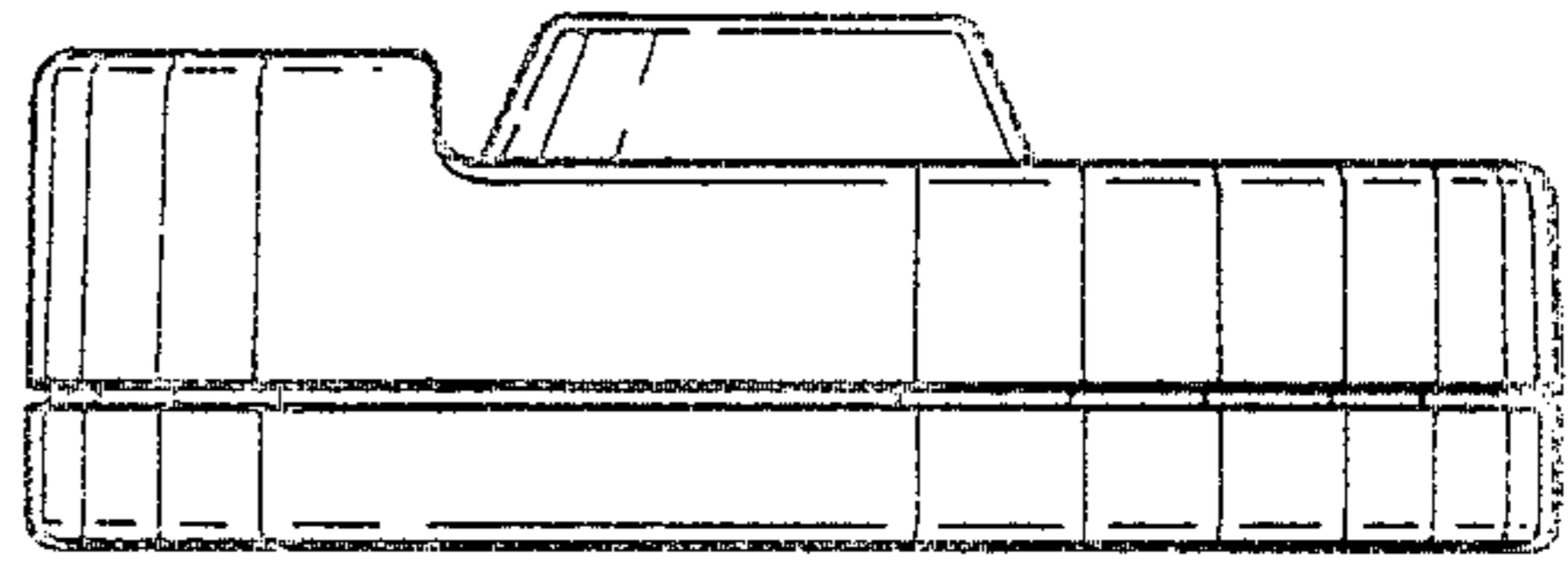


FIG. 2

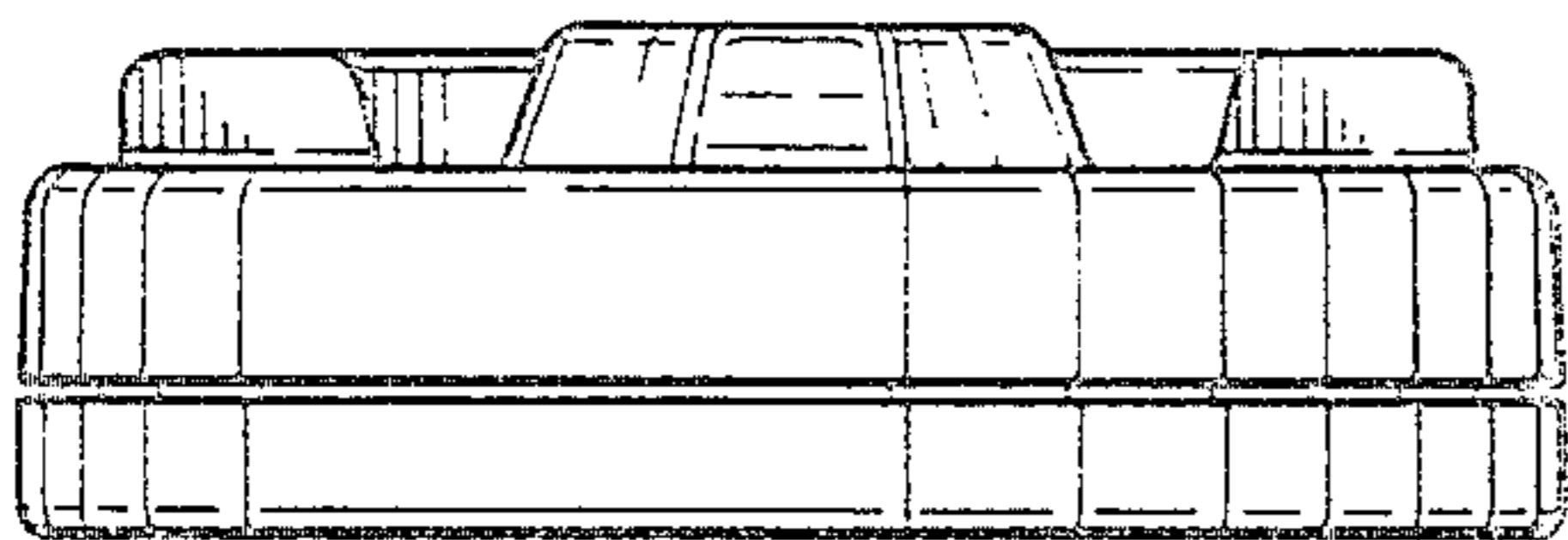


FIG. 3

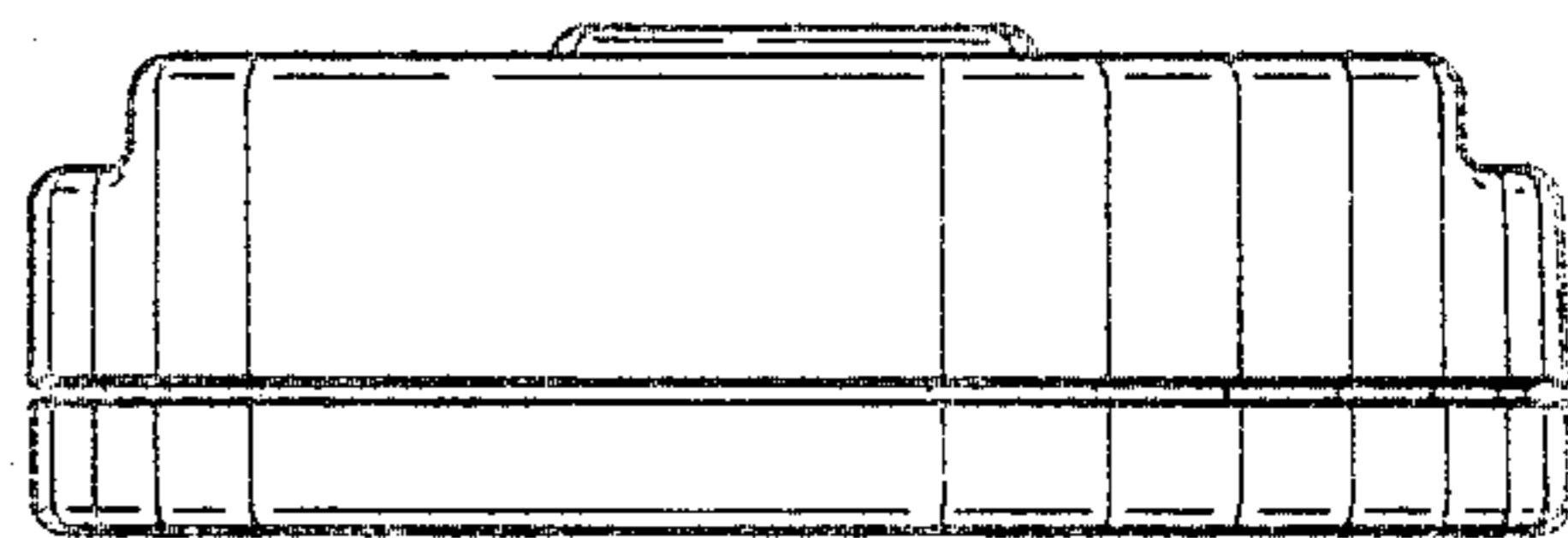


FIG. 4

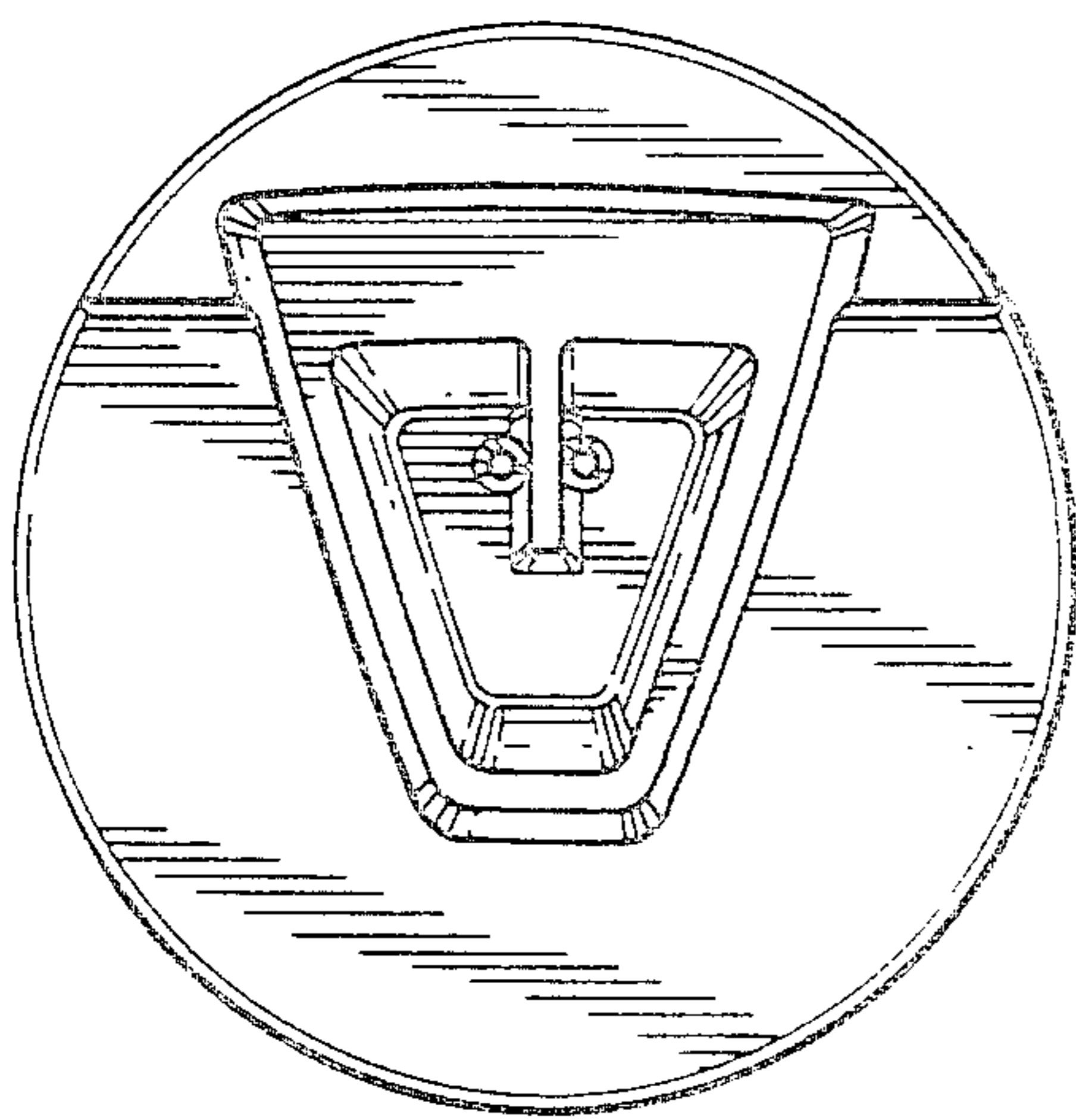


FIG. 5

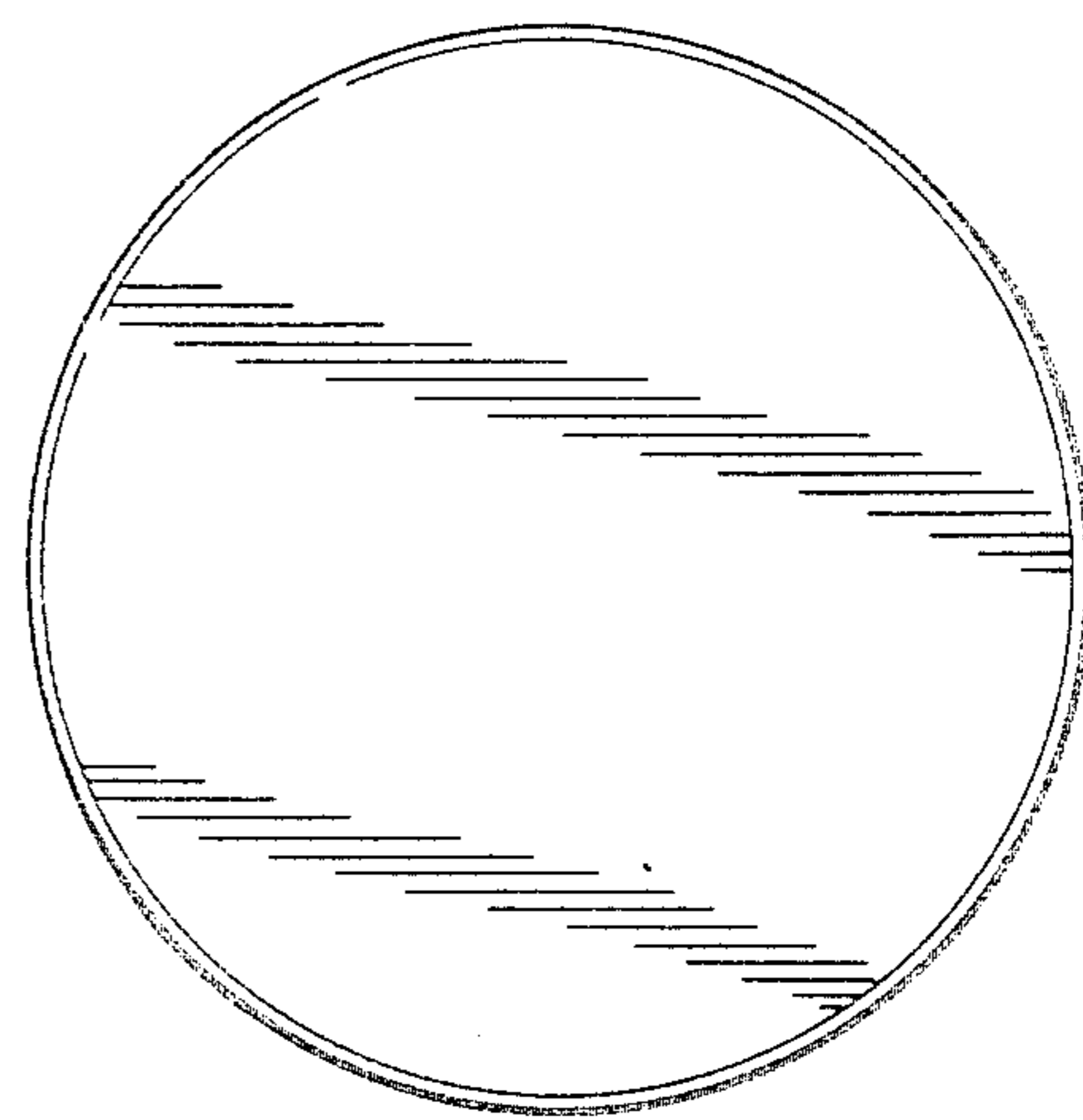


FIG. 6