

[54] TOP PORTION FOR A CANISTER-TYPE SUCTION APPARATUS

[75] Inventor: Siegfried Maier, Stetten, Fed. Rep. of Germany

[73] Assignee: DÜPRO AG, Romanshorn, Switzerland

[*] Notice: The portion of the term of this patent subsequent to Mar. 18, 2003 has been disclaimed.

[**] Term: 14 Years

[21] Appl. No.: 534,551

[22] Filed: Sep. 22, 1983

[30] Foreign Application Priority Data

Mar. 23, 1983 [DE] Fed. Rep. of Germany ... MR 20 745

[52] U.S. Cl. ... D32/23

[58] Field of Search ... D32/21-24; 15/320, 327 R, 327 D, 327 E

[56] References Cited

U.S. PATENT DOCUMENTS

D. 230,692	3/1974	Wachsman	D32/23
2,956,734	10/1960	Doyle	15/327 R
3,082,465	3/1963	Wood	15/327 R
4,330,899	5/1982	Miller et al.	15/326
4,435,877	3/1984	Berfield	15/326

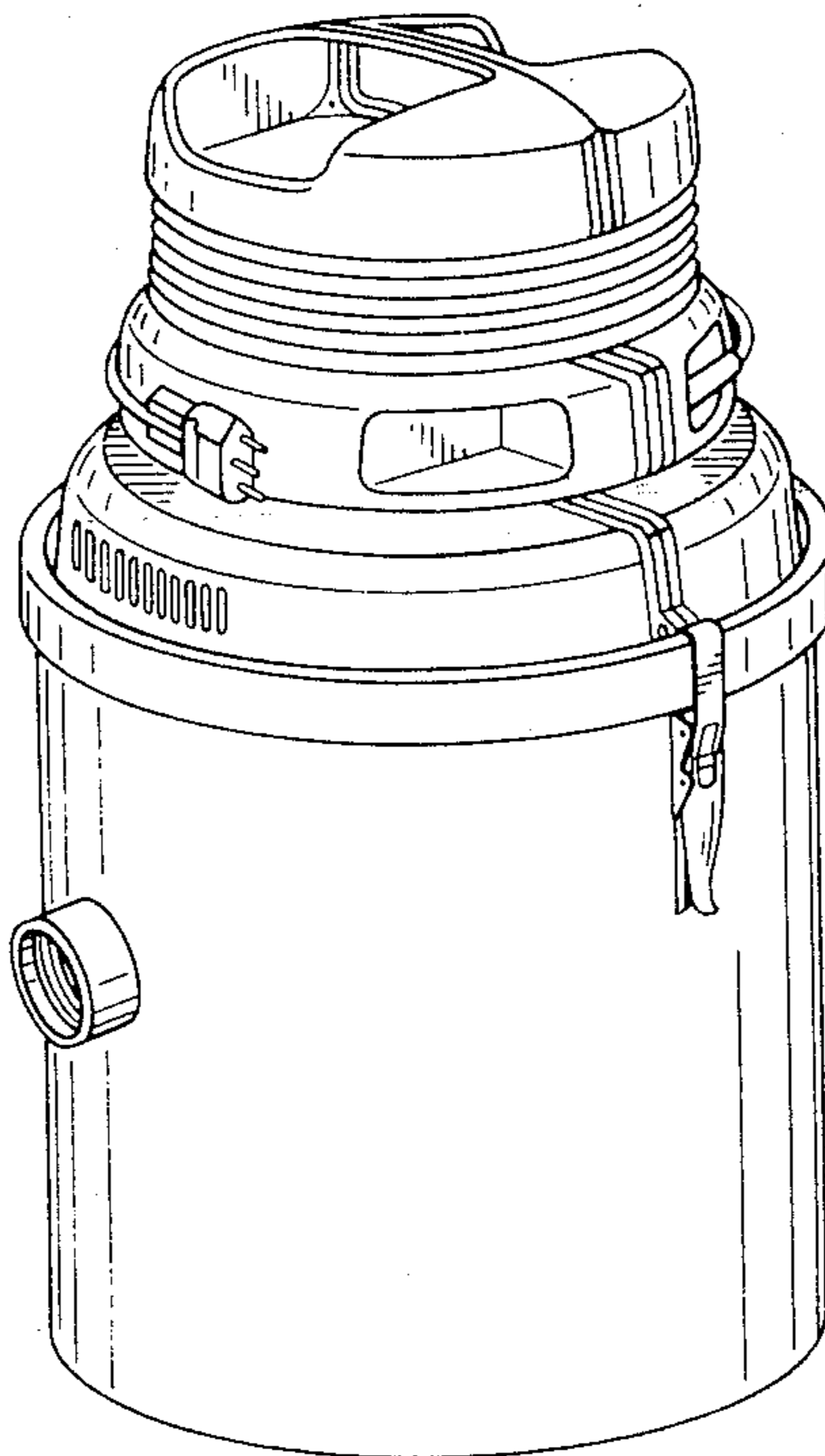
Primary Examiner—Wallace R. Burke
Assistant Examiner—Lynn Wilder
Attorney, Agent, or Firm—Becker & Becker, Inc.

[57] CLAIM

The ornamental design for a top portion for a canister-type suction apparatus, as shown.

DESCRIPTION

FIG. 1 is a perspective view of a top portion for a canister type suction apparatus showing my new design; FIG. 2 is a side elevational view thereof, the opposite side being a mirror image; and FIG. 3 is a top plan view thereof. The rear of the claimed design is suggested by FIGS. 2 and 3 features no additional distinguishing elements.



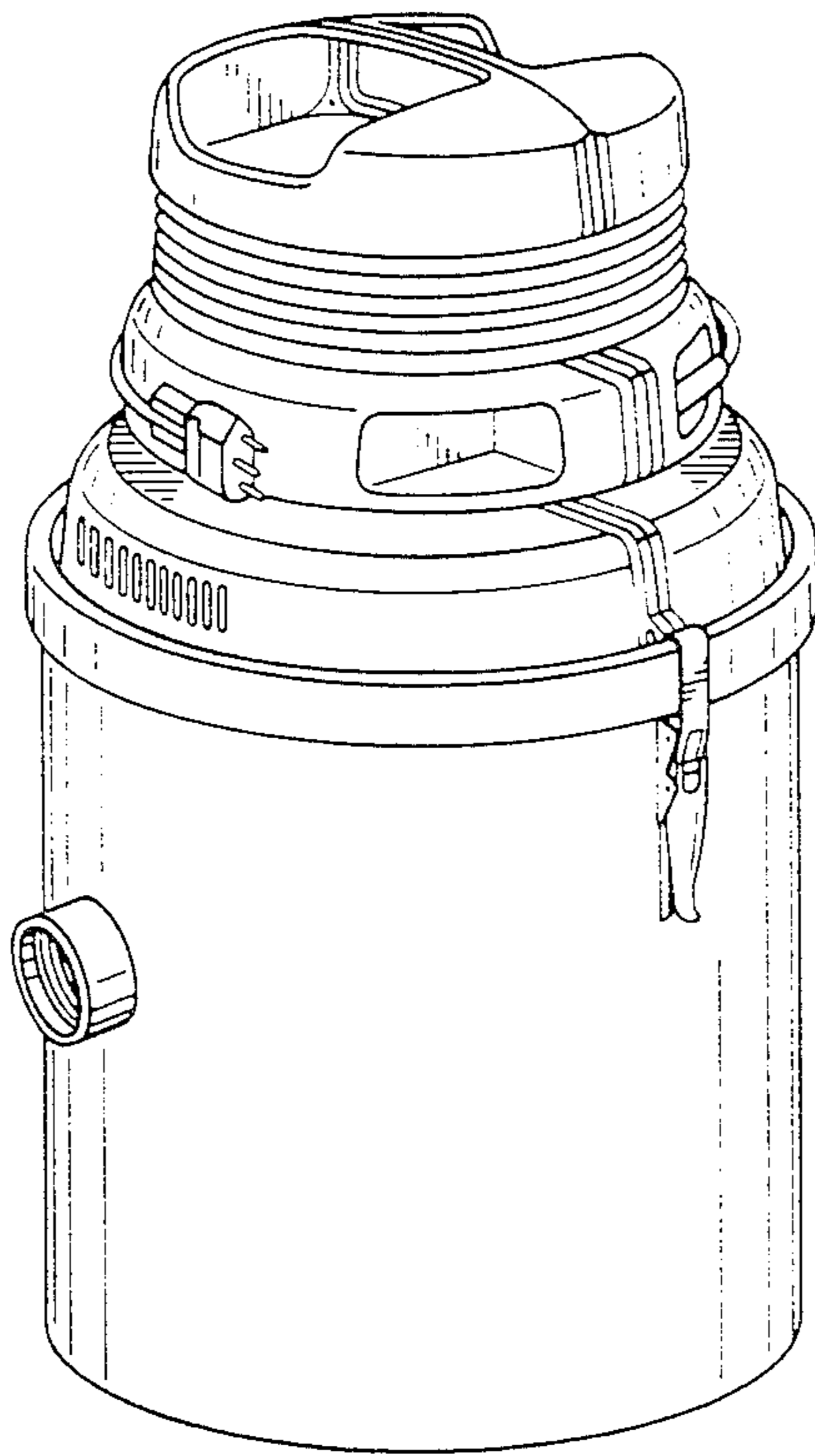


Fig. 1

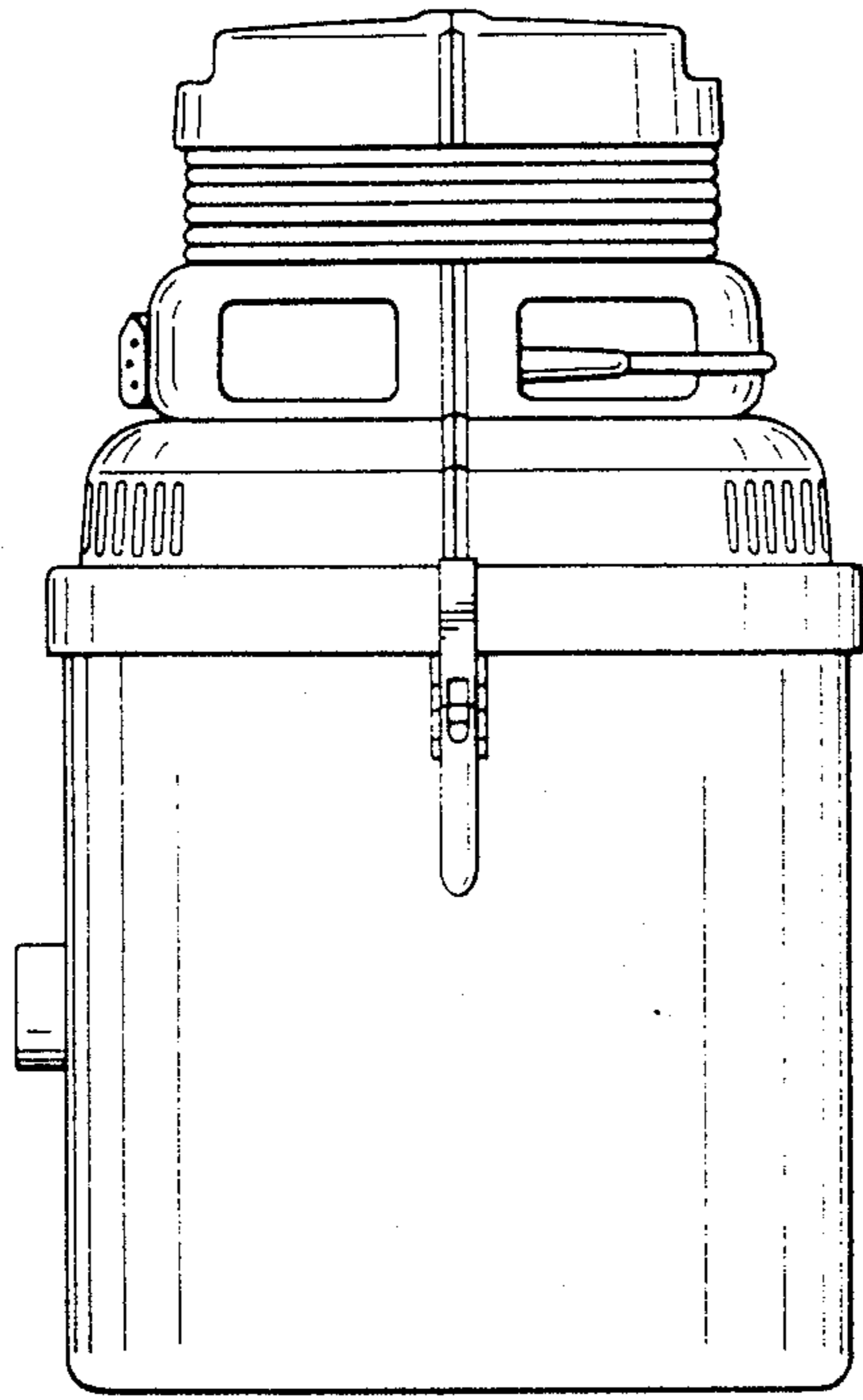


Fig. 2

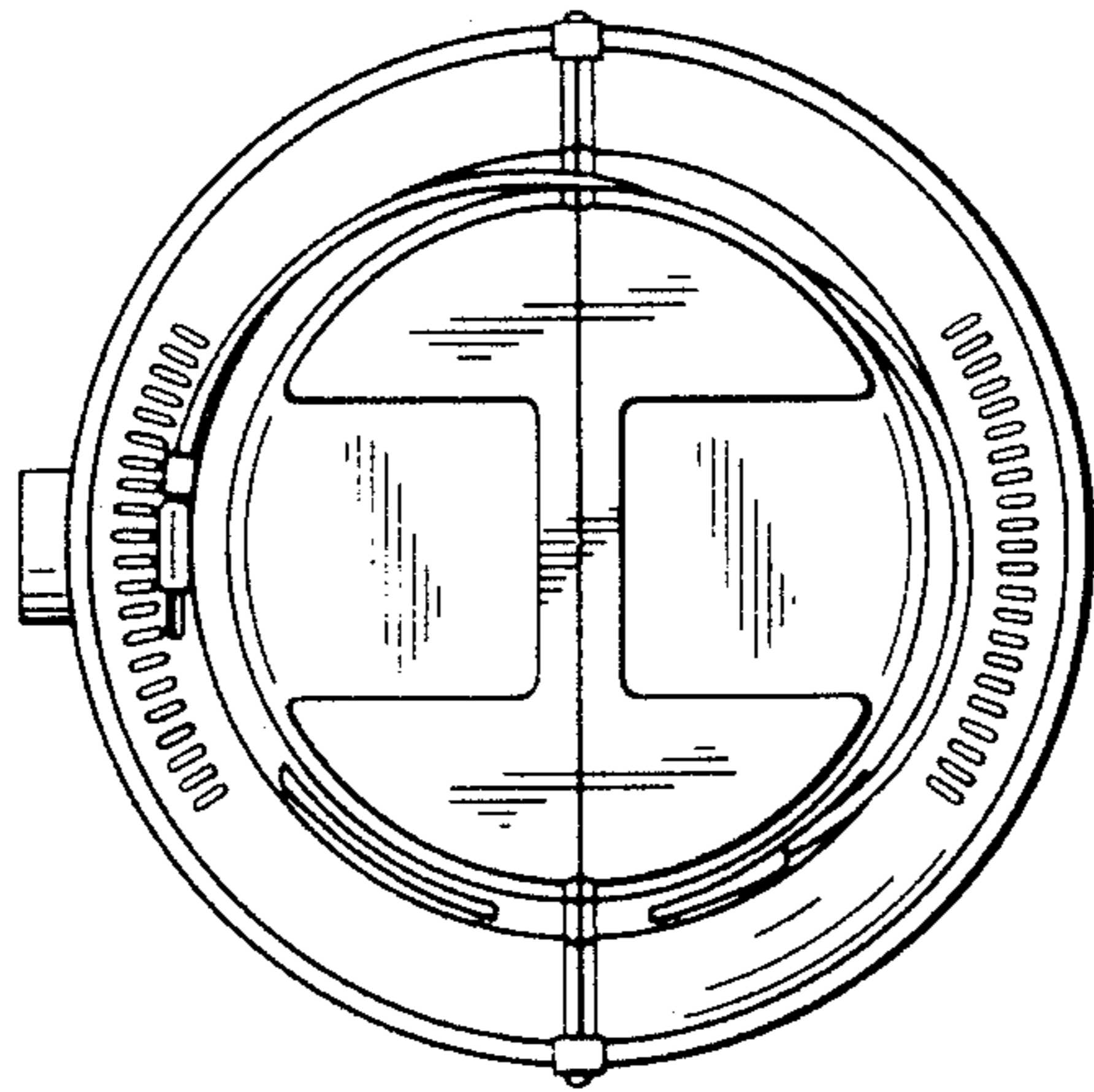


Fig. 3