

[54] BARBER'S COMB

[76] Inventor: Christopher M. Rogers, 2020 Second Ave. South, Apt. #2, Minneapolis, Minn. 55404

[**] Term: 14 Years

[21] Appl. No.: 627,814

[22] Filed: Jul. 5, 1984

[52] U.S. Cl. D28/25

[58] Field of Search D28/10, 21-34; D30/40; 132/11 R, 112-116, 148-152, 159-163, DIG. 1

[56] References Cited

U.S. PATENT DOCUMENTS

- D. 64,612 5/1924 Trachtenberg D28/25
- D. 157,064 1/1950 Mansfield D28/25 X
- 2,491,753 12/1949 Morin D28/25 X
- 4,368,745 1/1983 McGuffey 132/11 R

4,517,998 5/1985 Furco D28/25 X

Primary Examiner—Louis S. Zarfes
Attorney, Agent, or Firm—Schroeder & Siegfried

[57] CLAIM

The ornamental design for a barber's comb, as shown and described.

DESCRIPTION

FIG. 1 is a perspective view of a barber's comb showing my new design, the teeth being continuous over the span indicated by dot-dash line;

FIG. 2 is a side elevational view of the same;

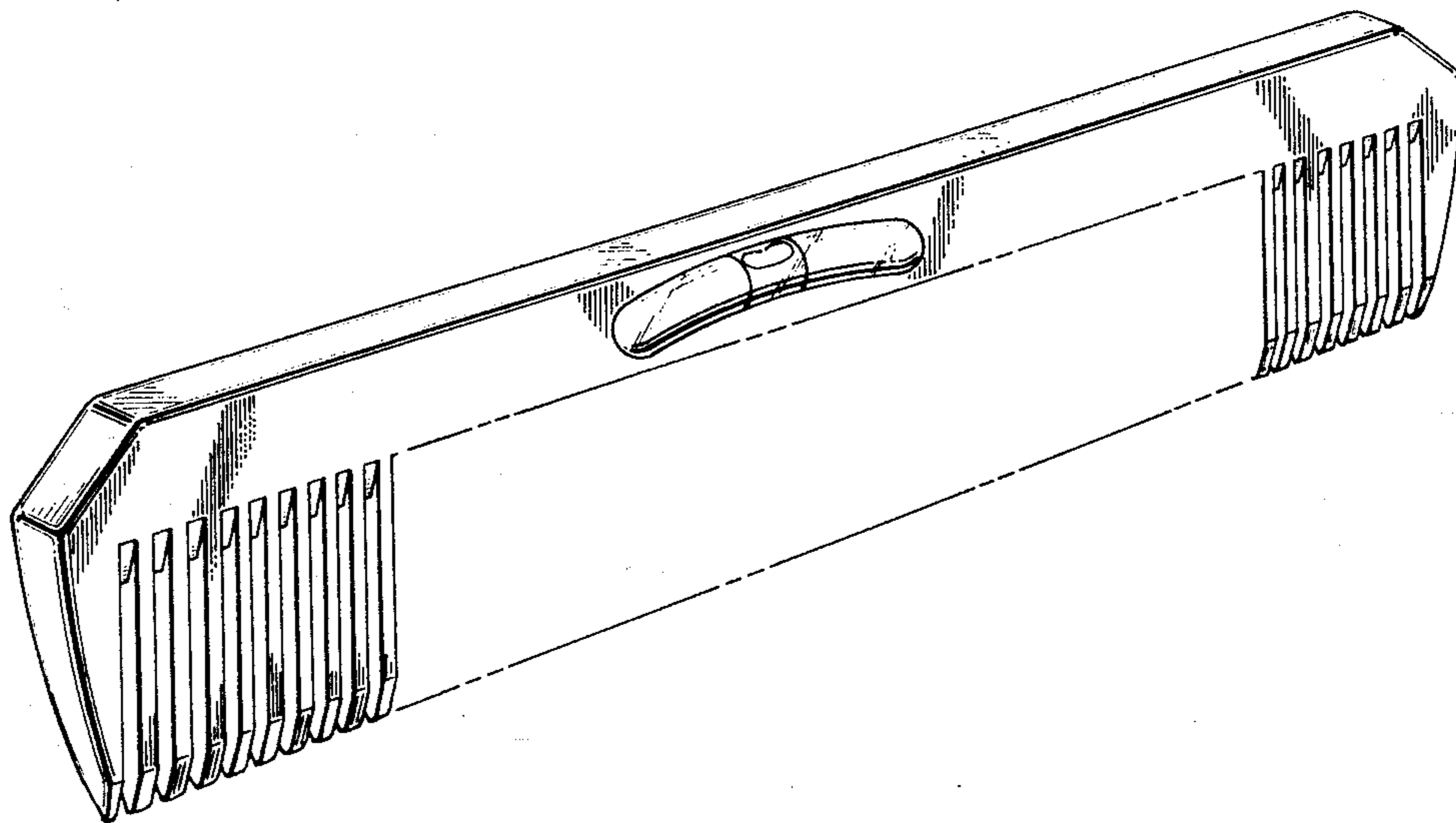
FIG. 3 is an end elevational view of the same;

FIG. 4 is a top plan view of the same; and

FIG. 5 is a bottom plan view of the same.

The side view opposite that shown in FIG. 2 is essentially a mirror image thereof.

The end view opposite that shown in FIG. 3 is essentially a mirror image thereof.



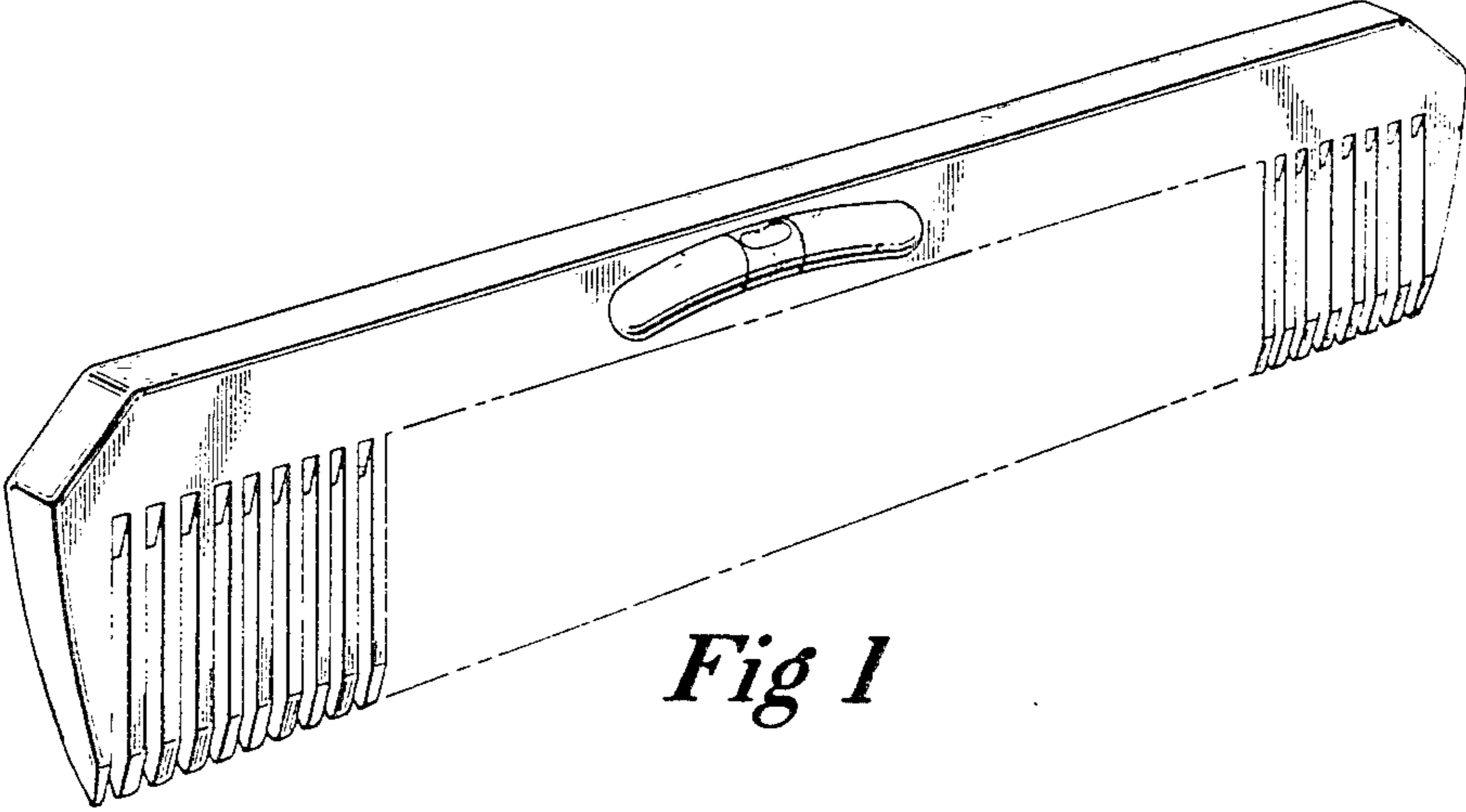


Fig 1



Fig 3

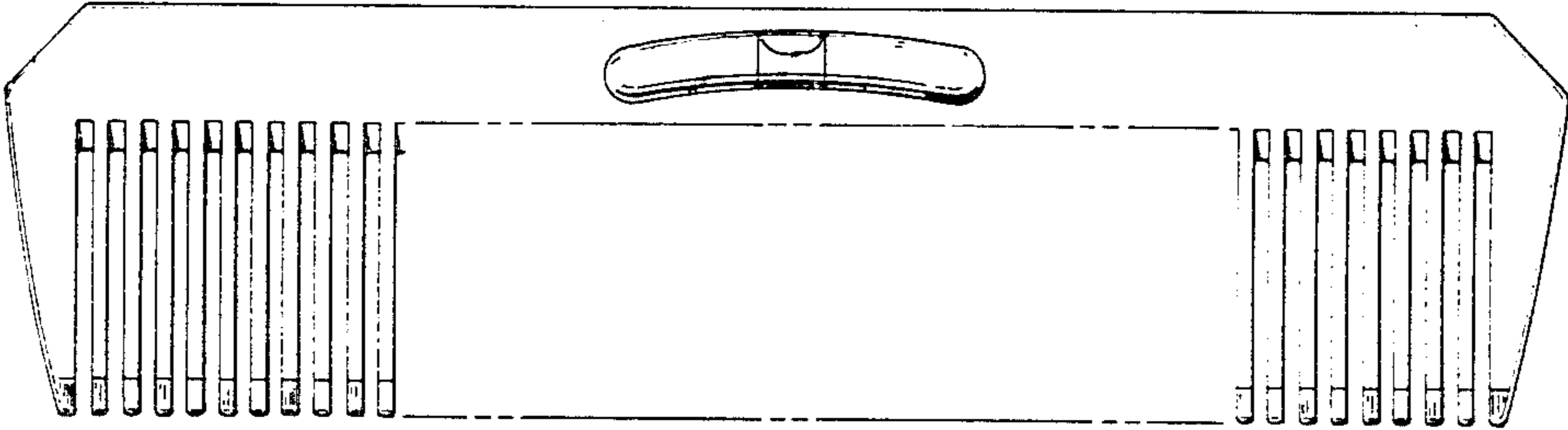


Fig 2

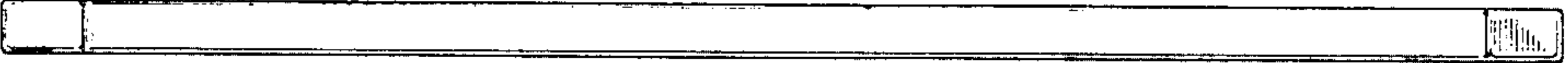


Fig 4

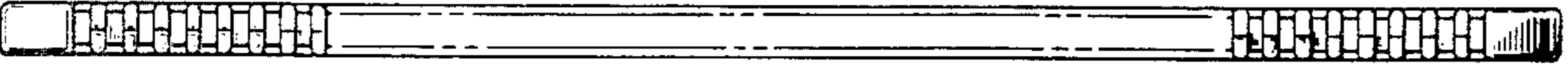


Fig 5