

[54] VEHICLE LAMP

[76] Inventor: David P. Meyer, 16732 Kehrsgrrove Dr., St. Louis County, Mo. 63017

[**] Term: 14 Years

[21] Appl. No.: 507,026

[22] Filed: Jun. 23, 1983

[52] U.S. Cl. D26/28; D26/122

[58] Field of Search D26/120, 122, 123, 124, D26/128-137, 28, 35, 36; 362/326-340, 297, 307, 309, 310, 311, 61, 74, 80, 82, 83

[56] References Cited

U.S. PATENT DOCUMENTS

- D. 145,277 7/1946 Trautner D26/28
- D. 191,629 10/1961 Bruce D26/28
- D. 243,791 3/1977 Nagel D26/122
- 2,426,534 8/1947 Trautner 362/311 X

FOREIGN PATENT DOCUMENTS

846732 8/1952 Fed. Rep. of Germany 362/309

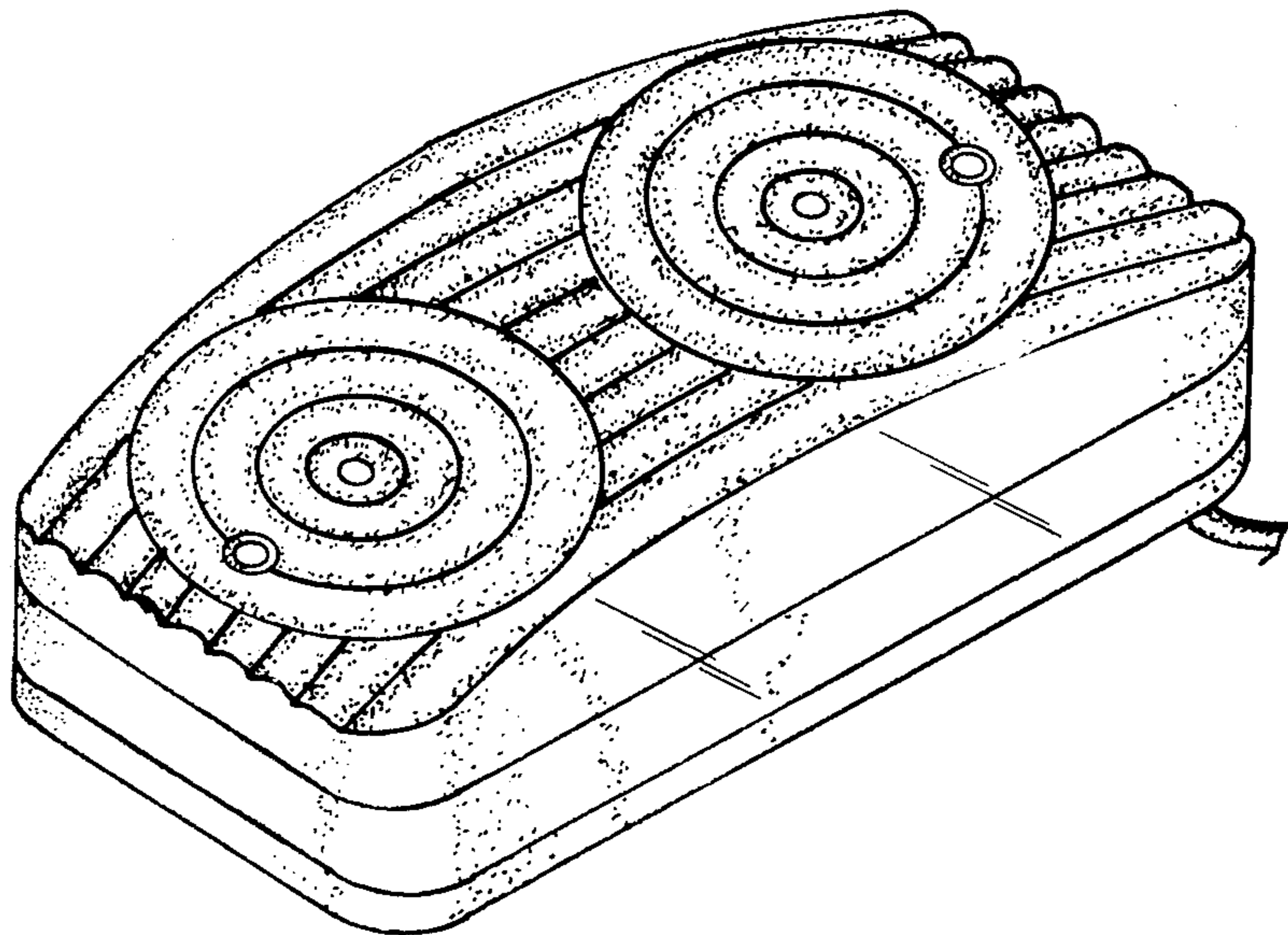
Primary Examiner—Susan J. Lucas
Attorney, Agent, or Firm—Paul M. Denk

[57] CLAIM

The ornamental design for the vehicle lamp, as shown and described.

DESCRIPTION

FIG. 1 is an isometric view of a vehicle lamp showing my new design;
 FIG. 2 is a top view thereof;
 FIG. 3 is a right side view thereof, the left side view being a mirror image;
 FIG. 4 is a front view thereof, the rear being a mirror image; and,
 FIG. 5 is a bottom view thereof.



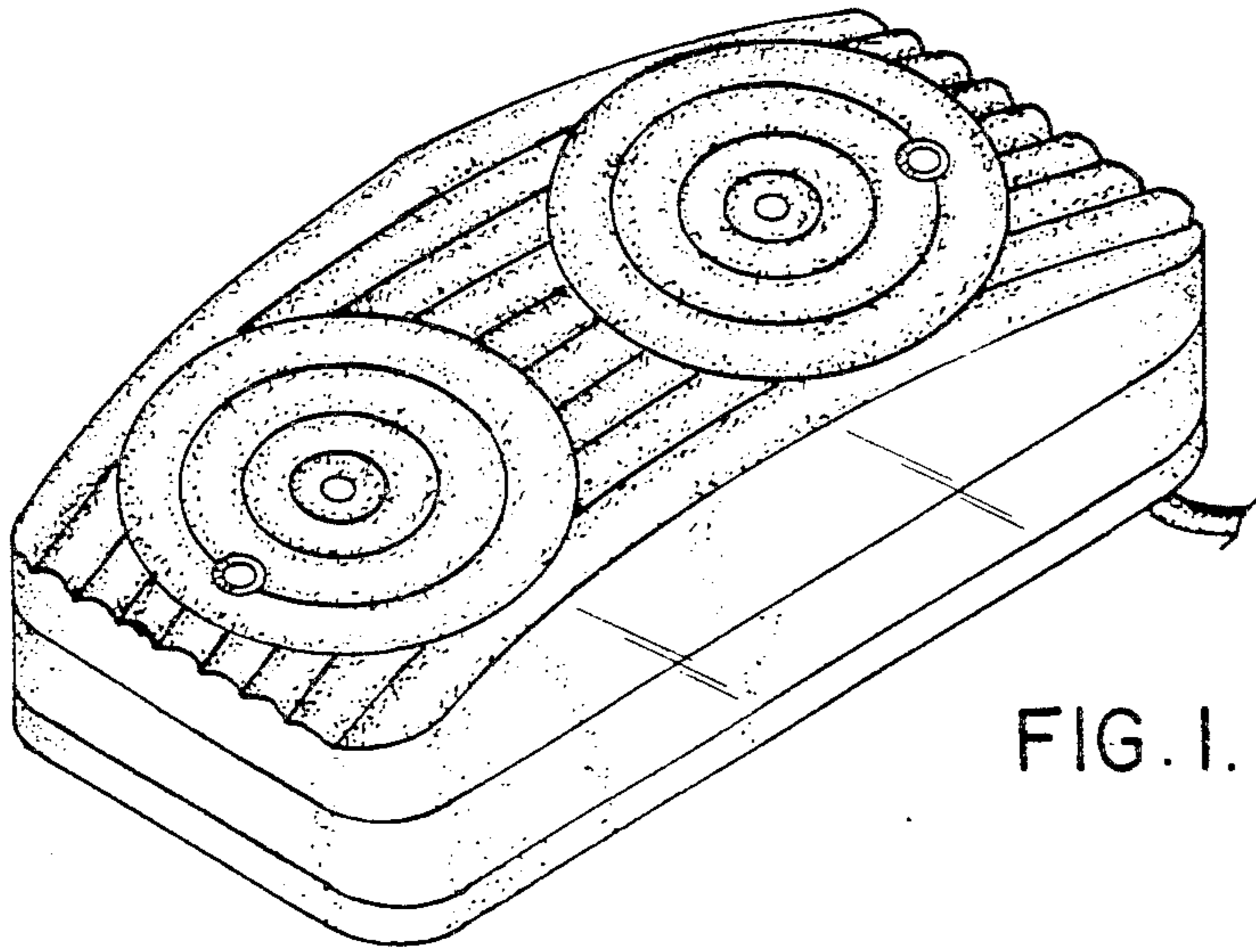


FIG. 1.

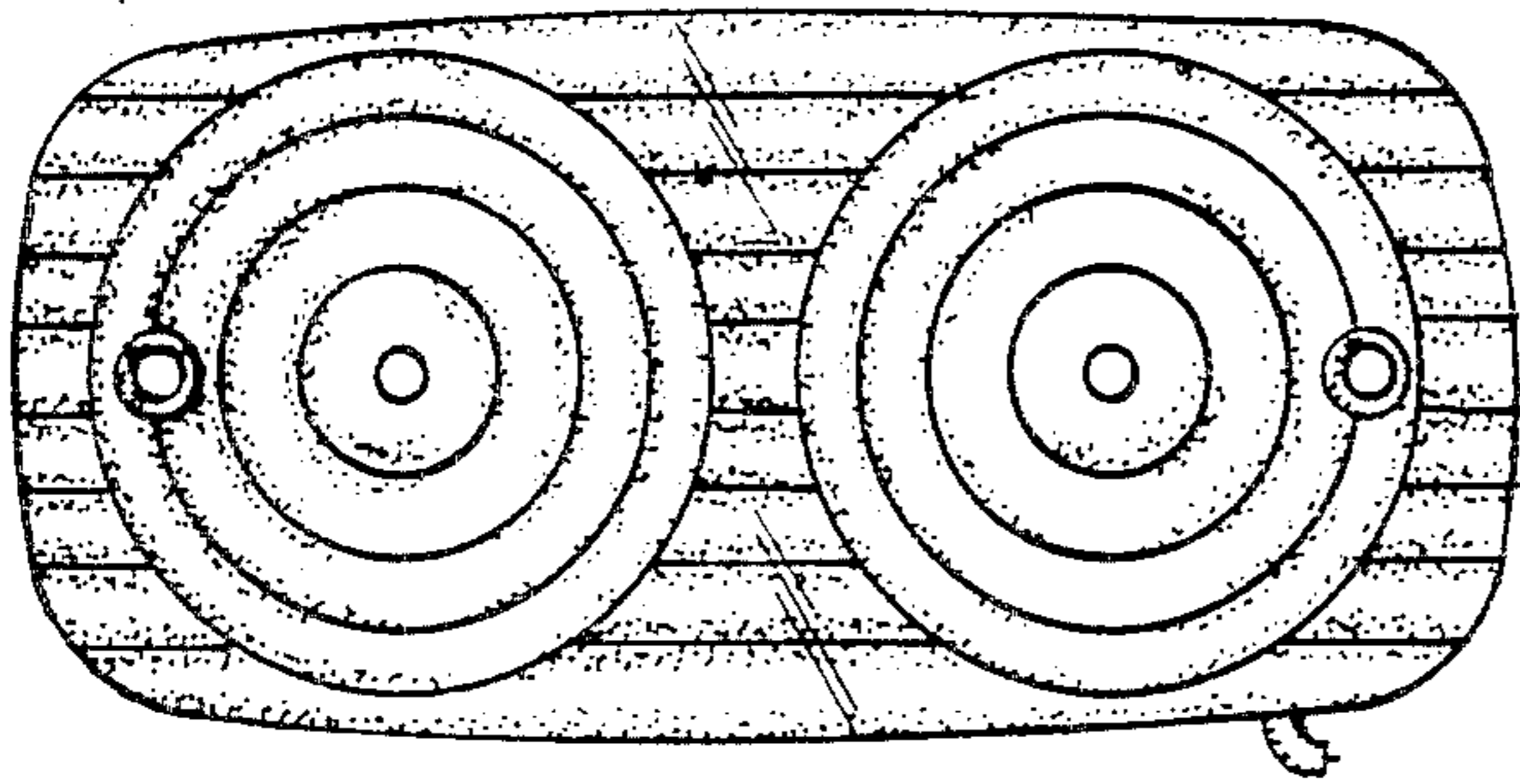


FIG. 2.

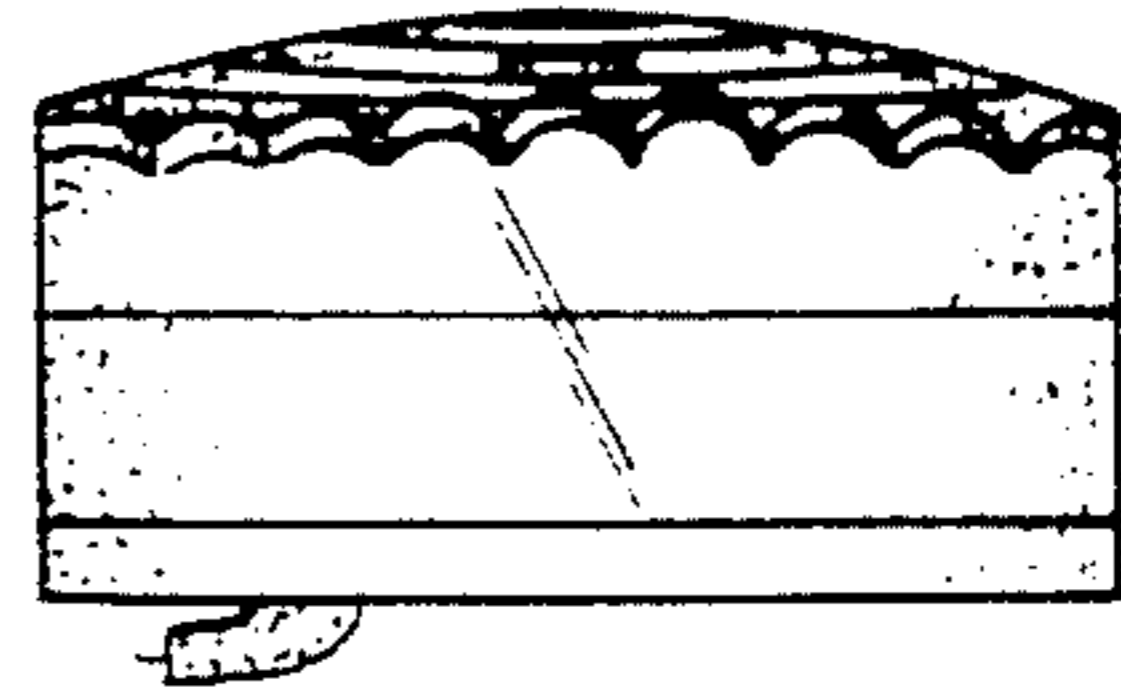


FIG. 3.

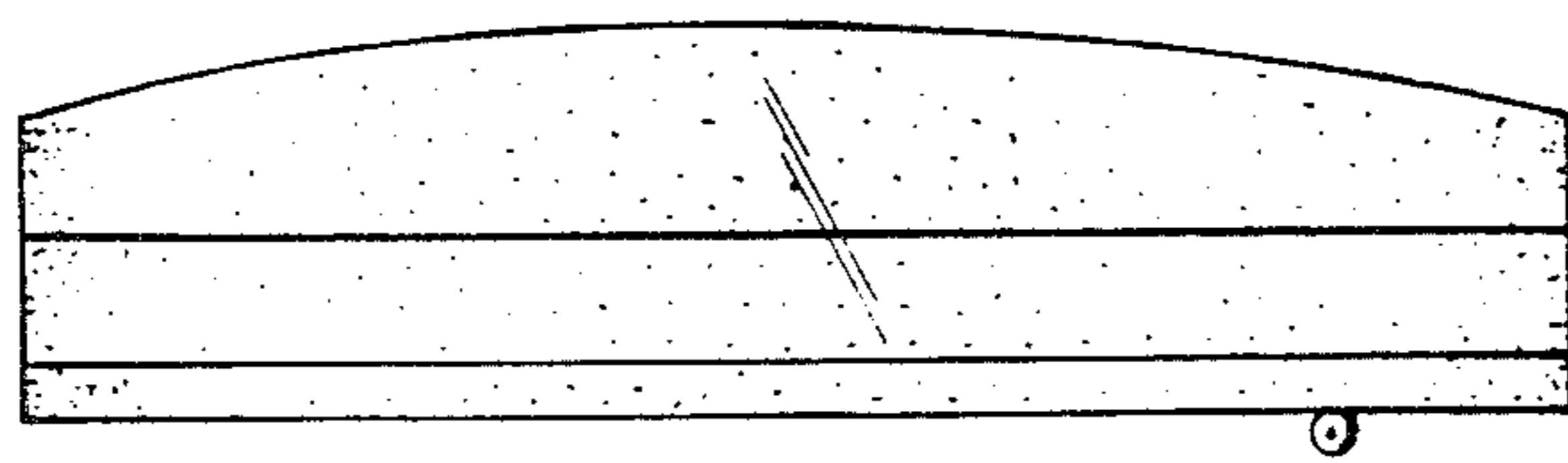


FIG. 4.

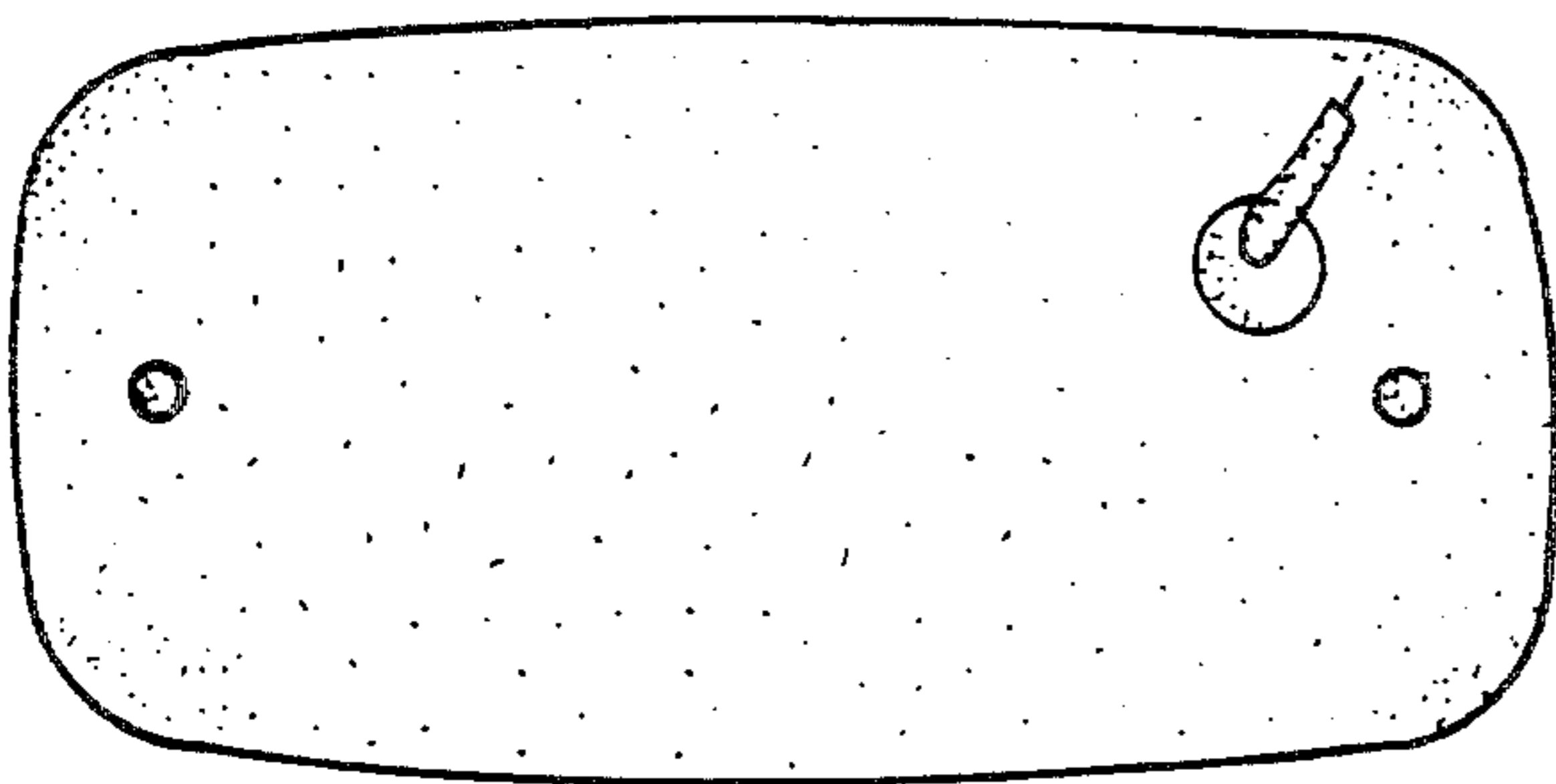


FIG. 5.