

[54] ROTATABLE DETACHABLE HEAD FOR WEATHER RESISTANT SPOT LIGHT

[75] Inventor: Charles W. C. Altman, Yonkers, N.Y.

[73] Assignee: Altman Stage Lighting Co., Inc., Yonkers, N.Y.

[**] Term: 14 Years

[21] Appl. No.: 476,535

[22] Filed: Mar. 18, 1983

[52] U.S. Cl. D26/24

[58] Field of Search D26/24, 60-67; 362/362, 297, 307, 310, 311, 235, 250, 257, 269, 270, 282, 285

[56] References Cited

U.S. PATENT DOCUMENTS

- D. 247,689 4/1978 LeVasseur D26/63
- 2,962,583 11/1960 Balser D26/63 X
- 3,040,993 6/1962 Schultz 362/269

OTHER PUBLICATIONS

Capri Low Voltage Lighting Catalog ©, 1981, p. 7, Projecter#926 (bottom).

Primary Examiner—Susan J. Lucas
Attorney, Agent, or Firm—Lackenbach Siegel Marzullo Presta & Aronson

[57] CLAIM

The ornamental design for rotatable detachable head for a weather resistant spot light, as shown and described.

DESCRIPTION

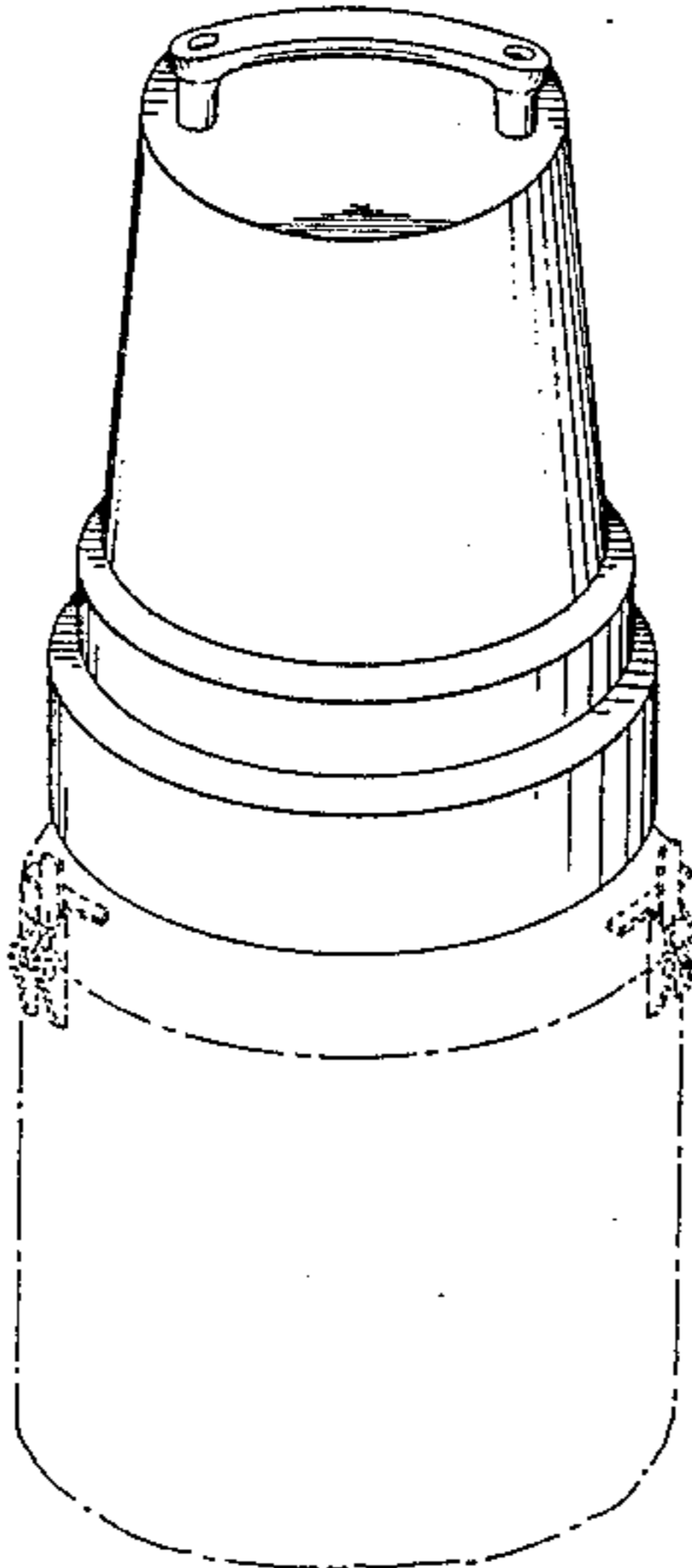
FIG. 1 is a side elevational view of a rotatable, detachable head for a weather resistant spot light showing my new design;

FIG. 2 is a top plan view thereof;

FIG. 3 is a bottom plan view thereof;

FIG. 4 is a perspective view thereof on a reduced scale;

The spot light housing and clamps for attaching the head to the housing are shown in broken lines for illustrative purposes only.



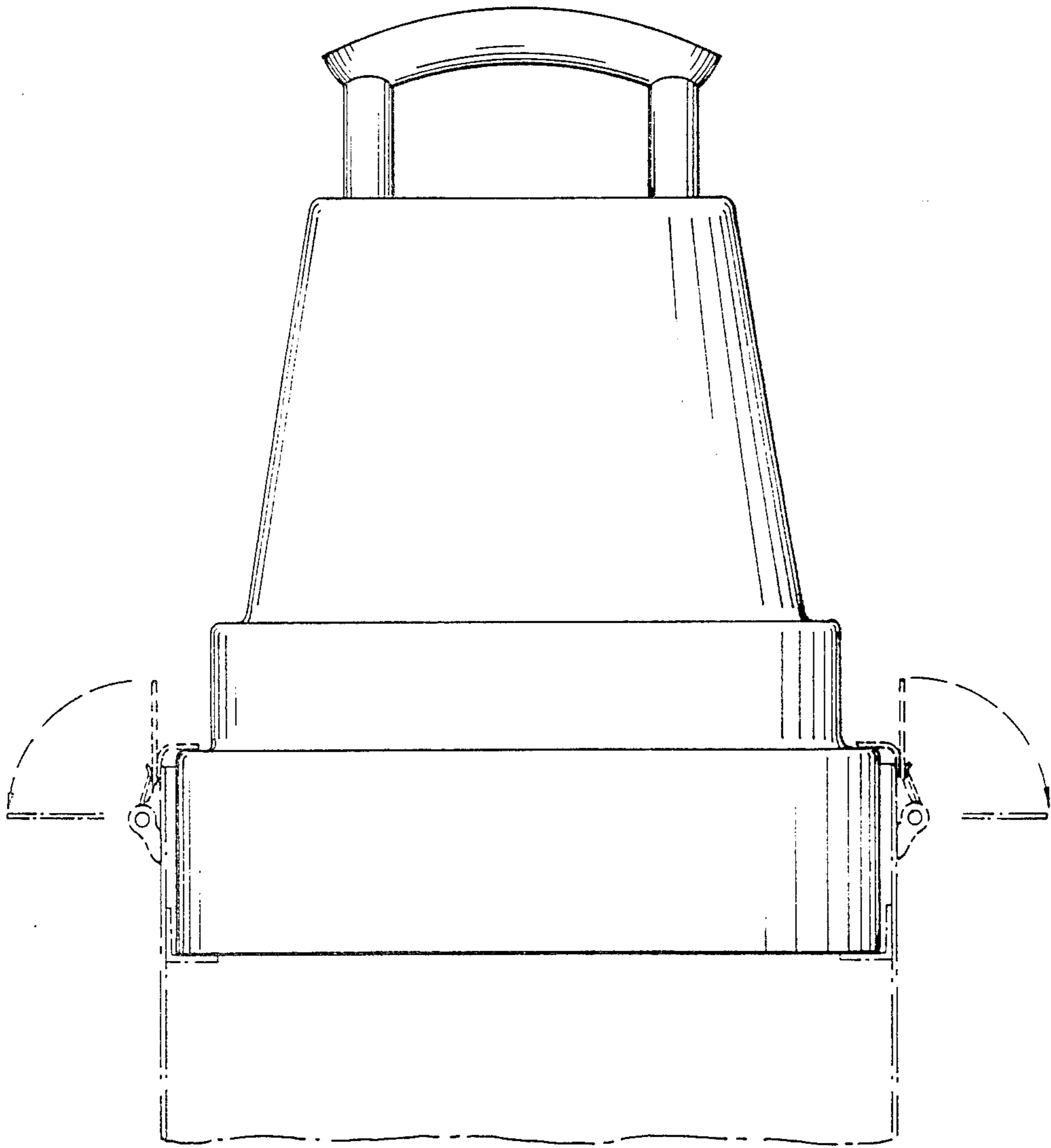


FIG. 1

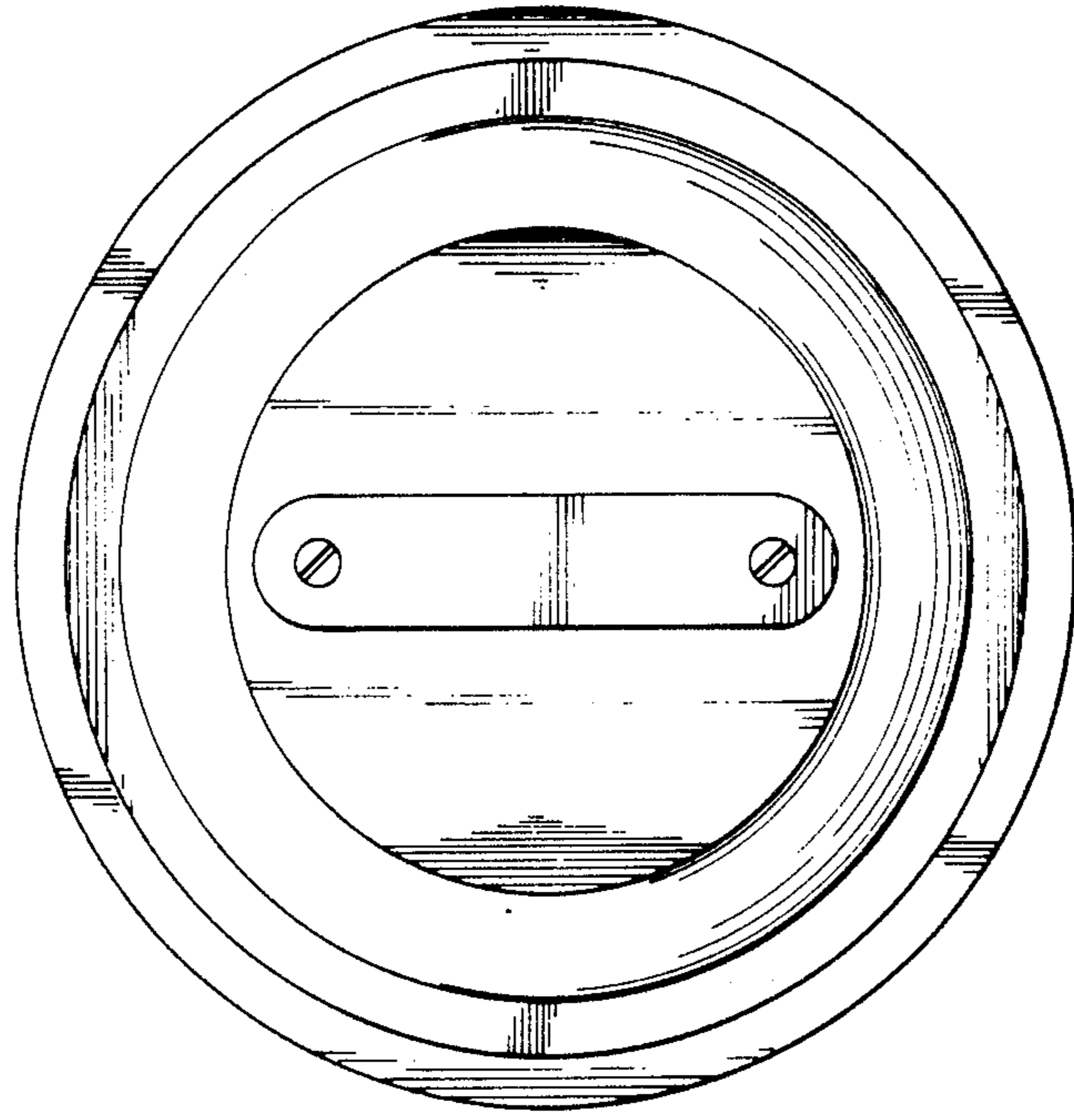


FIG. 2

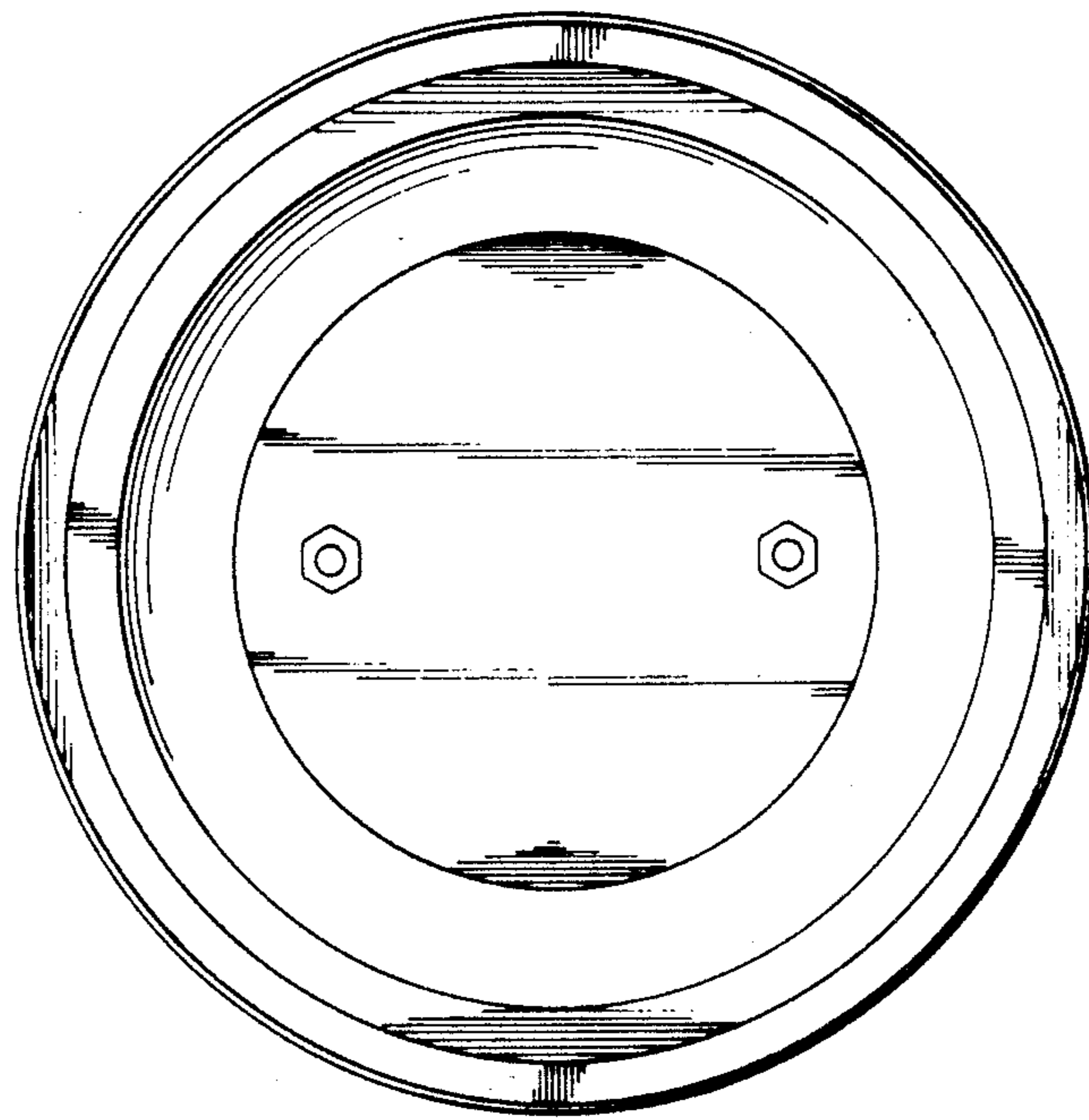


FIG. 3

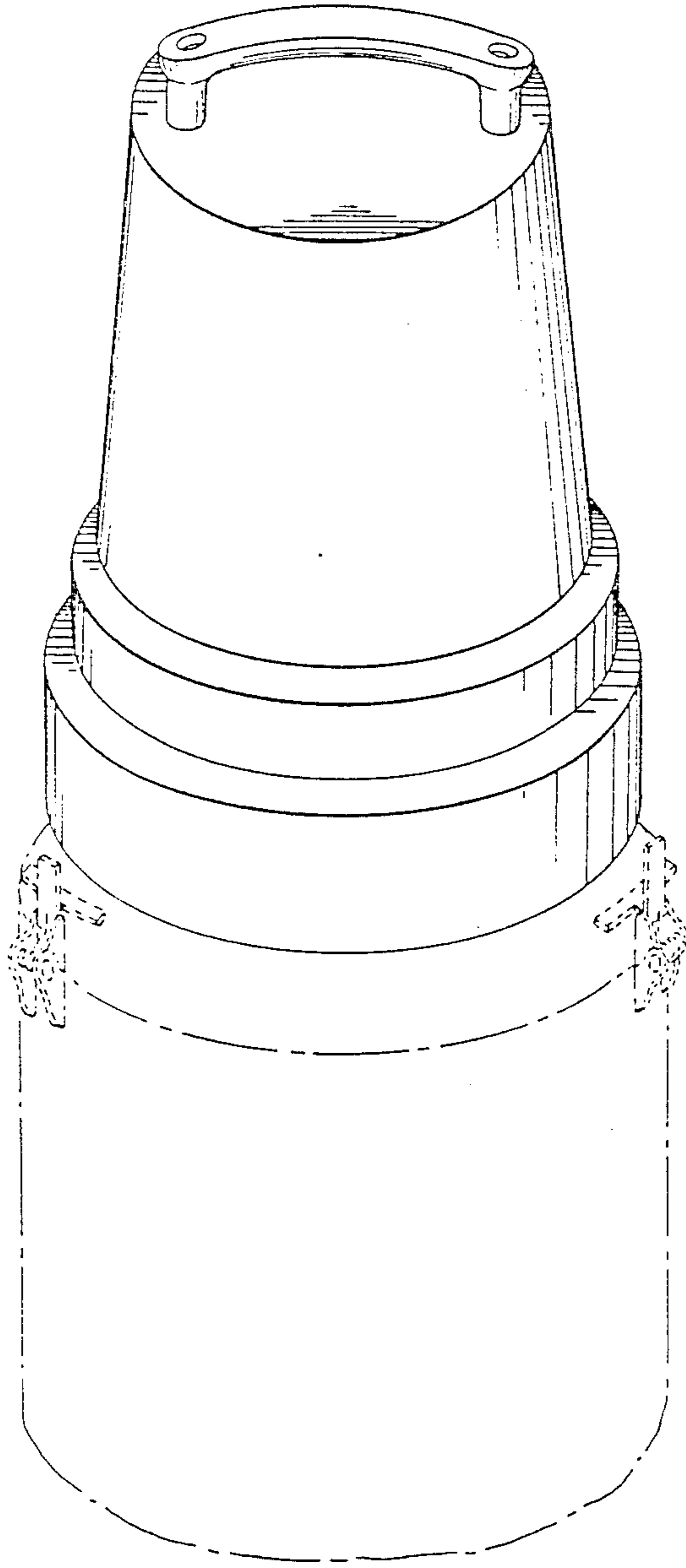


FIG. 4