

[54] CONNECTOR FOR INVASIVE CATHETER SYSTEM

[75] Inventor: Robert A. Hermann, San Diego, Calif.

[73] Assignee: Camino Laboratories, Inc., San Diego, Calif.

[**] Term: 14 Years

[21] Appl. No.: 500,034

[22] Filed: Jun. 1, 1983

[52] U.S. Cl. D24/53

[58] Field of Search D24/51, 52, 53, 54; D13/24; 604/283, 905; 339/60, 61

[56] References Cited

U.S. PATENT DOCUMENTS

4,022,205	5/1977	Tenczar	604/905 X
4,354,490	10/1982	Rogers	604/283 X
4,402,682	9/1983	Garver, Sr. et al.	604/905 X
4,405,312	9/1983	Gross et al.	604/283 X

Primary Examiner—A. Hugo Word

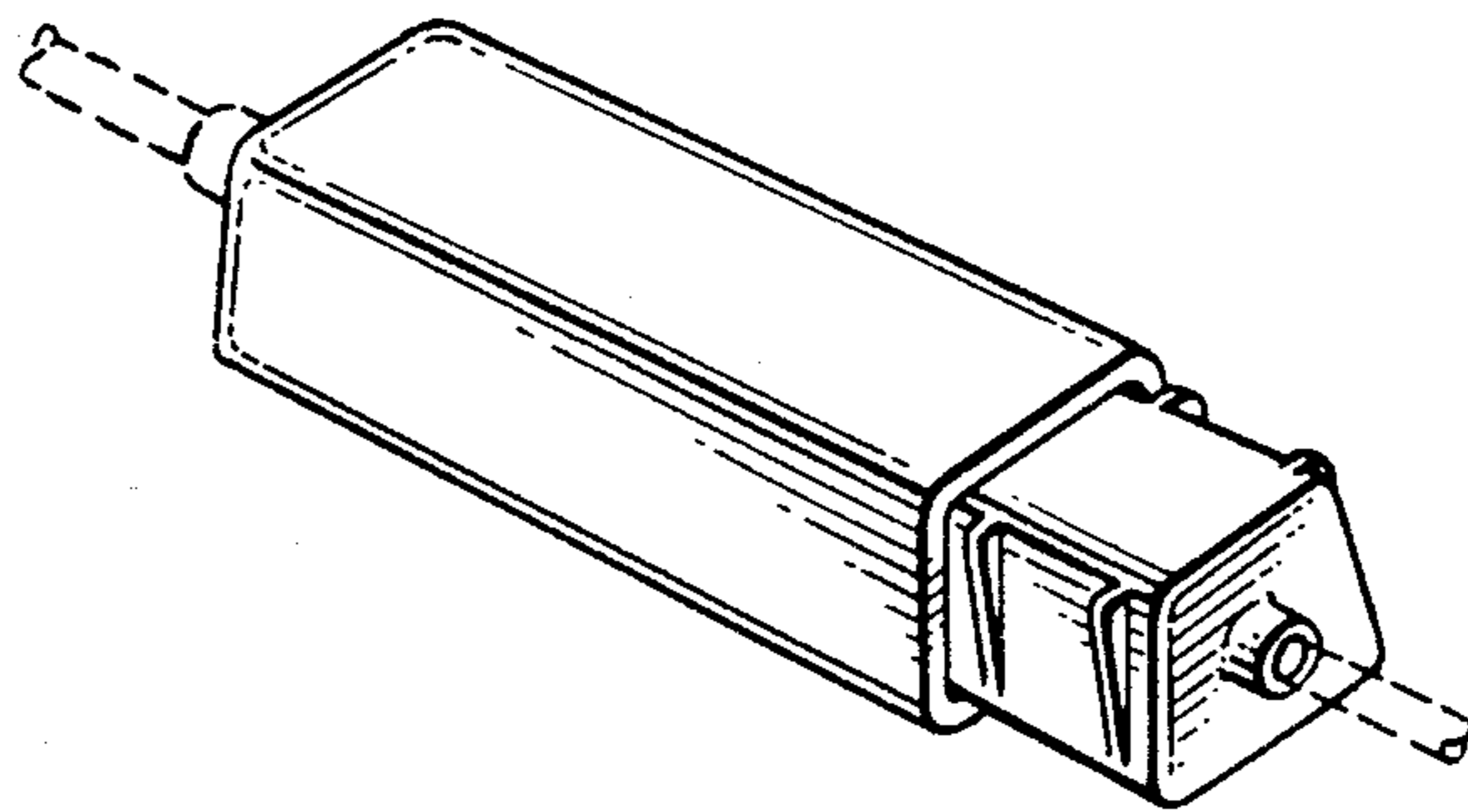
Assistant Examiner—Stella Reid
Attorney, Agent, or Firm—Fulwider Patton Rieber Lee & Utecht

[57] CLAIM

The ornamental design for a connector for invasive catheter system, substantially as shown and described.

DESCRIPTION

FIG. 1 is a front, top perspective view of a connector for invasive catheter system embodying my new design; FIG. 2 is a rear, bottom perspective view showing the side opposite that shown in FIG. 1; FIG. 3 is a side elevational view in the orientation shown in FIG. 1; FIG. 4 is a left end elevational view thereof; FIG. 5 is a right end elevational view thereof; FIG. 6 is a side elevational view thereof, showing the side opposite that shown in FIG. 1; FIG. 7 is a top plan view thereof; FIG. 8 is a bottom plan view thereof; FIG. 9 is a perspective view showing the connector assembly in two separate parts. The broken line showing of the cord is for illustrative purpose only and forms no part of the claimed design.



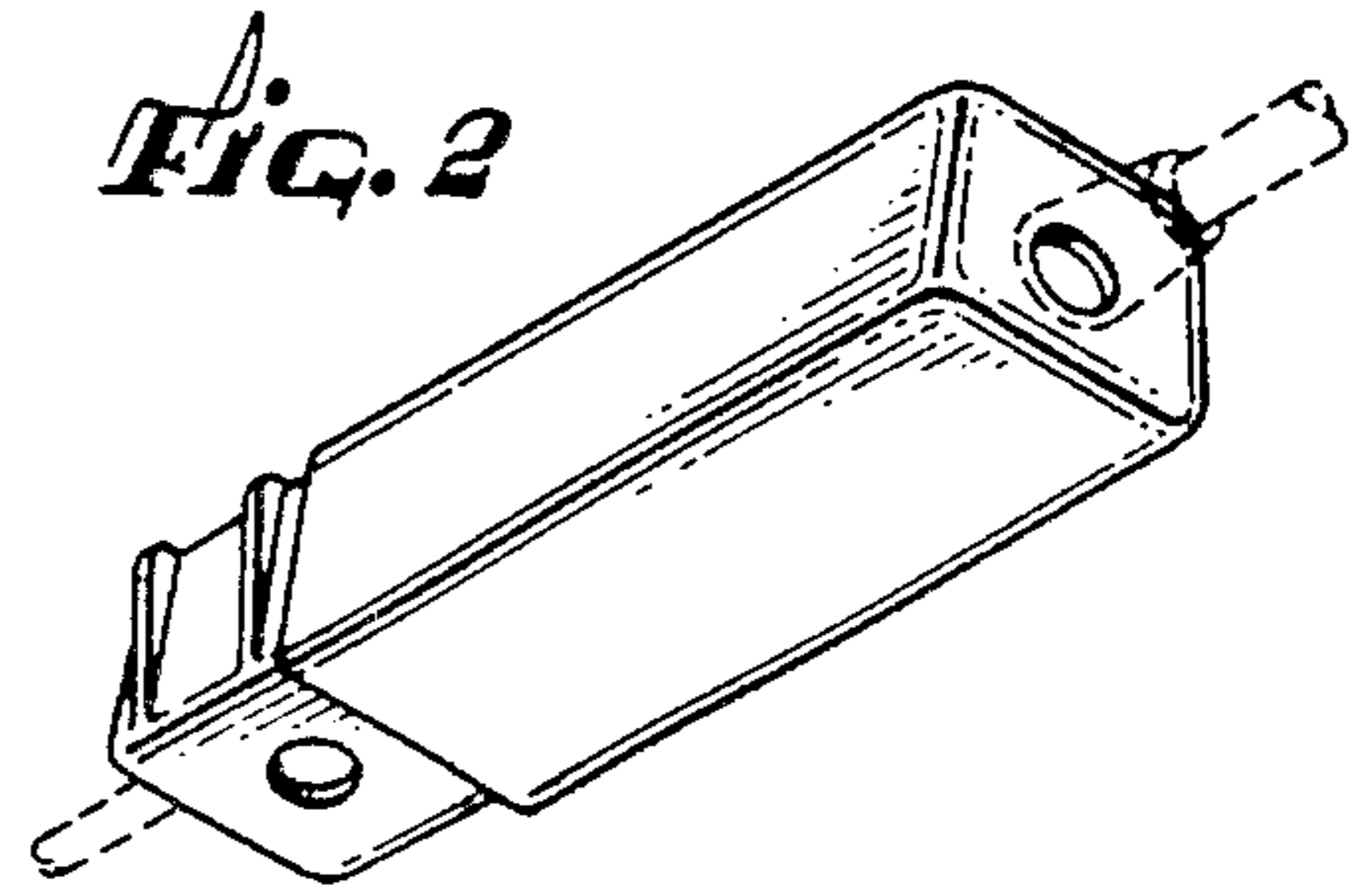
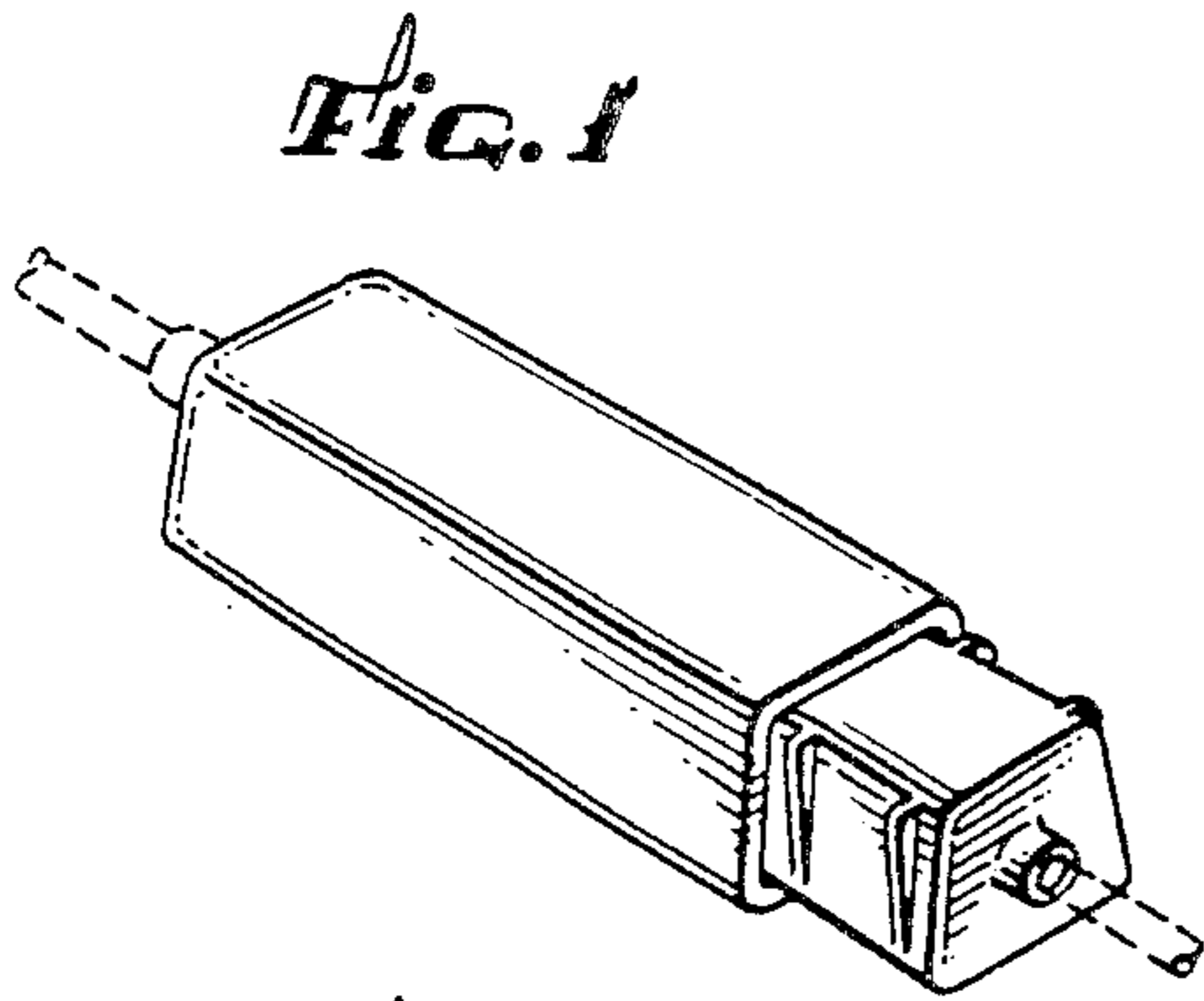


Fig. 4



Fig. 3

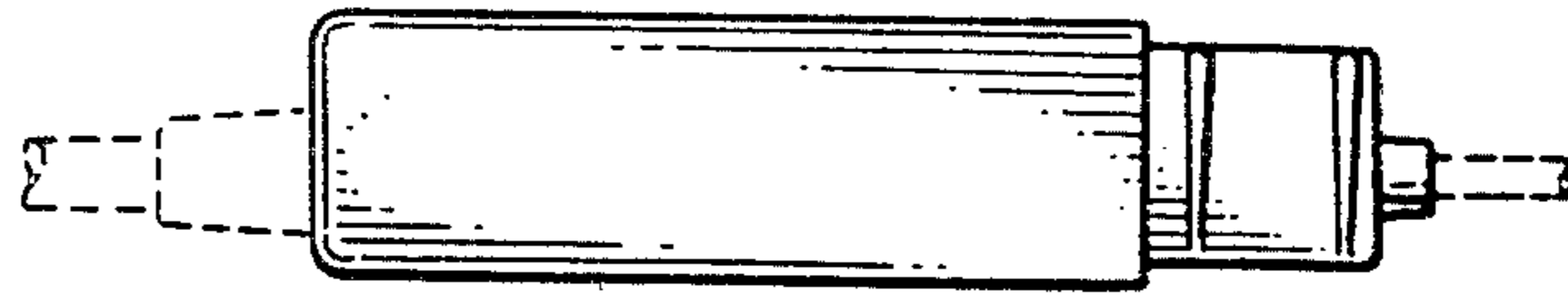


Fig. 5

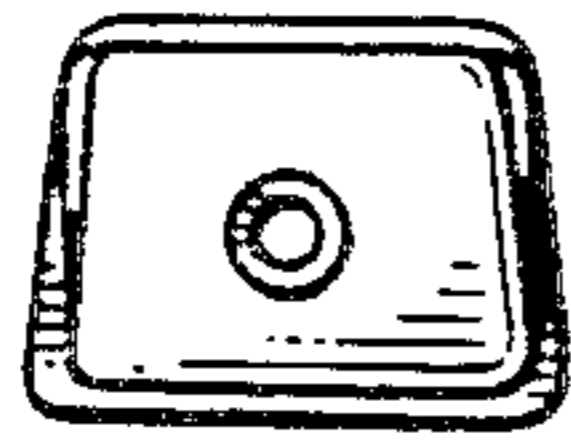


Fig. 6

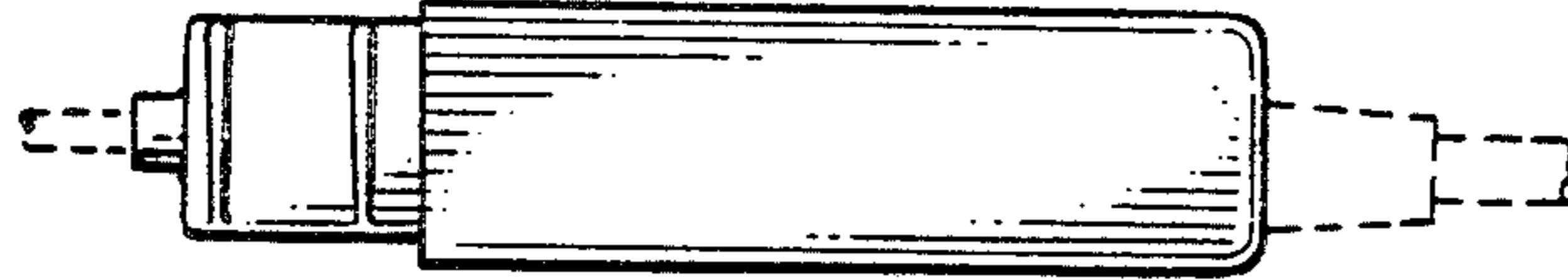


Fig. 7

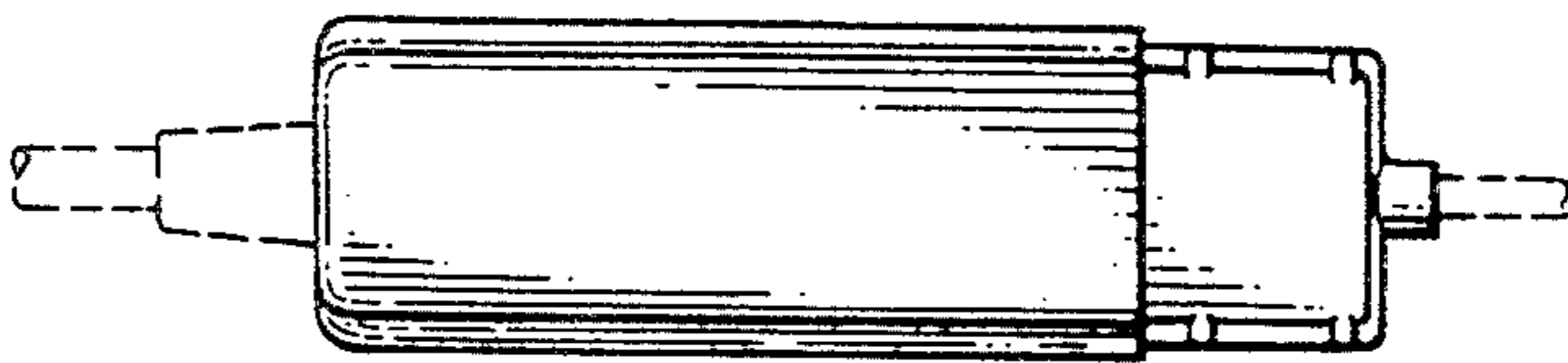


Fig. 8

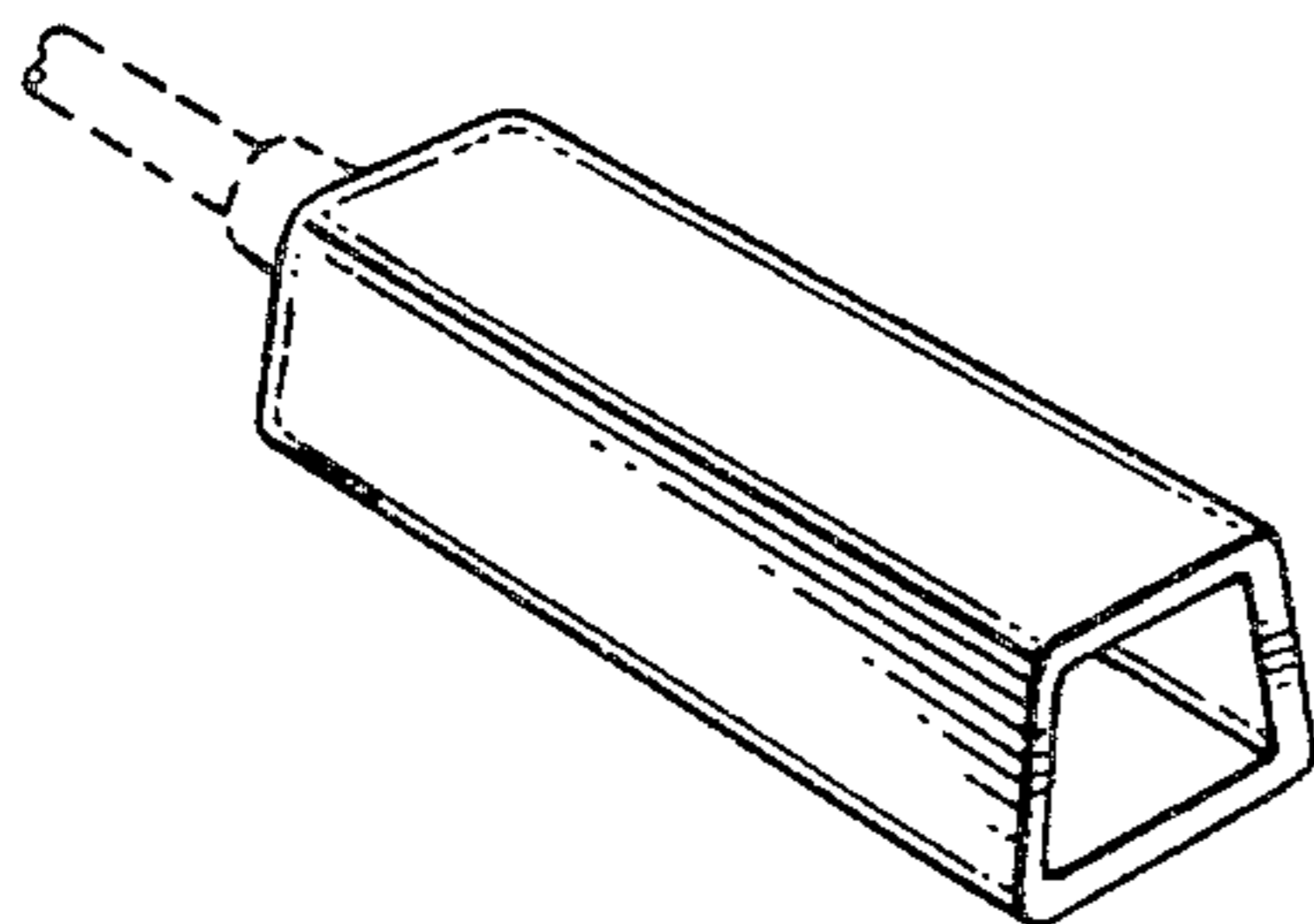
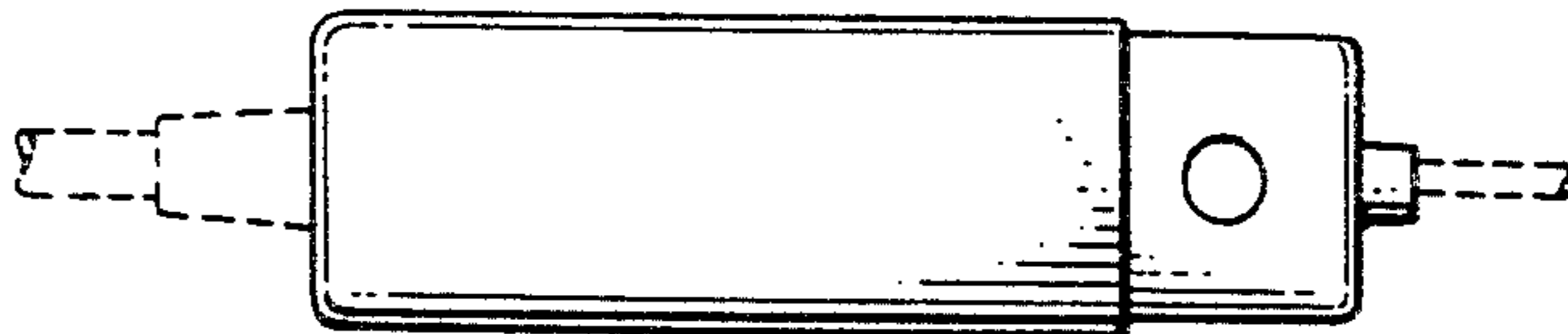


Fig. 9

