

[54] SINUS IRRIGATION TRAY

[75] Inventor: Alfred J. Fichera, Jacksonville, Fla.

[73] Assignee: Xomed, Jacksonville, Fla.

[**] Term: 14 Years

[21] Appl. No.: 505,679

[22] Filed: Jun. 20, 1983

[52] U.S. Cl. D24/31

[58] Field of Search D24/31, 34, 38; 433/77; 206/557, 368; 206/12

[56] References Cited

U.S. PATENT DOCUMENTS

D. 213,031	12/1968	Michel	D24/17
D. 262,995	2/1982	Gaba et al.	D24/31
D. 277,508	2/1985	Clair	D24/31
3,013,656	12/1961	Murphy, Jr.	D24/31

OTHER PUBLICATIONS

Sargent-Welch Catalogue, #128 (1979), p. 1337, item S-82342-S. Tray.

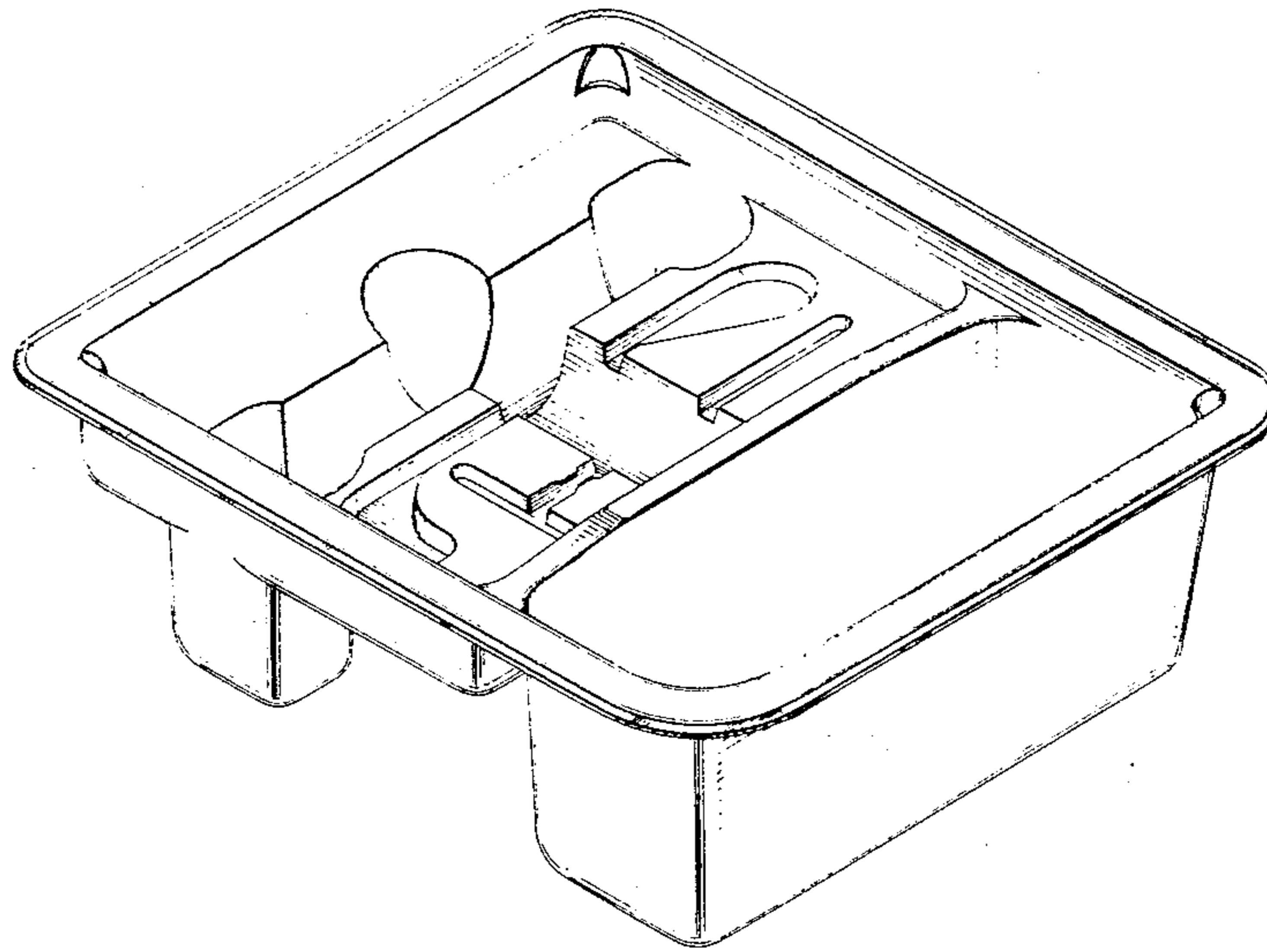
Primary Examiner—Wallace R. Burke
Assistant Examiner—Brian N. Vinson
Attorney, Agent, or Firm—Stuart E. Krieger; Richard H. Brink; Isaac Jarkovsky

[57] CLAIM

The ornamental design for a sinus irrigation tray, as shown and described.

DESCRIPTION

FIG. 1 is a perspective view taken from the upper right side of a sinus irrigation tray showing my new design; FIG. 2 is a top plan view thereof; FIG. 3 is a front elevational view thereof; FIG. 4 is a left side elevational view thereof; FIG. 5 is a right side elevational view thereof; FIG. 6 is a rear elevational view thereof; and FIG. 7 is a bottom elevational view thereof.



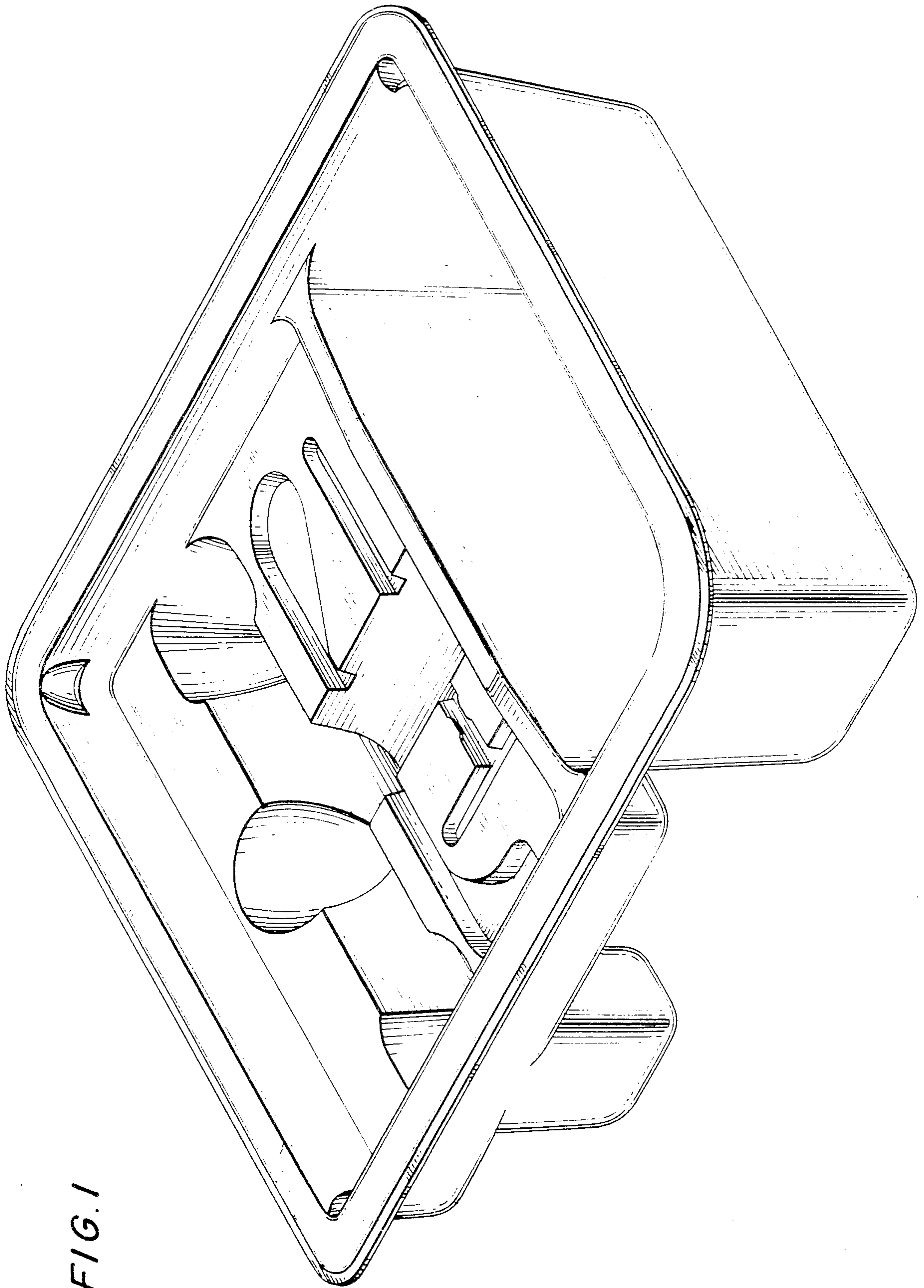


FIG. 1

FIG. 2

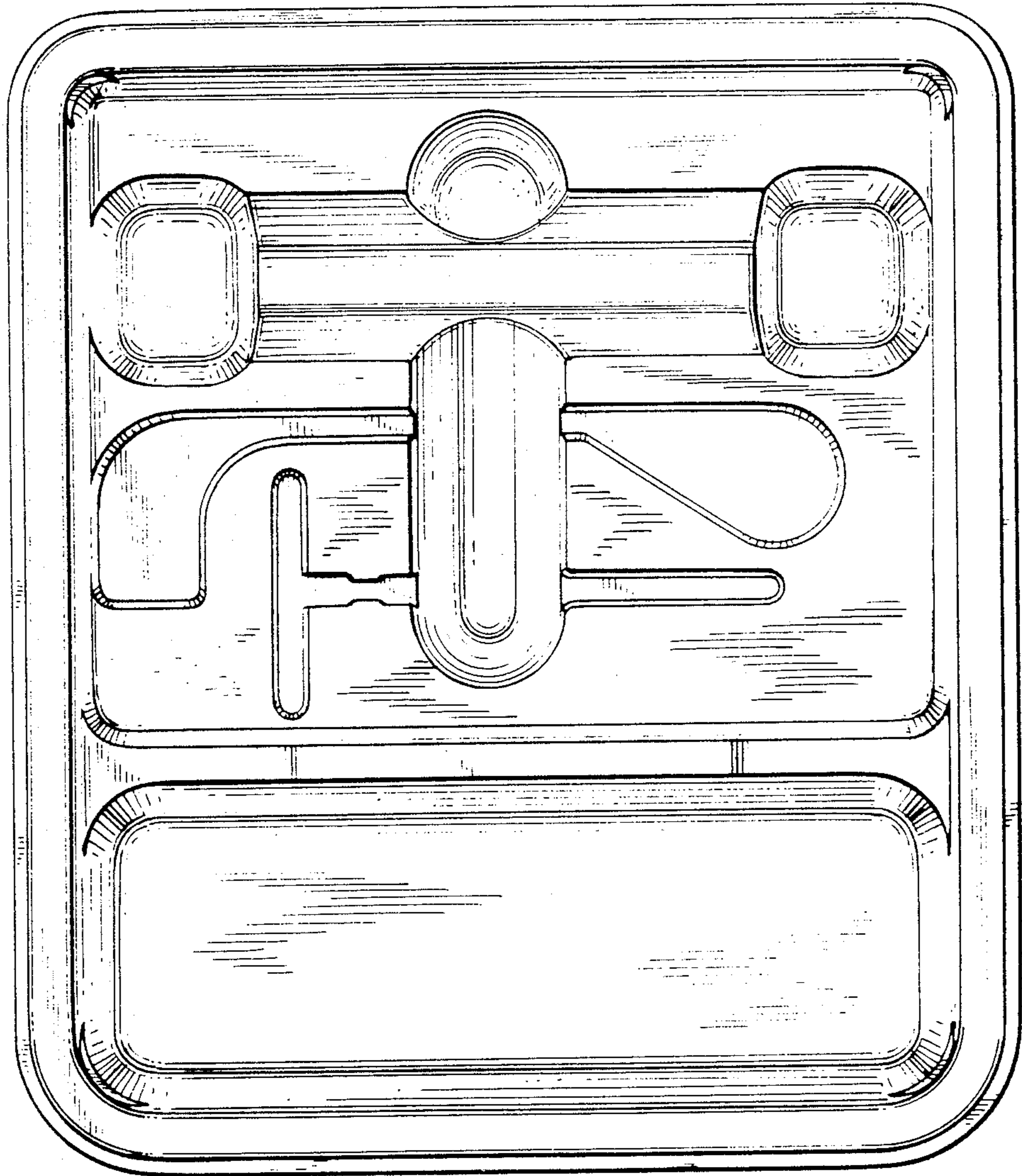


FIG. 3

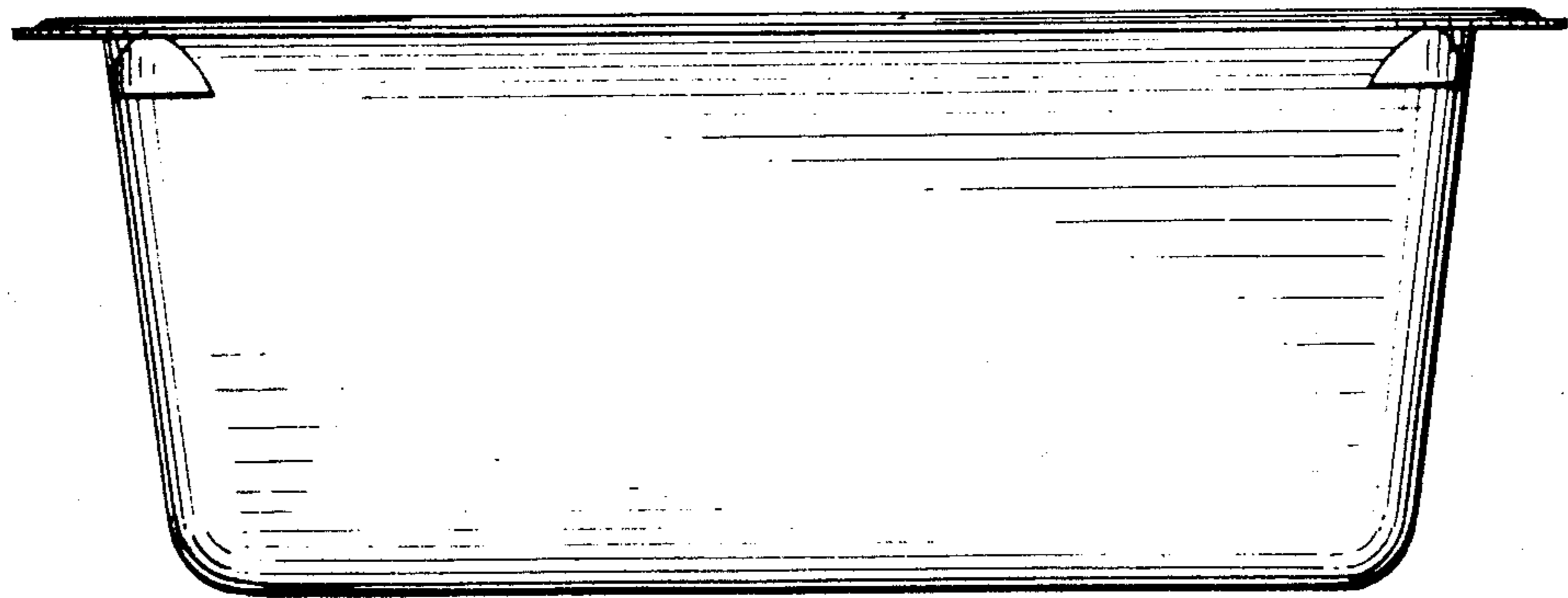


FIG. 4

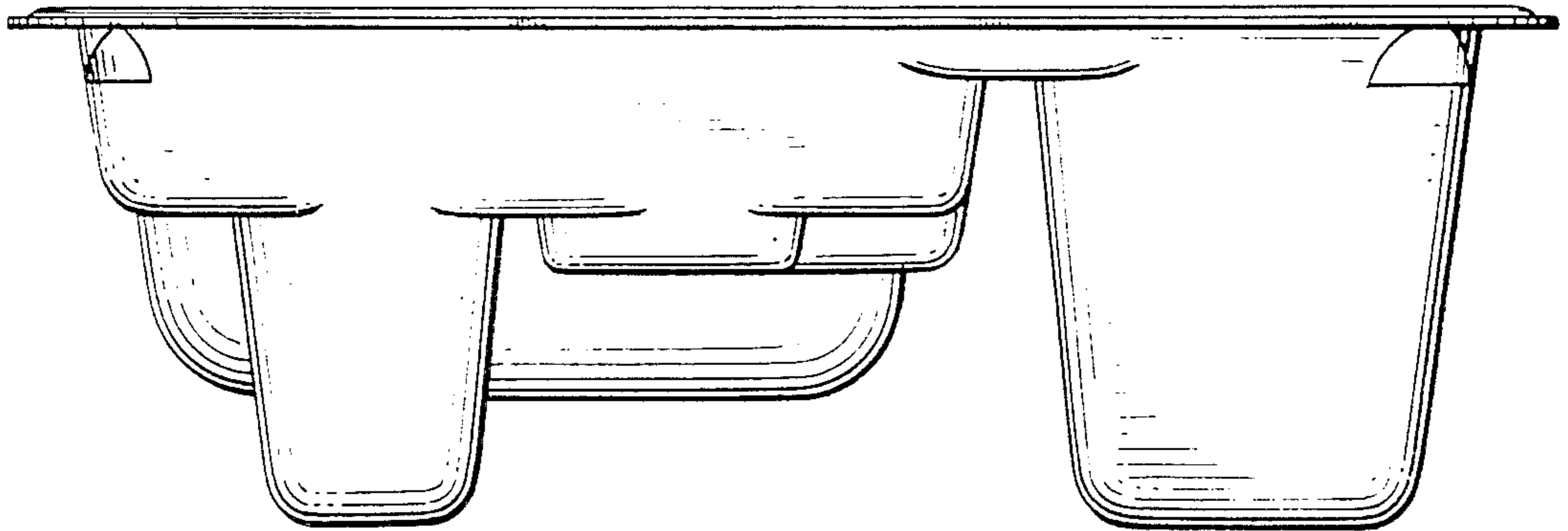


FIG. 5

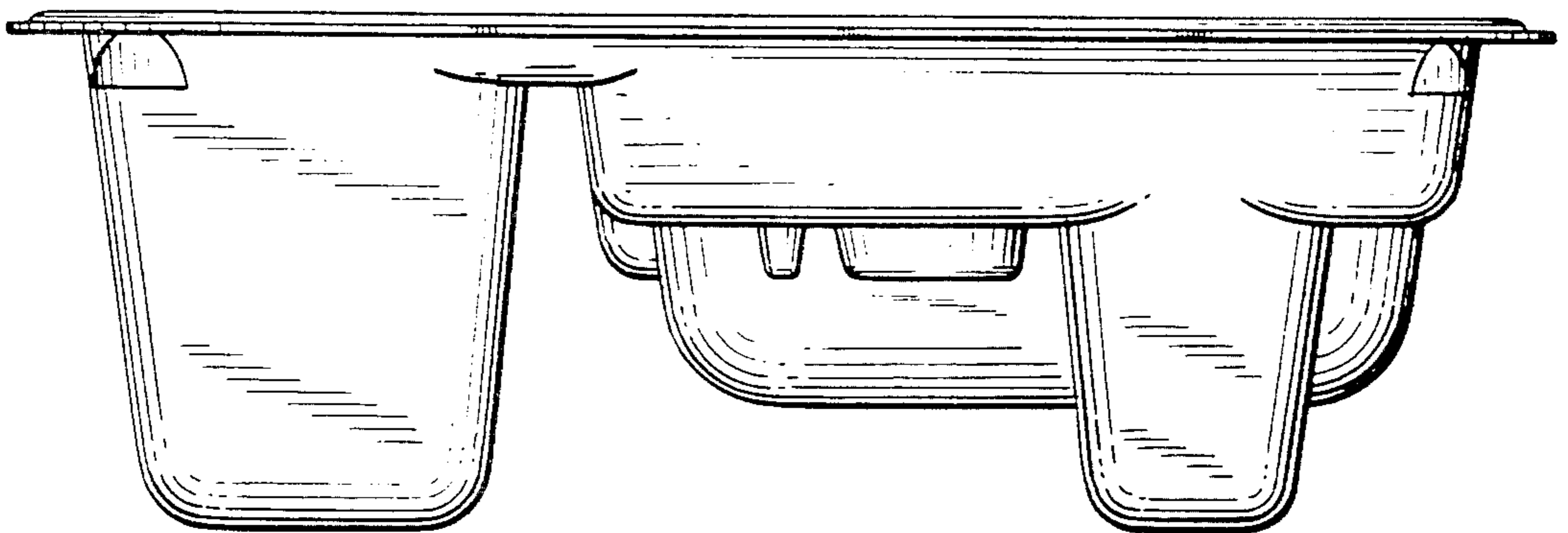


FIG. 6

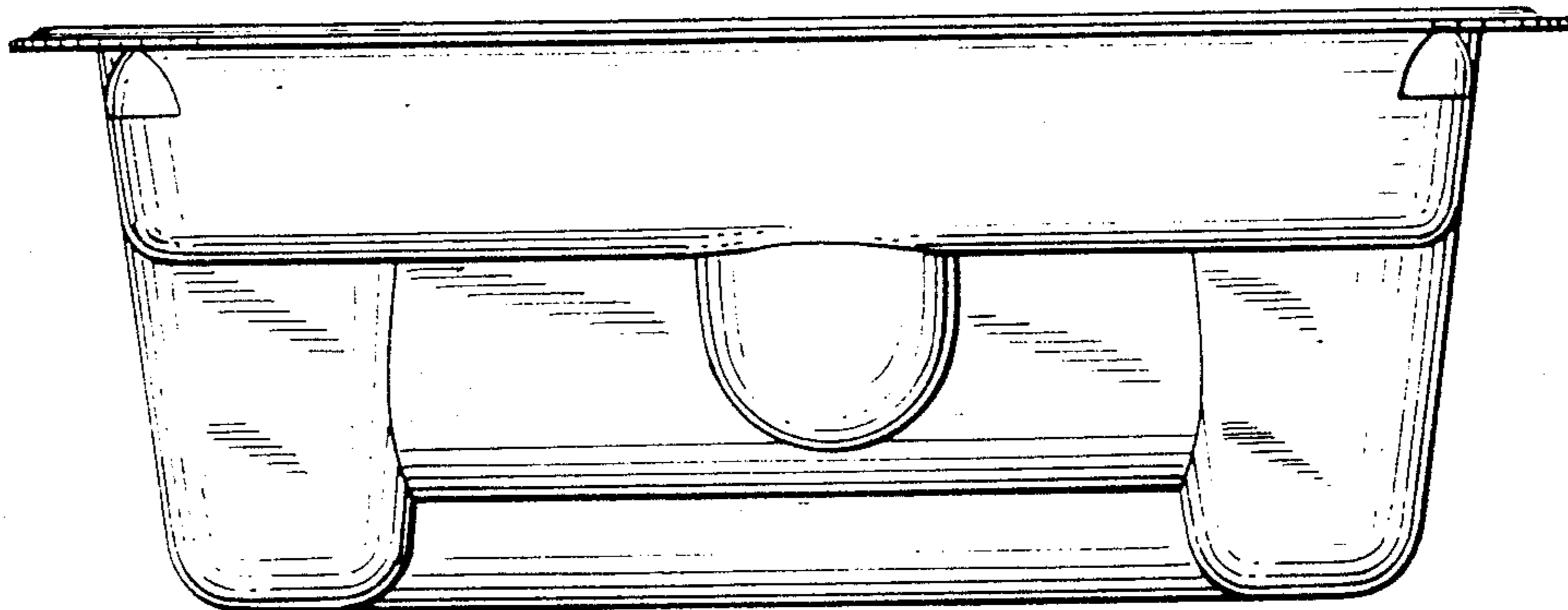


FIG. 7

