

[54] **TRAY FOR BITE REGISTRATION**

[75] **Inventor: Anders Eriksson, Skanninge, Sweden**

[73] **Assignee: Anders Eriksson HB, Skanninge, Sweden**

[\*\*] **Term: 14 Years**

[21] **Appl. No.: 508,682**

[22] **Filed: Jun. 28, 1983**

[52] **U.S. Cl. .... D24/10; D24/99**

[58] **Field of Search ..... D24/10, 99; 433/37-47, 433/68-71, 213, 214**

[56] **References Cited**

**U.S. PATENT DOCUMENTS**

D. 212,848 12/1968 Westlund et al. .... D24/10

D. 260,811 9/1981 Kitchenman ..... D24/10  
1,674,721 6/1928 Heath ..... 433/214

**FOREIGN PATENT DOCUMENTS**

2129818 12/1972 Fed. Rep. of Germany ..... 433/37

*Primary Examiner*—Catherine E. Kemper  
*Attorney, Agent, or Firm*—Pollock, Vande Sande & Priddy

[57] **CLAIM**

The ornamental design for tray for bite registration, as shown and described.

**DESCRIPTION**

FIG. 1 is a top perspective view of a tray for bite registration, showing my new design;  
FIG. 2 is a bottom perspective view thereof.

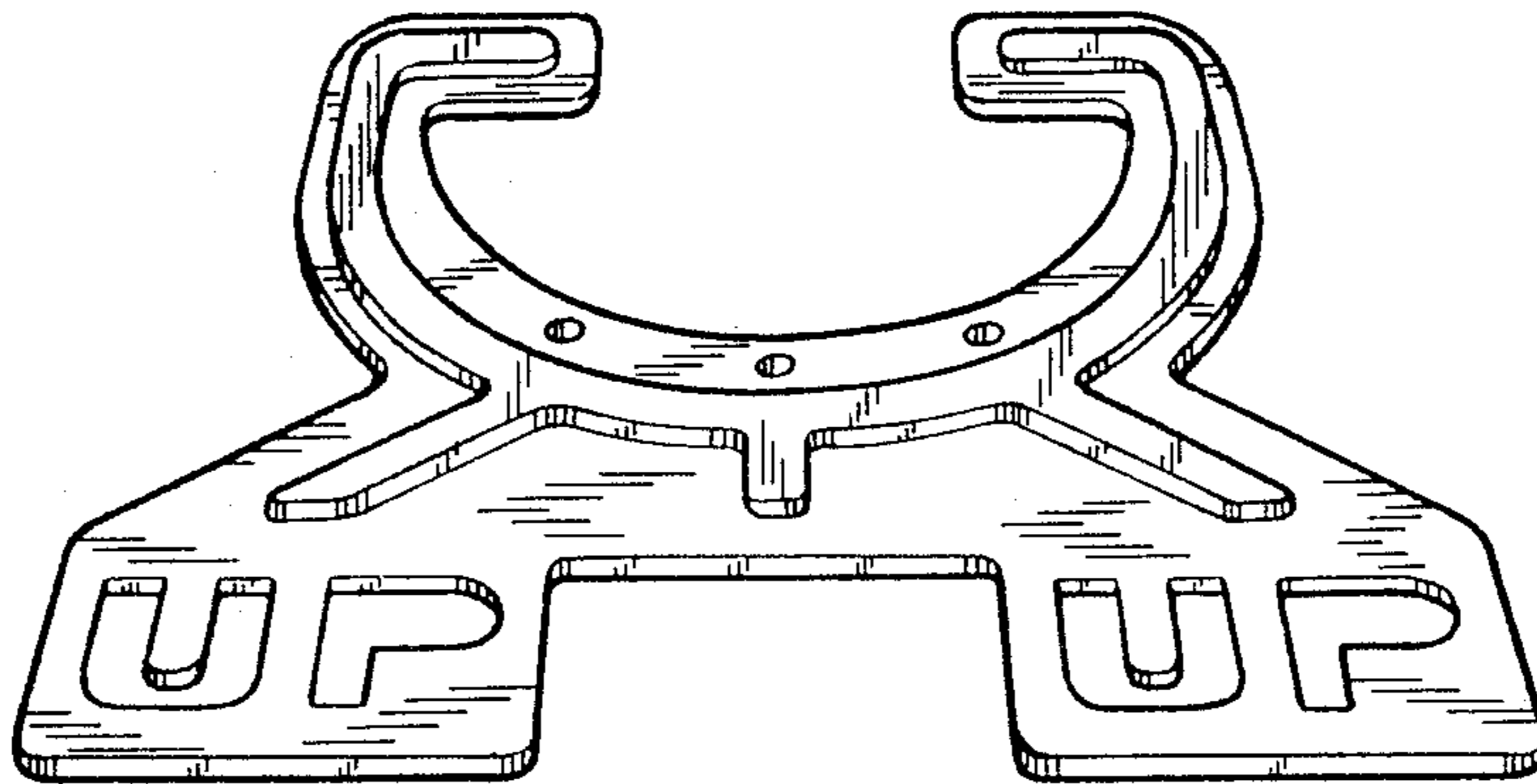


FIG. 1

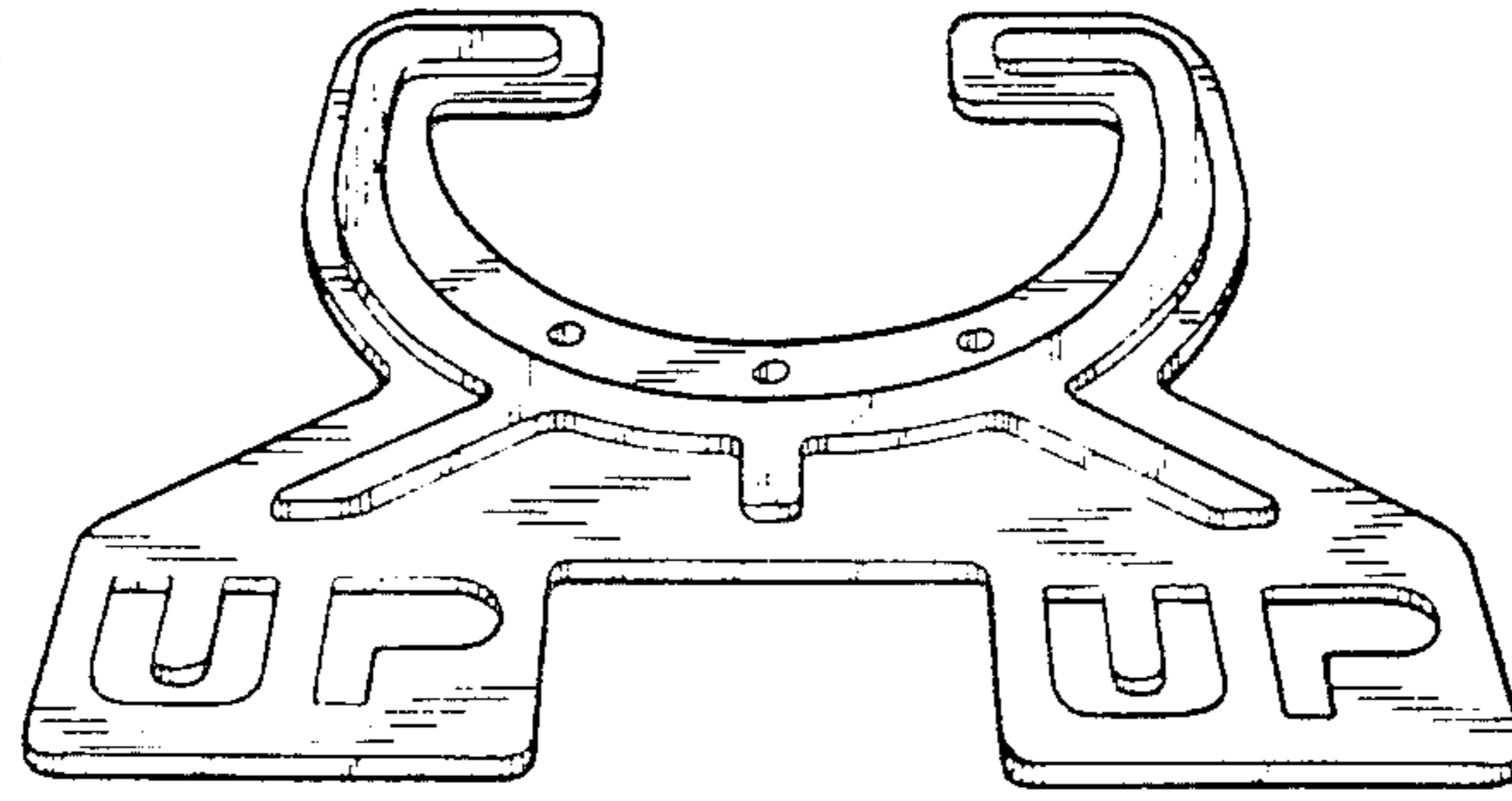


FIG. 2

