

[54] PISTOL HOLSTER

[76] Inventor: Larry E. Pitts, P.O. Box 75065, Birmingham, Ala. 35253

[**] Term: 14 Years

[21] Appl. No.: 487,006

[22] Filed: Apr. 21, 1983

[52] U.S. Cl. D22/13

[58] Field of Search D22/13, 14; 224/192, 224/252, 911, 916, 222; D3/38; D2/27, 400

[56] References Cited

U.S. PATENT DOCUMENTS

D. 200,807	4/1965	Mason	D3/38
D. 248,866	8/1978	Gonzales	D22/13
2,408,678	10/1946	Paley	224/911 X
4,148,422	4/1979	Habler	224/252 X
4,356,943	11/1982	Berman	224/222

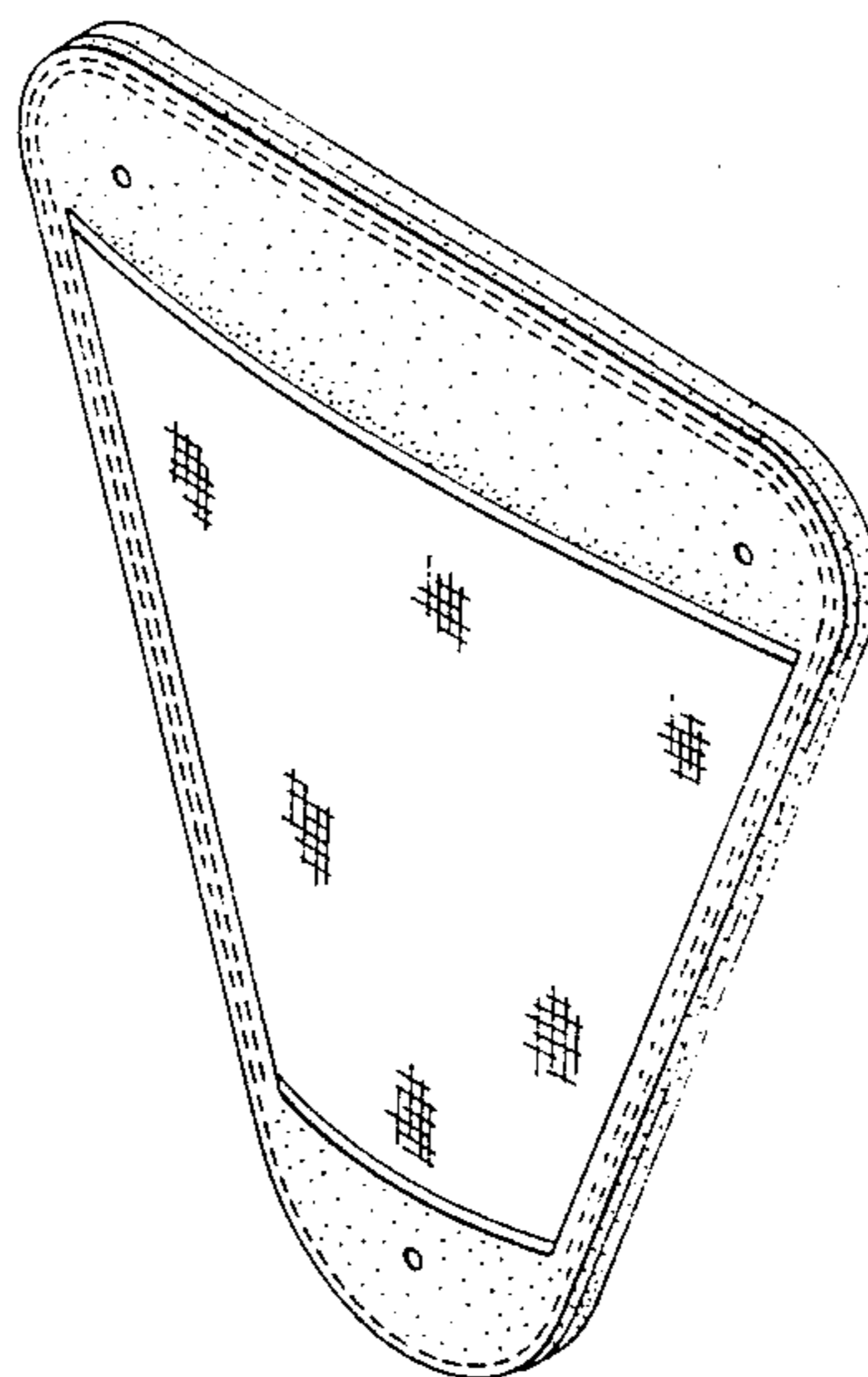
Primary Examiner—A. Hugo Word
Attorney, Agent, or Firm—Woodford R. Thompson, Jr.

[57] CLAIM

The ornamental design for a pistol holster, as shown.

DESCRIPTION

FIG. 1 is a perspective view of a pistol holster showing my new design;
 FIG. 2 is a front elevational view;
 FIG. 3 is a rear elevational view thereof;
 FIG. 4 is a top plan view thereof, looking from the top of FIG. 2;
 FIG. 5 is a bottom view thereof, looking from the bottom of FIG. 2;
 FIG. 6 is an elevational view looking from the left side of FIG. 2; and,
 FIG. 7 is an elevational view looking from the right side of FIG. 2.



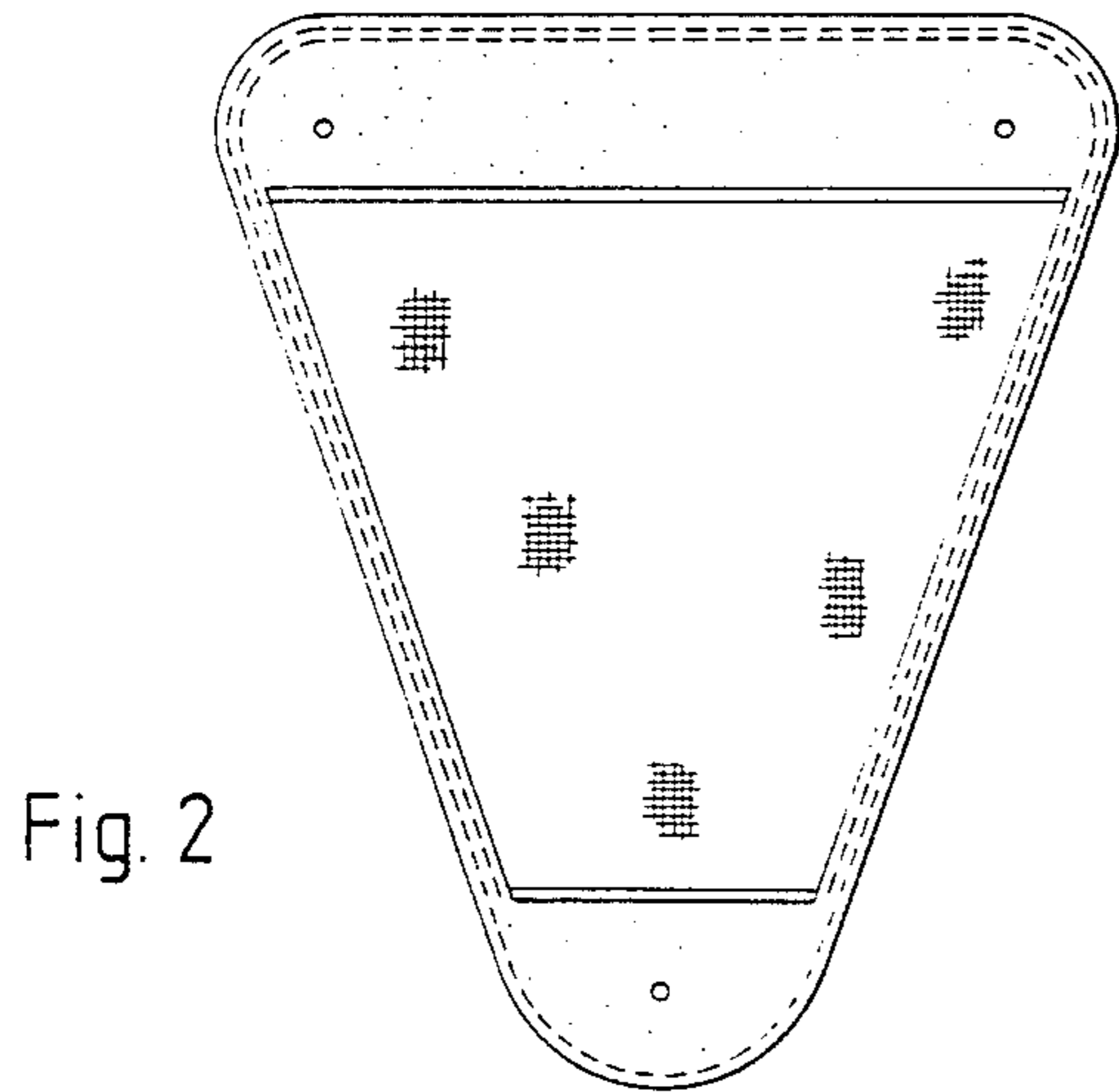


Fig. 2

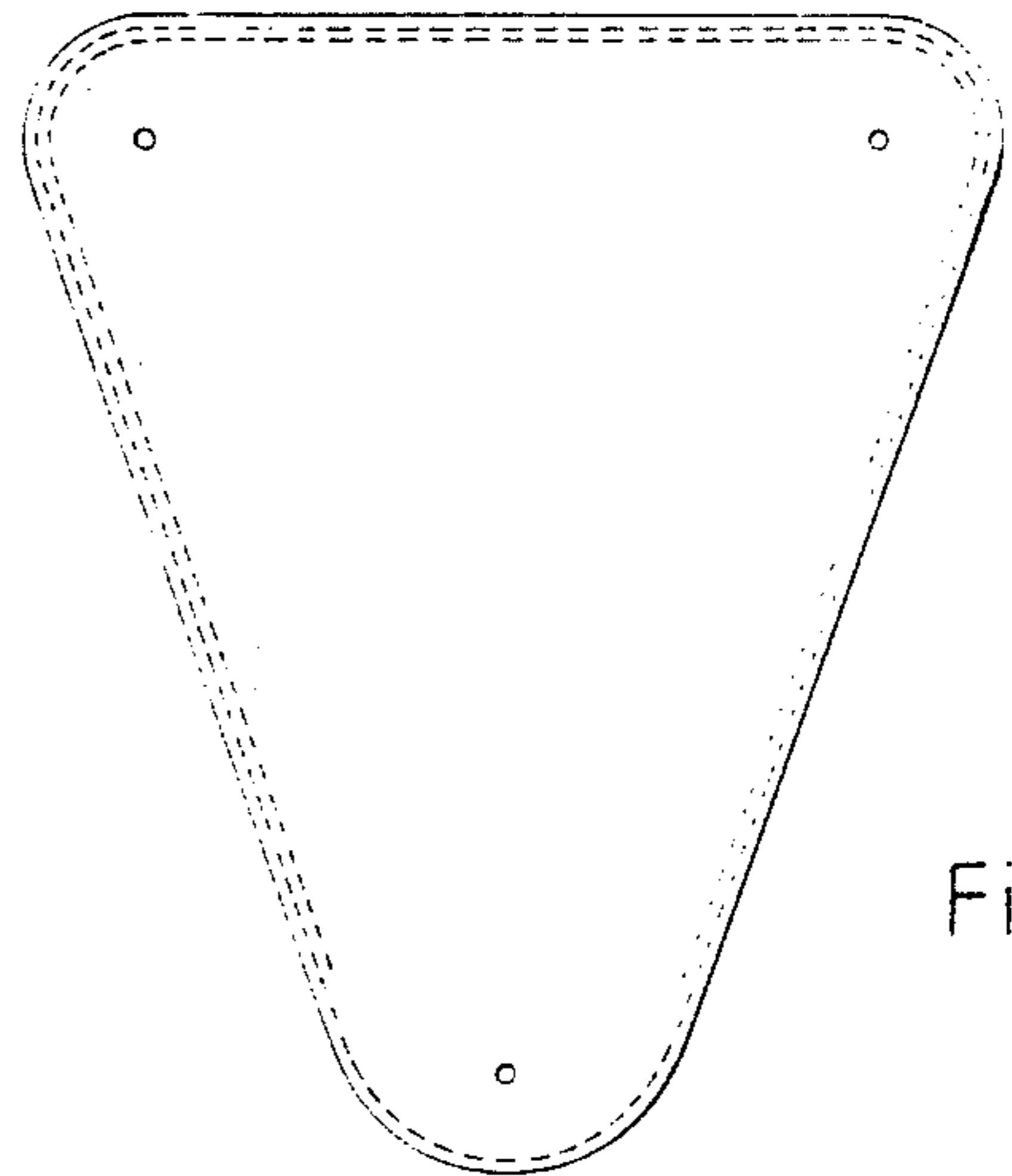


Fig. 3

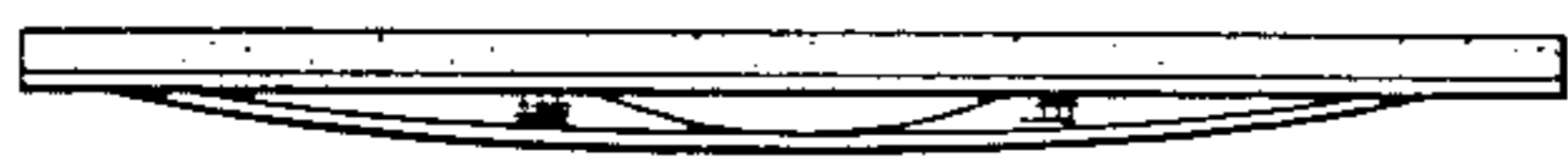


Fig. 4

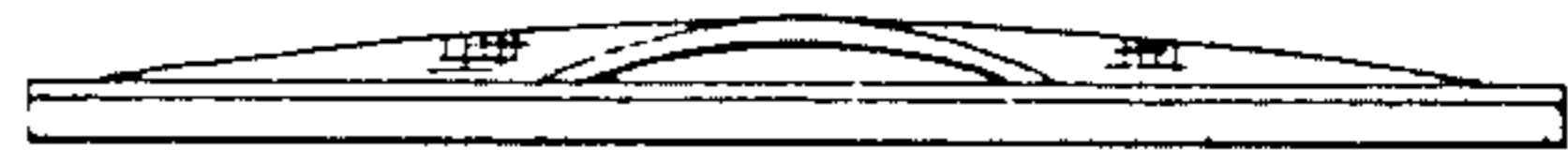


Fig. 5

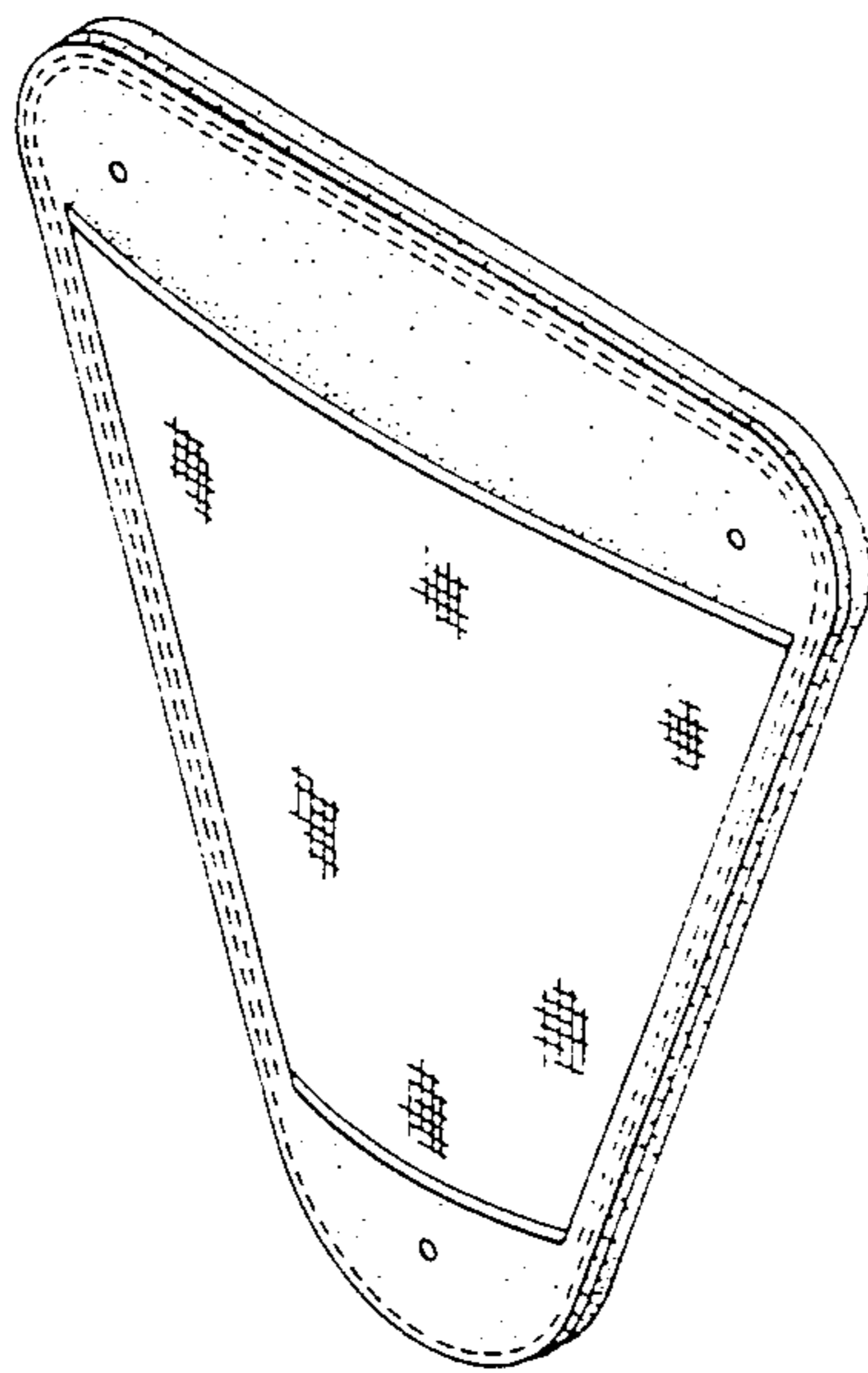


Fig. 1



Fig. 6



Fig. 7