

[54] **SHORT RIFLE**

[76] Inventors: **Darrell E. Holland; William P. Holland**, both of P.O. Box 348, Powers, Oreg. 97466

[**] Term: **14 Years**

[21] Appl. No.: **535,768**

[22] Filed: **Sep. 26, 1983**

[52] U.S. Cl. **D22/6**

[58] Field of Search **D22/1, 6; 89/14.1, 128, 89/125, 194, 195, 33.01, 33.1**

[56] **References Cited**

U.S. PATENT DOCUMENTS

- 2,816,484 12/1957 Grages 89/14.1 X
- 3,425,317 2/1969 Menneking 89/33.01
- 3,756,119 9/1973 Curtis et al. 89/33.01

OTHER PUBLICATIONS

Jane's Infantry Weapons, 1978, p. 93, U.K. Sub-Machine Gun, 9 mm. Sten MKV, top of page.

*Primary Examiner—A. Hugo Word
Attorney, Agent, or Firm—Singer & Singer*

[57] **CLAIM**

The ornamental design for a short rifle, substantially as shown and described.

DESCRIPTION

FIG. 1 is a perspective view of a short rifle illustrating our new design;
 FIG. 2 is a front elevational view thereof;
 FIG. 3 is a rear elevation view thereof;
 FIG. 4 is a right side elevational view thereof;
 FIG. 5 is a left side elevational view thereof;
 FIG. 6 is a top plan view thereof;
 FIG. 7 is a bottom plan view thereof;
 FIG. 8 is a perspective view of a second embodiment of a long rifle illustrating our new design;
 FIG. 9 is a front elevational view thereof;
 FIG. 10 is a rear elevational view thereof;
 FIG. 11 is a right side elevational view thereof;
 FIG. 12 is a left side elevational view thereof;
 FIG. 13 is a top plan view thereof; and
 FIG. 14 is a bottom plan view thereof.

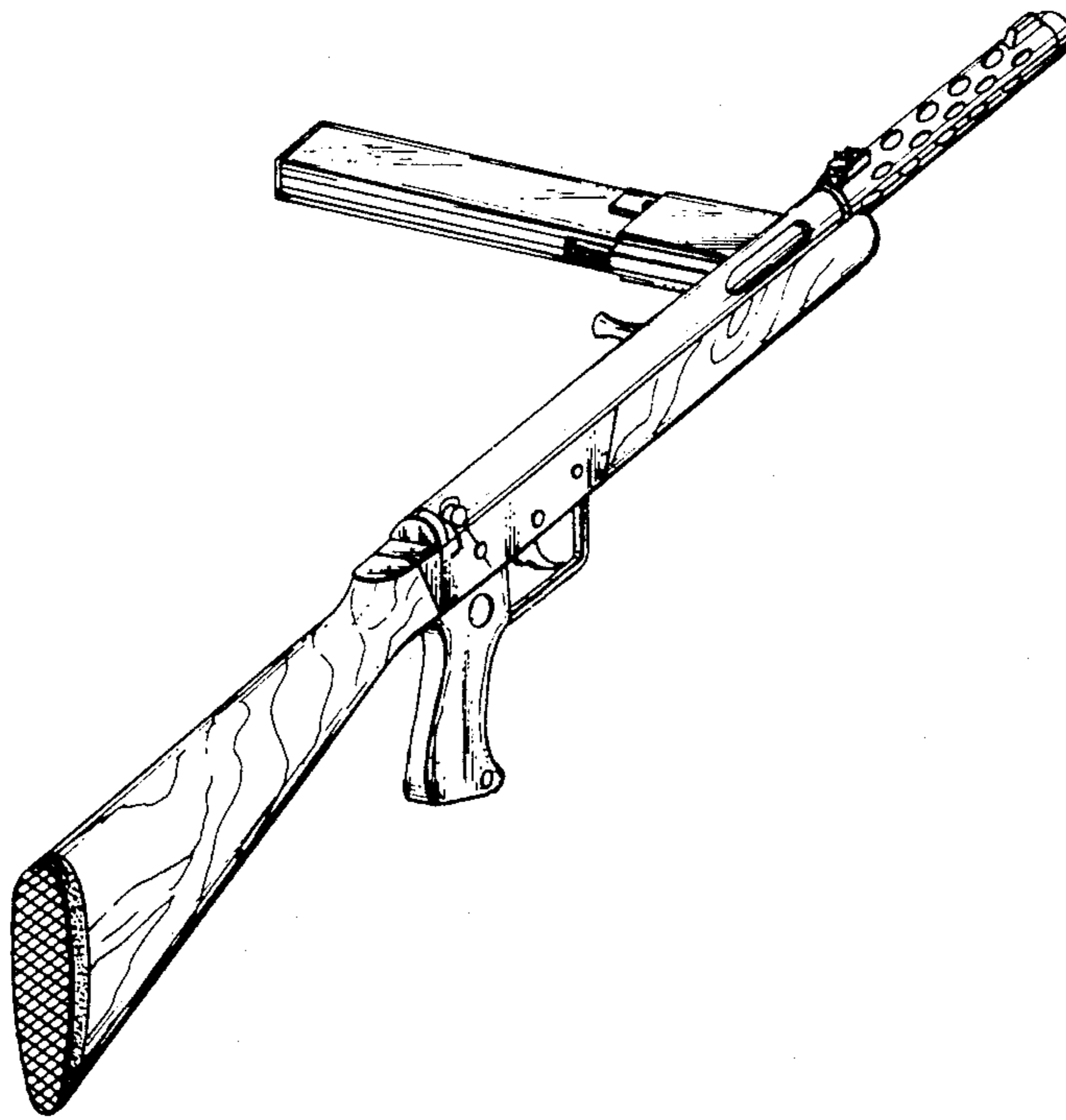


Fig. 2.

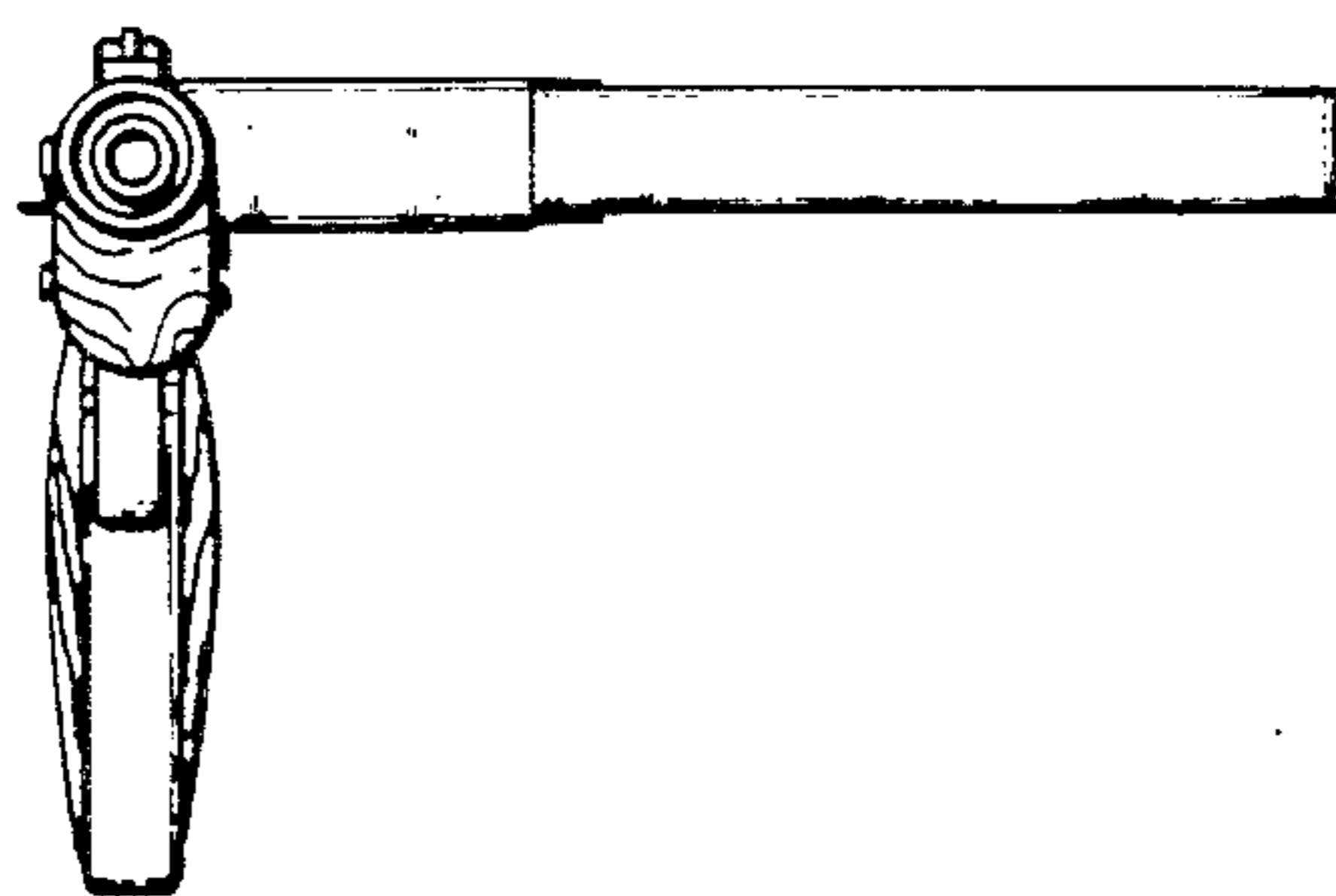


Fig. 3.

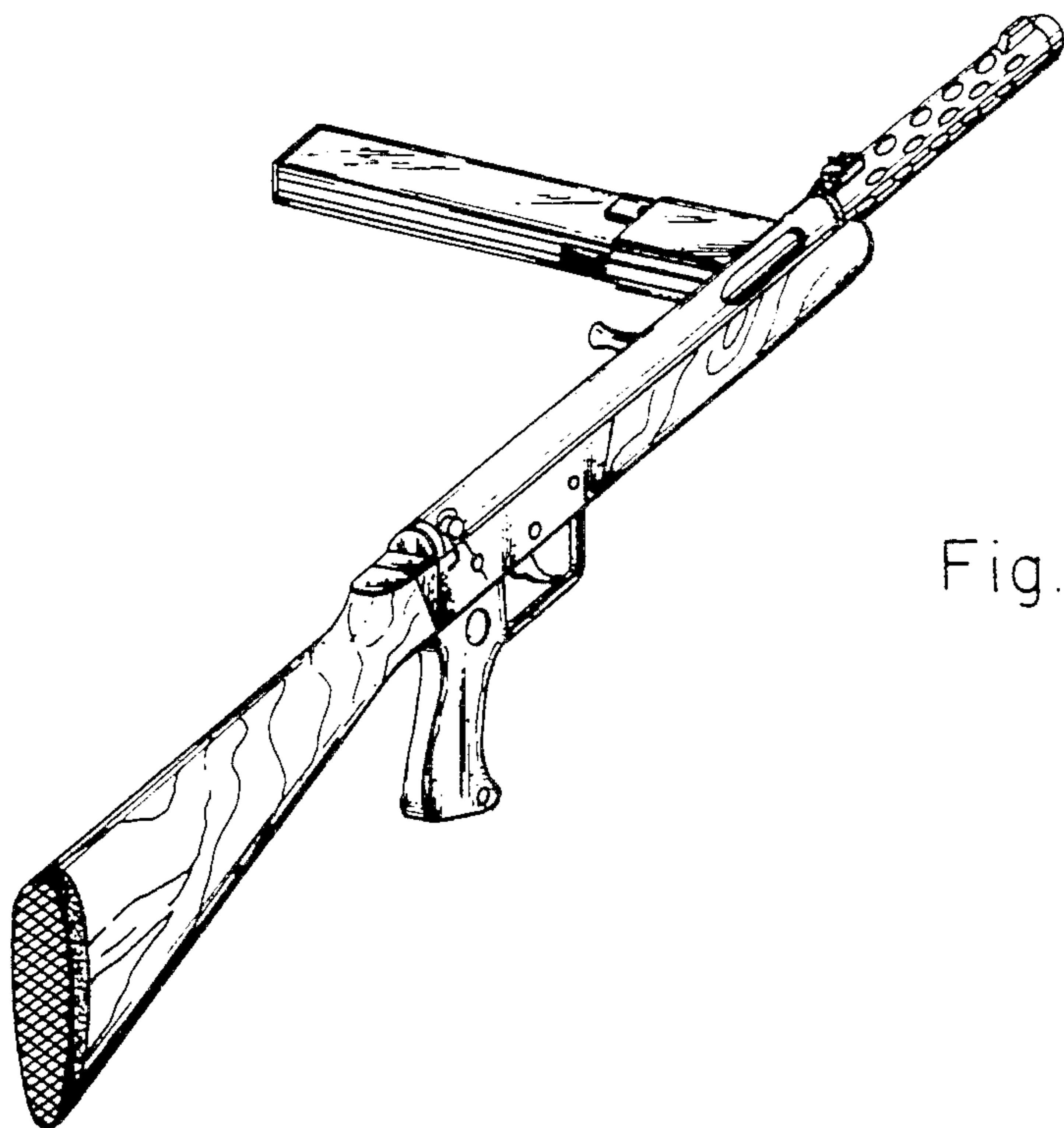
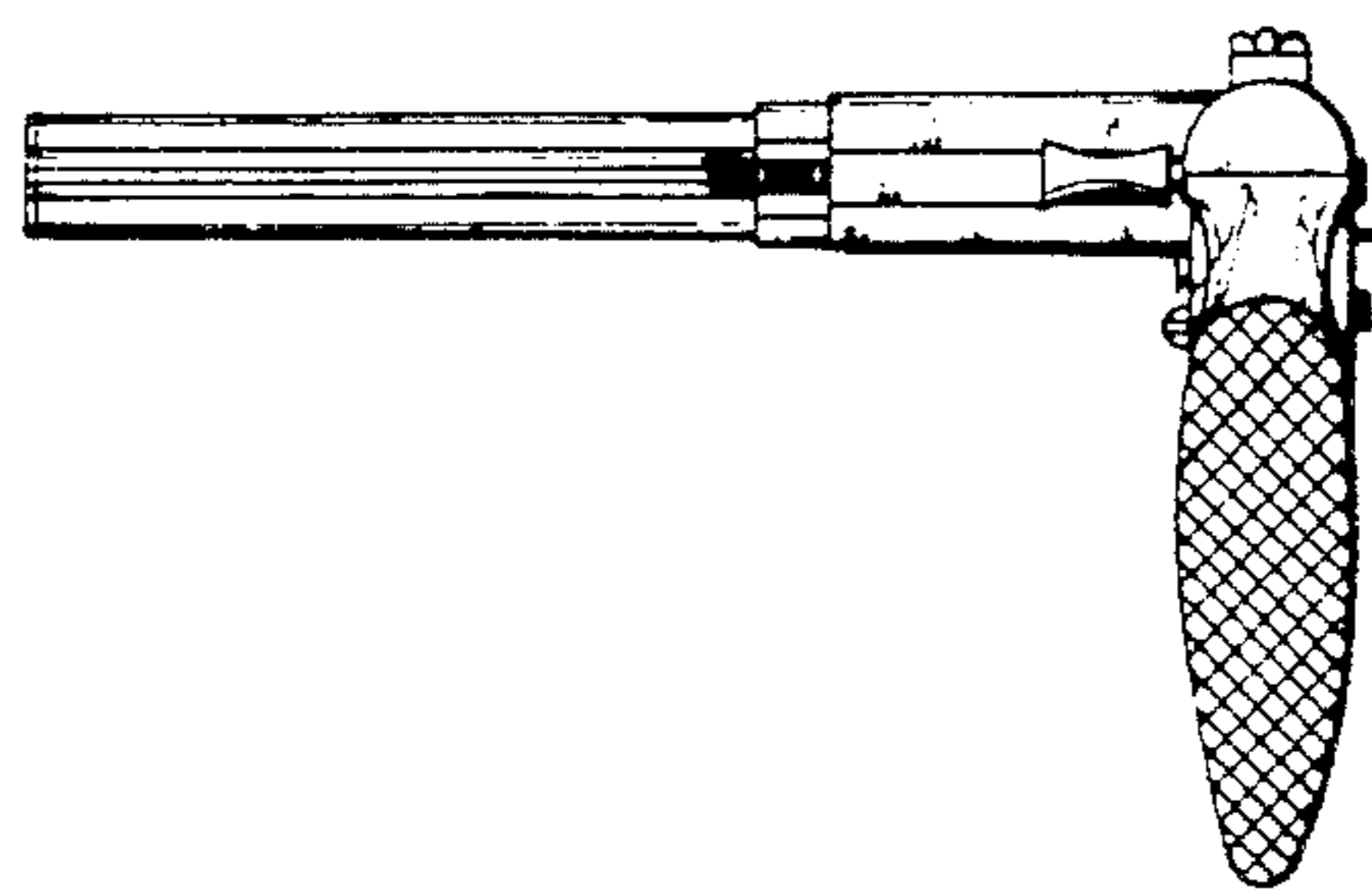


Fig. 1.

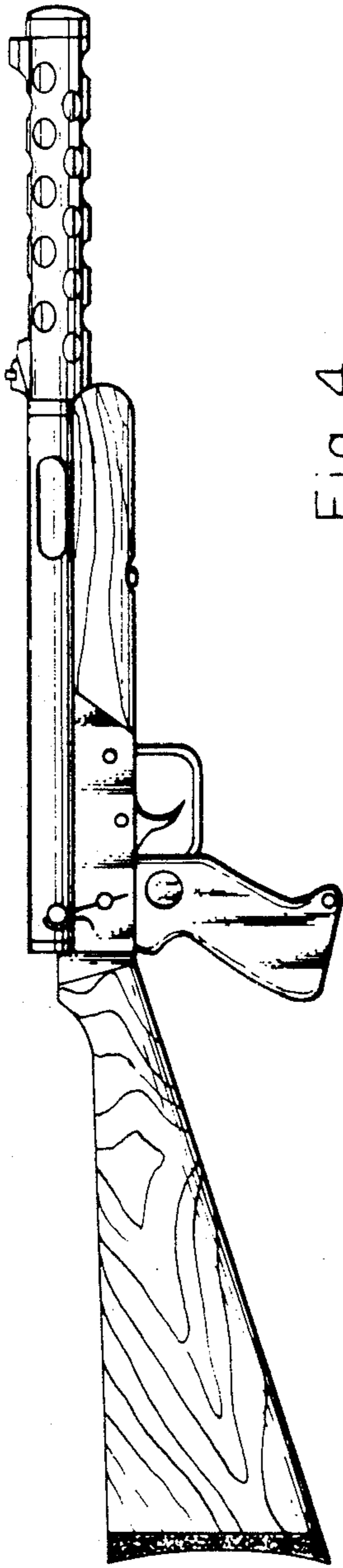


Fig. 4.

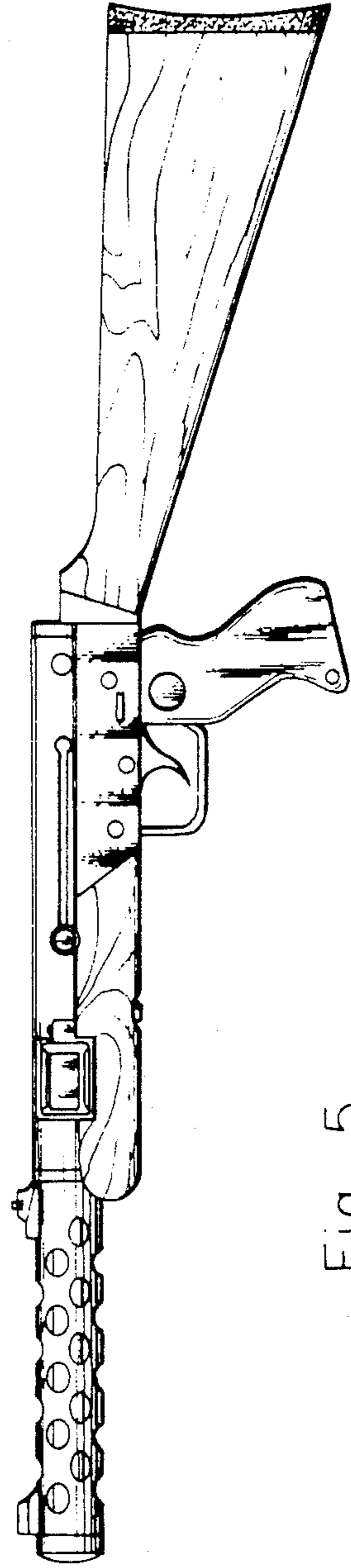


Fig. 5.

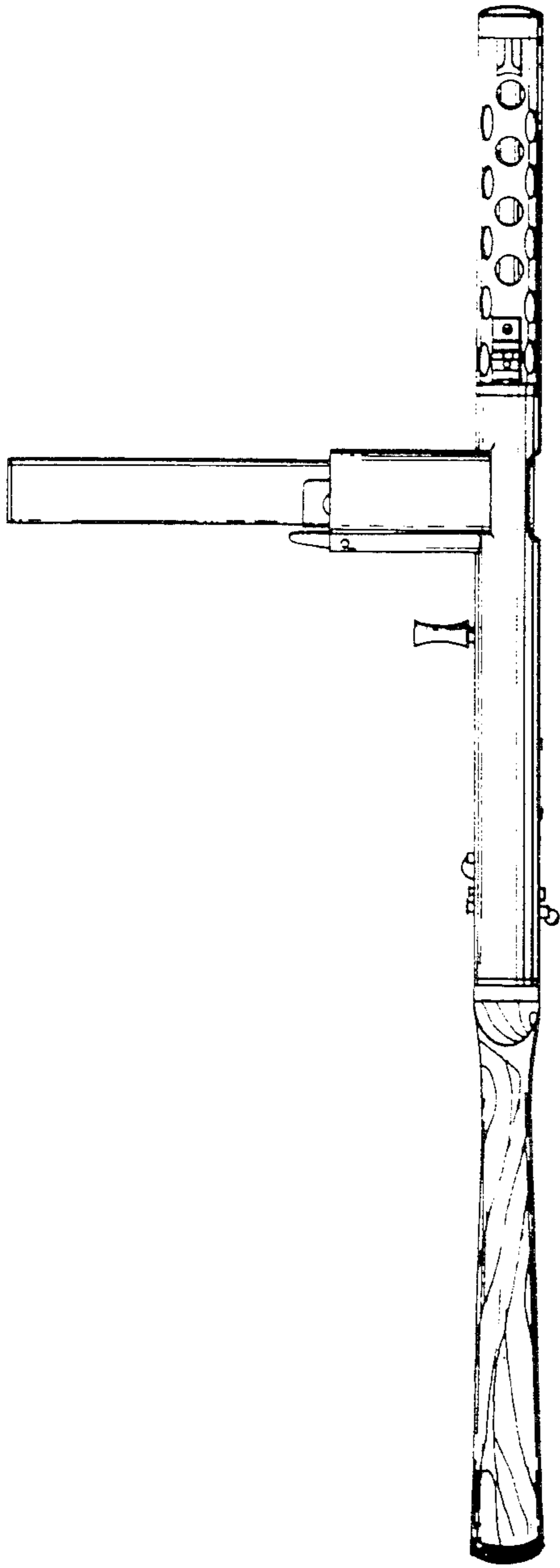


Fig. 6.

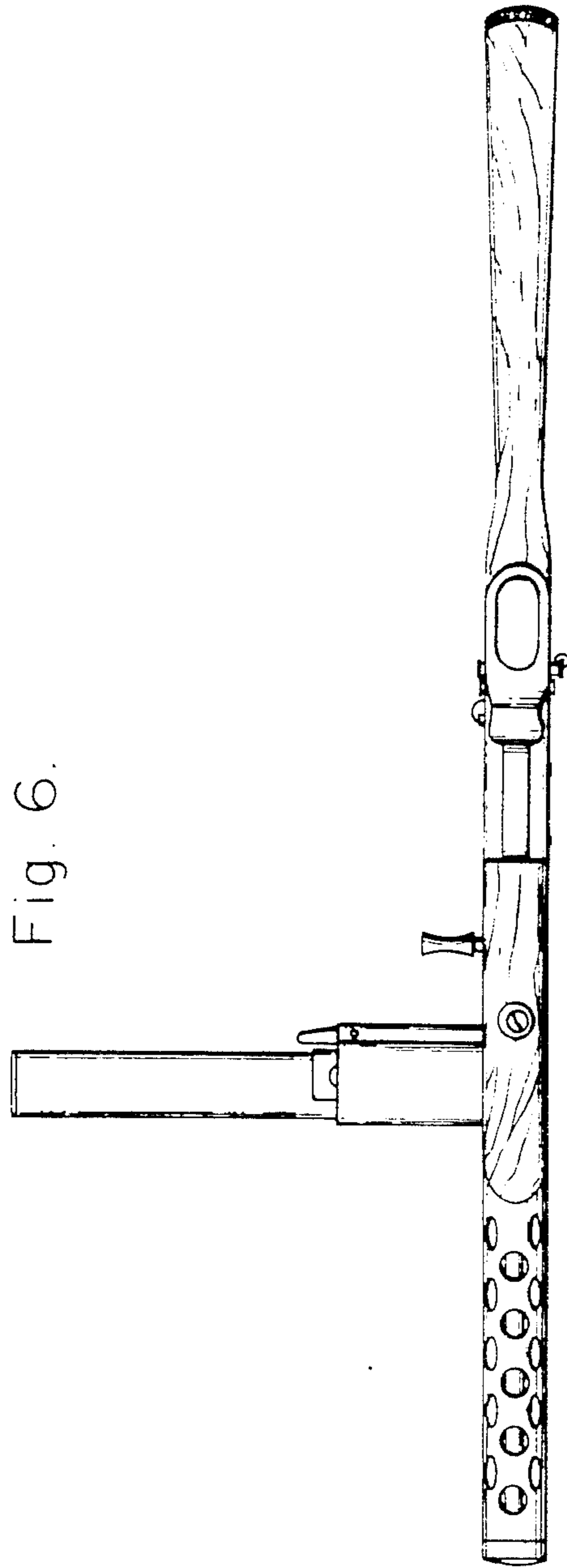


Fig. 7.

Fig. 9.

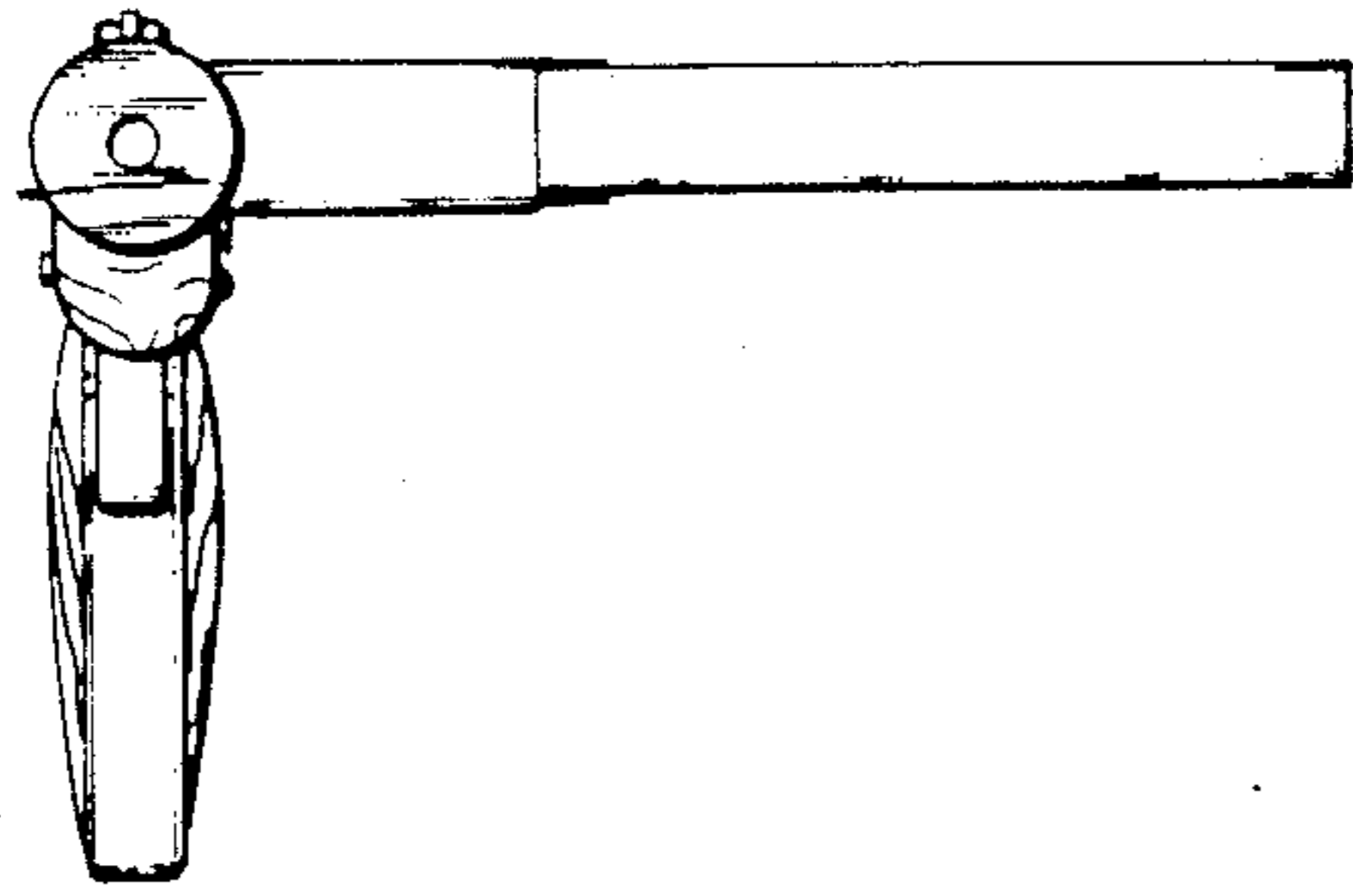


Fig. 10.

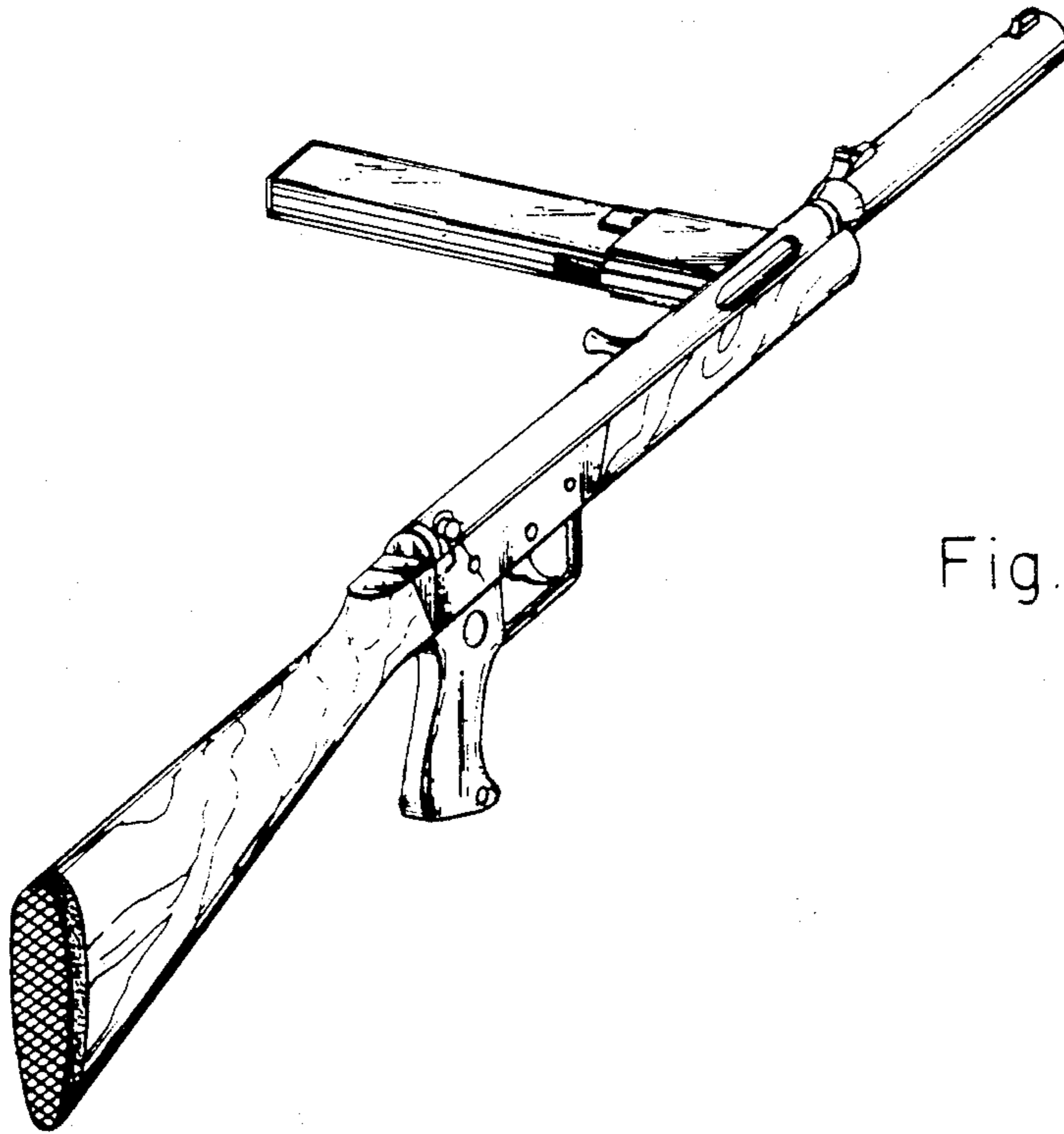
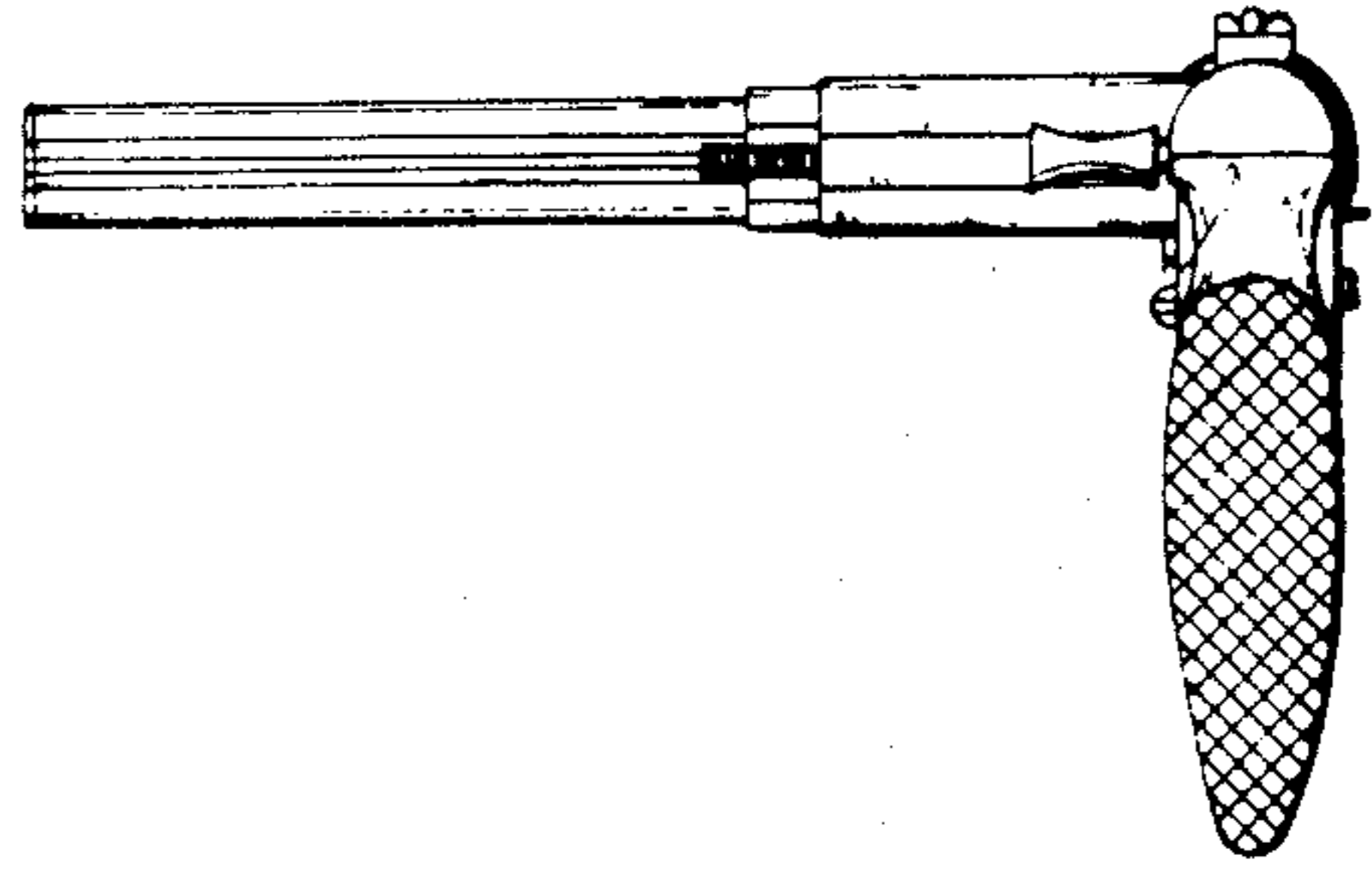


Fig. 8

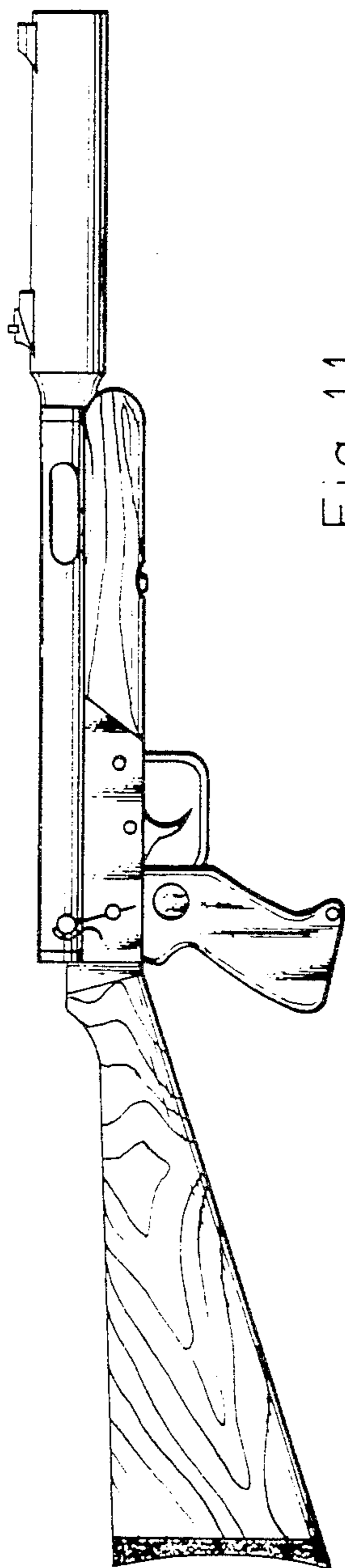


Fig. 11.

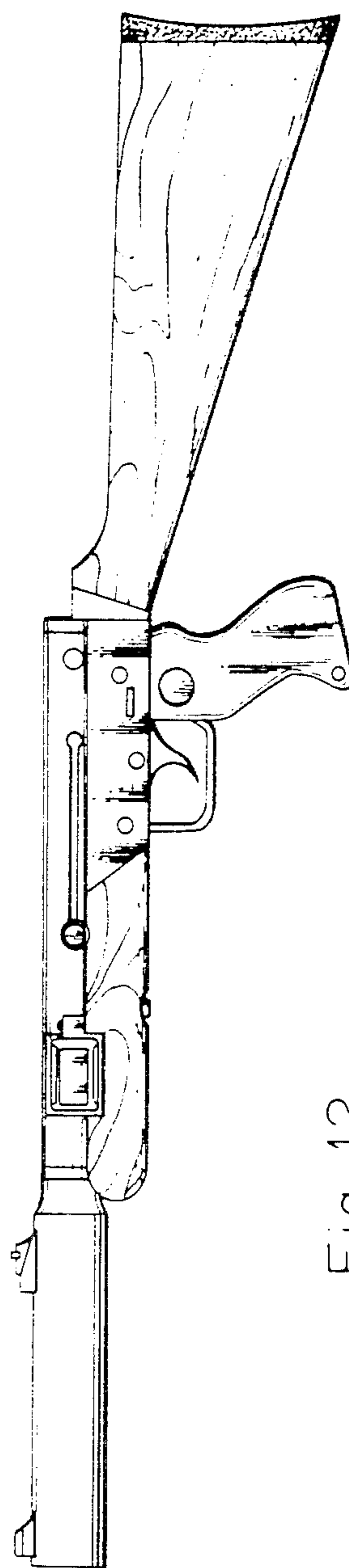


Fig. 12.

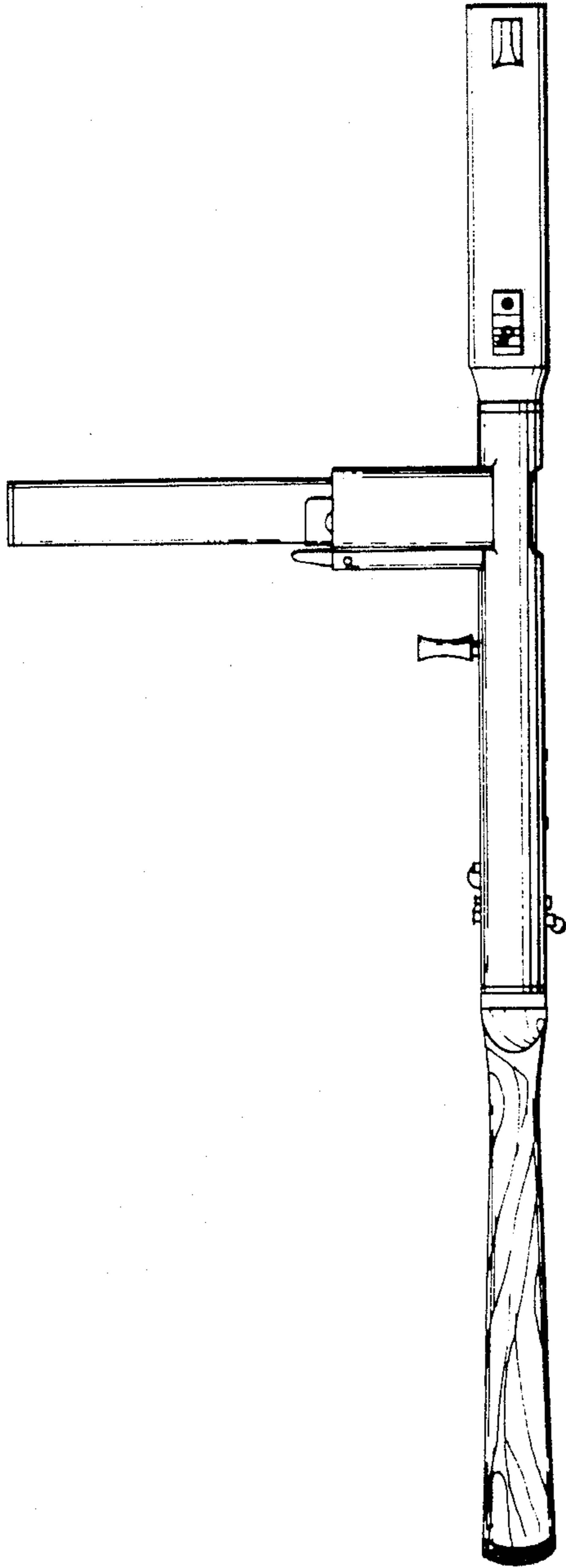


Fig. 13.

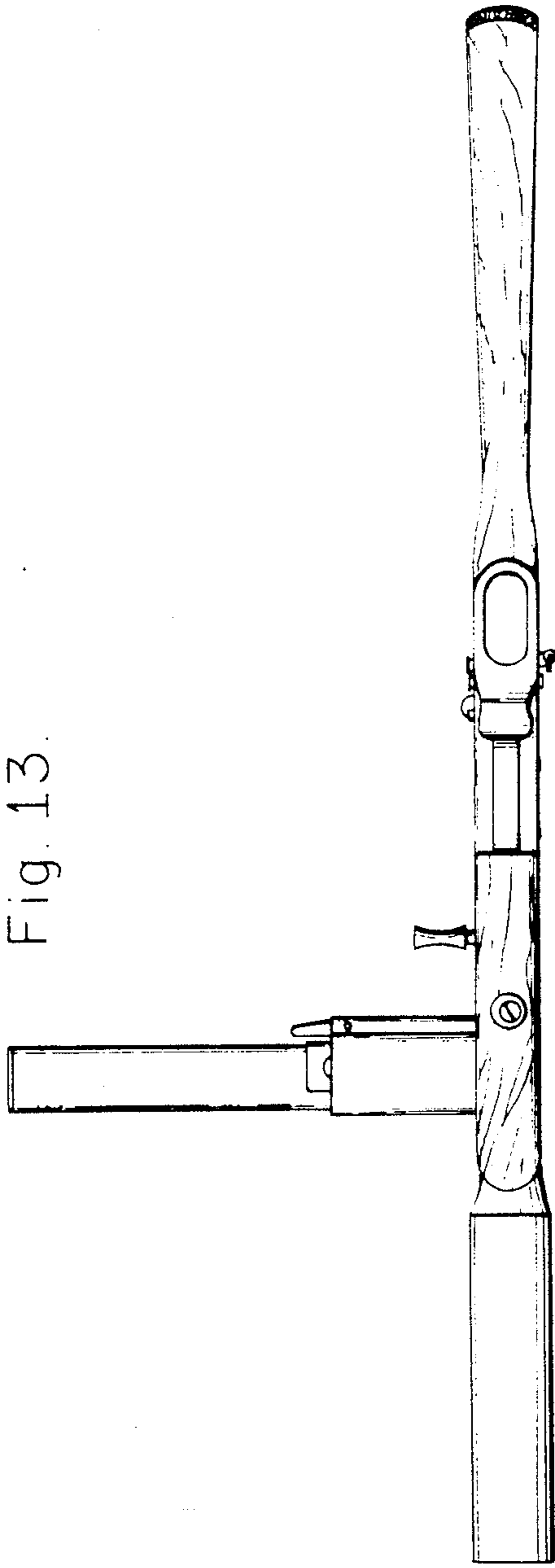


Fig. 14.