

[54] PISTOL

[76] Inventors: Darrel E. Holland; William P. Holland, both of P.O. Box 348, Powers, Oreg. 97466

[\*\*] Term: 14 Years

[21] Appl. No.: 535,919

[22] Filed: Sep. 26, 1983

[52] U.S. Cl. .... D22/1; D22/6

[58] Field of Search ..... D22/1, 6; 89/14.1, 128, 89/125, 194, 195, 33.01, 33.1

[56] References Cited

U.S. PATENT DOCUMENTS

D. 255,917	7/1980	Merrill	.....	D22/1
2,816,484	12/1957	Grages	.....	89/14.1 X
3,425,317	2/1969	Menneking	.....	89/33.01
3,736,839	6/1973	Childers	.....	89/33.1 X

OTHER PUBLICATIONS

Jane's Infantry Weapons, 1978, p. 155, Rifles-Italy, .30 Carbine at top of page.

Primary Examiner—A. Hugo Word  
Attorney, Agent, or Firm—Singer & Singer

[57] CLAIM

The ornamental design for a pistol, substantially as shown and described.

DESCRIPTION

FIG. 1 is a perspective view of a pistol illustrating our new design;  
 FIG. 2 is a front elevational view thereof;  
 FIG. 3 is a rear elevation view thereof;  
 FIG. 4 is a right side elevational view thereof;  
 FIG. 5 is a left side elevational view thereof;  
 FIG. 6 is a top plan view thereof;  
 FIG. 7 is a bottom plan view thereof;  
 FIG. 8 is a perspective view of a second embodiment of a long rifle illustrating our new design;  
 FIG. 9 is a front elevational view thereof;  
 FIG. 10 is a rear elevational view thereof;  
 FIG. 11 is a right side elevational view thereof;  
 FIG. 12 is a left side elevational view thereof;  
 FIG. 13 is a top plan view thereof; and  
 FIG. 14 is a bottom plan view thereof.

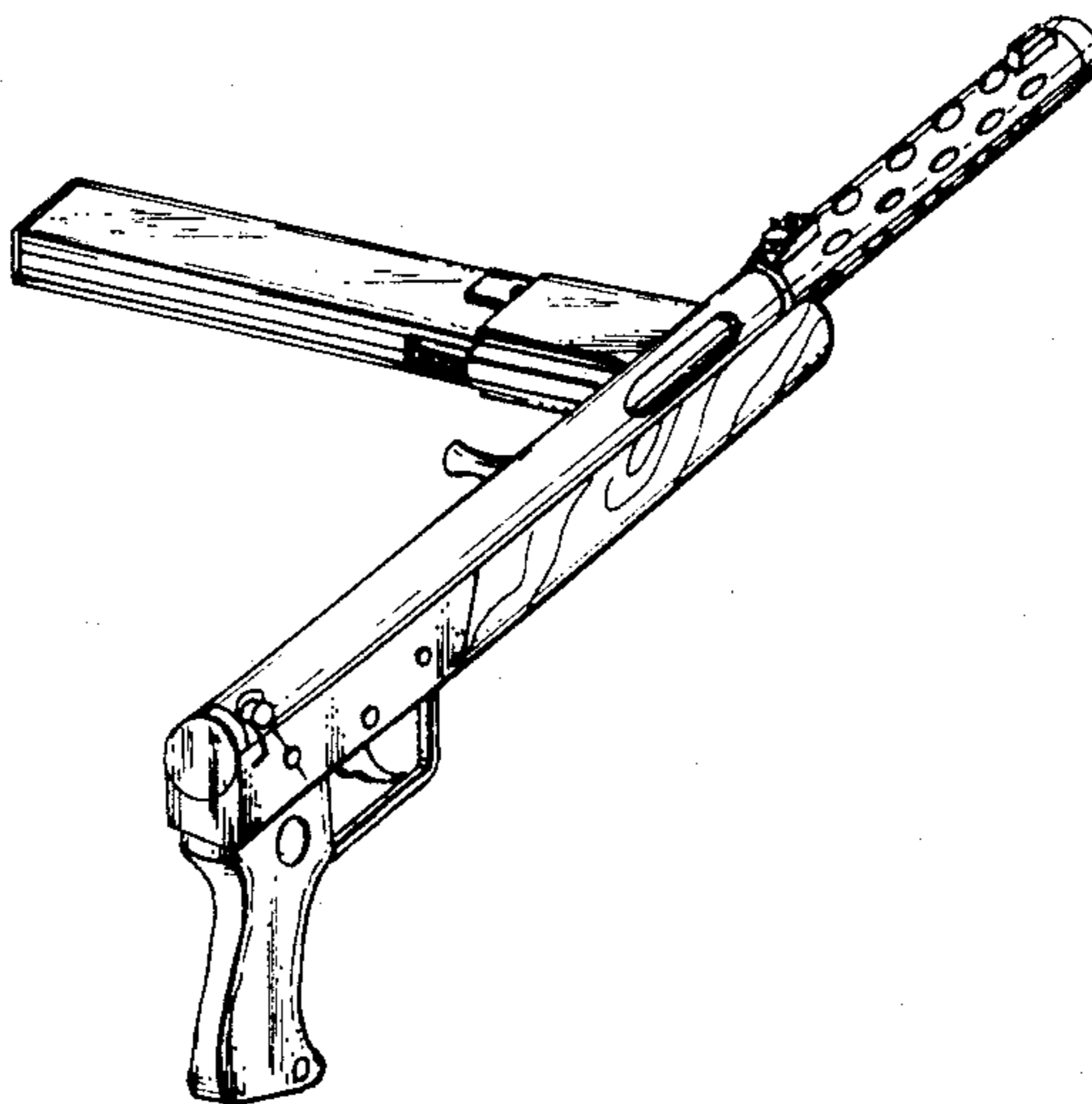


Fig. 2.

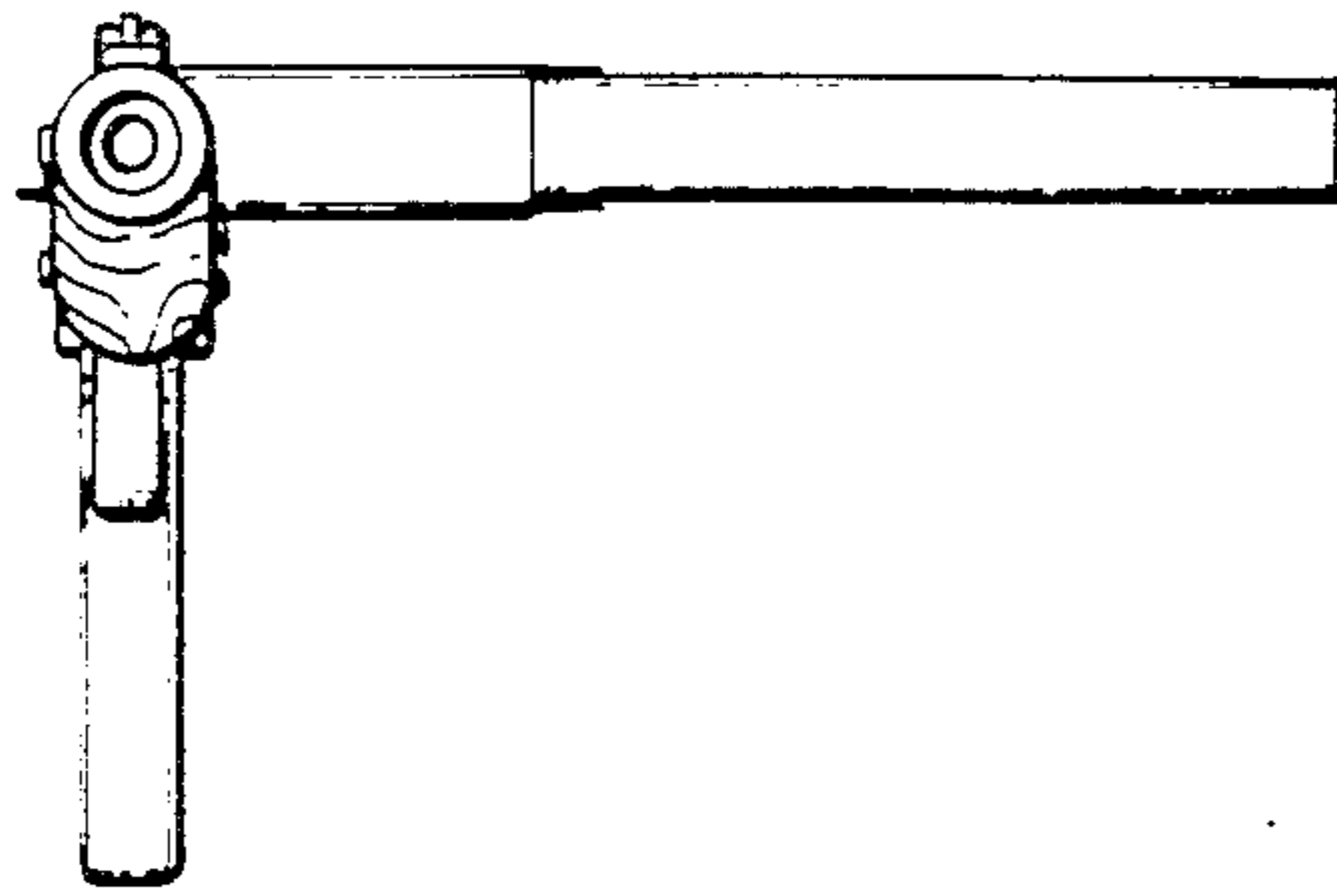


Fig. 3.

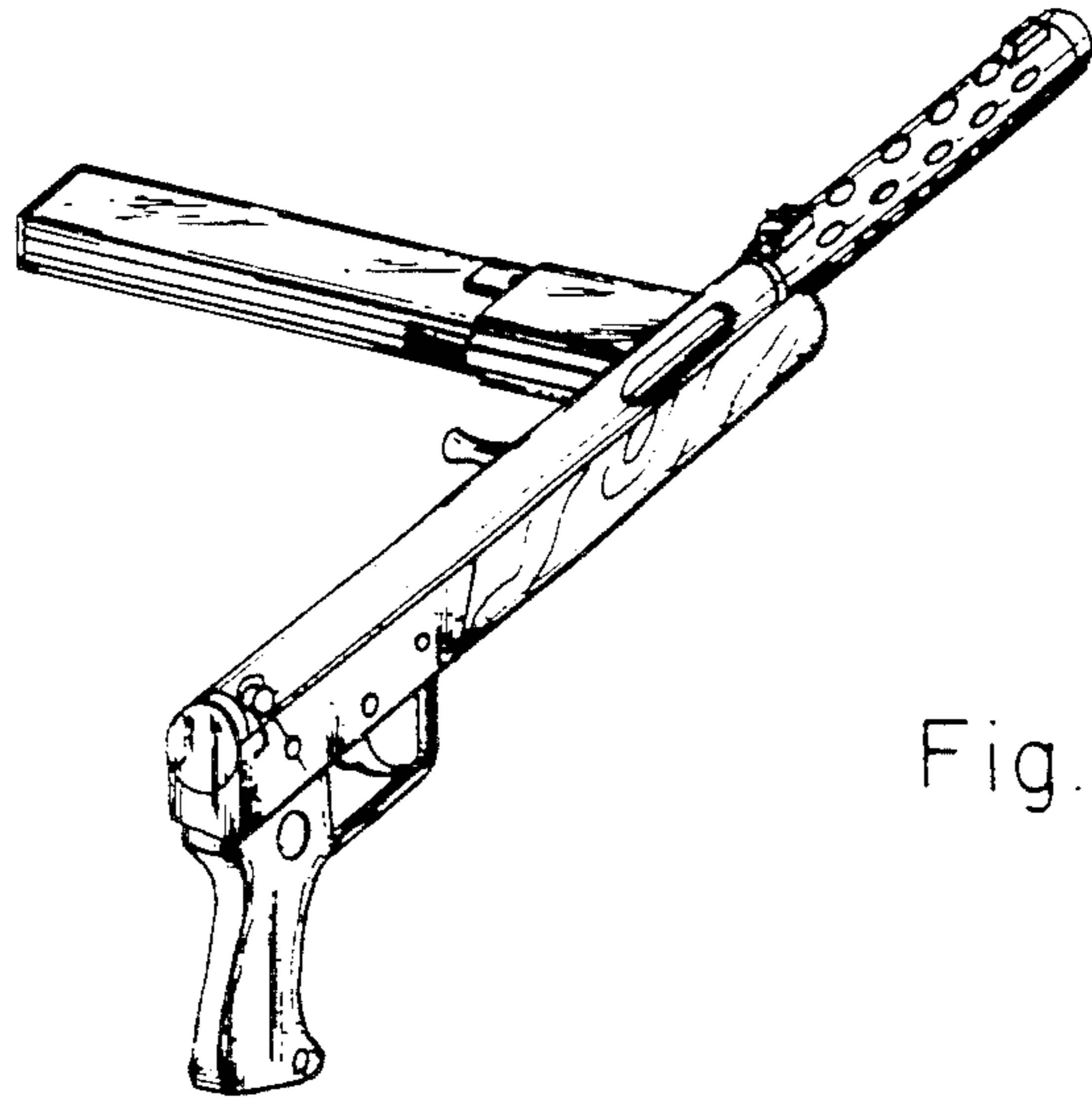
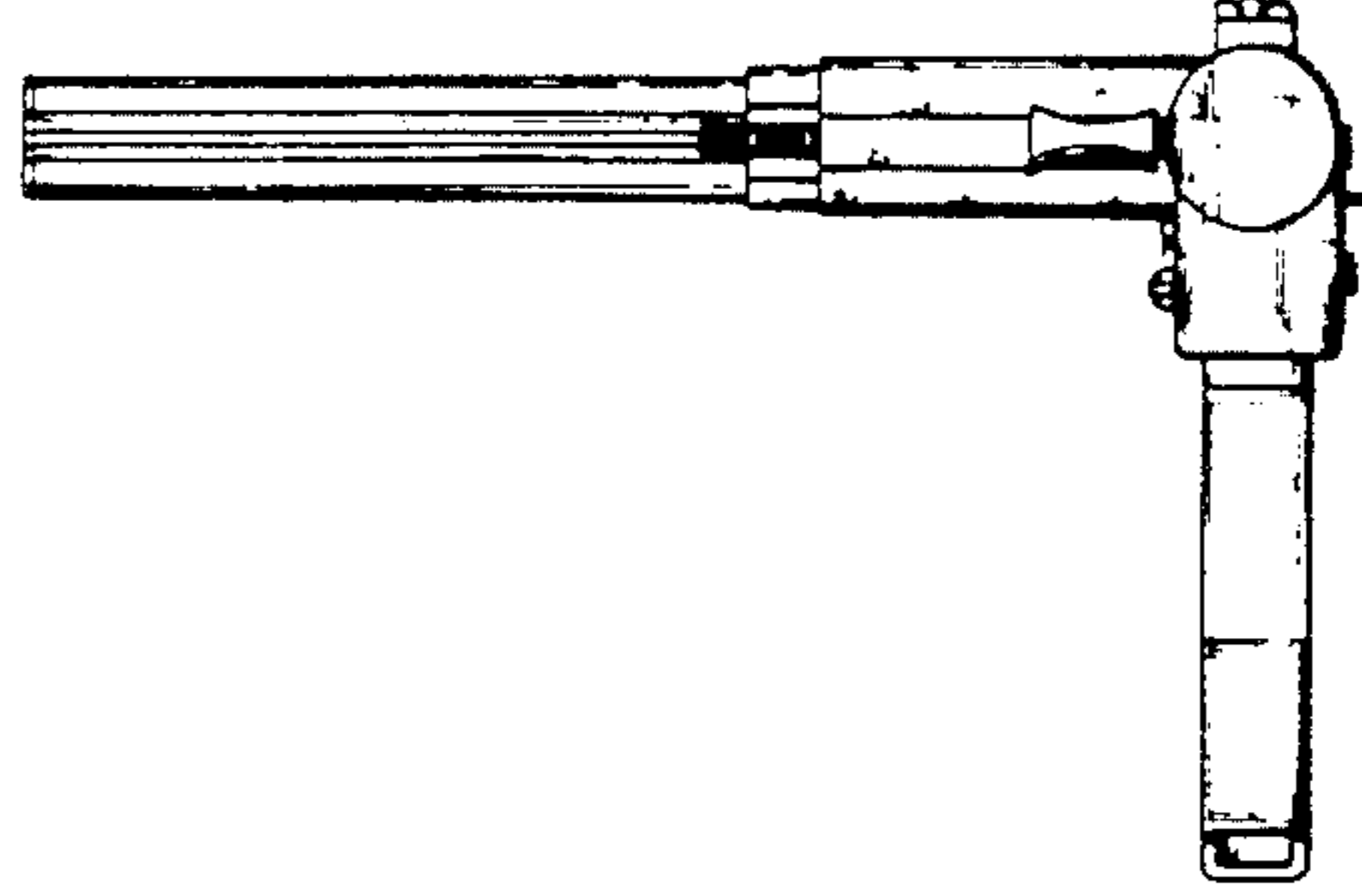


Fig. 1.

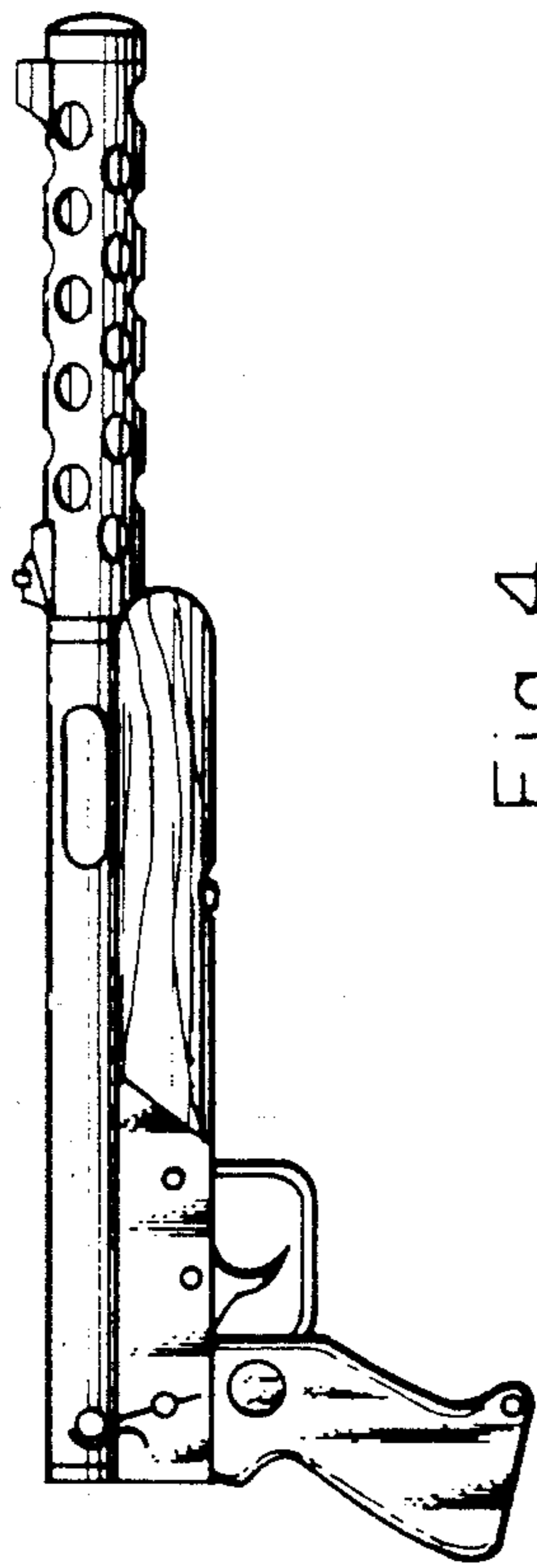


Fig. 4.

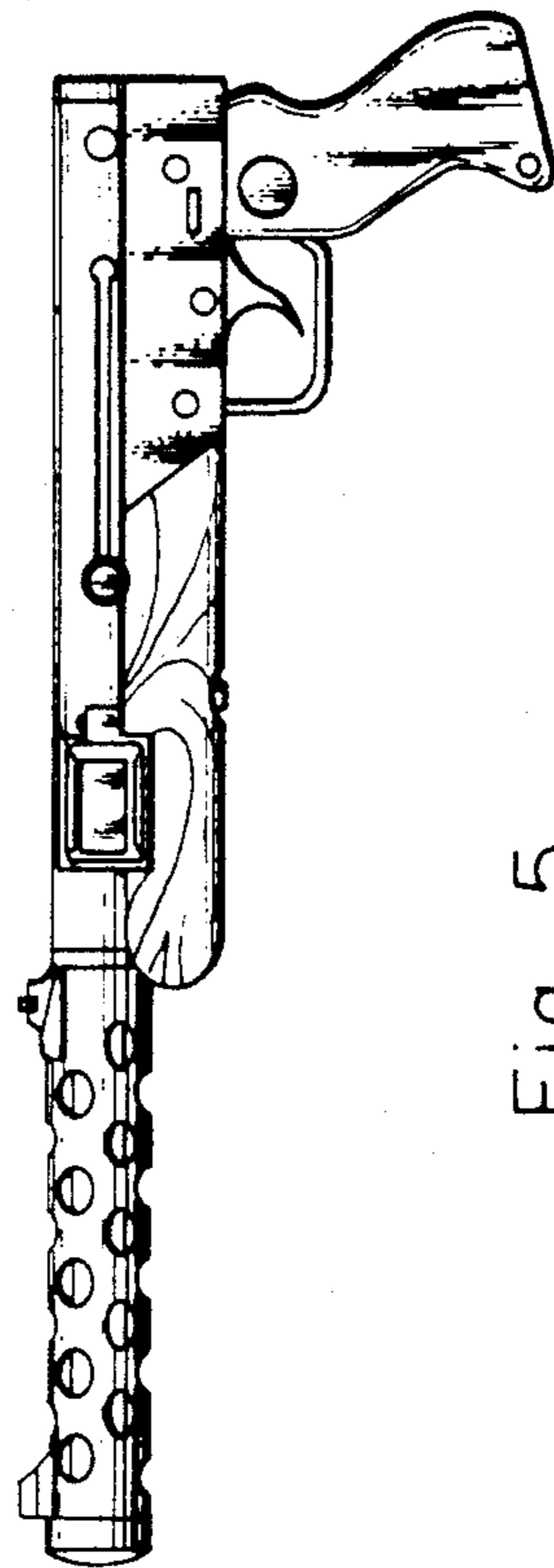


Fig. 5.

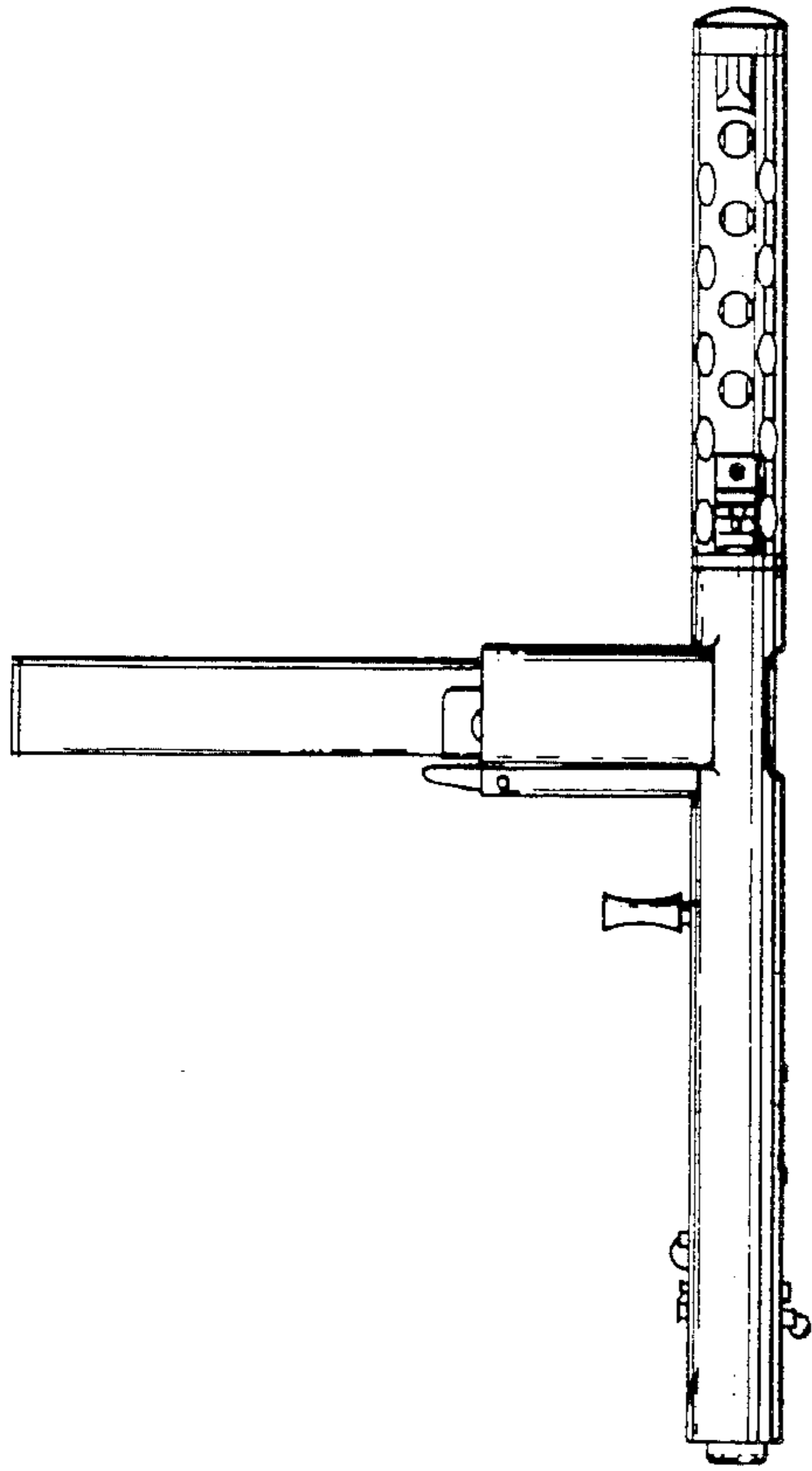


Fig. 6.

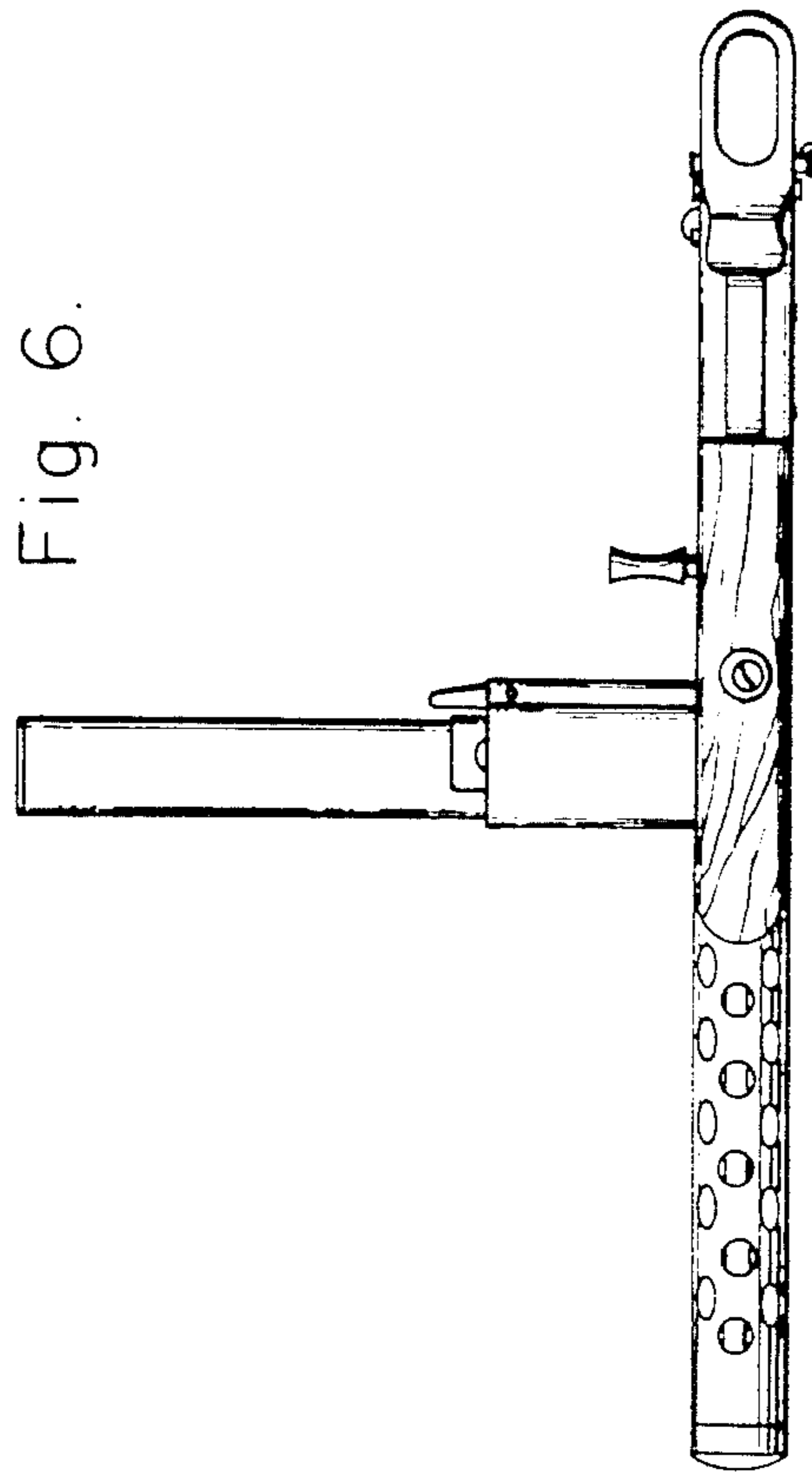


Fig. 7.

Fig. 9.

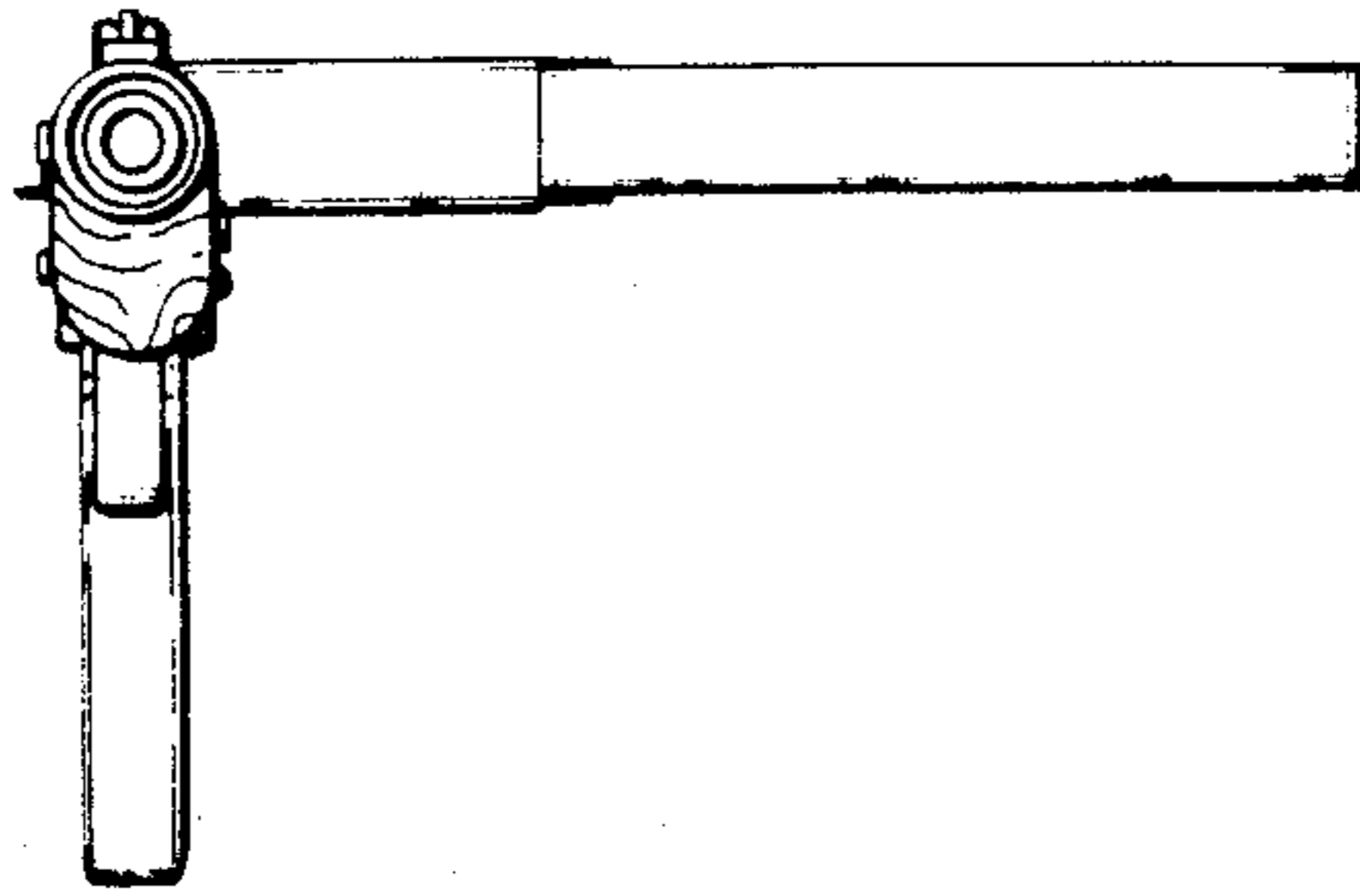


Fig. 10.

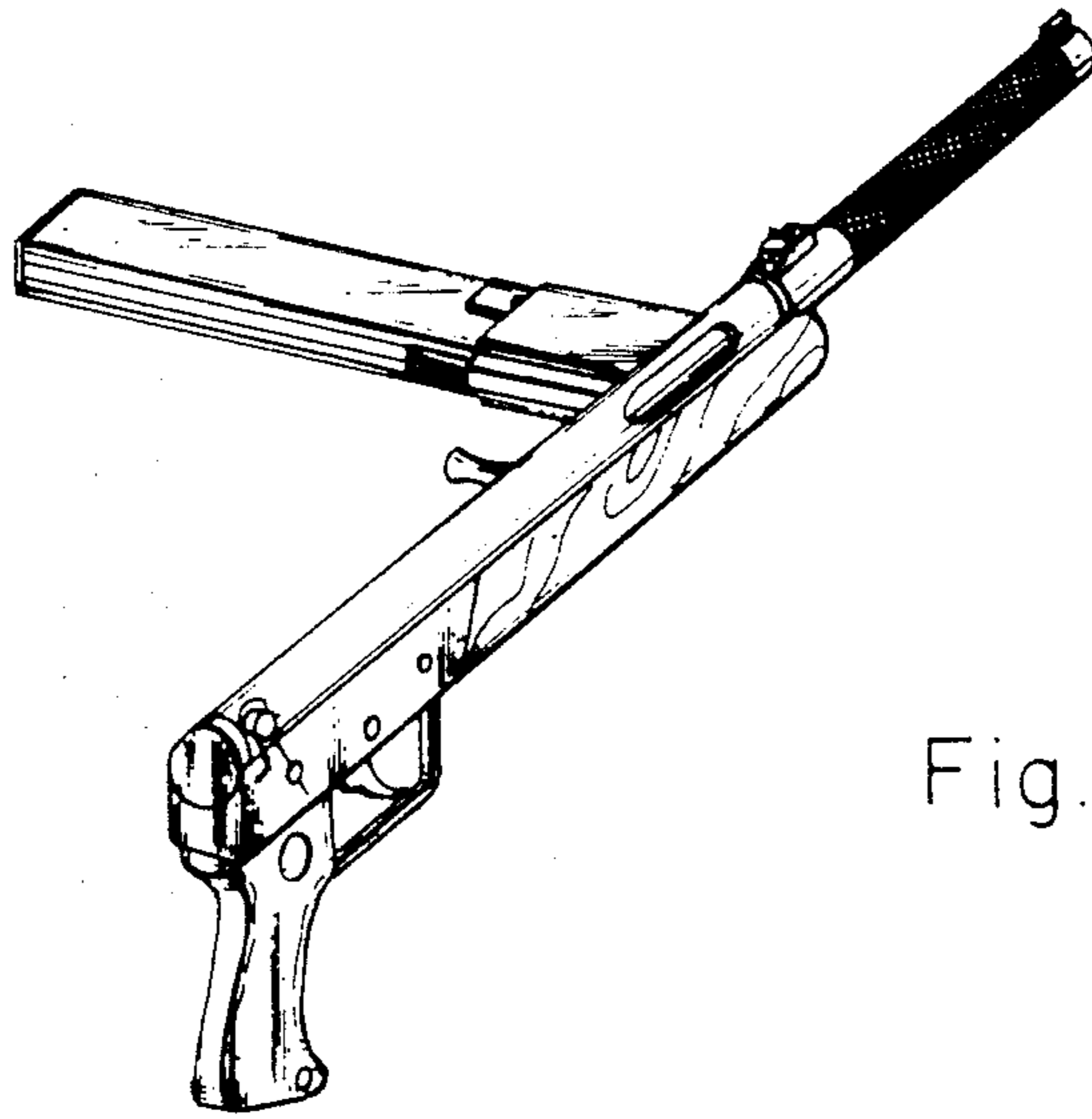
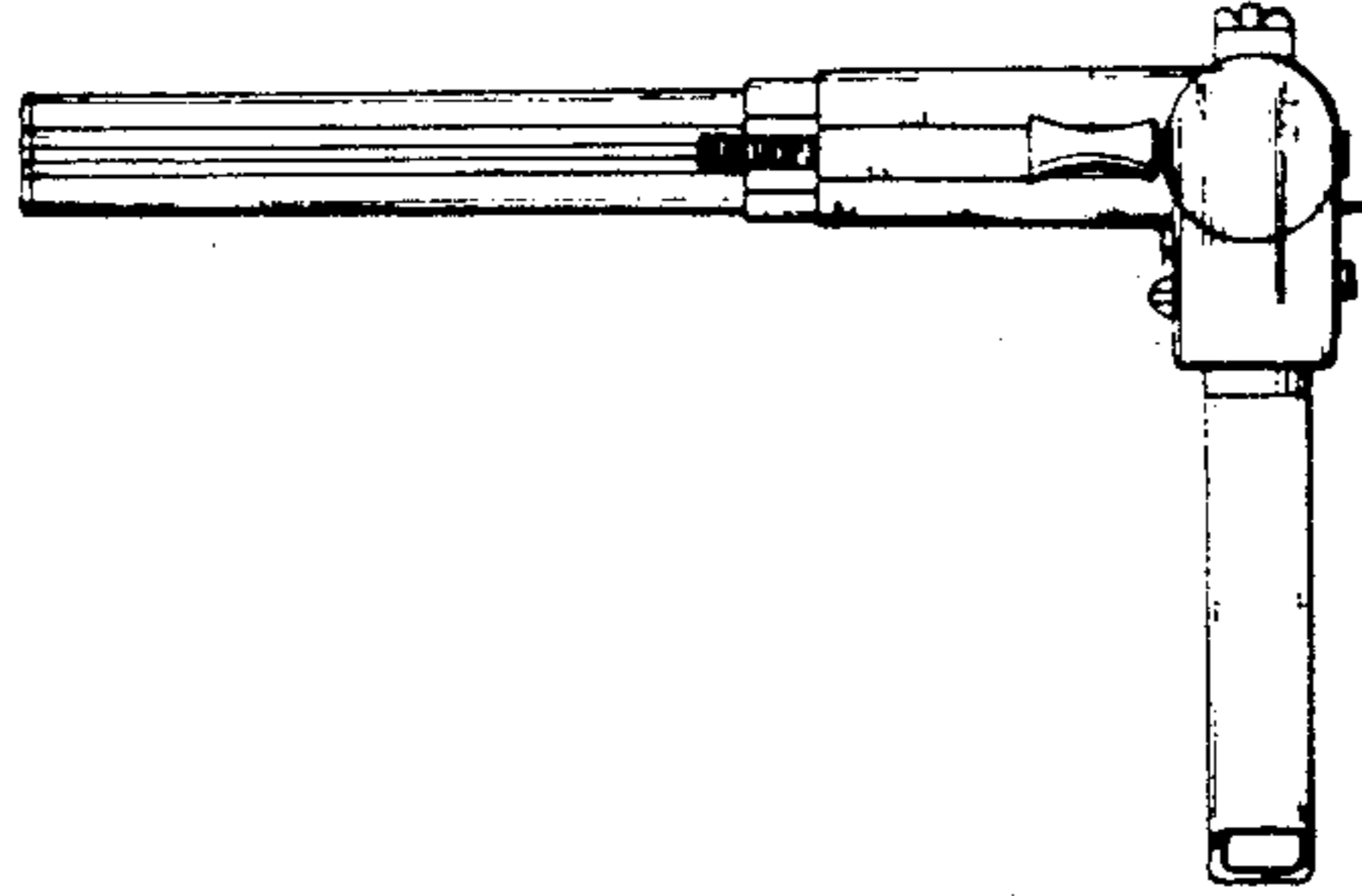


Fig. 8.

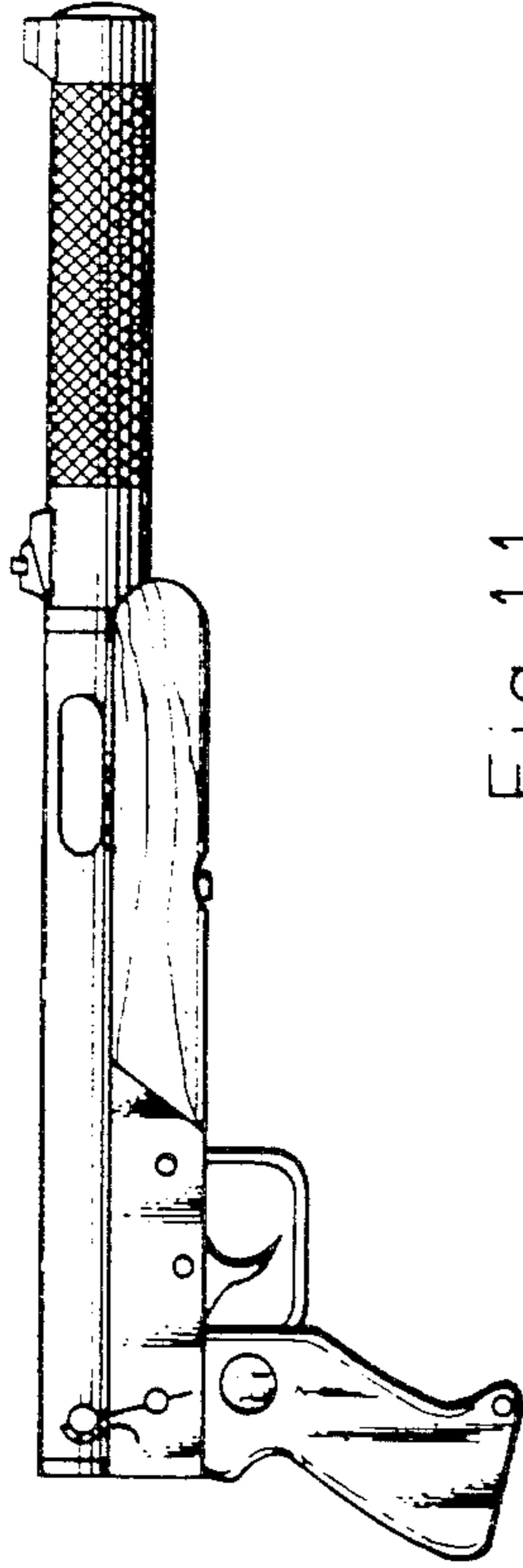


Fig. 11.

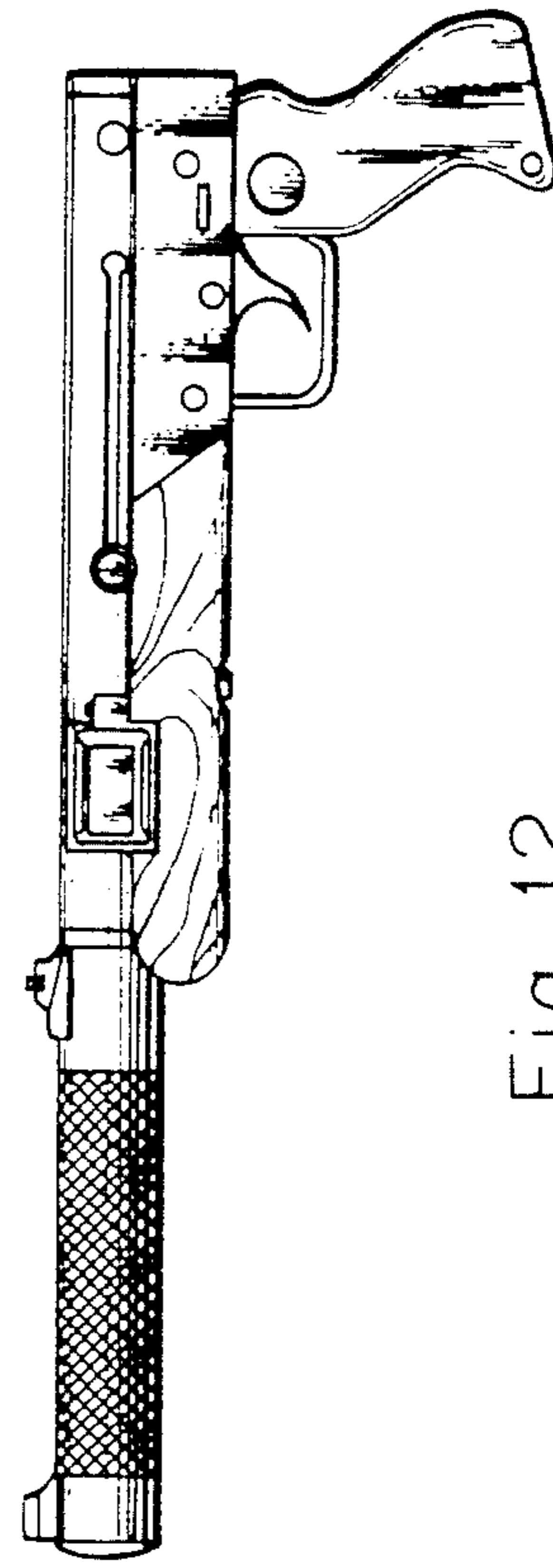


Fig. 12.

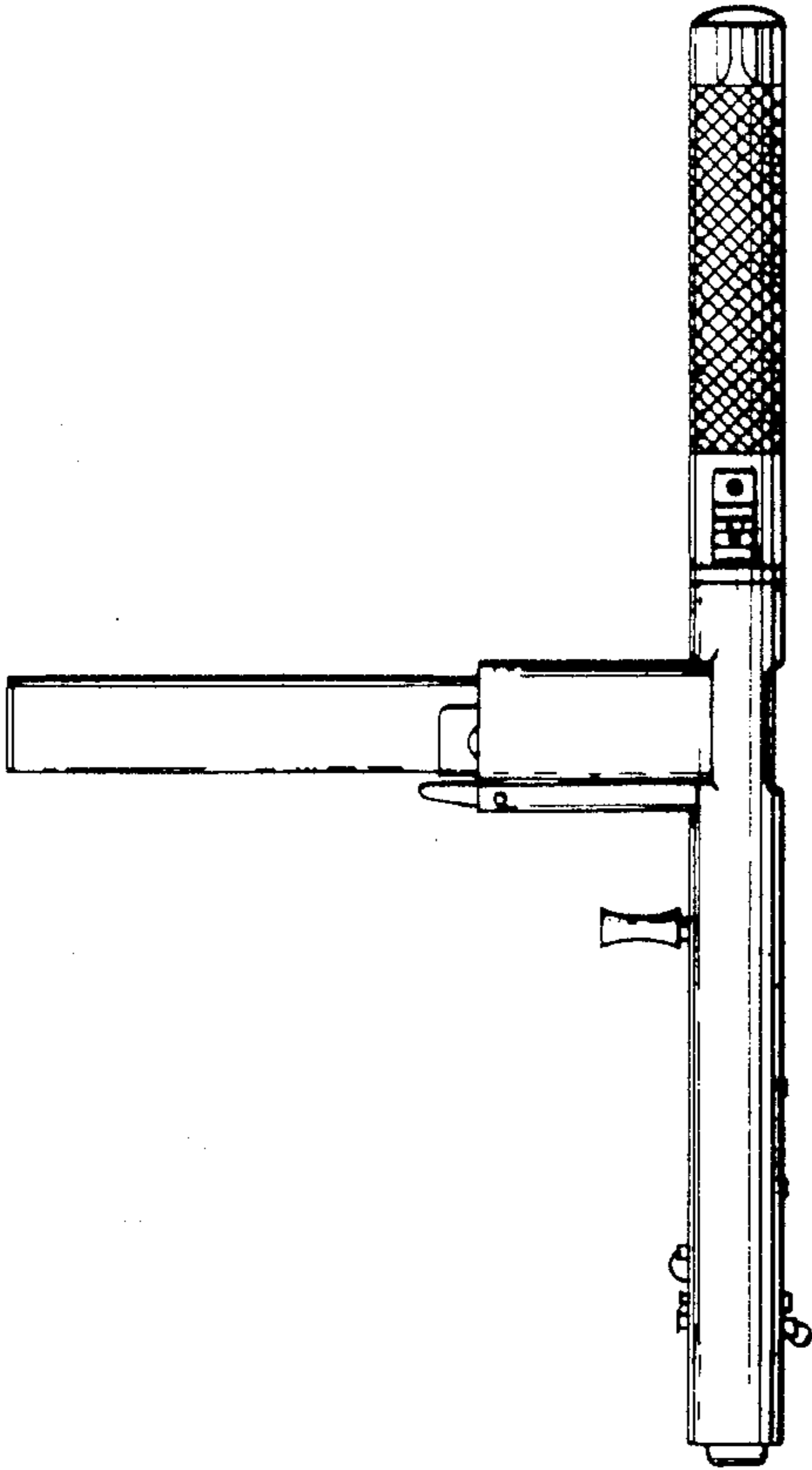


Fig. 13.

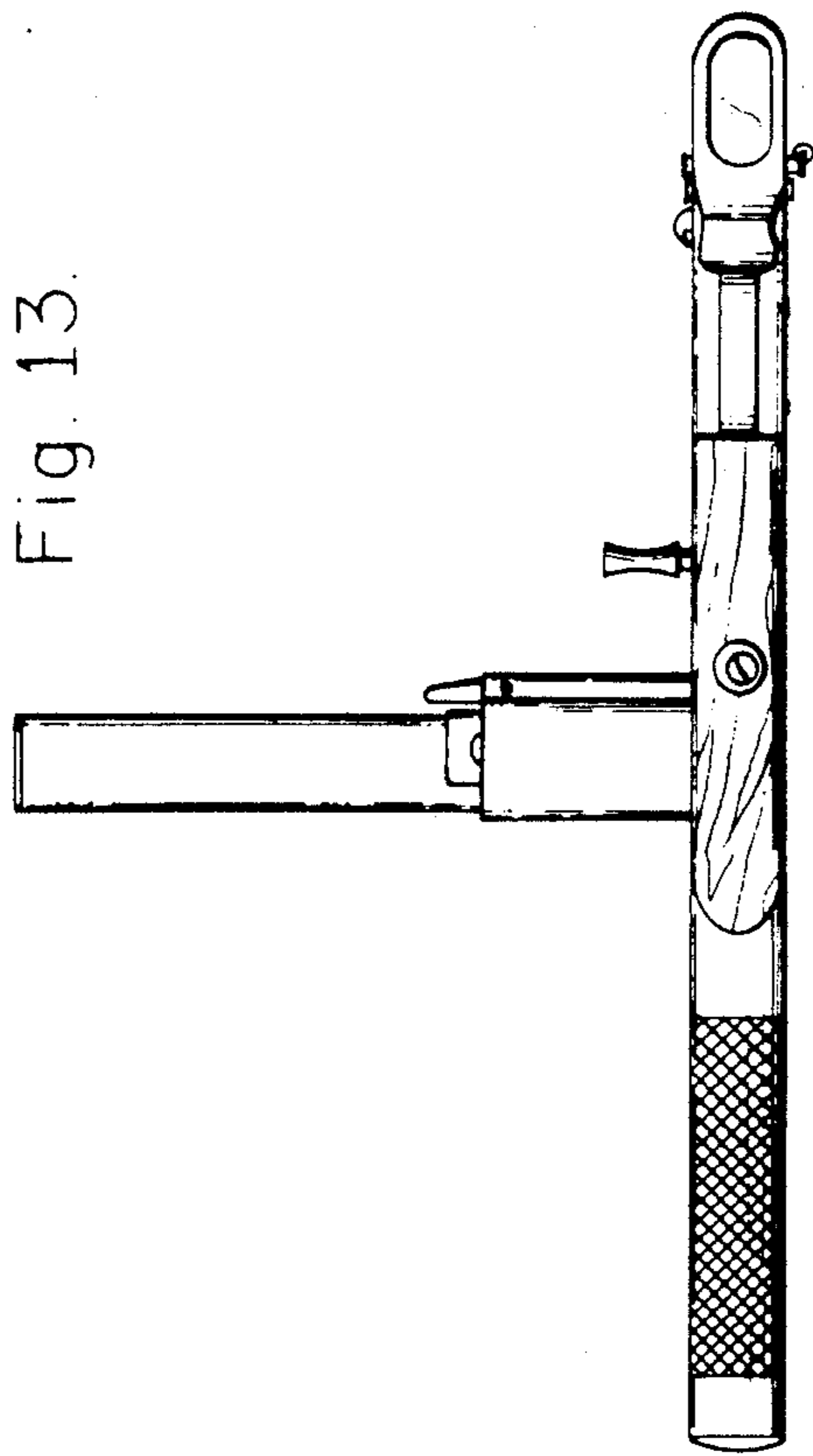


Fig. 14.