

[54] GOLF PUTTER HEAD

[76] Inventor: Karsten Solheim, 501 W. Wakonda La., Phoenix, Ariz. 85023

[\*\*] Term: 14 Years

[21] Appl. No.: 543,824

[22] Filed: Oct. 20, 1983

[52] U.S. Cl. .... D21/219

[58] Field of Search ..... D21/214-220; 273/164, 167-175

[56] References Cited

U.S. PATENT DOCUMENTS

- D. 209,761 1/1968 Solheim ..... D21/217
- D. 255,373 6/1980 Solheim ..... D21/219

D. 263,614 3/1982 Solheim ..... D21/217

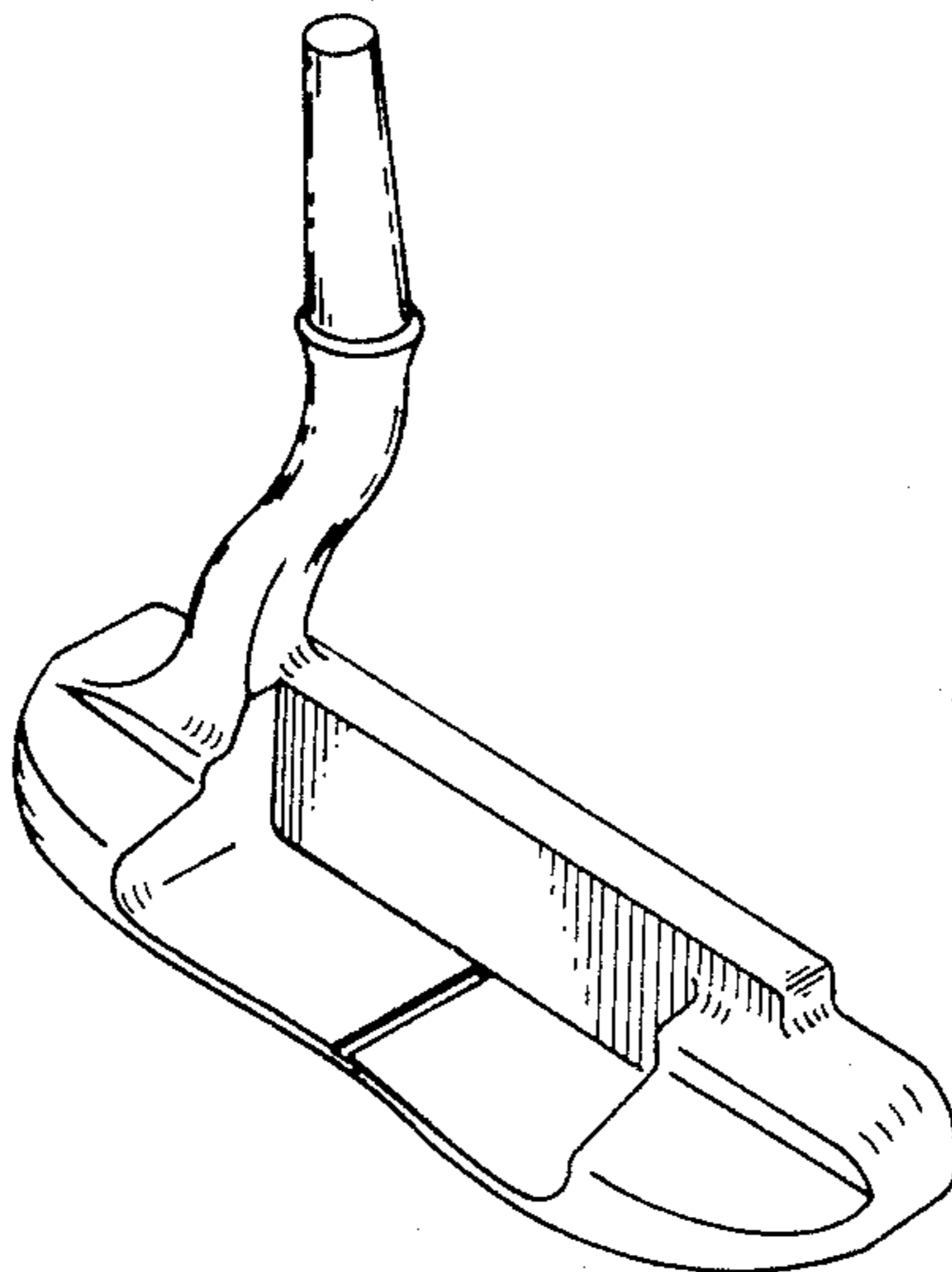
Primary Examiner—Melvin B. Feifer

[57] CLAIM

The ornamental design for a golf putter head, substantially as shown.

DESCRIPTION

FIG. 1 is a rear view in perspective of a golf putter head embodying my new design;  
 FIG. 2 is a front elevation view of the same, and;  
 FIG. 3 is a top view of a golf putter head embodying my new design;  
 FIG. 4 is a rear elevation view of the same; and  
 FIG. 5 is a sectional view showing the contour of the cavity of the gold putter head embodying my new design.



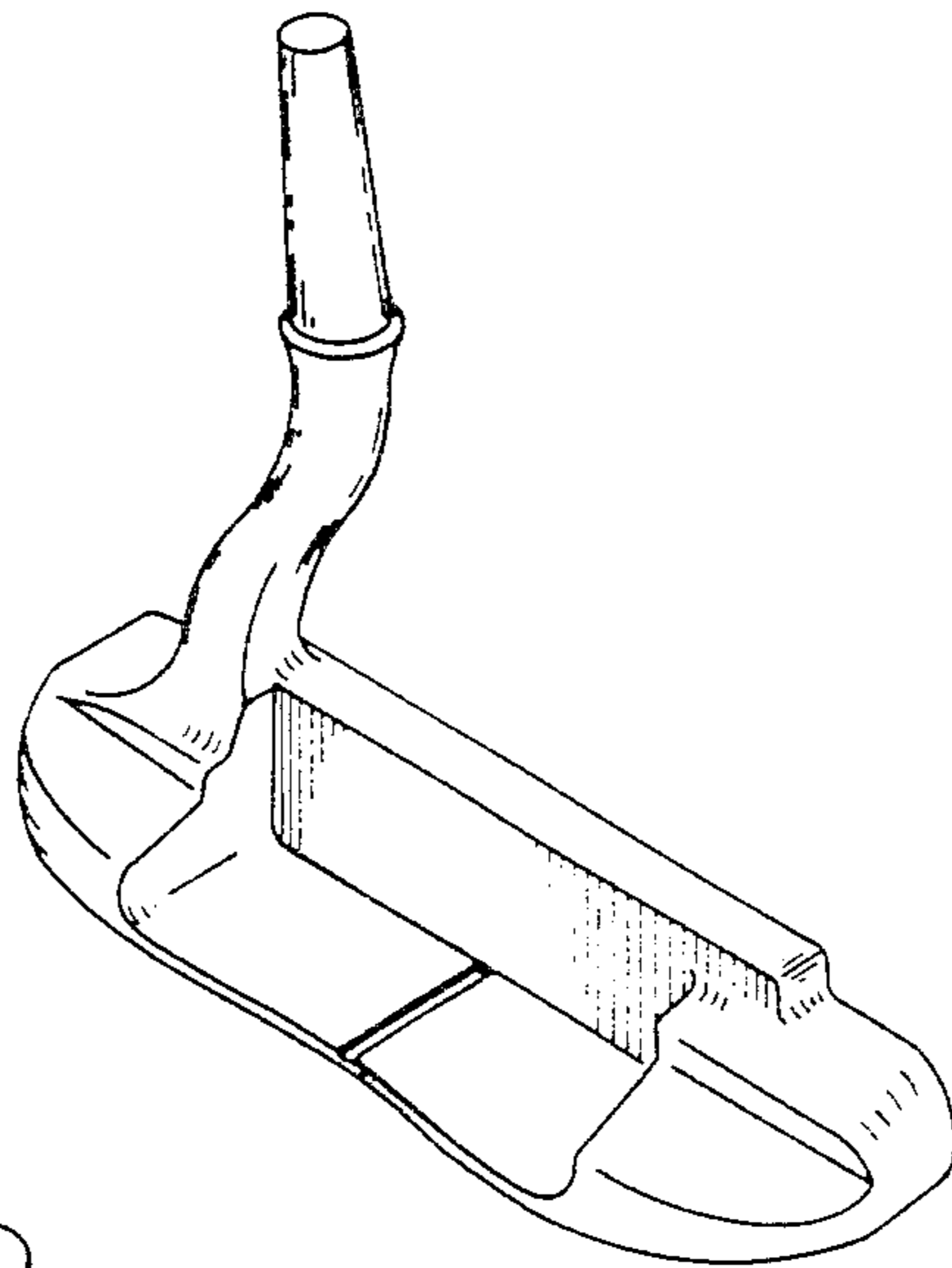


Fig. 1

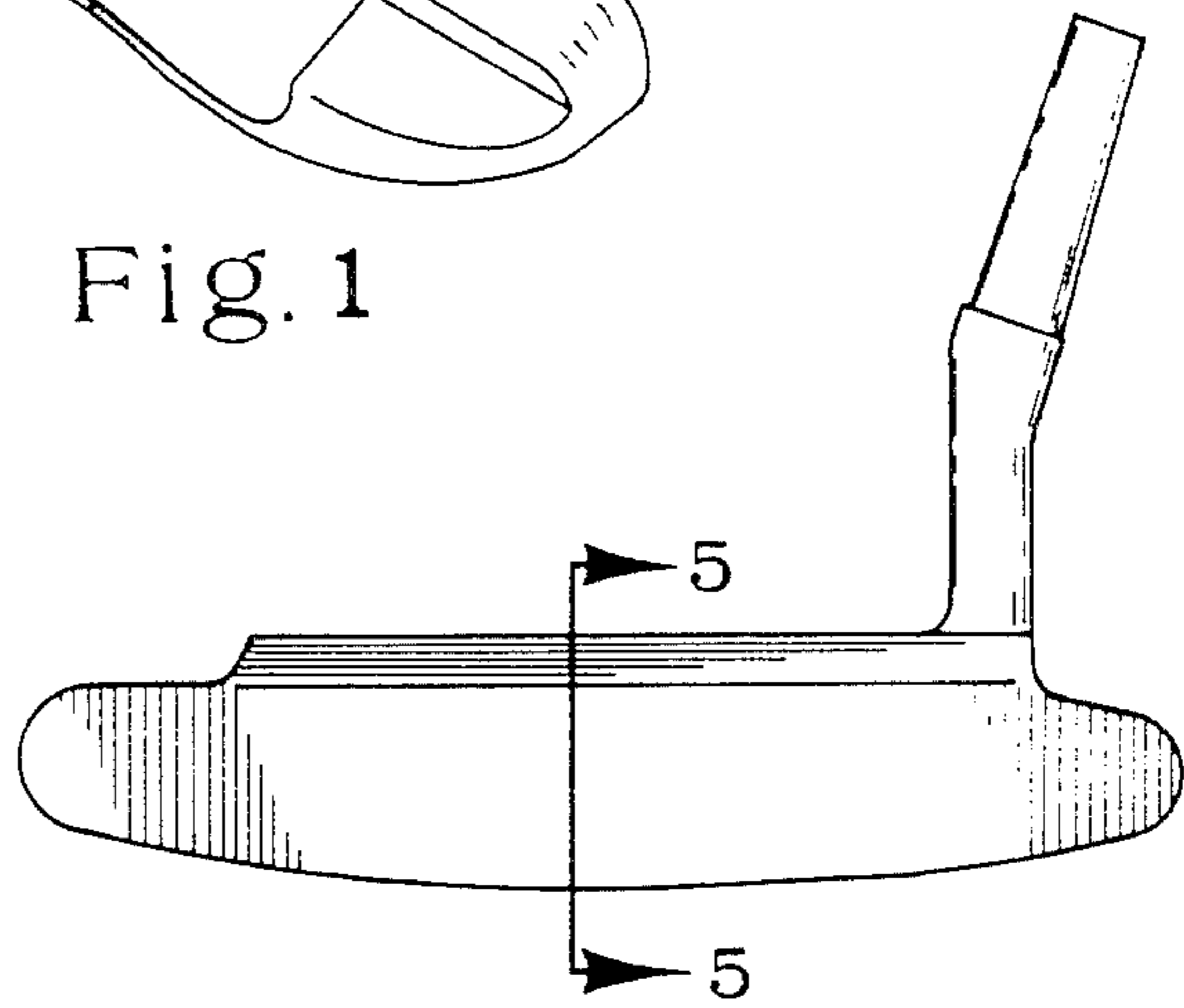


Fig. 2

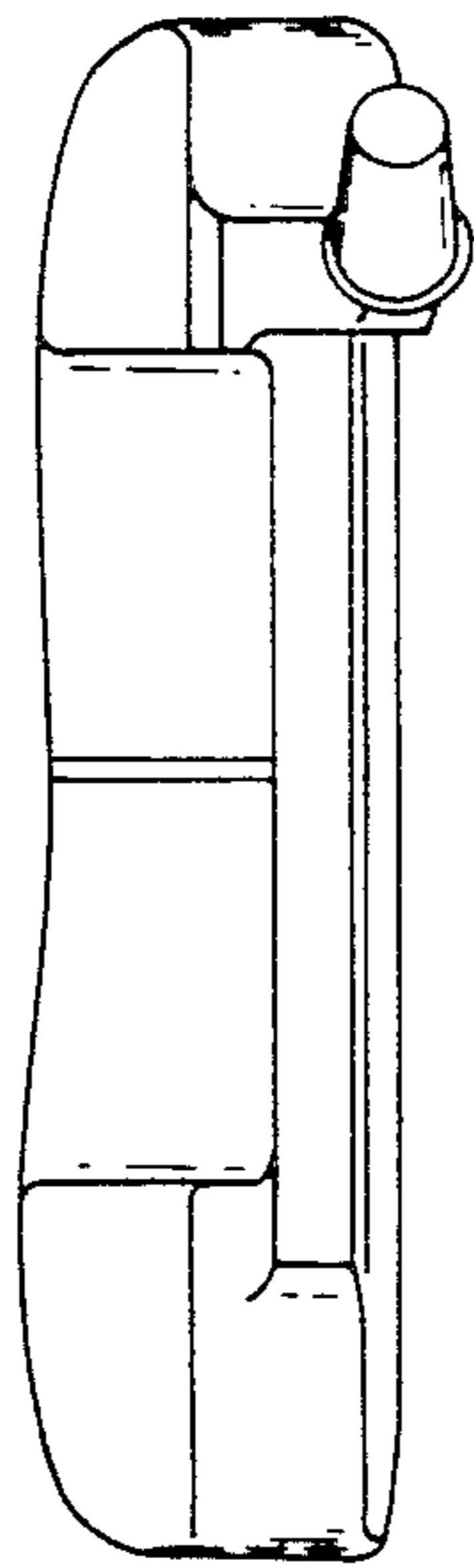


Fig. 3

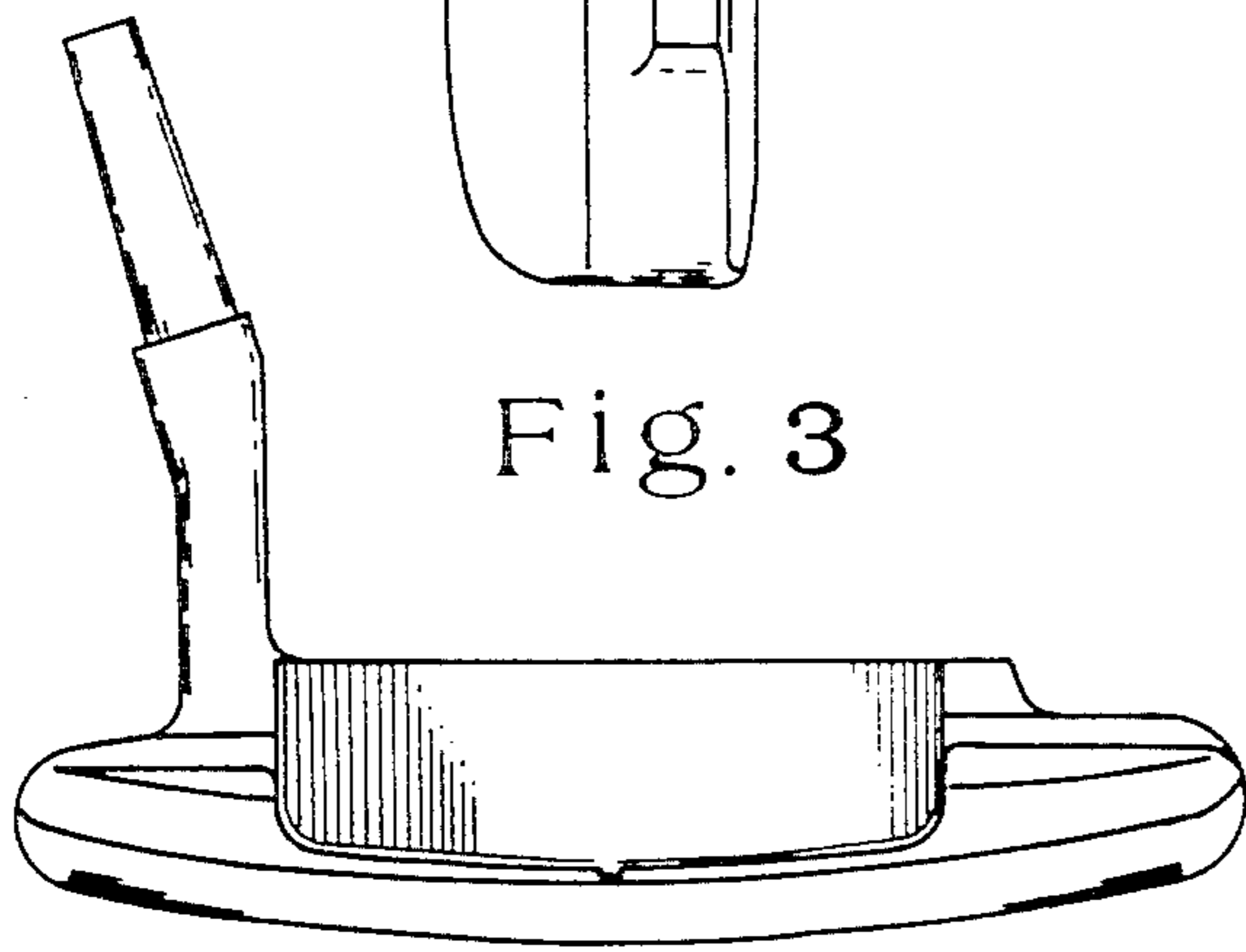


Fig. 4

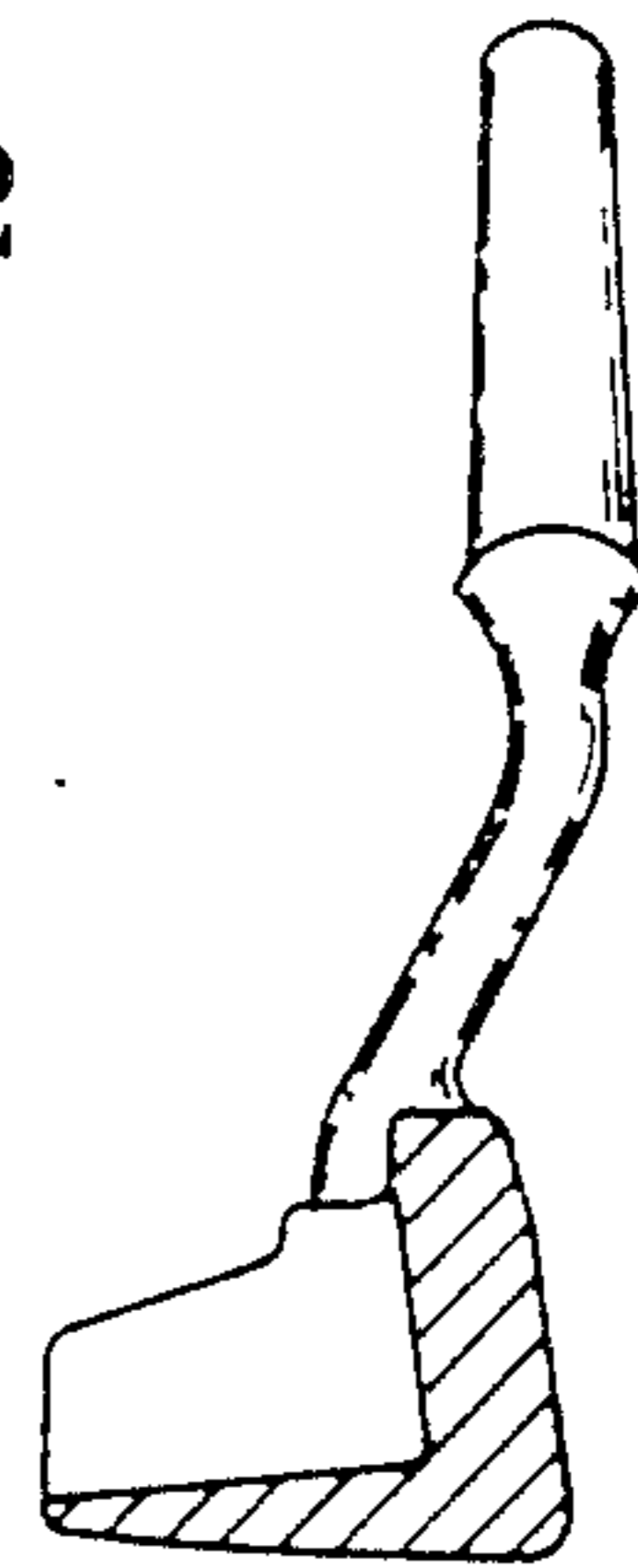


Fig. 5