

[54] **HEAVY DUTY PAPER PUNCH**

[75] Inventor: **Albrecht Goertz**, New York, N.Y.
 [73] Assignee: **Rolodex Corporation**, Secaucus, N.J.
 [**] Term: **14 Years**
 [21] Appl. No.: **456,864**
 [22] Filed: **Jan. 10, 1983**
 [52] U.S. Cl. **D19/72**
 [58] Field of Search **D19/72; 83/467, 560, 83/618, 588, 167**

[56] **References Cited**

U.S. PATENT DOCUMENTS

| | | | | |
|------------|--------|--------|-------|--------|
| D. 183,154 | 7/1958 | Aleks | | D19/72 |
| D. 202,007 | 8/1965 | Murray | | D19/72 |
| 4,036,088 | 7/1977 | Ruskin | | 83/618 |

OTHER PUBLICATIONS

Bainbridge, Kimpton & Haupt Cat., 1962, p. 351, Items 51, 58, 57, 53.

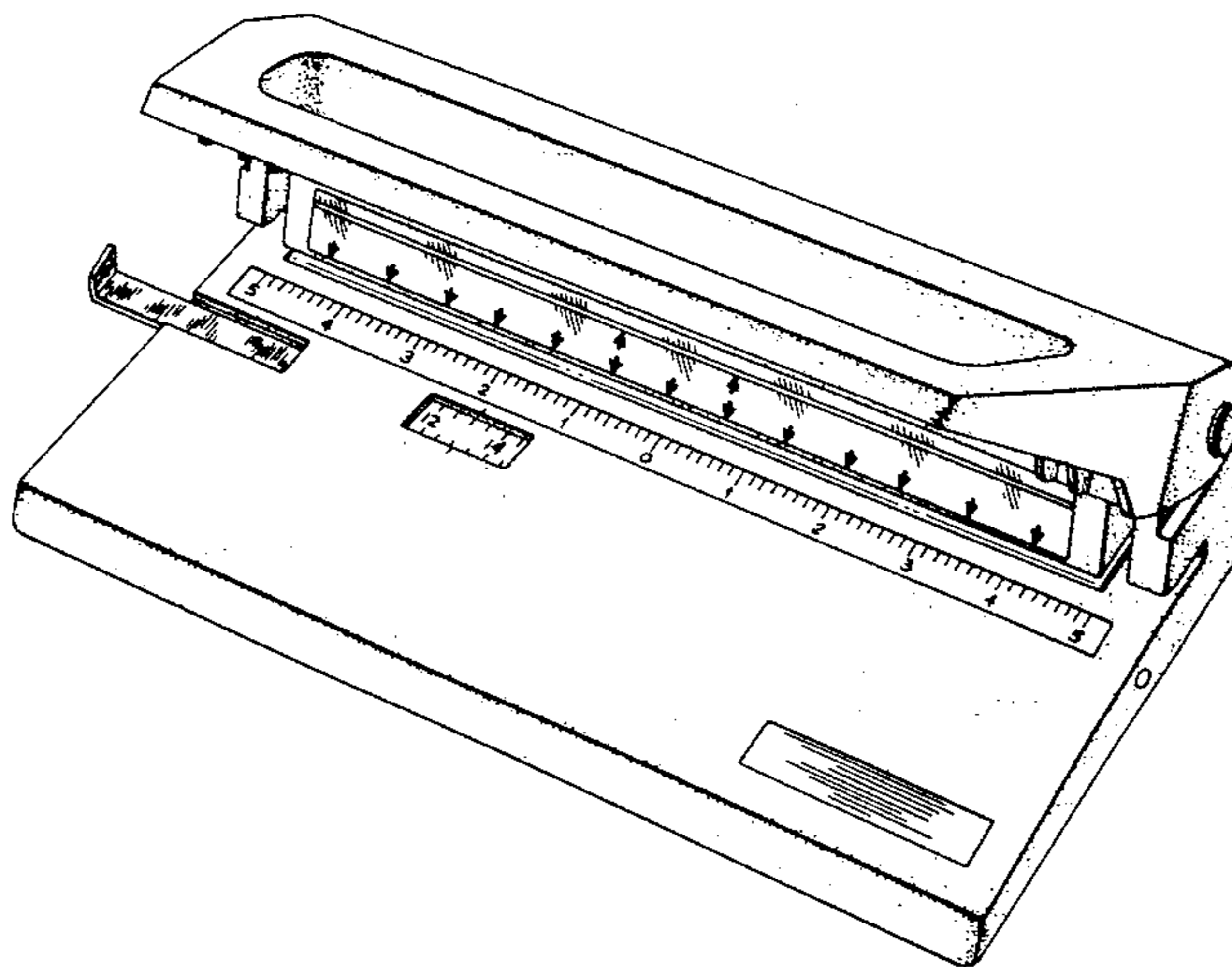
Primary Examiner—George P. Word
Attorney, Agent, or Firm—Robert E. Burns; Emmanuel J. Lobato; Bruce L. Adams

[57] **CLAIM**

The ornamental design for a heavy duty paper punch, as shown and described.

DESCRIPTION

FIG. 1 is a front perspective view of a heavy duty paper punch showing my new design; FIG. 2 is a top plan view thereof; and FIG. 3 is a rear elevational view thereof. The bottom of the heavy duty paper punch is plain and unornamented.



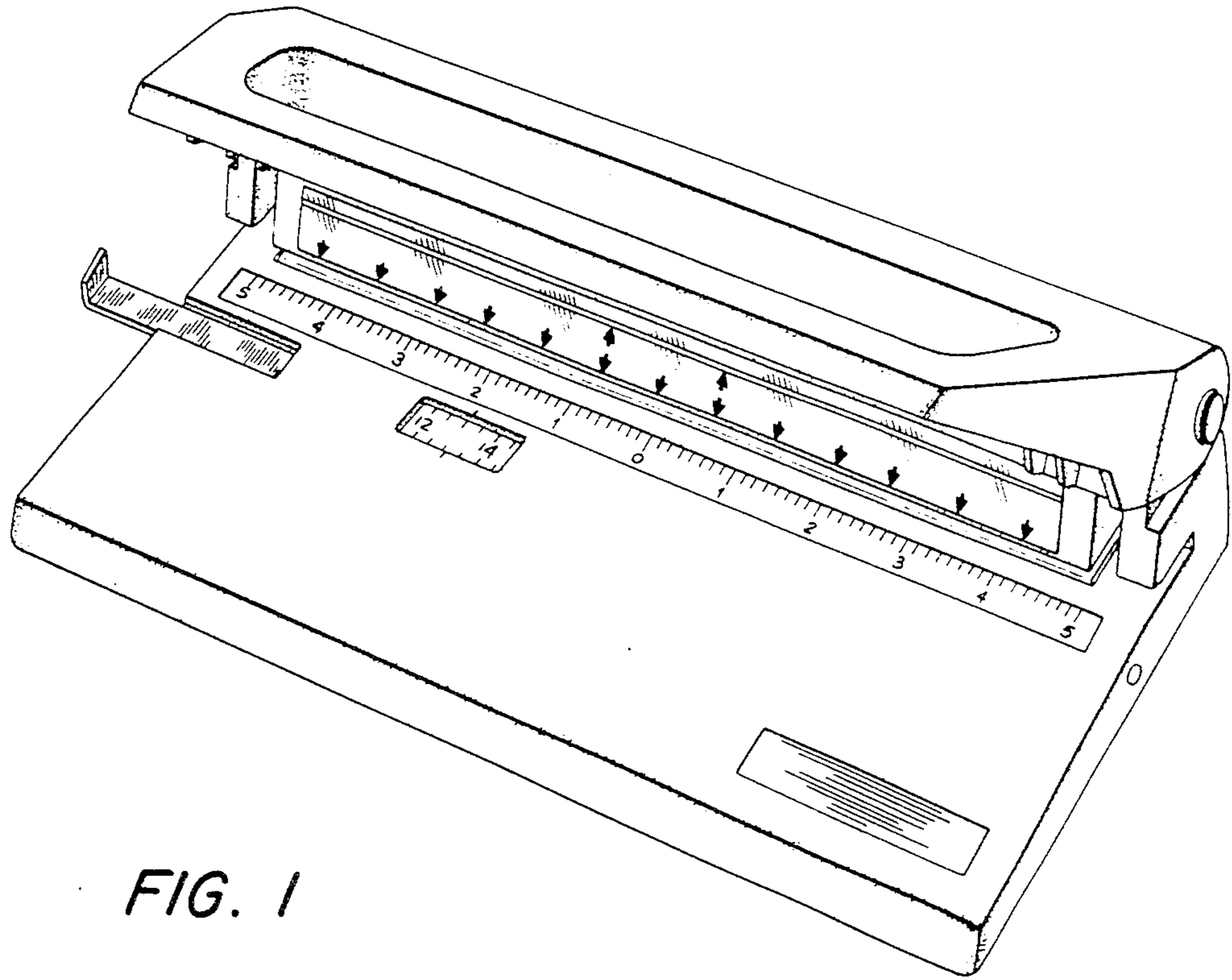


FIG. 1

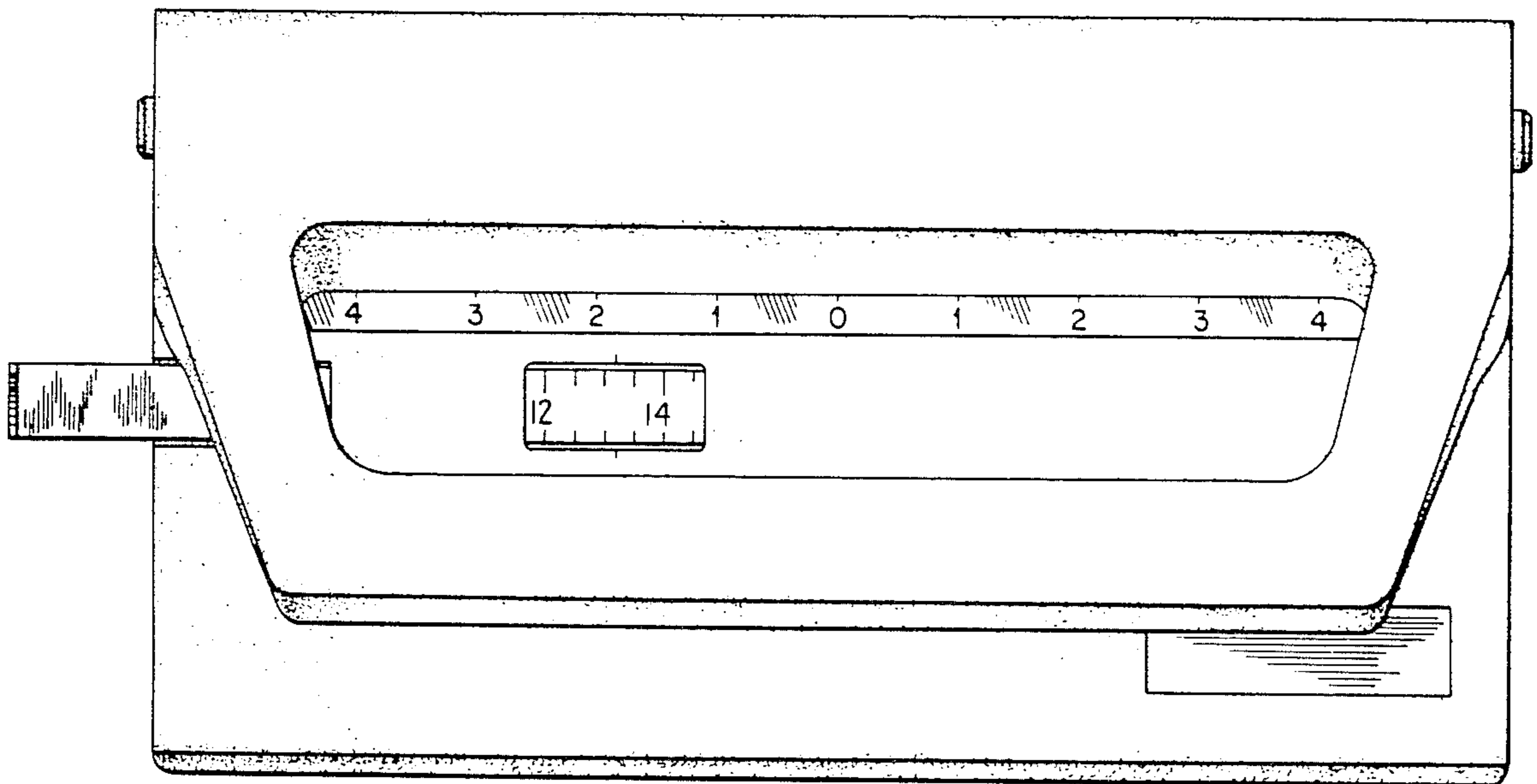


FIG. 2

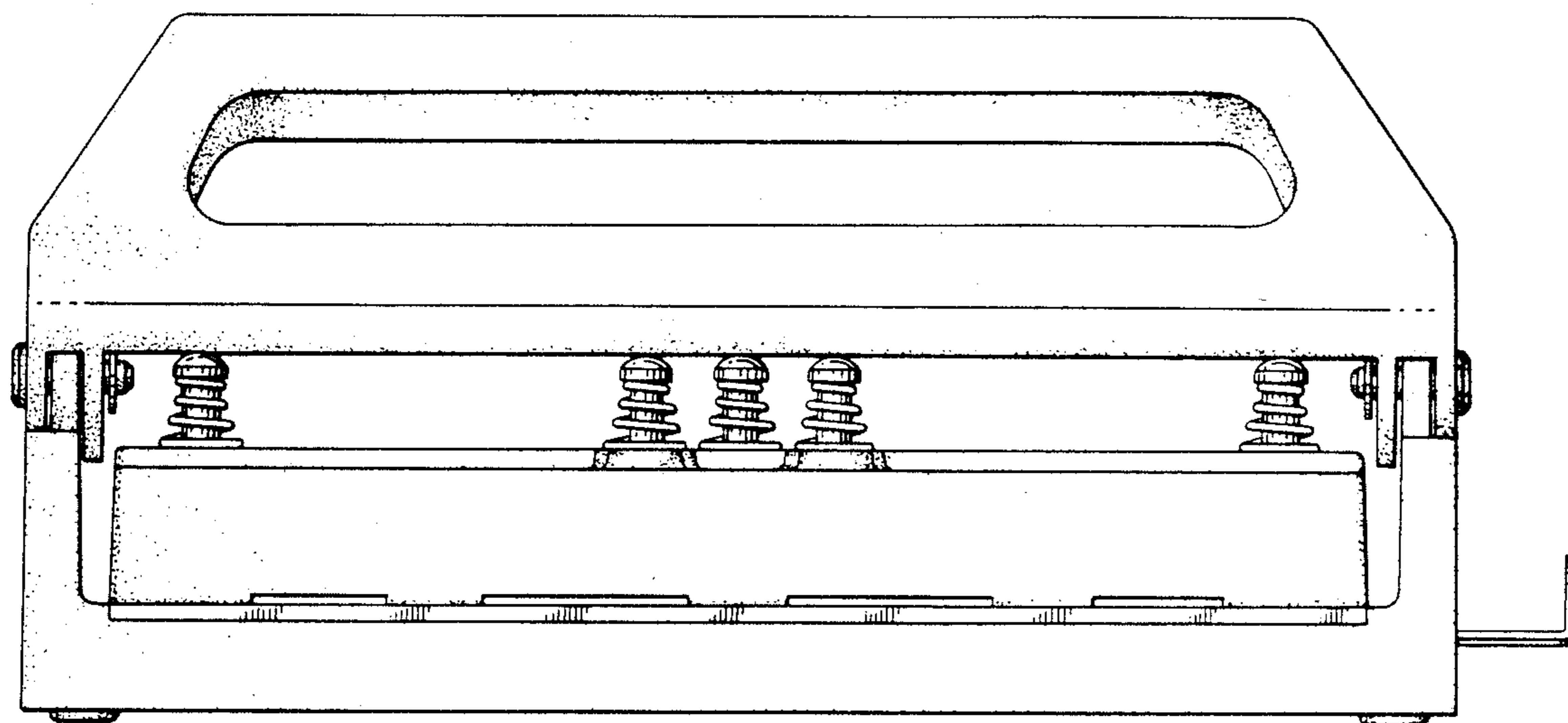


FIG. 3