

[54] SHEET FEEDER FOR PRINTER

[76] Inventor: Masanori Hashimoto, Hills Terao  
2-308 4-24 Nishiterao, Kanagawa-ku,  
Yokohama-shi, Kanagawa, Japan

[\*\*] Term: 14 Years

[21] Appl. No.: 452,312

[22] Filed: Dec. 22, 1982

[30] Foreign Application Priority Data

Jun. 22, 1982 [JP] Japan ..... 57-027865

[52] U.S. Cl. .... D18/22; D14/114;  
D18/12

[58] Field of Search ..... D14/111; D18/13, 22,  
D18/23, 12; 400/625, 616, 616.1, 616.2, 642,  
646; 271/171, 240

[56] References Cited

U.S. PATENT DOCUMENTS

D. 251,492 4/1979 Kneale et al. .... D14/111

OTHER PUBLICATIONS

Computer Design, 6-1981, p. 24, NEC Printer Paper Feed.

Radio Shack TRS-80 TM Catalog RSC-3, ©1979, p. 16, TRS-80 TM Line Printer Paper Feed.

Primary Examiner—Susan J. Lucas  
Attorney, Agent, or Firm—Guy W. Shoup

[57] CLAIM

The ornamental design for a sheet feeder for printer, as shown and described.

DESCRIPTION

FIG. 1 is a front, top and left side perspective view of a sheet feeder for printer, showing my new design;  
FIG. 2 is a top plan view thereof;  
FIG. 3 is a front elevational view thereof;  
FIG. 4 is a right side elevational view thereof;  
FIG. 5 is a left side elevational view thereof;  
FIG. 6 is a rear elevational view thereof;  
FIG. 7 is a bottom plan view thereof.

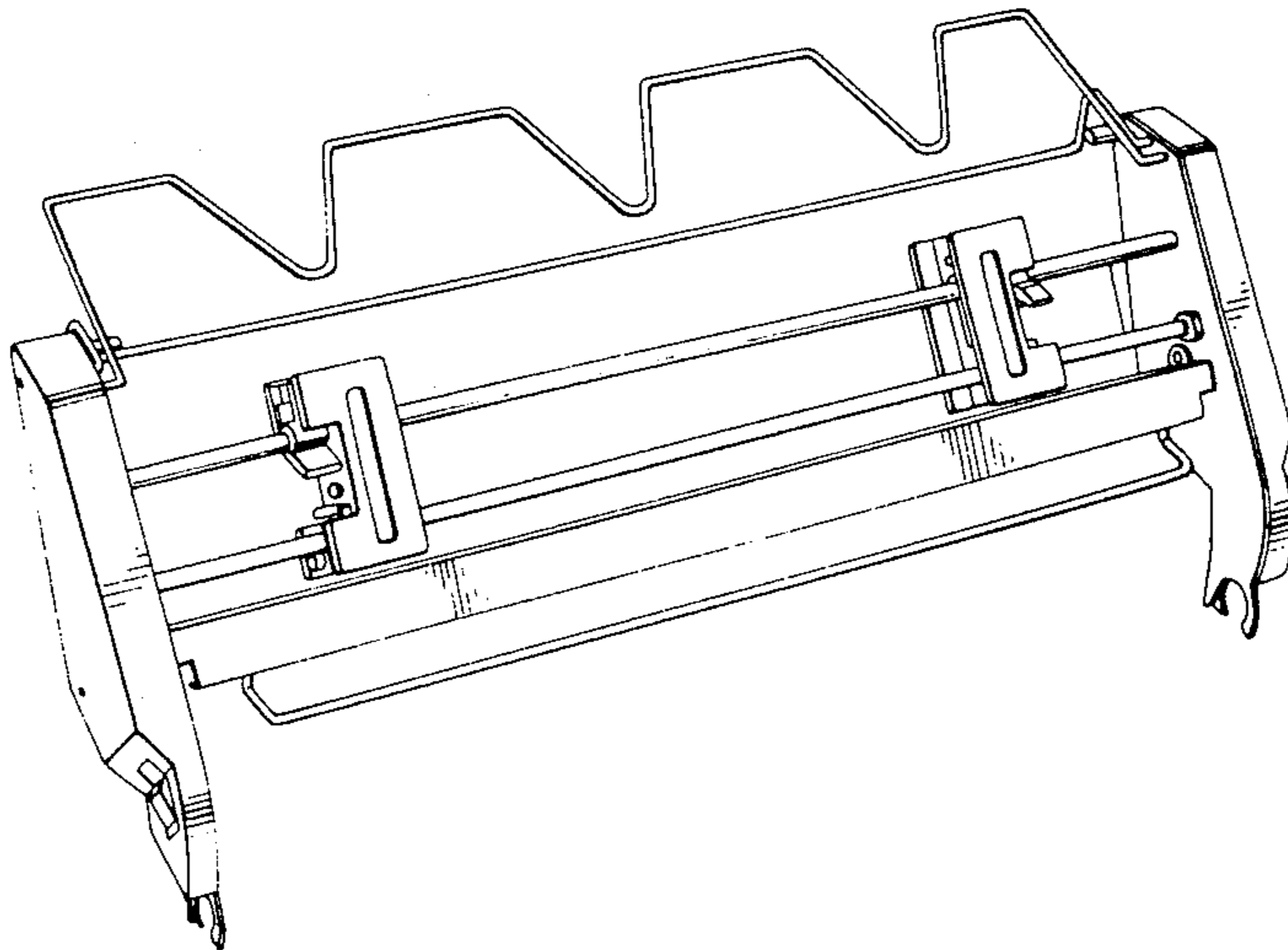


FIG. 1

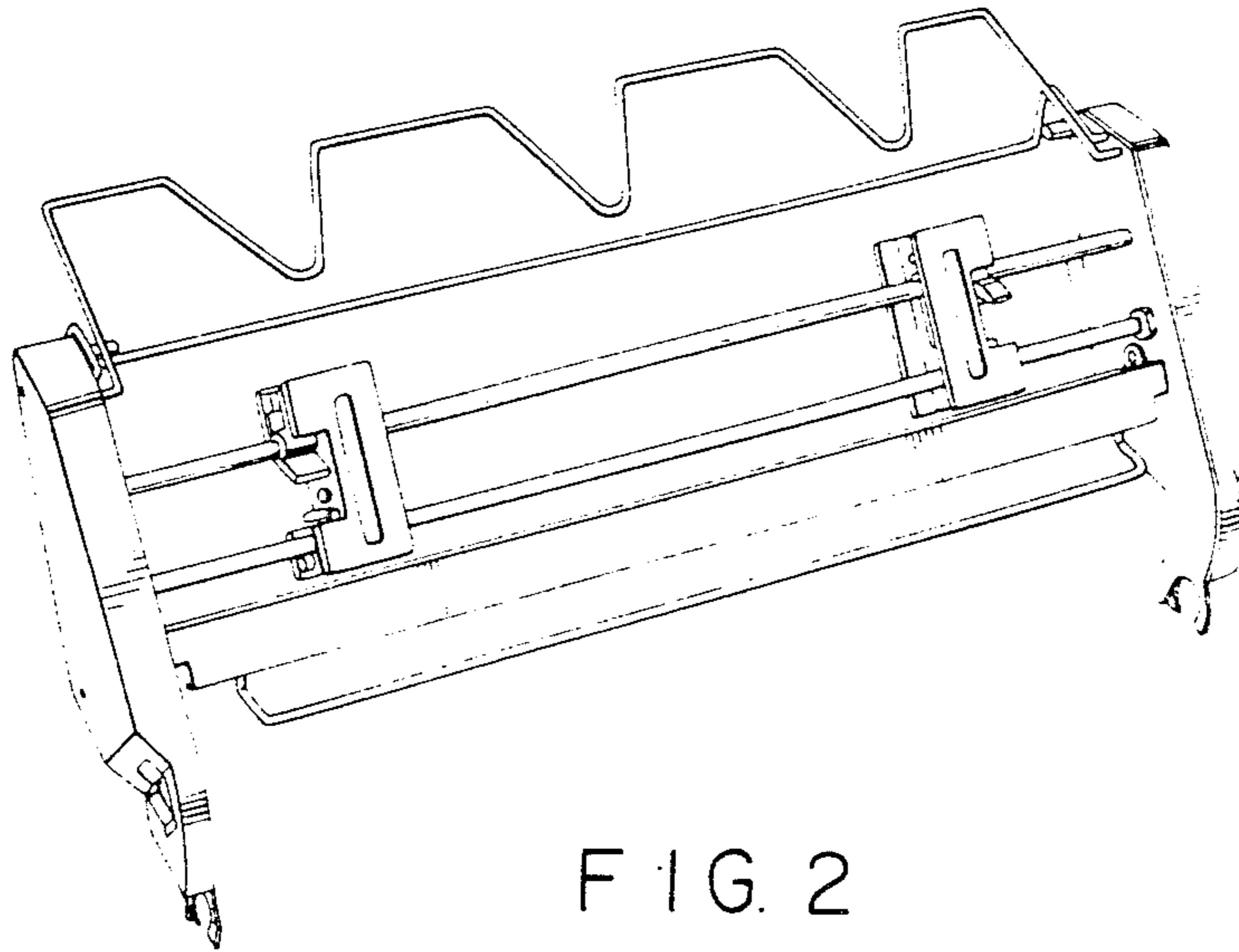


FIG. 2

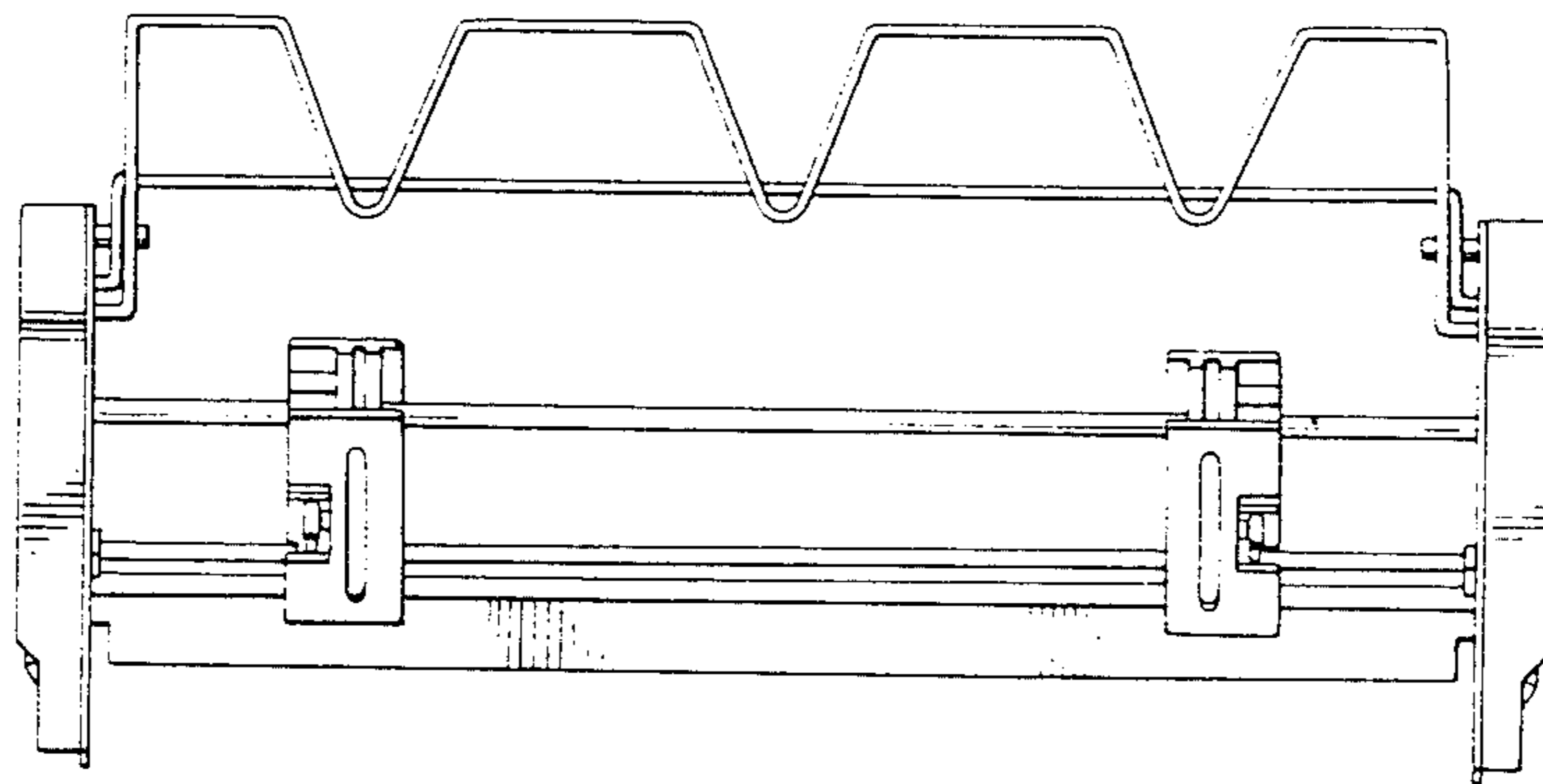


FIG. 3

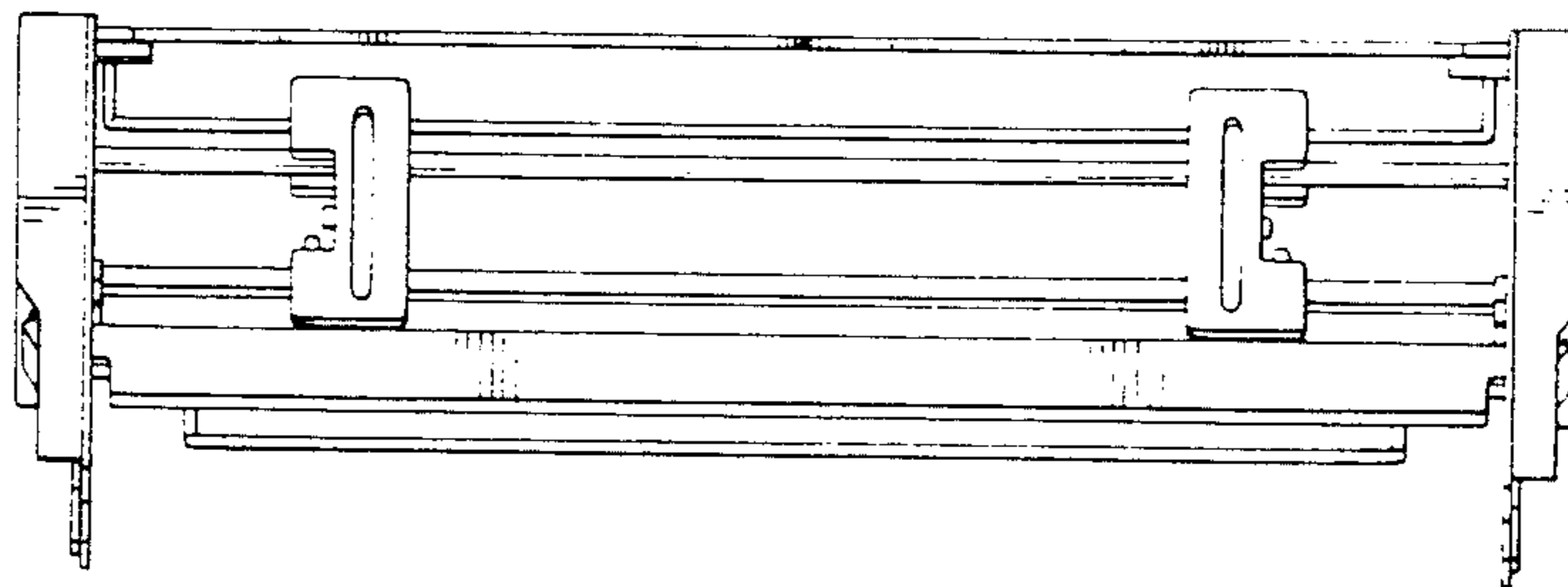


FIG. 4

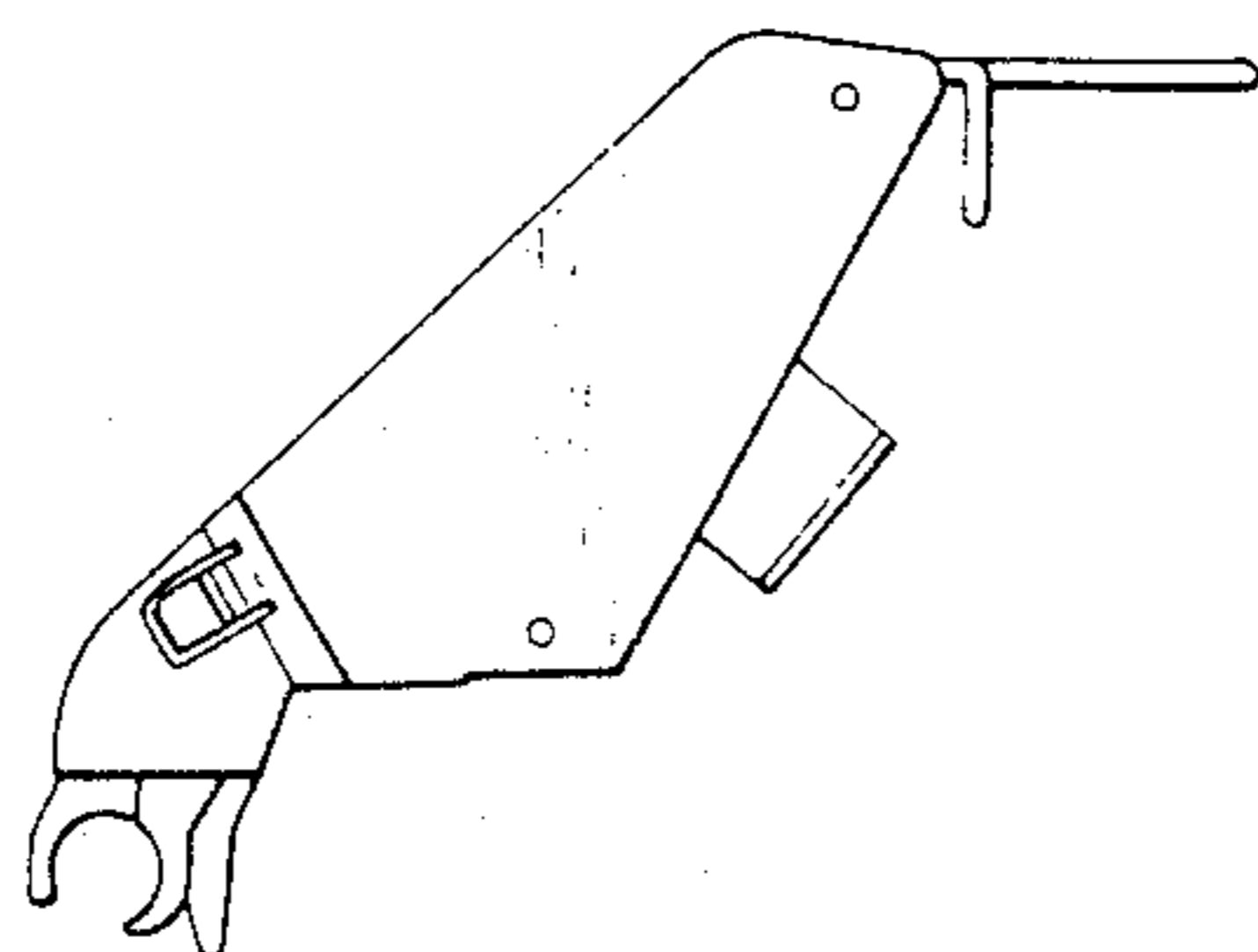


FIG. 5

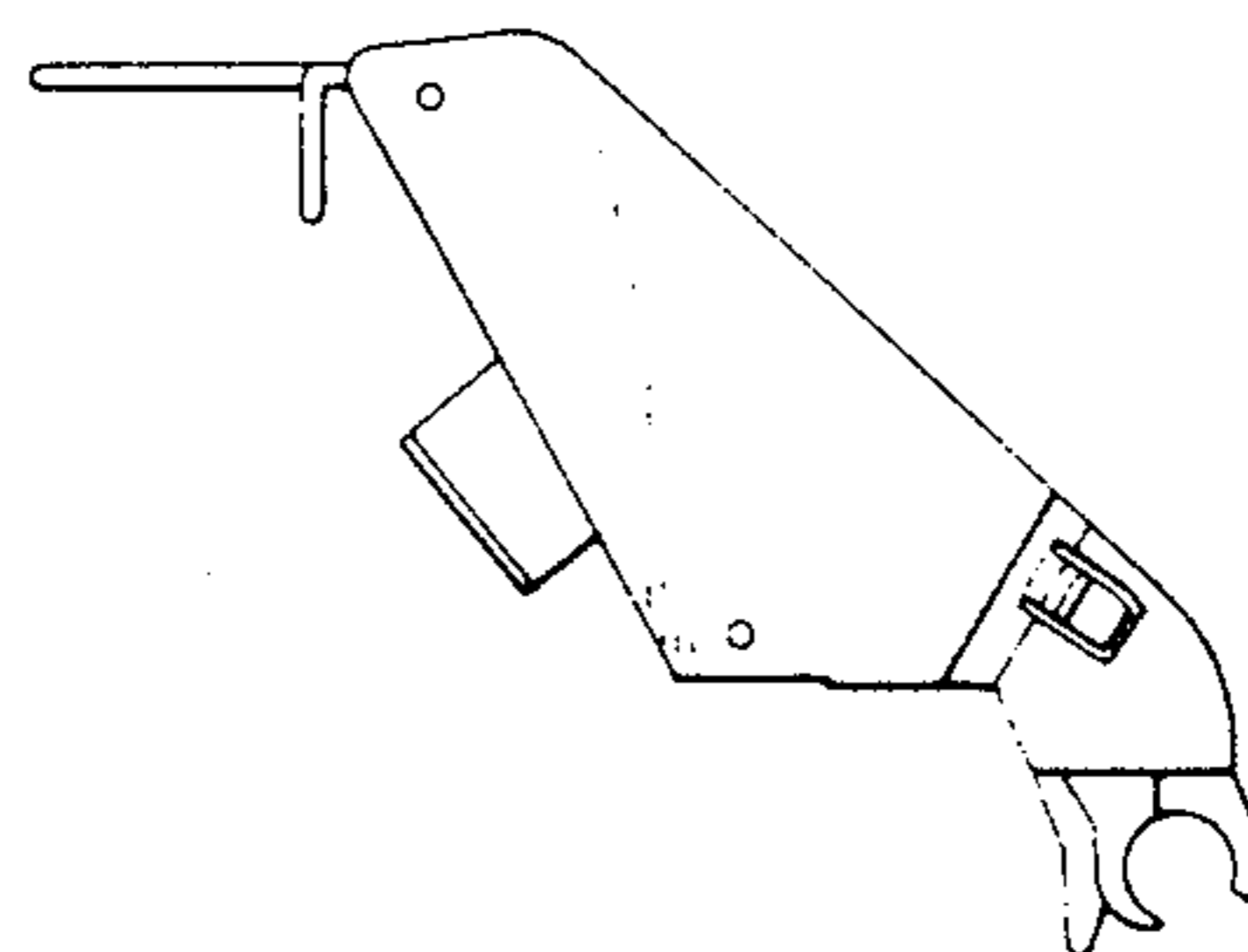


FIG. 6

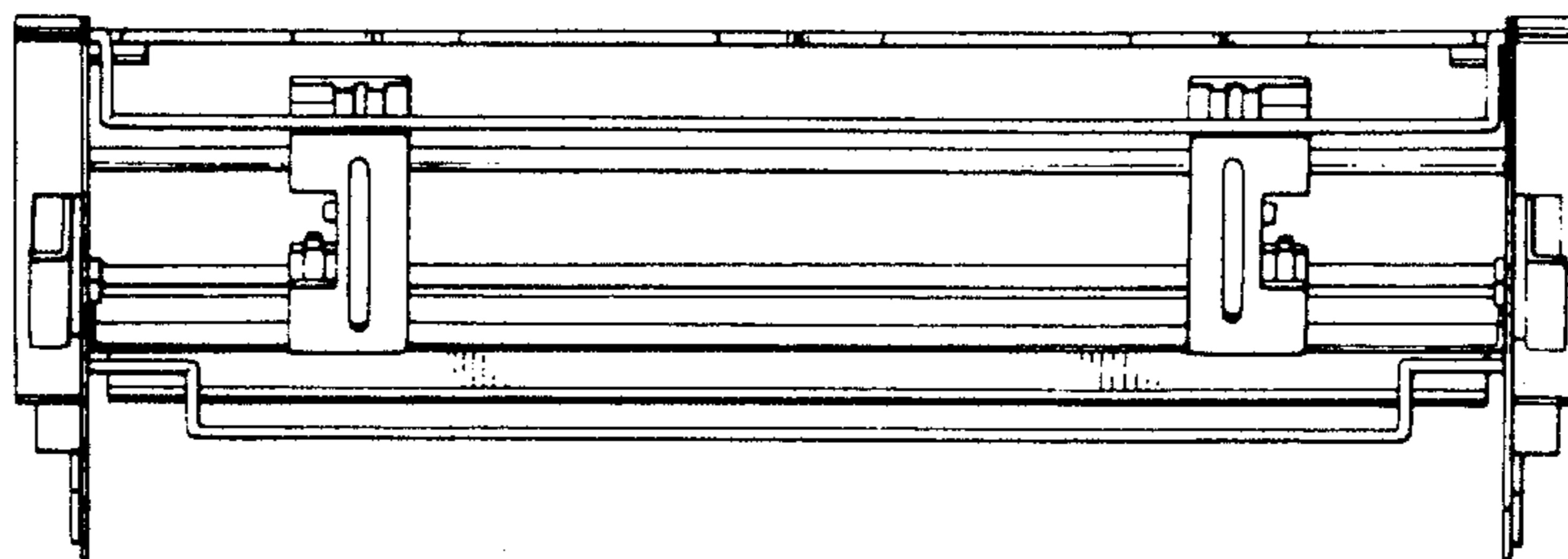


FIG. 7

