

[54] CAMERA SUPPORT BRACKET

[75] Inventors: Ehsan Sadre-Marandi, Chattanooga; Harry L. O. Smith, Cleveland, both of Tenn.

[73] Assignee: Beattie Systems, Inc., Cleveland, Tenn.

[**] Term: 14 Years

[21] Appl. No.: 539,791

[22] Filed: Oct. 7, 1983

[52] U.S. Cl. D16/44; D10/38; D16/47

[58] Field of Search D16/44, 47, 10, 38; 354/293, 295, 81-82

[56] References Cited

U.S. PATENT DOCUMENTS

D. 134,016	10/1942	Mais	D16/44
D. 247,297	2/1978	Adams	D16/44 X
D. 268,270	3/1983	Östlund	D16/47
819,110	5/1906	Wollensak	354/295

3,515,044	6/1970	Becker	354/295
3,575,098	4/1971	Jones	354/293
3,589,260	6/1971	Ferra	354/293
3,650,195	3/1972	Jones	354/293
4,063,263	12/1977	Krewalk	354/295 X

OTHER PUBLICATIONS

35 mm Photography-12/83-p. 11-Disc Camera at bottom right.

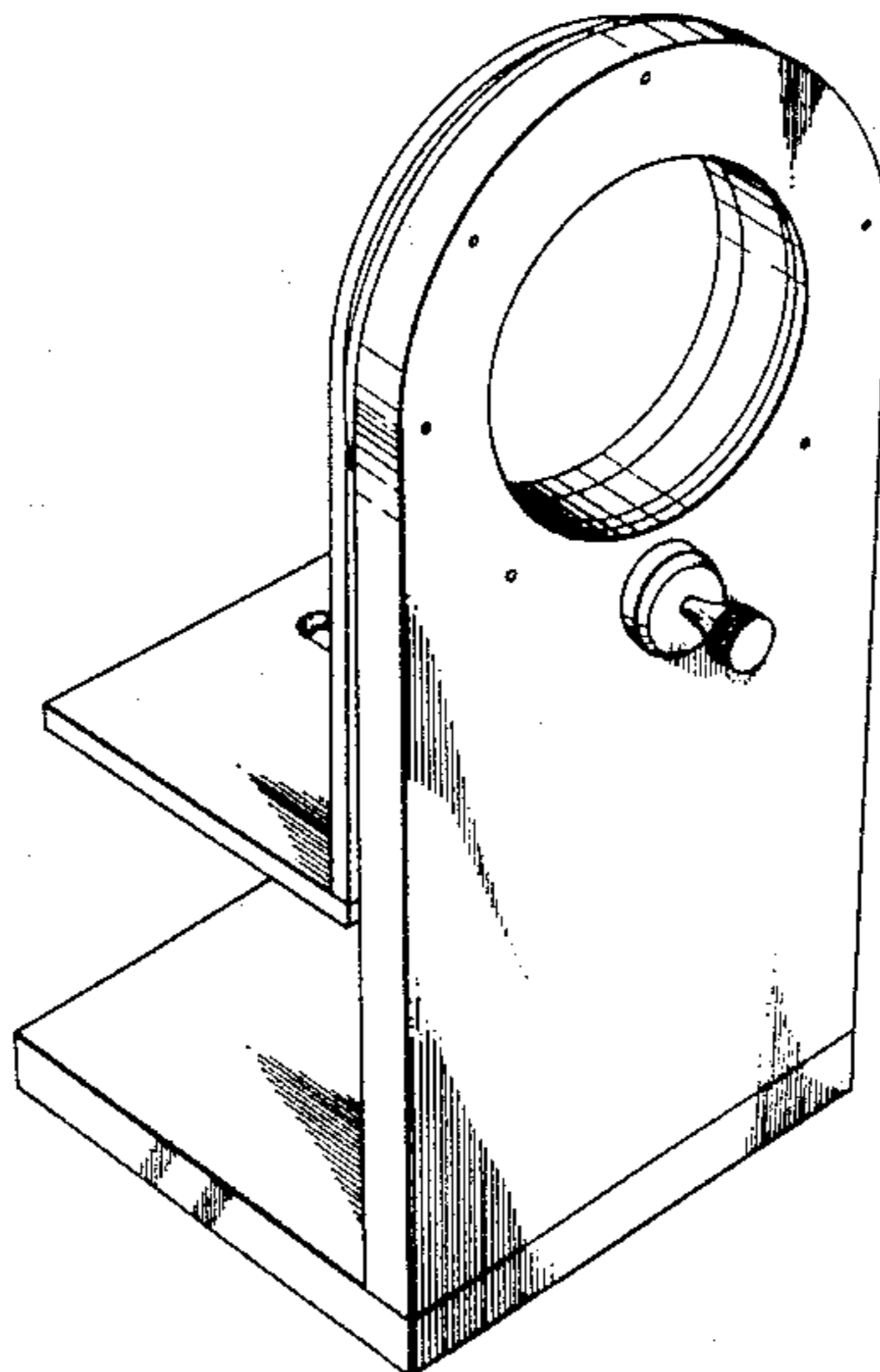
Primary Examiner—Nelson G. Holtje
Attorney, Agent, or Firm—Alan Ruderman

[57] CLAIM

The ornamental design for a camera support bracket, substantially as shown and described.

DESCRIPTION

FIG. 1 is a front-left perspective view of a camera support bracket showing our new design; FIG. 2 is a right side elevational view thereof; FIG. 3 is a rear elevational view thereof; FIG. 4 is a front elevational view thereof; FIG. 5 is a top plan view thereof; and FIG. 6 is a bottom plan view thereof.



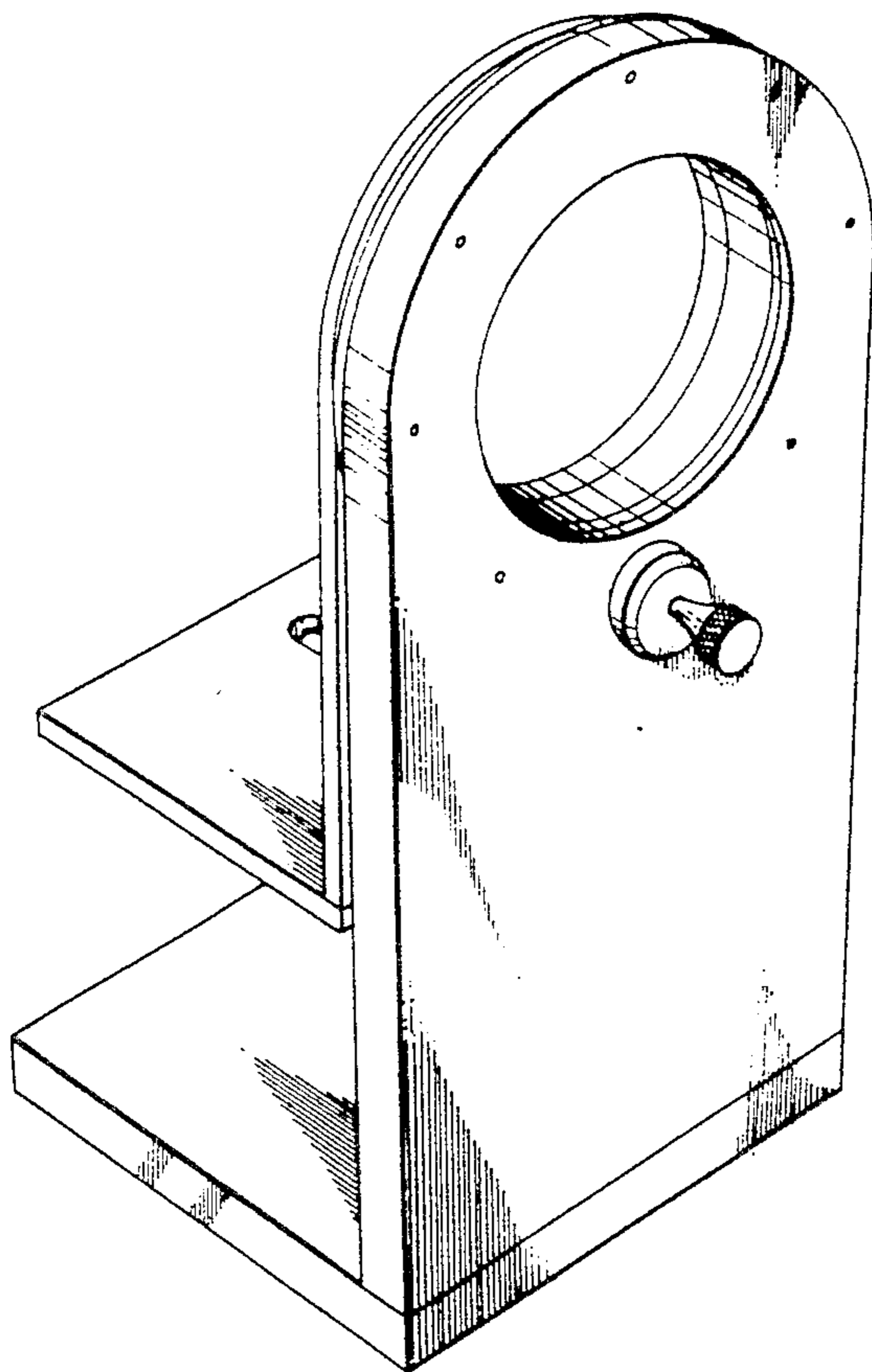


FIG. 1

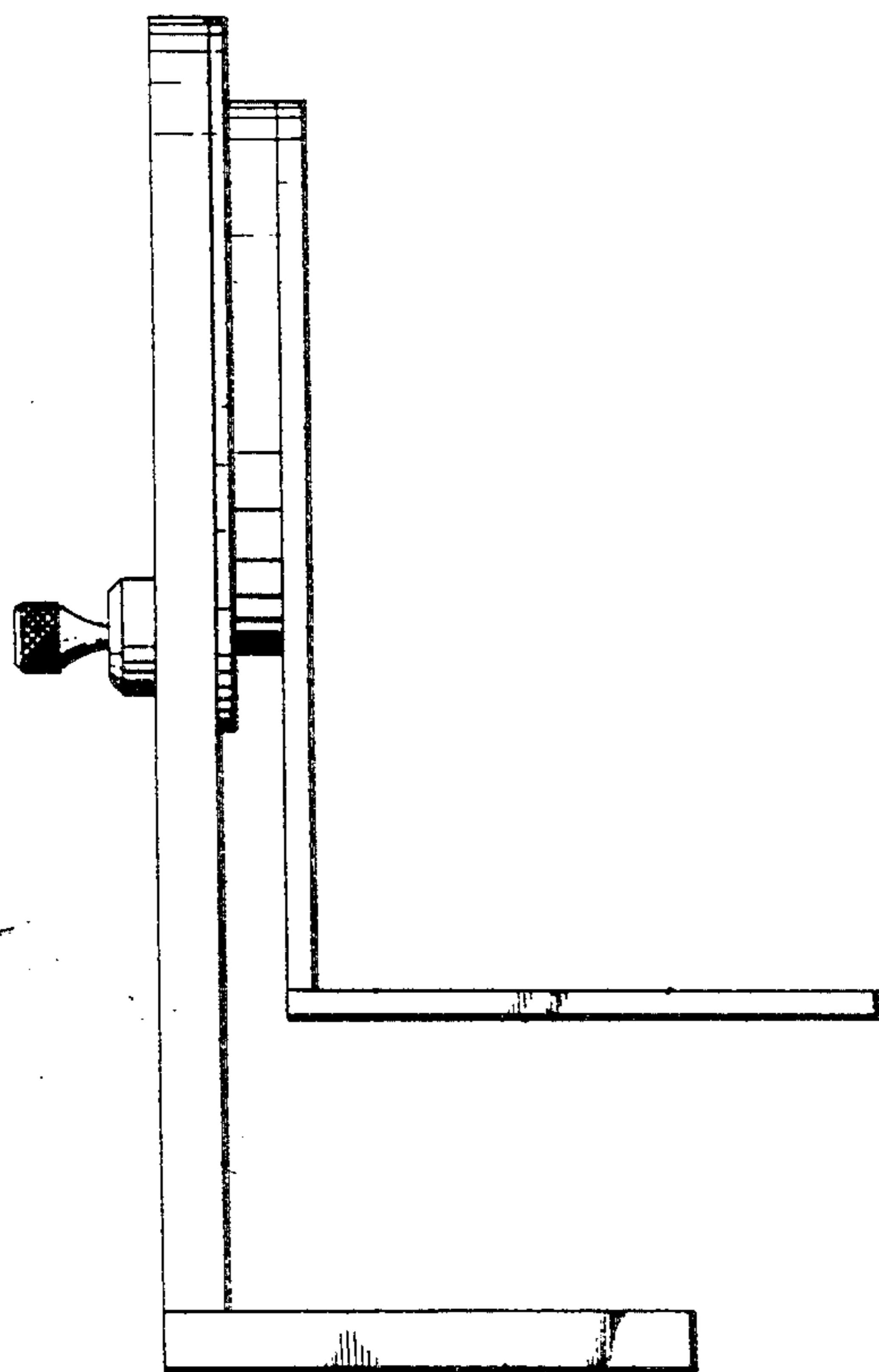


FIG. 2

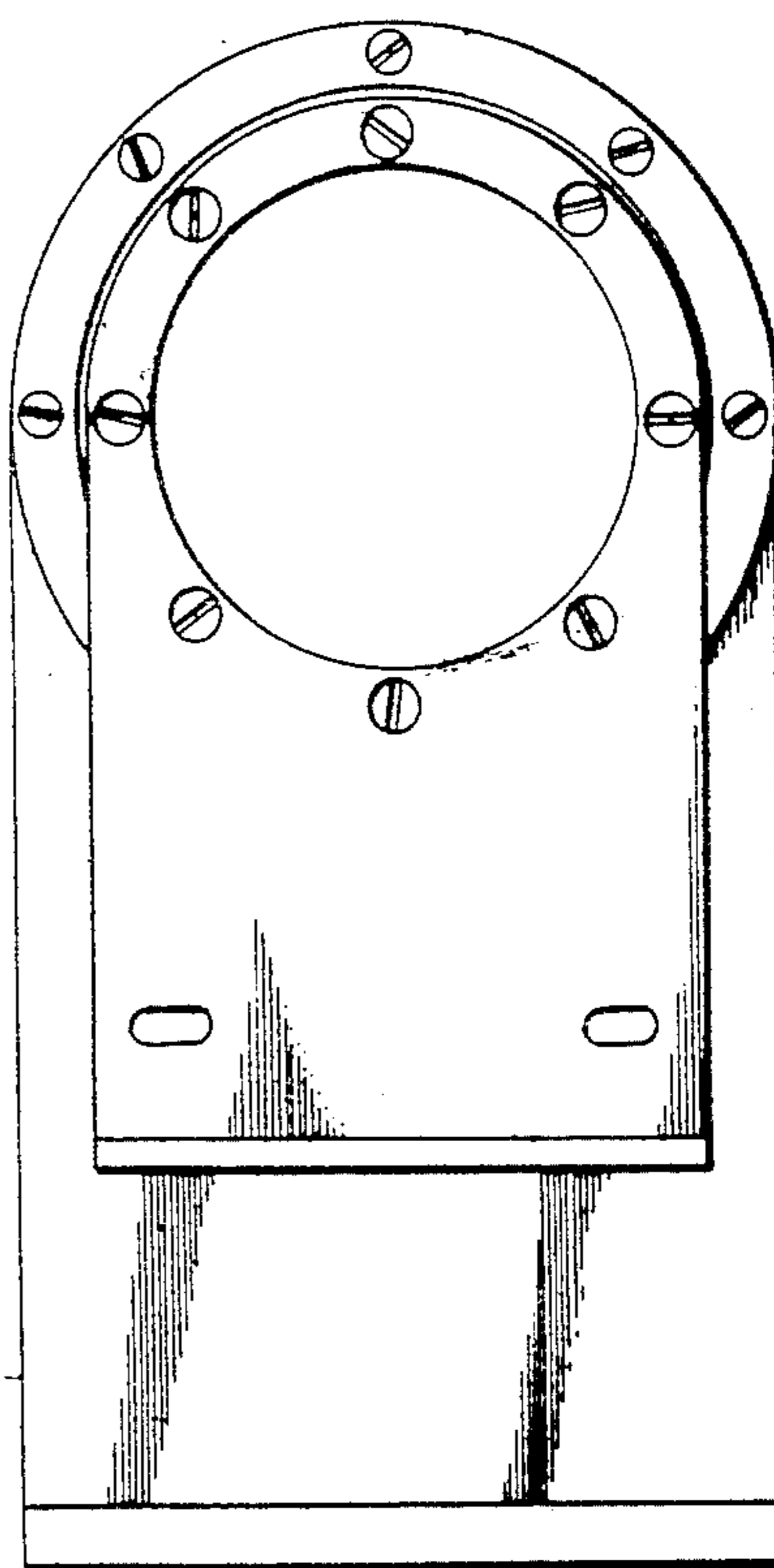


FIG. 3

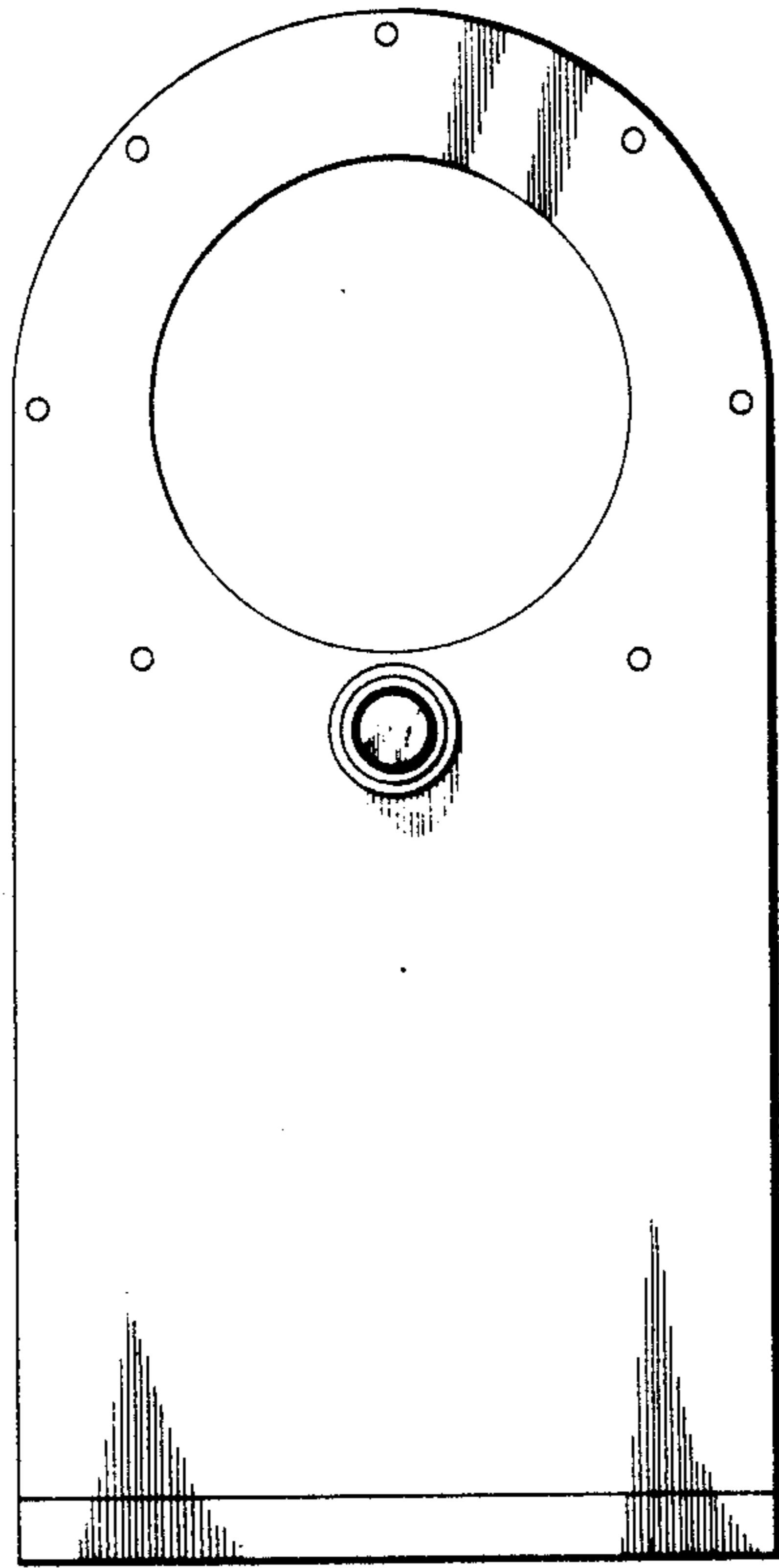


FIG. 4

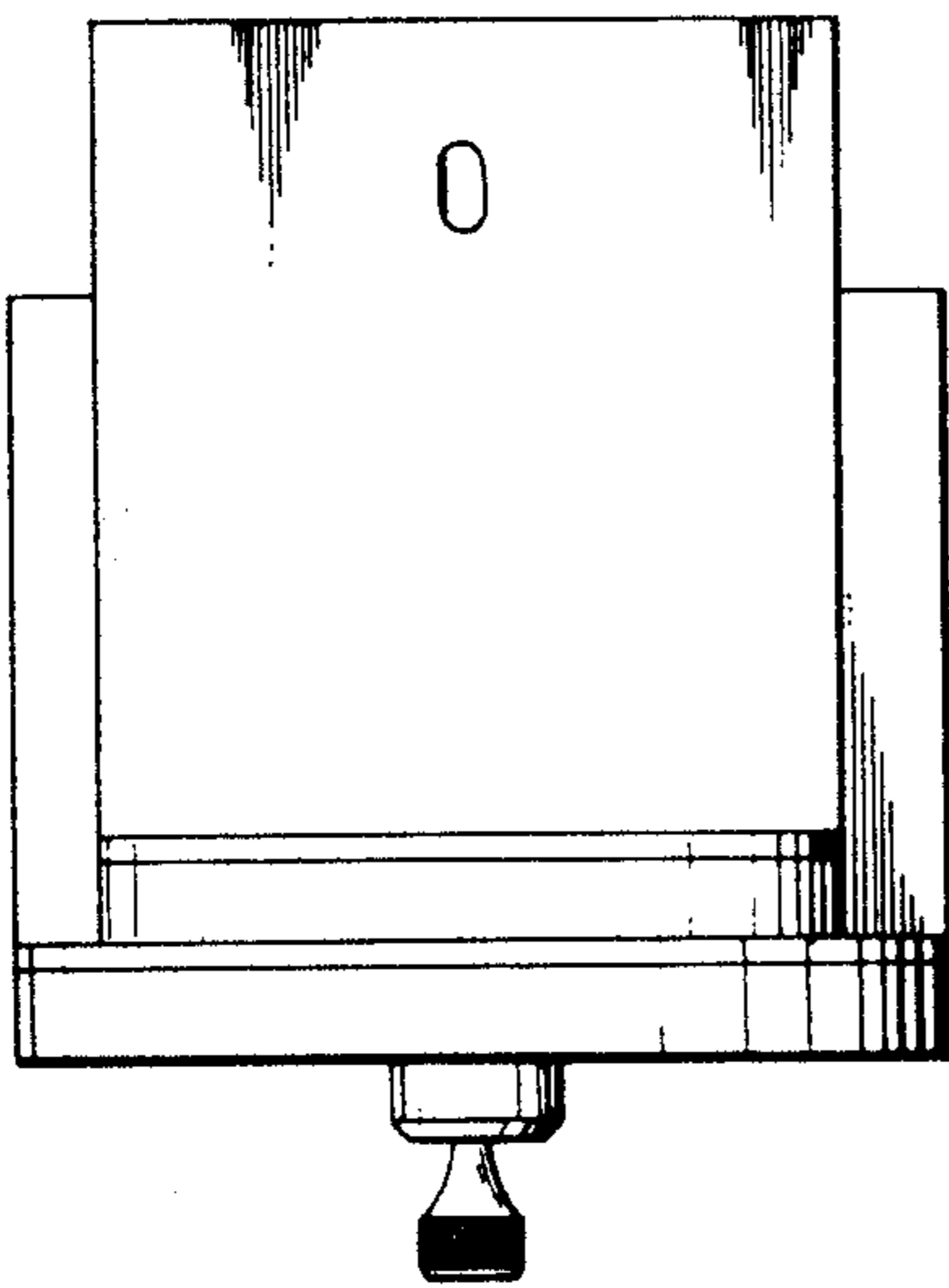


FIG. 5

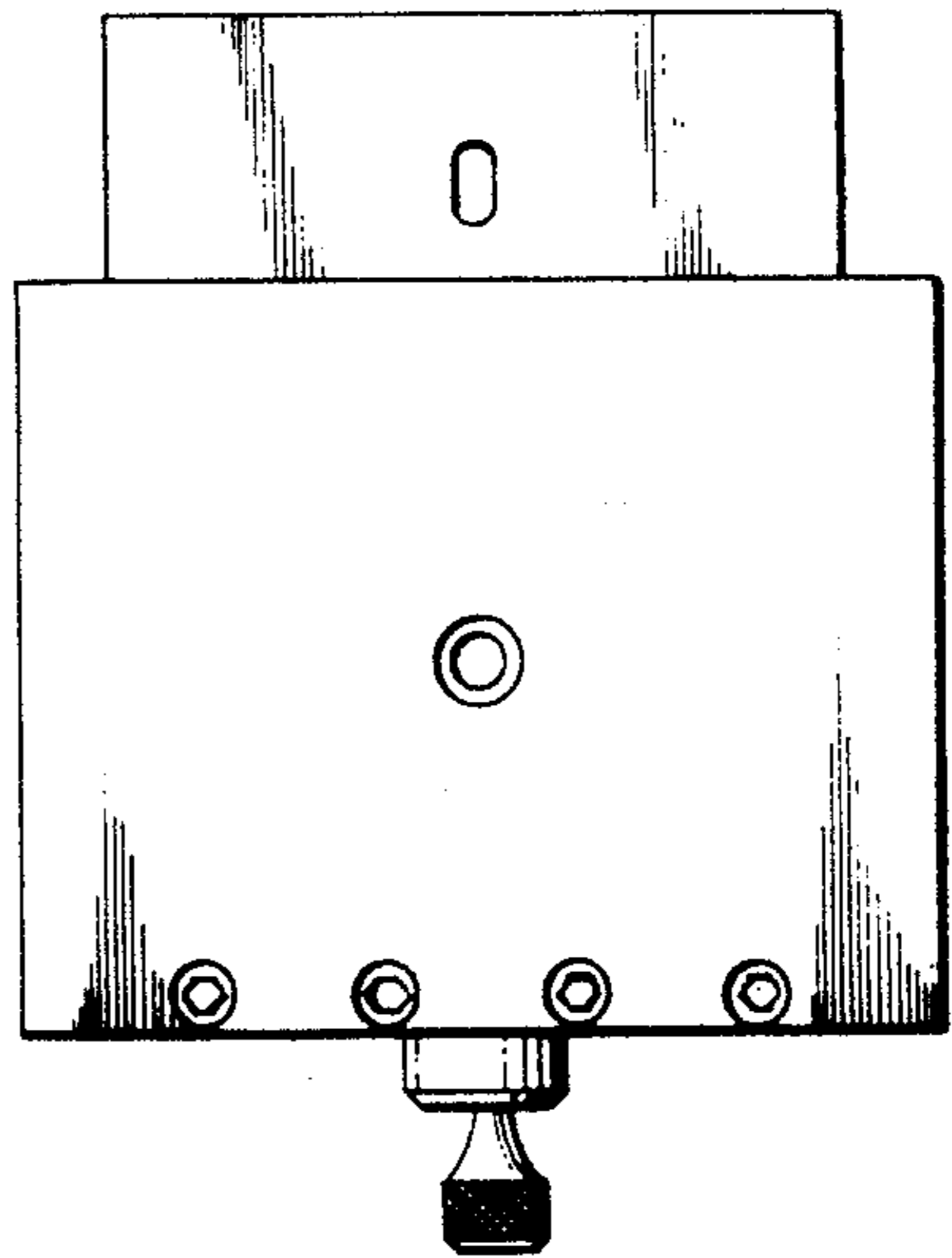


FIG. 6