

[54] SEWING MACHINE OR SIMILAR ARTICLE

[75] Inventor: Thomas W. David, Brooklyn, N.Y.

[73] Assignee: The Singer Company, Stamford, Conn.

[\*\*] Term: 14 Years

[21] Appl. No.: 514,720

[22] Filed: Jul. 18, 1983

[52] U.S. Cl. .... D15/69; D15/68

[58] Field of Search ..... D15/68-70; 112/63, 258-261

[56] References Cited

U.S. PATENT DOCUMENTS

D. 200,030	1/1965	Creter .....	D15/69
D. 214,853	8/1969	Rosenfeld .....	D15/69
D. 241,076	8/1976	Genaro .....	D15/69
D. 253,347	11/1979	Felix .....	D15/70
D. 253,705	12/1979	Felix et al. ....	D15/69
D. 274,910	7/1984	Szostak et al. ....	D15/69
3,557,732	1/1971	Simon et al. ....	112/258
3,990,375	11/1976	Adams .....	112/258

FOREIGN PATENT DOCUMENTS

489014	8/1978	Japan .
545805	9/1980	Japan .
546007	9/1980	Japan .
355148	3/1981	Japan .

OTHER PUBLICATIONS

House & Garden Jun. 1981 p. 70 Singer Sewing Machine Model 834.

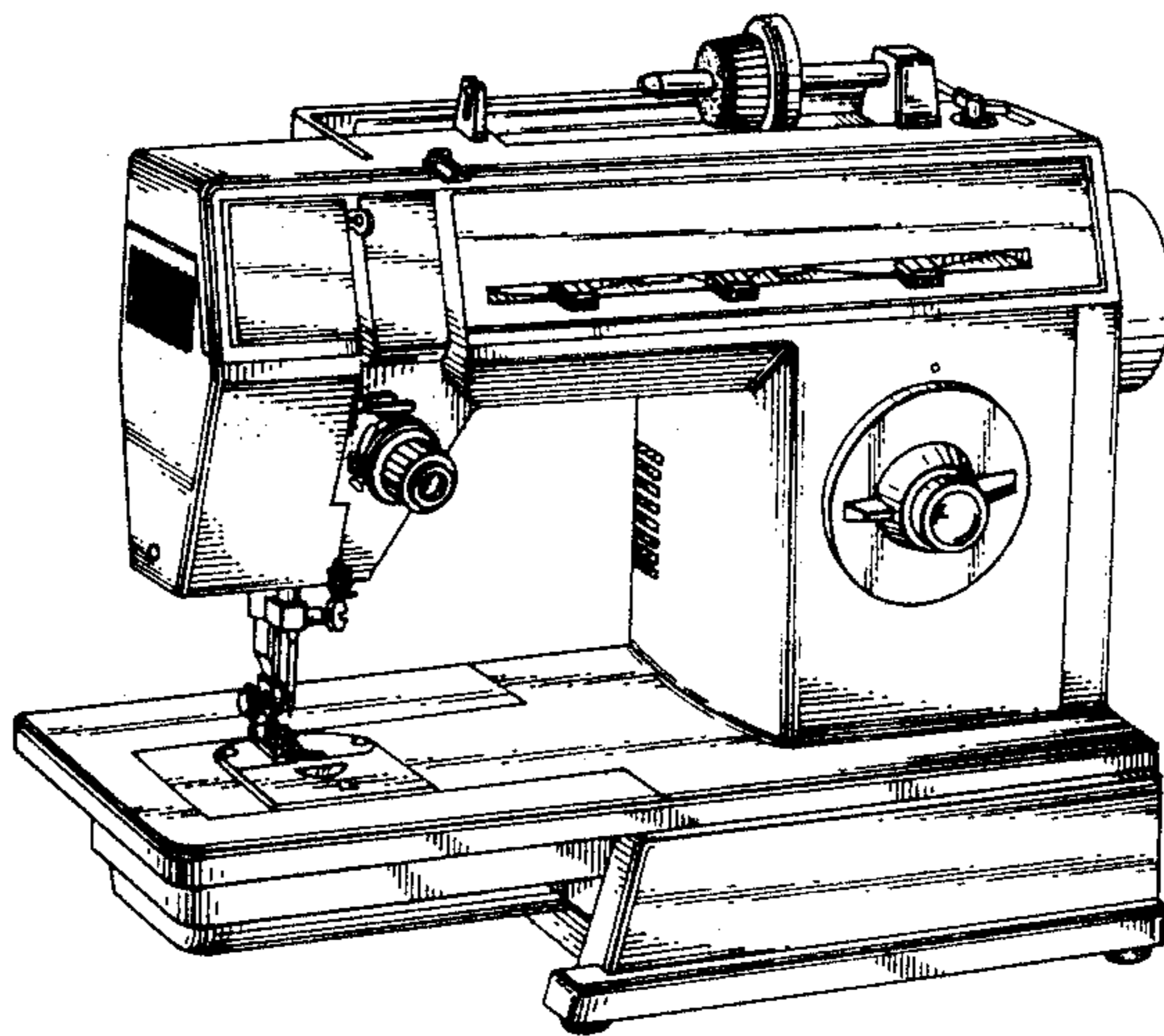
Primary Examiner—Bernard Ansher  
Assistant Examiner—Linda Titolo  
Attorney, Agent, or Firm—Robert E. Smith; Edward L. Bell

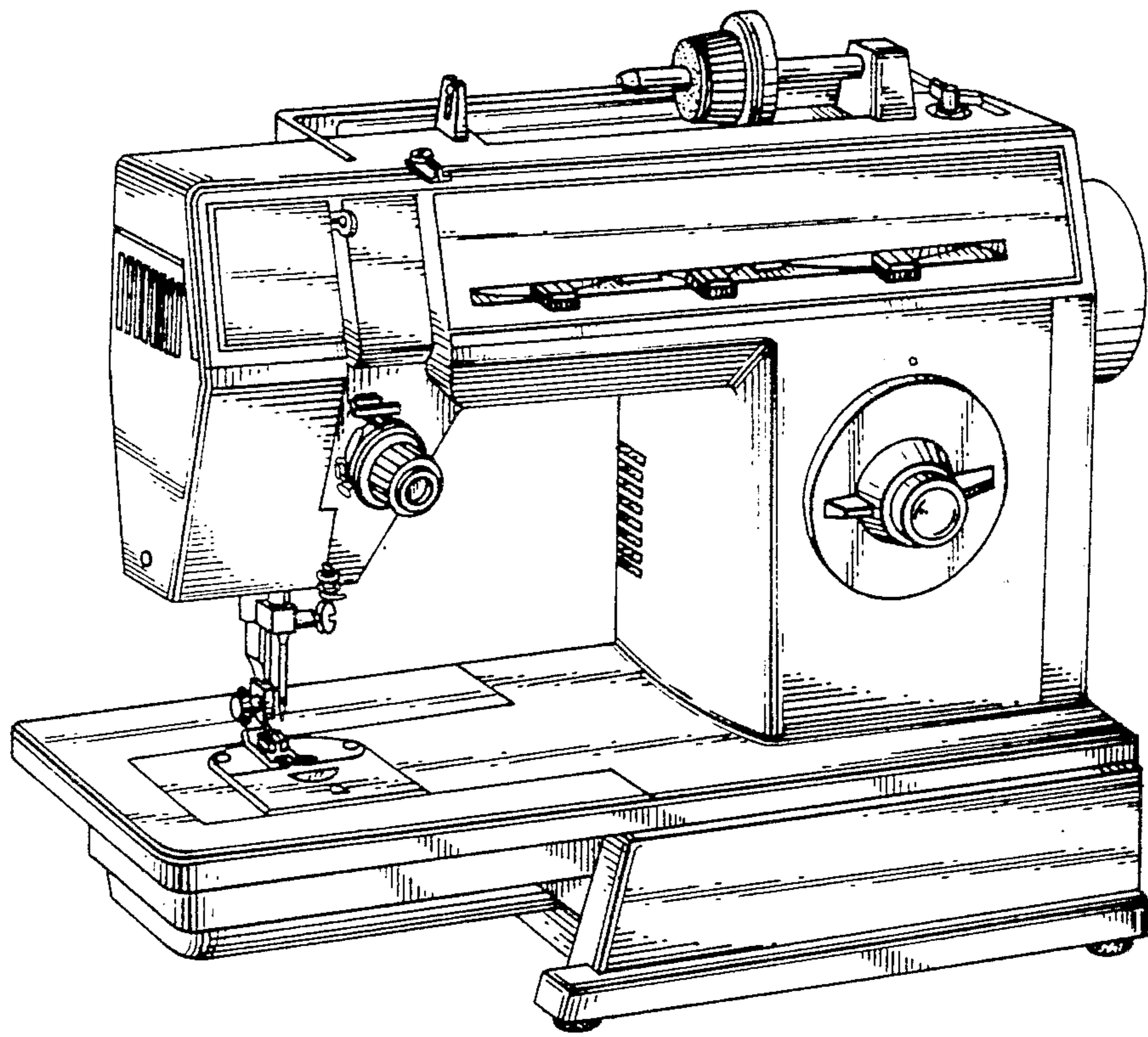
[57] CLAIM

The ornamental design for a sewing machine or similar article, substantially as shown.

DESCRIPTION

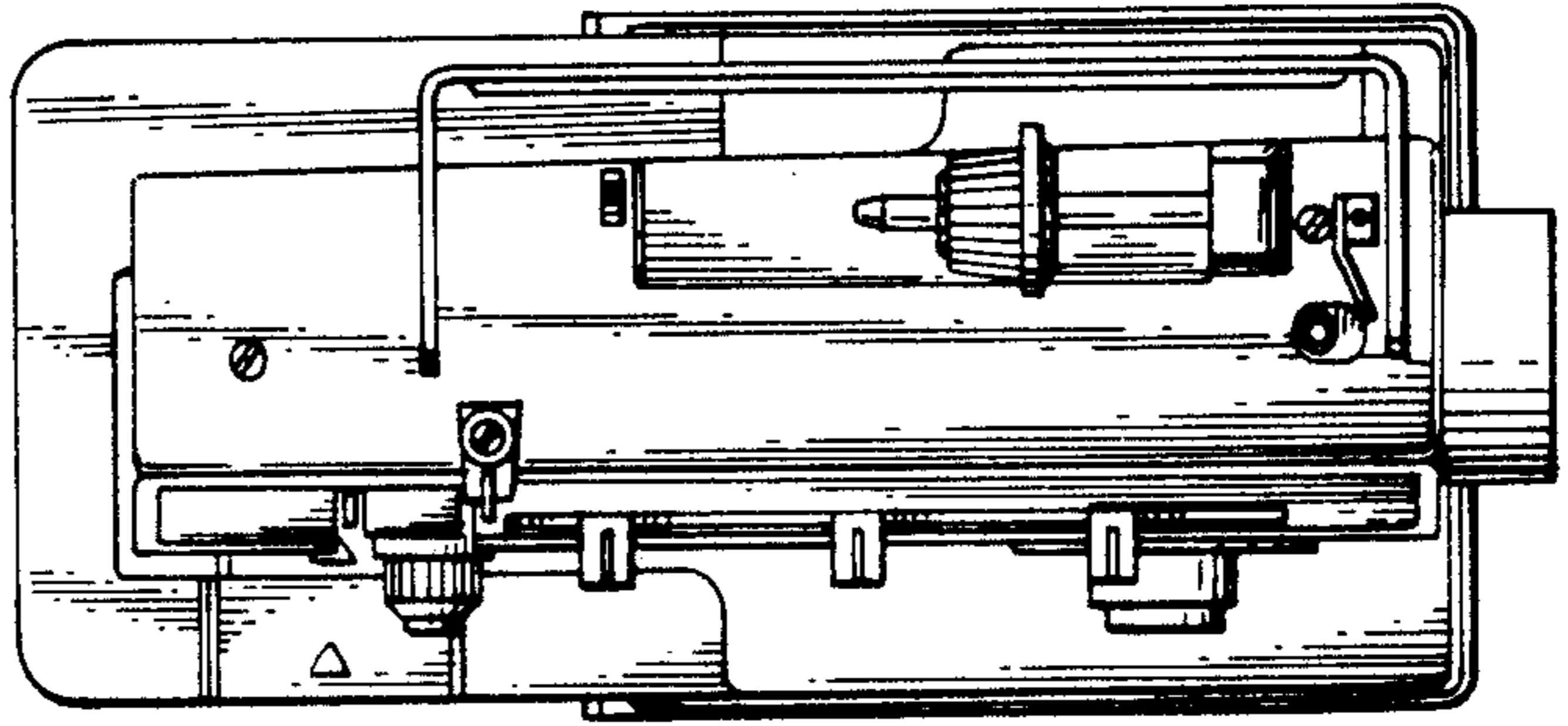
FIG. 1 is a front perspective view of a sewing machine showing my new design;  
FIG. 2 is a front elevational view thereof;  
FIG. 3 is a rear elevational view thereof;  
FIG. 4 is a left side elevational view thereof;  
FIG. 5 is a right side elevational view thereof;  
FIG. 6 is a top plan view thereof;  
FIG. 7 is a bottom plan view thereof.



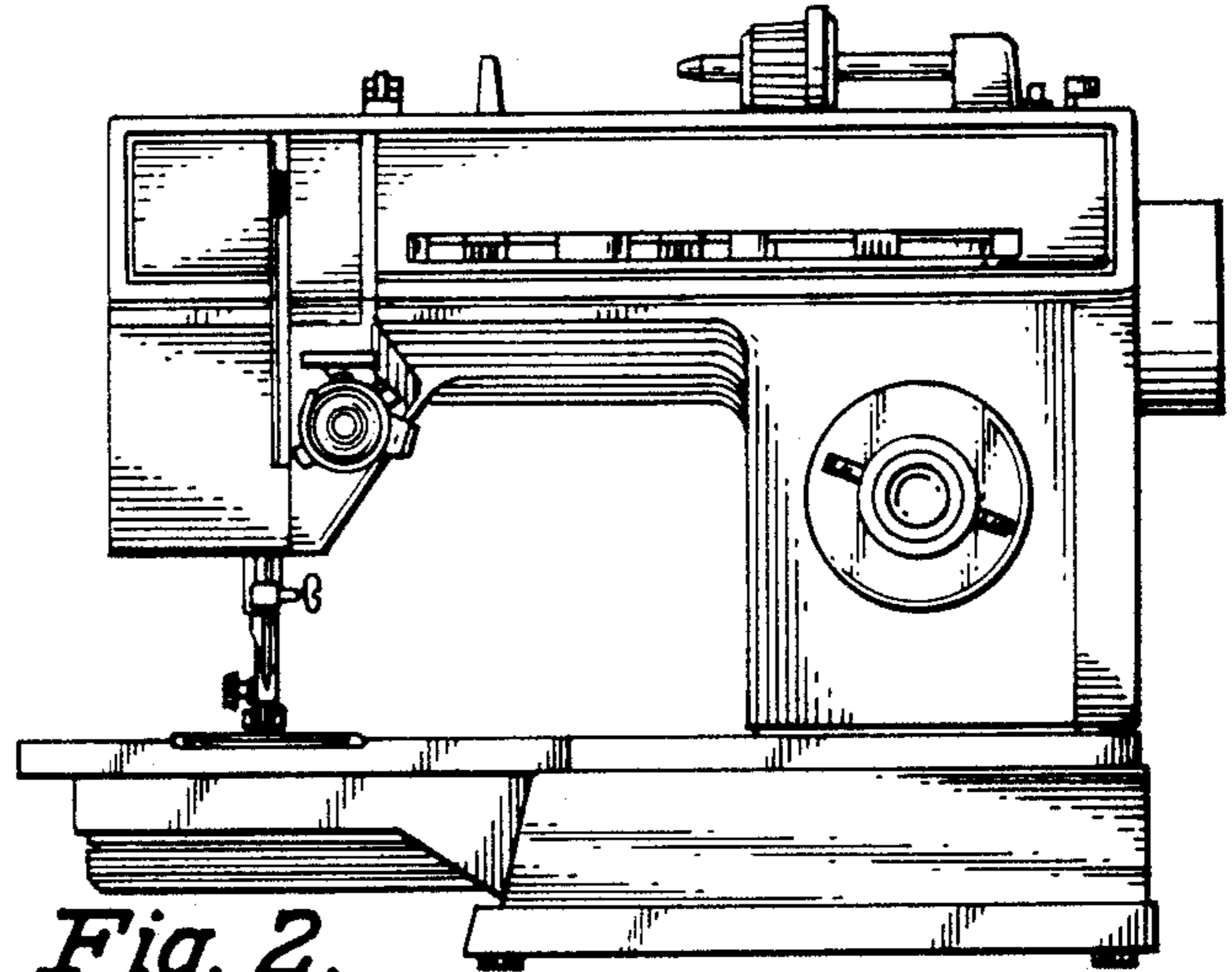
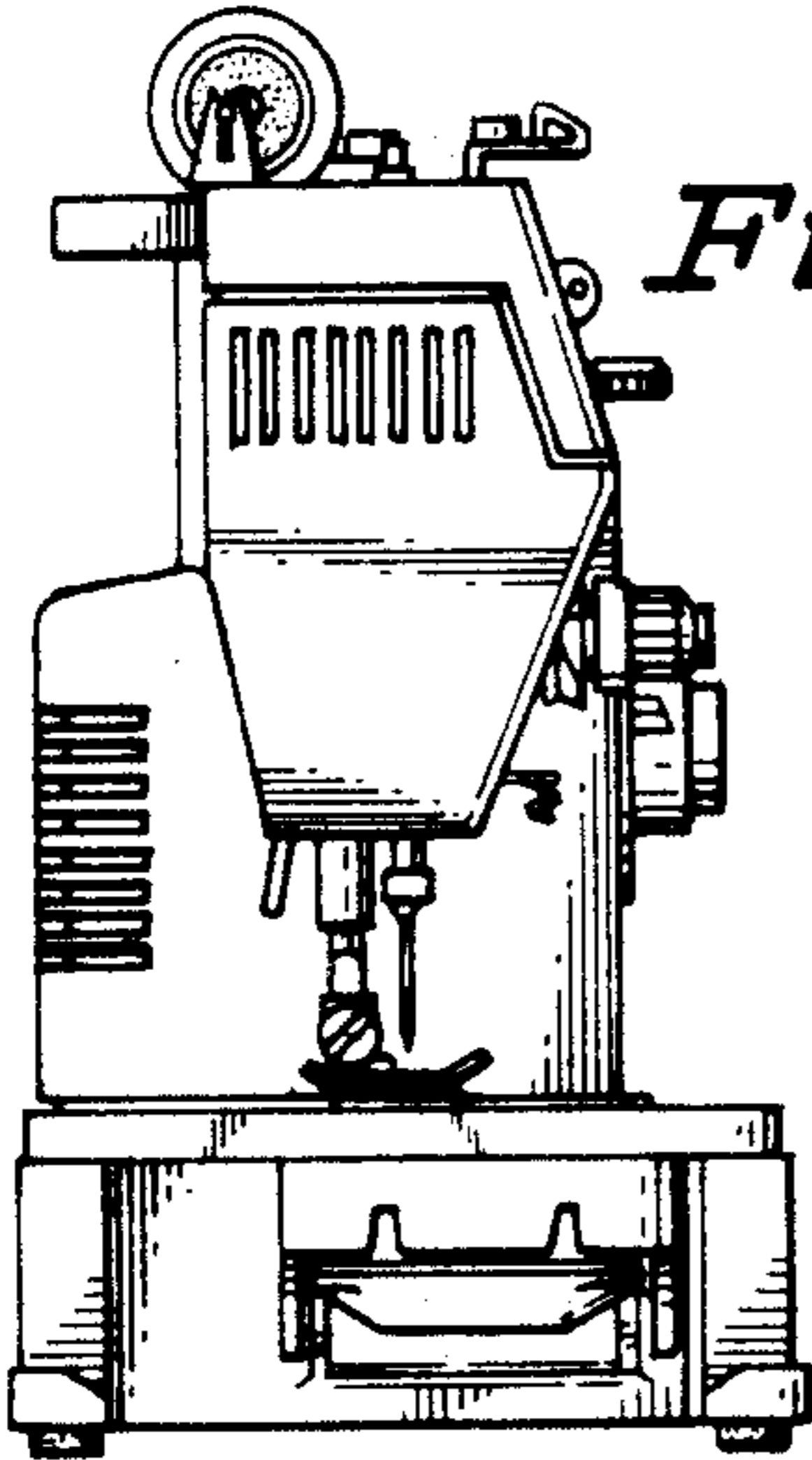


*Fig. 1.*

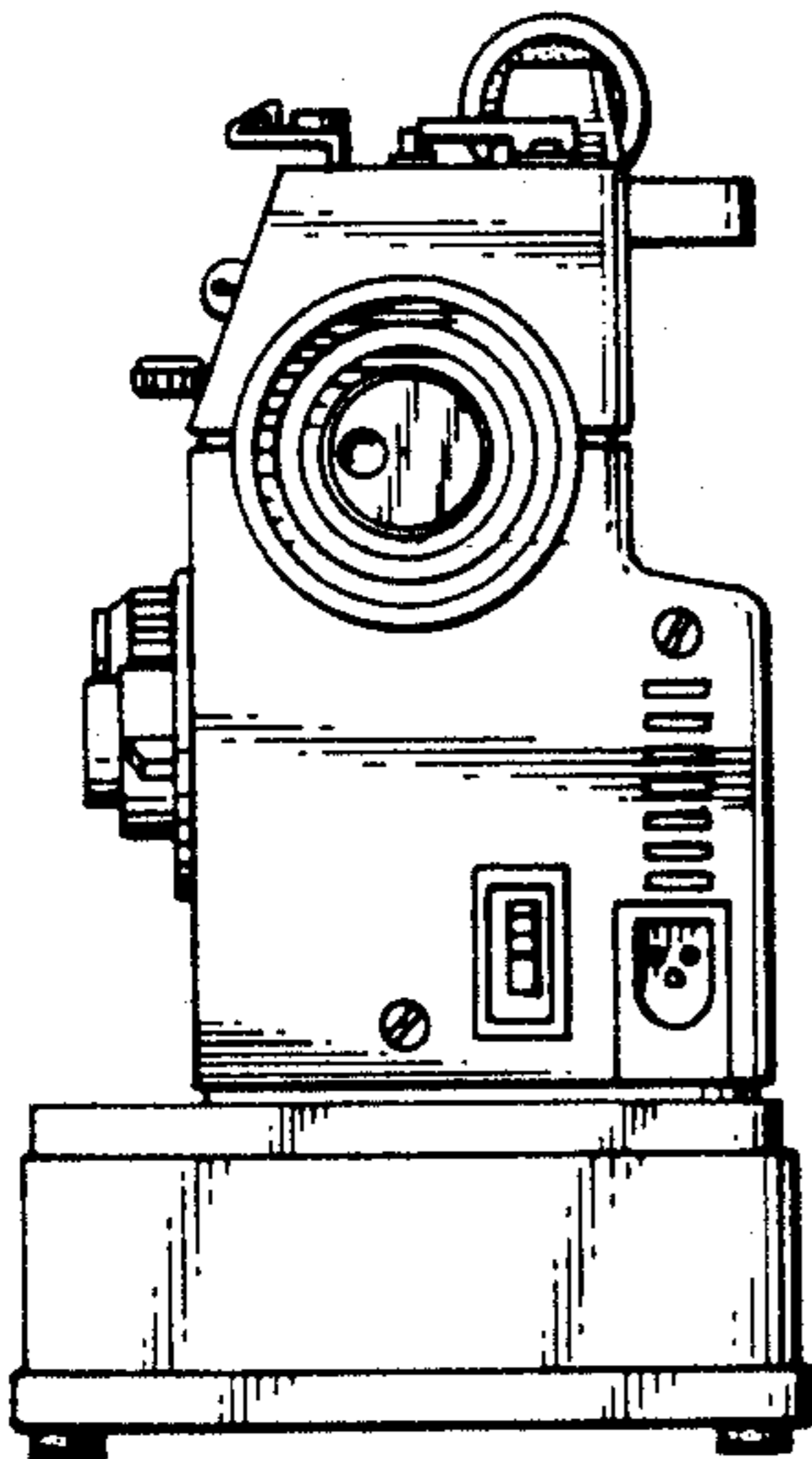
*Fig. 6.*



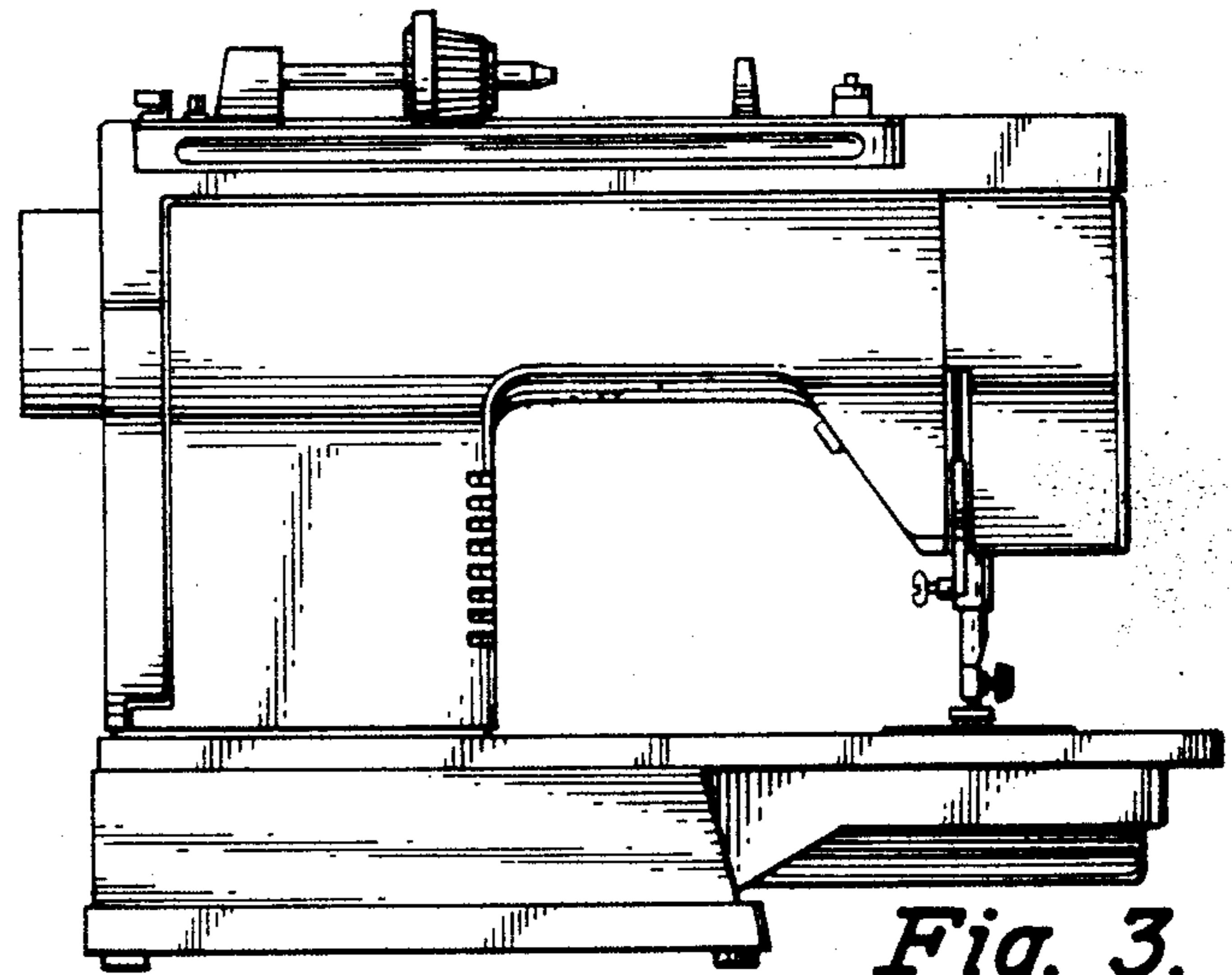
*Fig. 4.*



*Fig. 2.*



*Fig. 5.*



*Fig. 3.*

*Fig. 7.*

