

[54] SEWING MACHINE OR SIMILAR ARTICLE

[75] Inventor: Thomas W. David, Brooklyn, N.Y.

[73] Assignee: The Singer Company, Stamford, Conn.

[**] Term: 14 Years

[21] Appl. No.: 514,721

[22] Filed: Jul. 18, 1983

[52] U.S. Cl. D15/69

[58] Field of Search D15/68-70; 112/63, 258-261

[56] References Cited

U.S. PATENT DOCUMENTS

| | | | | |
|------------|---------|----------------|-------|---------|
| D. 214,853 | 8/1969 | Rosenfeld | | D15/69 |
| D. 241,076 | 8/1976 | Genaro | | D15/69 |
| D. 253,347 | 11/1979 | Felix | | D15/70 |
| D. 253,705 | 12/1979 | Felix et al. | | D15/69 |
| D. 254,135 | 2/1980 | Felix et al. | | D15/69 |
| D. 274,910 | 7/1984 | Szostak et al. | | D15/69 |
| D. 276,345 | 11/1984 | Yoneda | | D15/70 |
| 3,954,073 | 5/1976 | Varin | | 112/259 |

FOREIGN PATENT DOCUMENTS

| | | | |
|--------|--------|-------|---|
| 489014 | 8/1978 | Japan | . |
| 545805 | 9/1980 | Japan | . |
| 546007 | 9/1980 | Japan | . |
| 355148 | 3/1981 | Japan | . |

OTHER PUBLICATIONS

House and Garden, Jun. 81 p. 70 Singer Sewing Machine Model 6110.

Primary Examiner—Bernard Ansher

Assistant Examiner—Linda Titolo

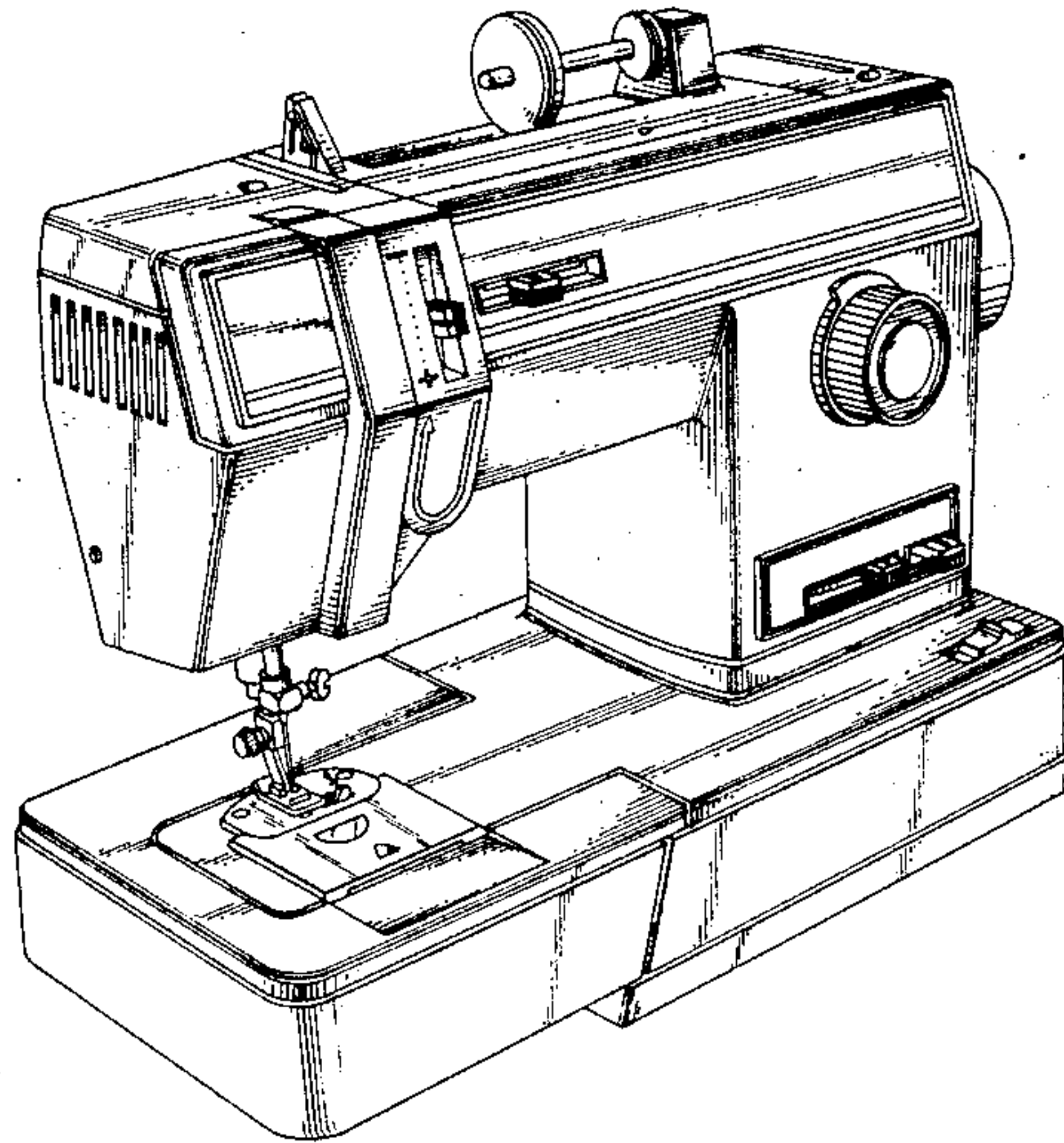
Attorney, Agent, or Firm—Robert E. Smith; Edward L. Bell

[57] CLAIM

The ornamental design for a sewing machine or similar article, substantially as shown.

DESCRIPTION

FIG. 1 is a front perspective view of a sewing machine showing my new design;
 FIG. 2 is a front elevational view thereof;
 FIG. 3 is a rear elevational view thereof;
 FIG. 4 is a left side elevational view thereof;
 FIG. 5 is a right side elevational view thereof;
 FIG. 6 is a top plan view thereof; and
 FIG. 7 is a bottom plan view thereof.



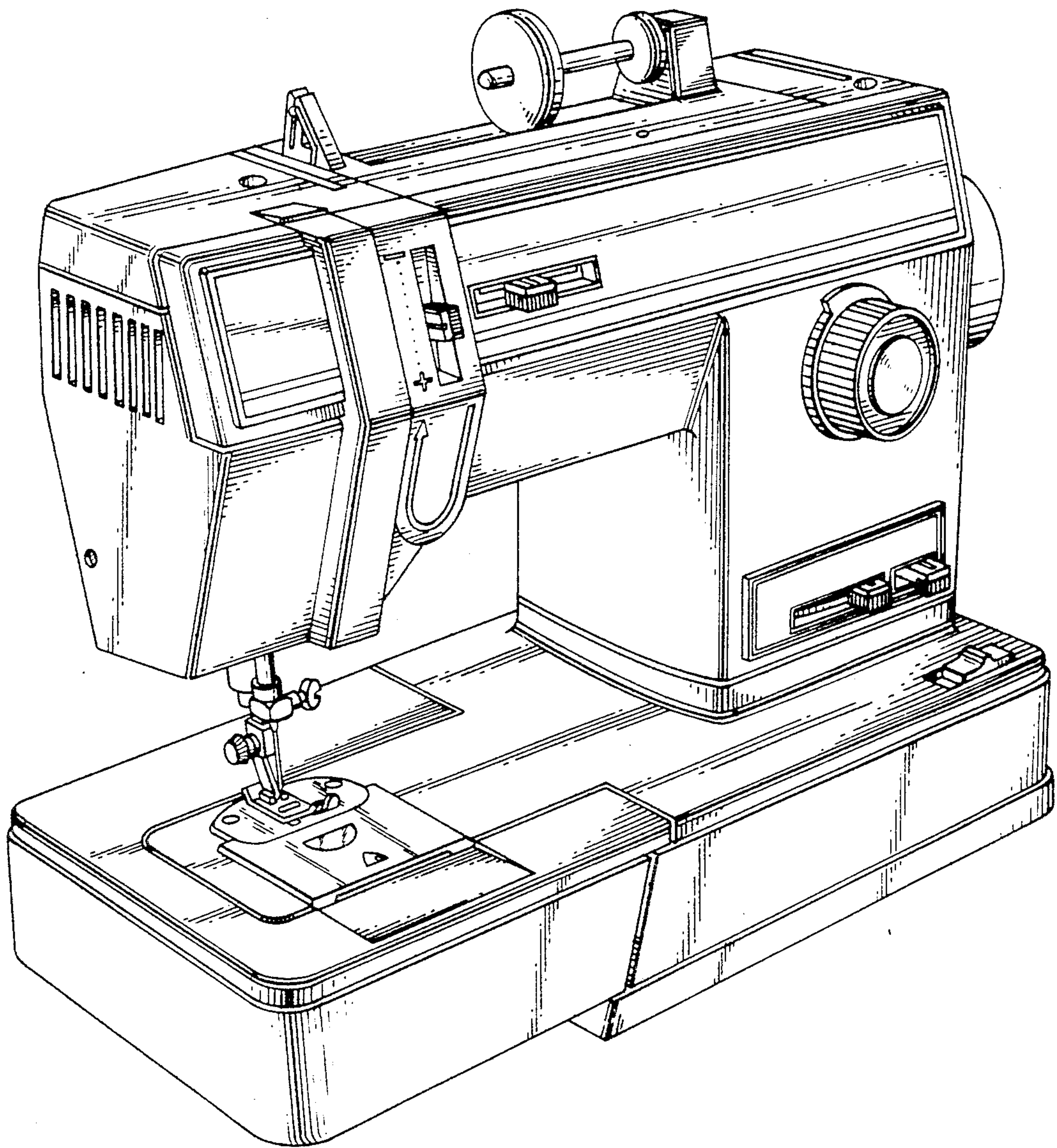


Fig. 1.

Fig. 6.

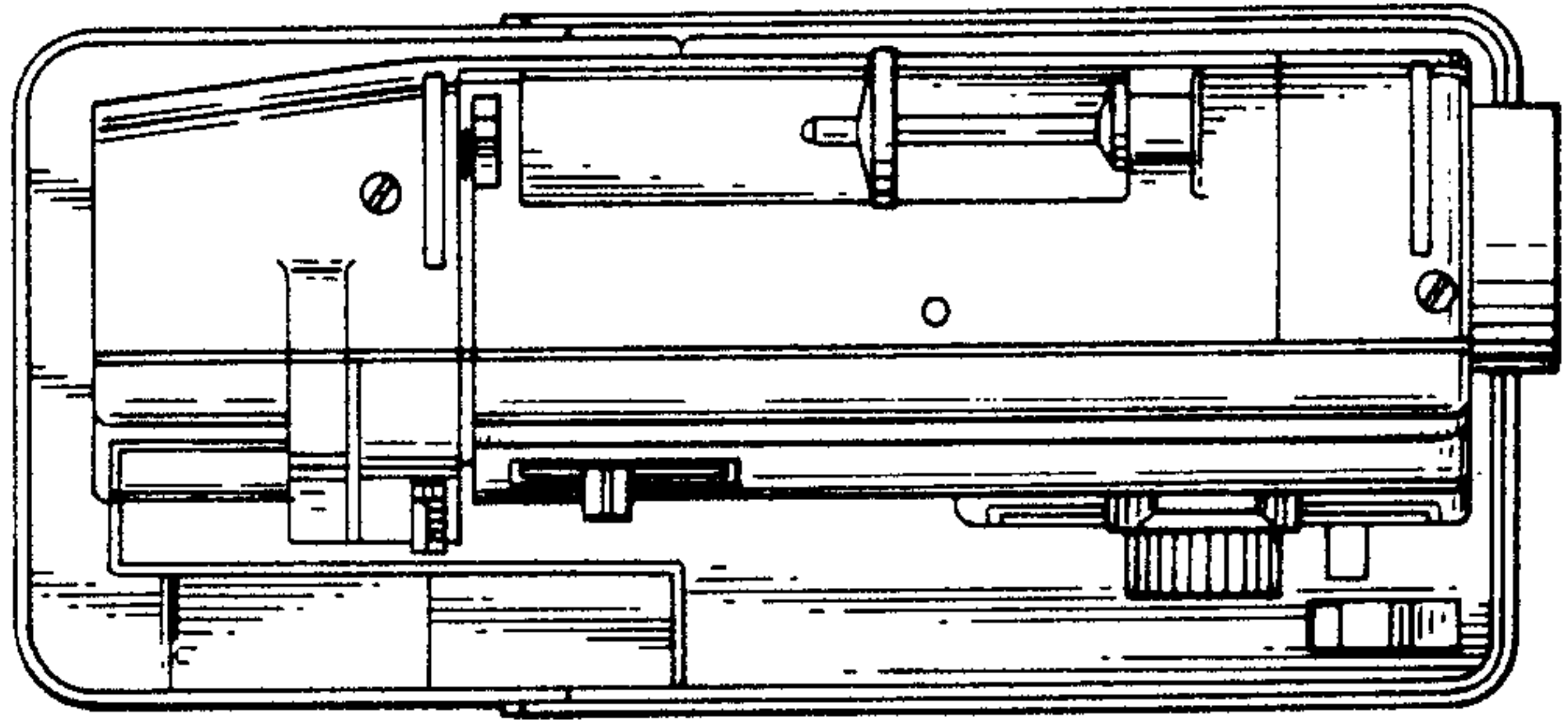


Fig. 4.

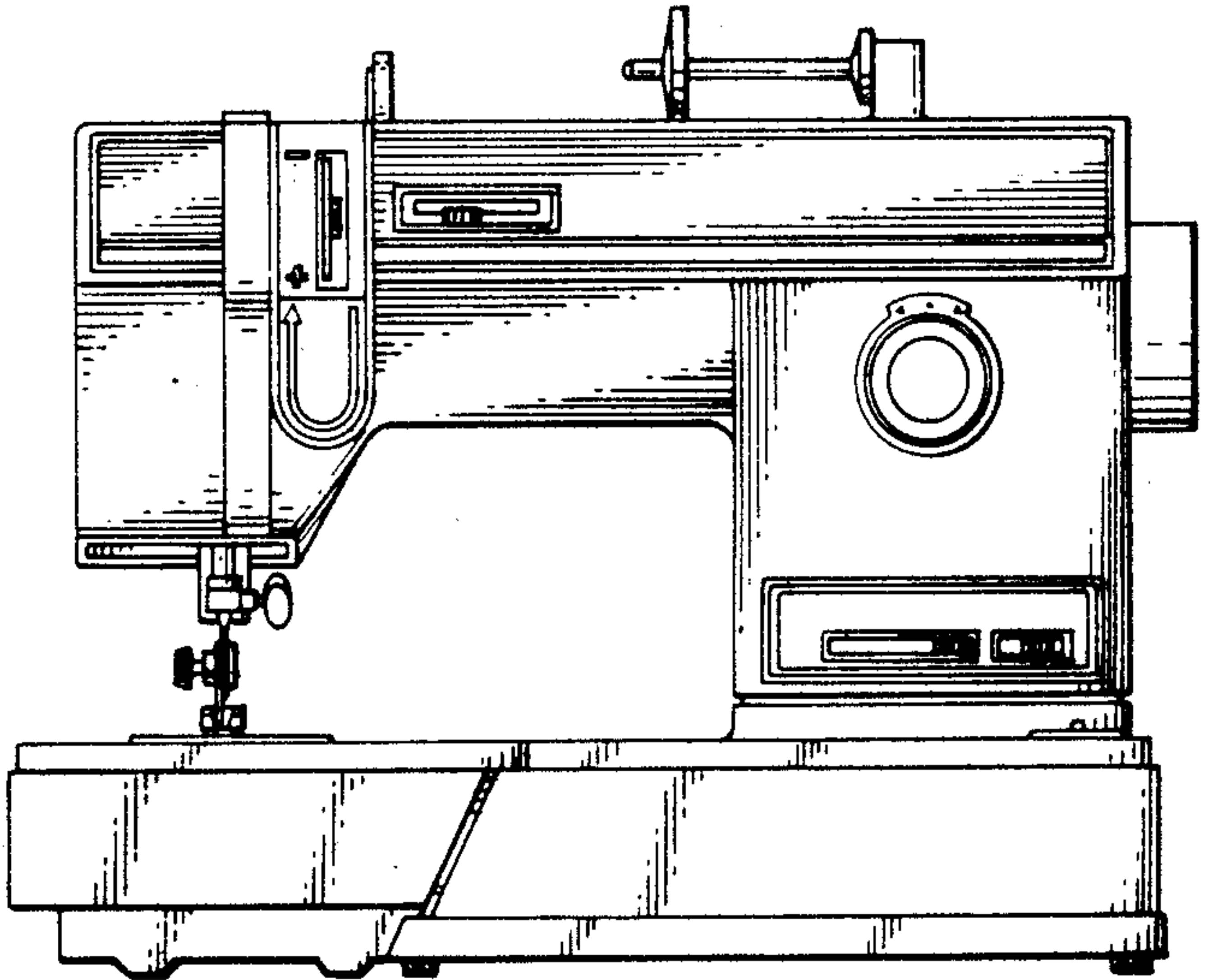
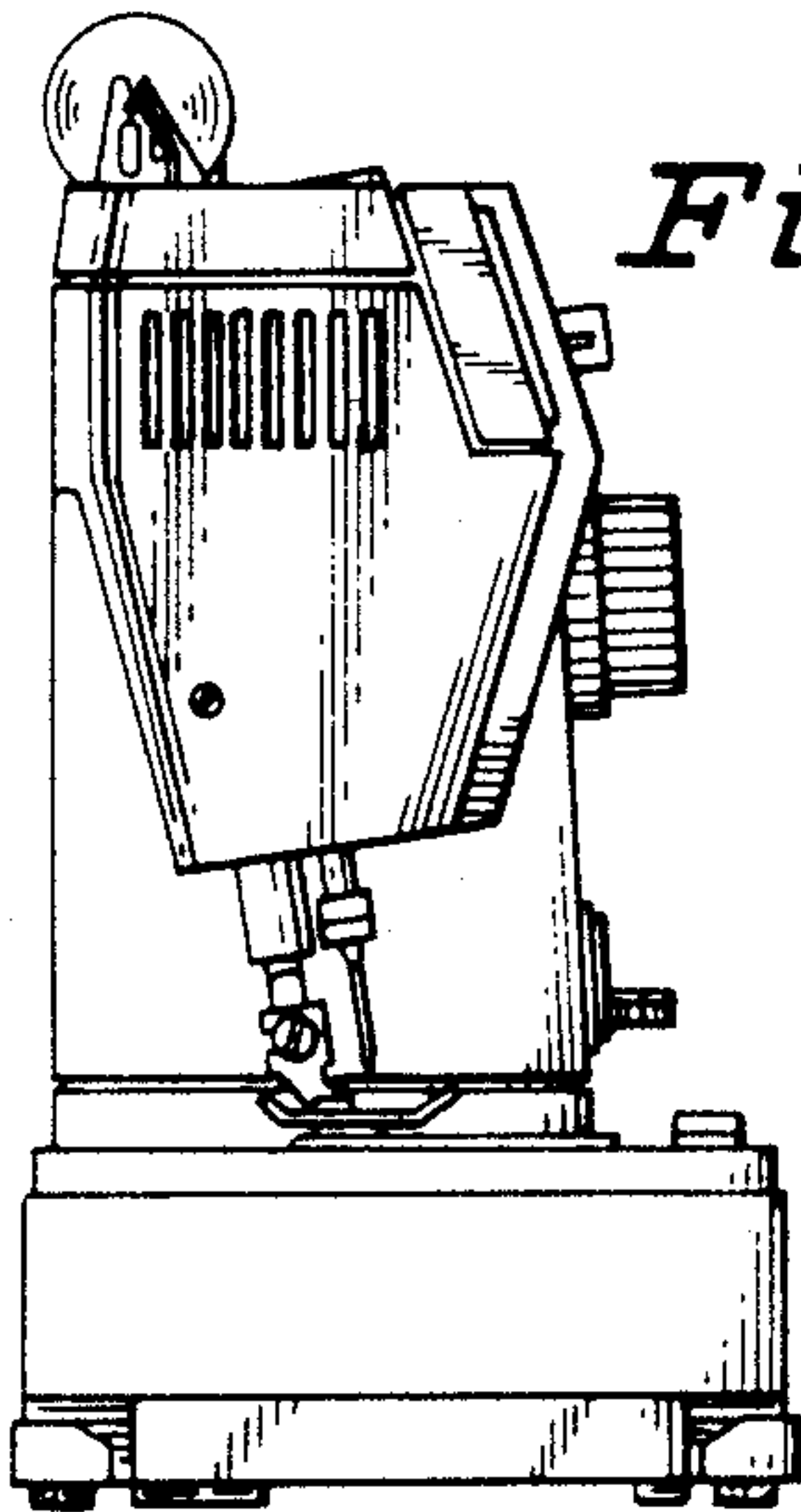


Fig. 2.

Fig. 5.

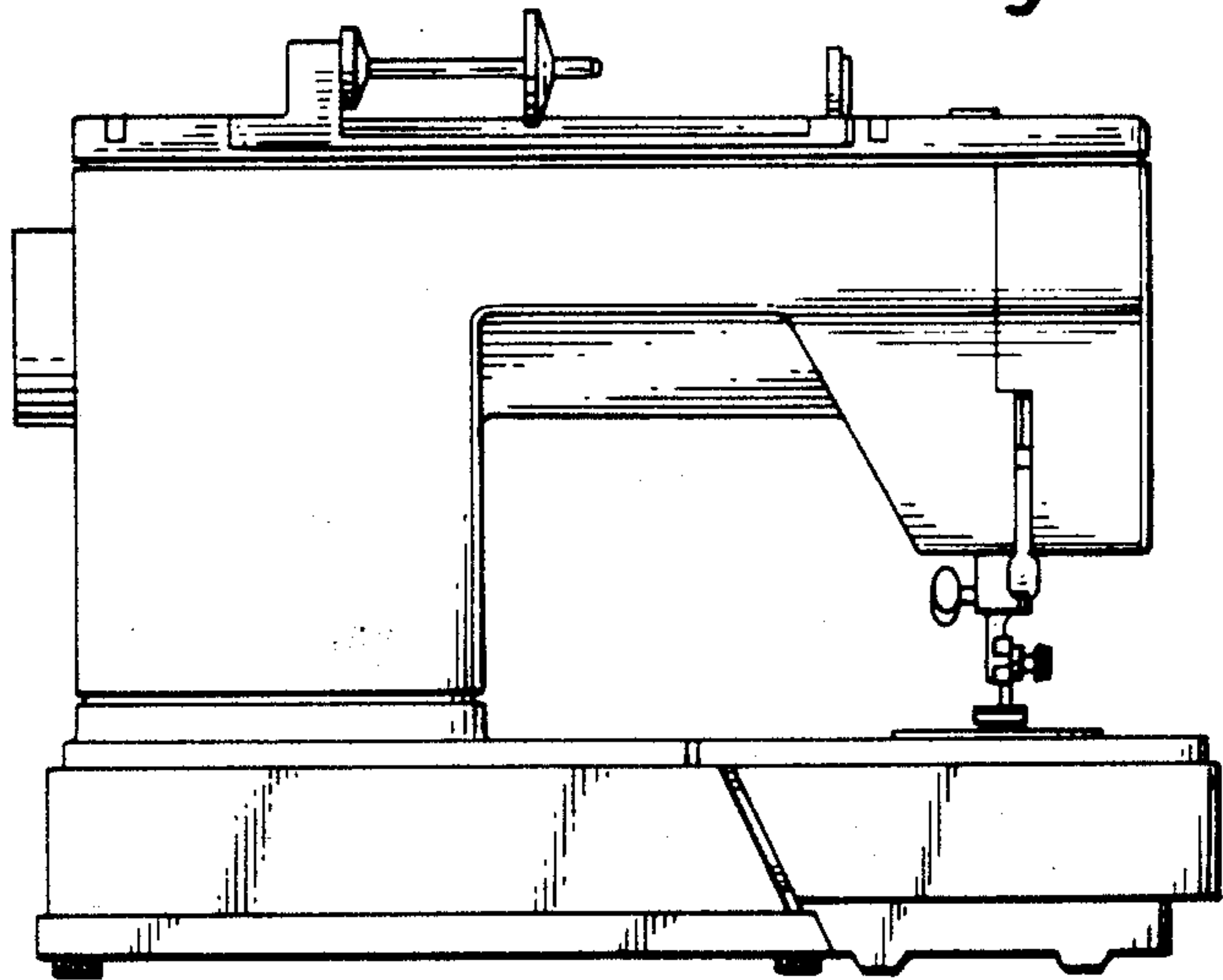
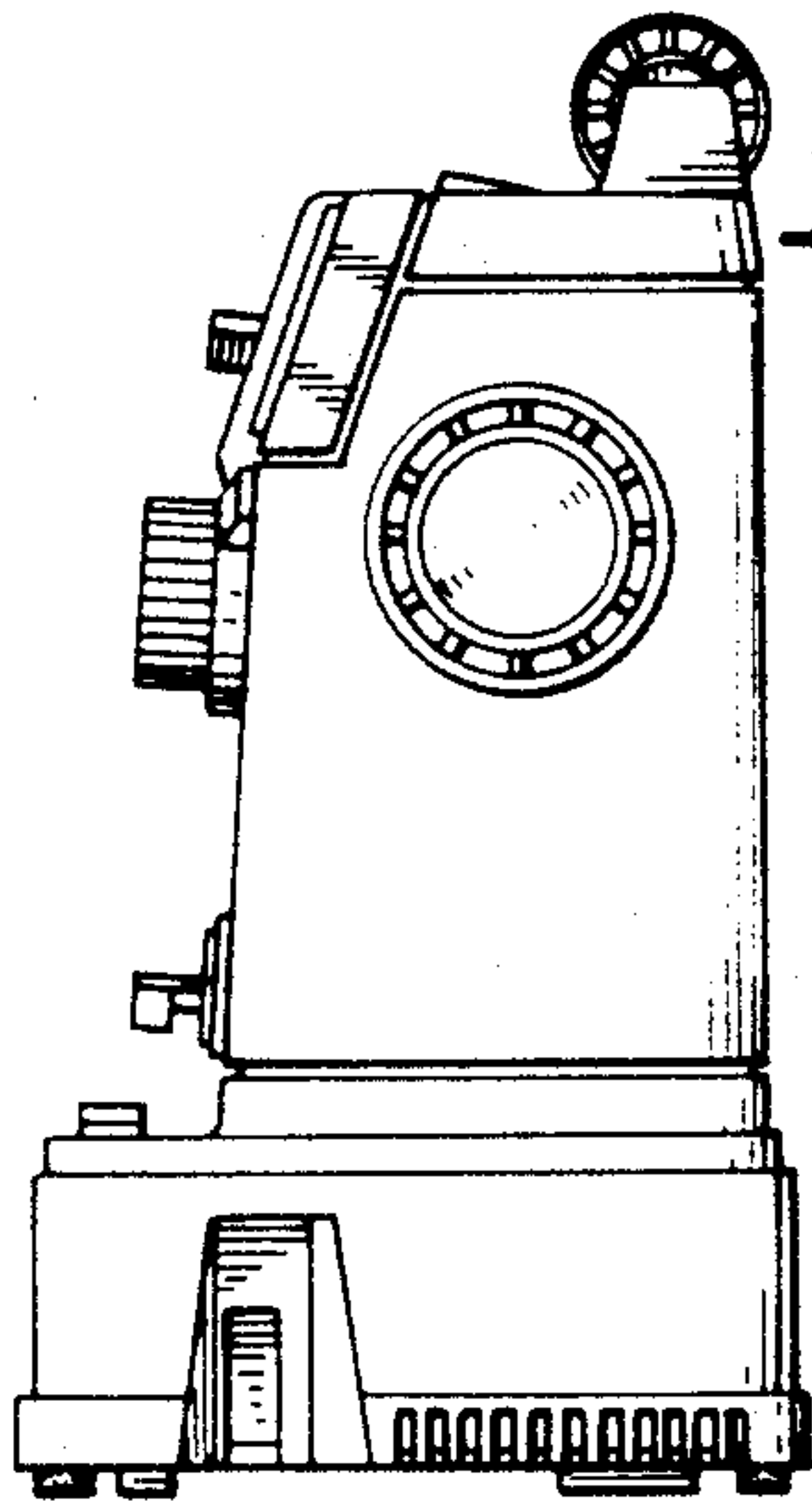


Fig. 3.

Fig. 7.

