

[54] FLUID INJECTION APPARATUS FOR INTERNAL COMBUSTION ENGINES

[76] Inventor: Donald E. Goorhouse, 7125 2nd St., #111, Scottsdale, Ariz. 85251

[\*\*] Term: 14 Years

[21] Appl. No.: 683,601

[22] Filed: Dec. 19, 1984

[52] U.S. Cl. .... D15/5

[58] Field of Search ..... D15/5; 123/187.5, 527; 261/16, 72

[56] References Cited

U.S. PATENT DOCUMENTS

D. 268,759	4/1983	Hoebeke	.....	D15/5
2,899,185	8/1959	Rector	.....	261/72
3,074,697	1/1963	Friedell	.....	261/16
4,280,968	7/1981	Smeets	.....	261/16
4,326,485	4/1982	Burke	.....	123/187.5 R

4,399,795 8/1983 Brown ..... 123/527

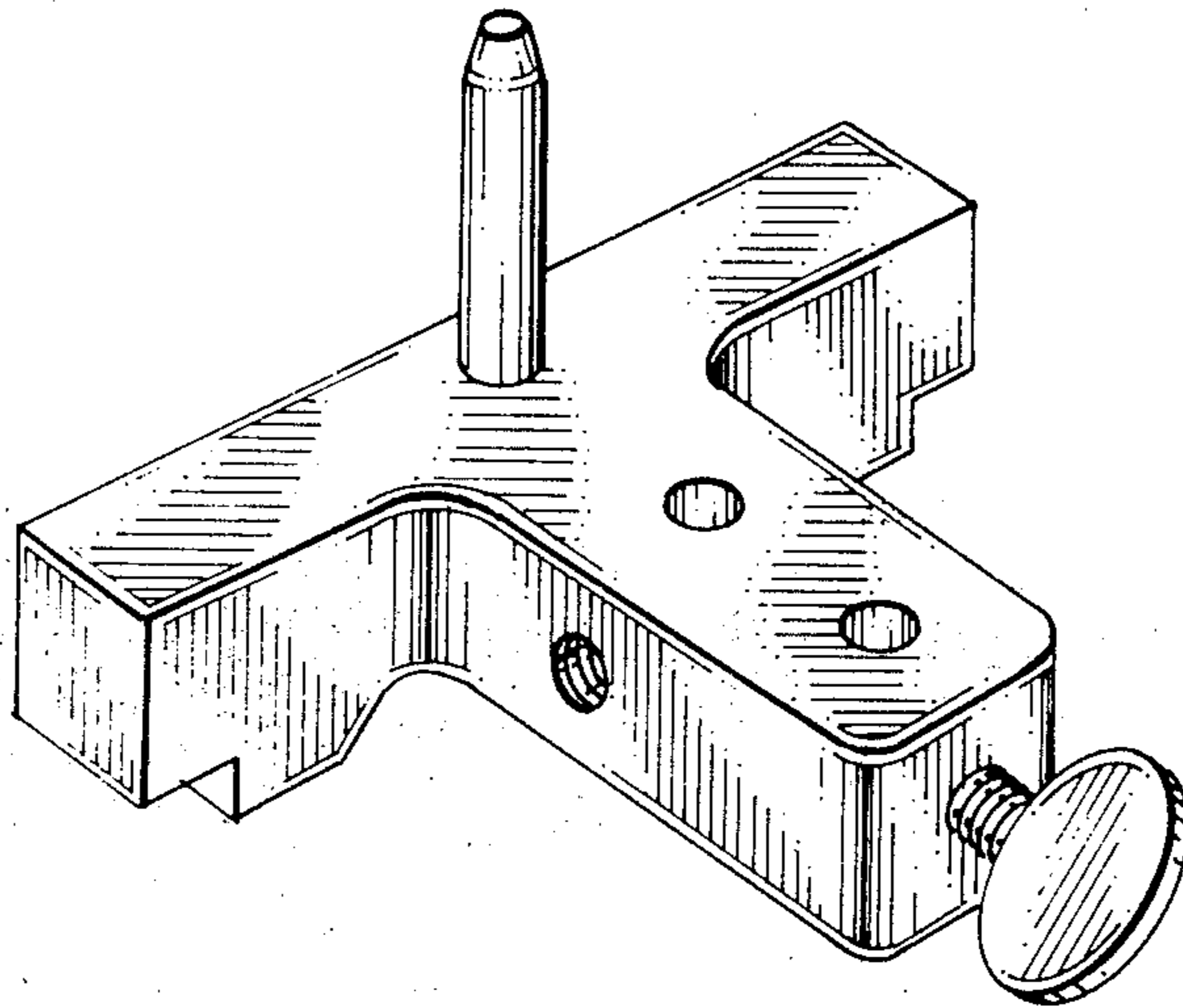
Primary Examiner—Wallace R. Burke  
Assistant Examiner—Lynn Wilder  
Attorney, Agent, or Firm—Warren F. B. Lindsley

[57] CLAIM

The ornamental design for a fluid injection apparatus for internal combustion engines, as shown and described.

DESCRIPTION

FIG. 1 is a perspective view of the top, left side and front of a fluid injection apparatus for internal combustion engines showing my new design; FIG. 2 is a perspective view showing the bottom, right side and back of the fluid injection apparatus shown thereof; FIG. 3 is a left end view thereof; FIG. 4 is a front view thereof; FIG. 5 is a top view thereof; and FIG. 6 is a back view thereof.



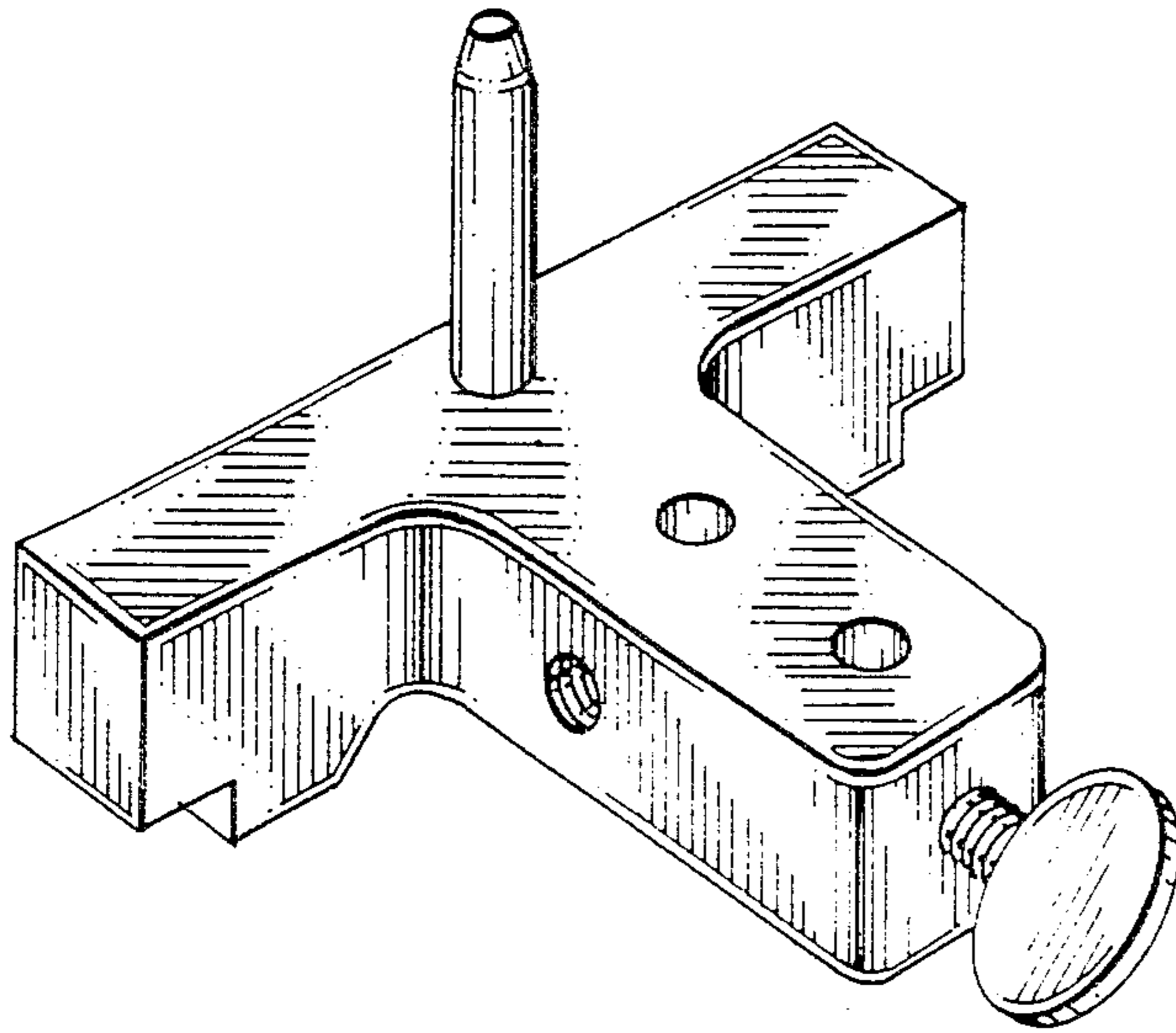


FIG. 1

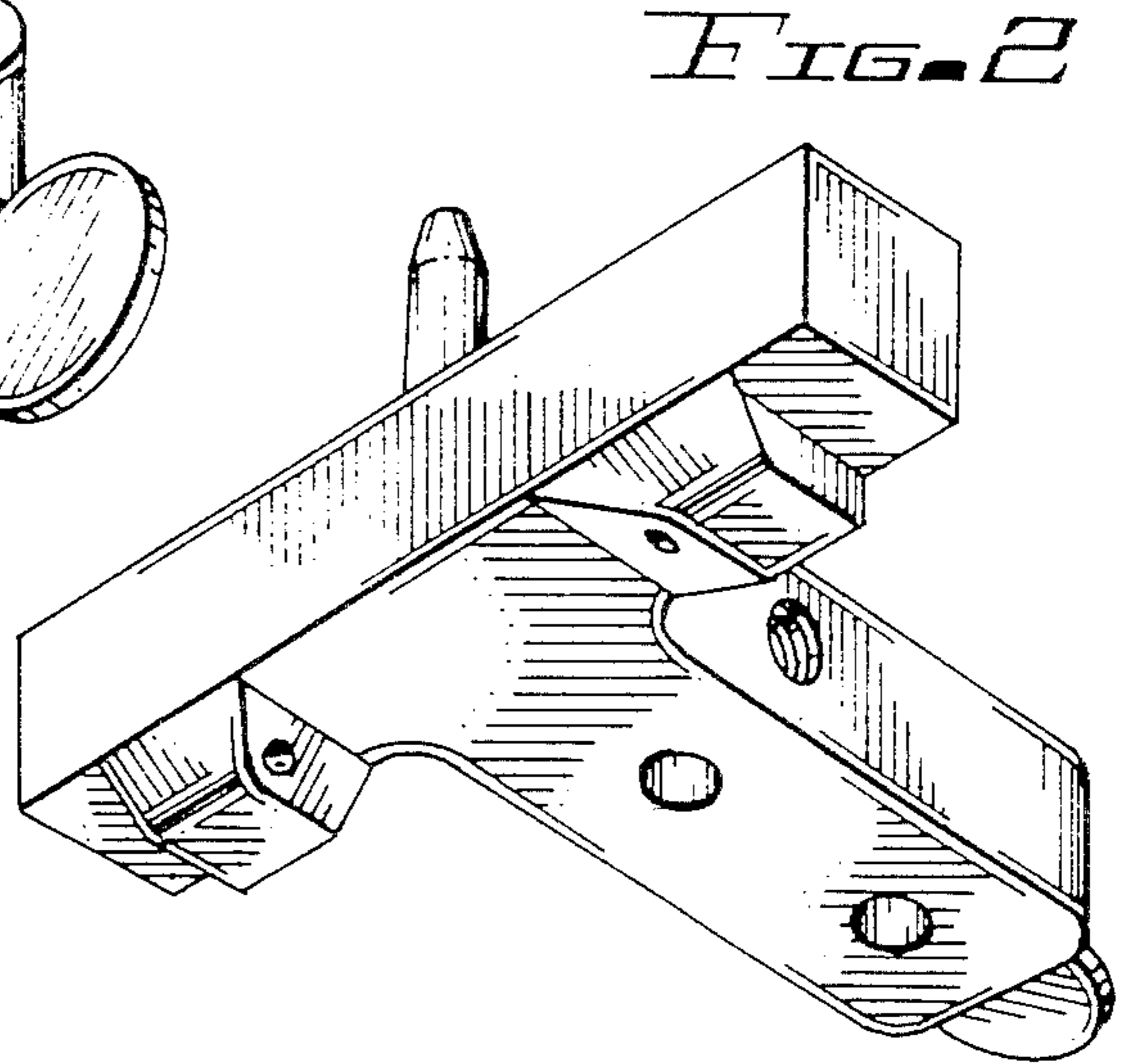


FIG. 2

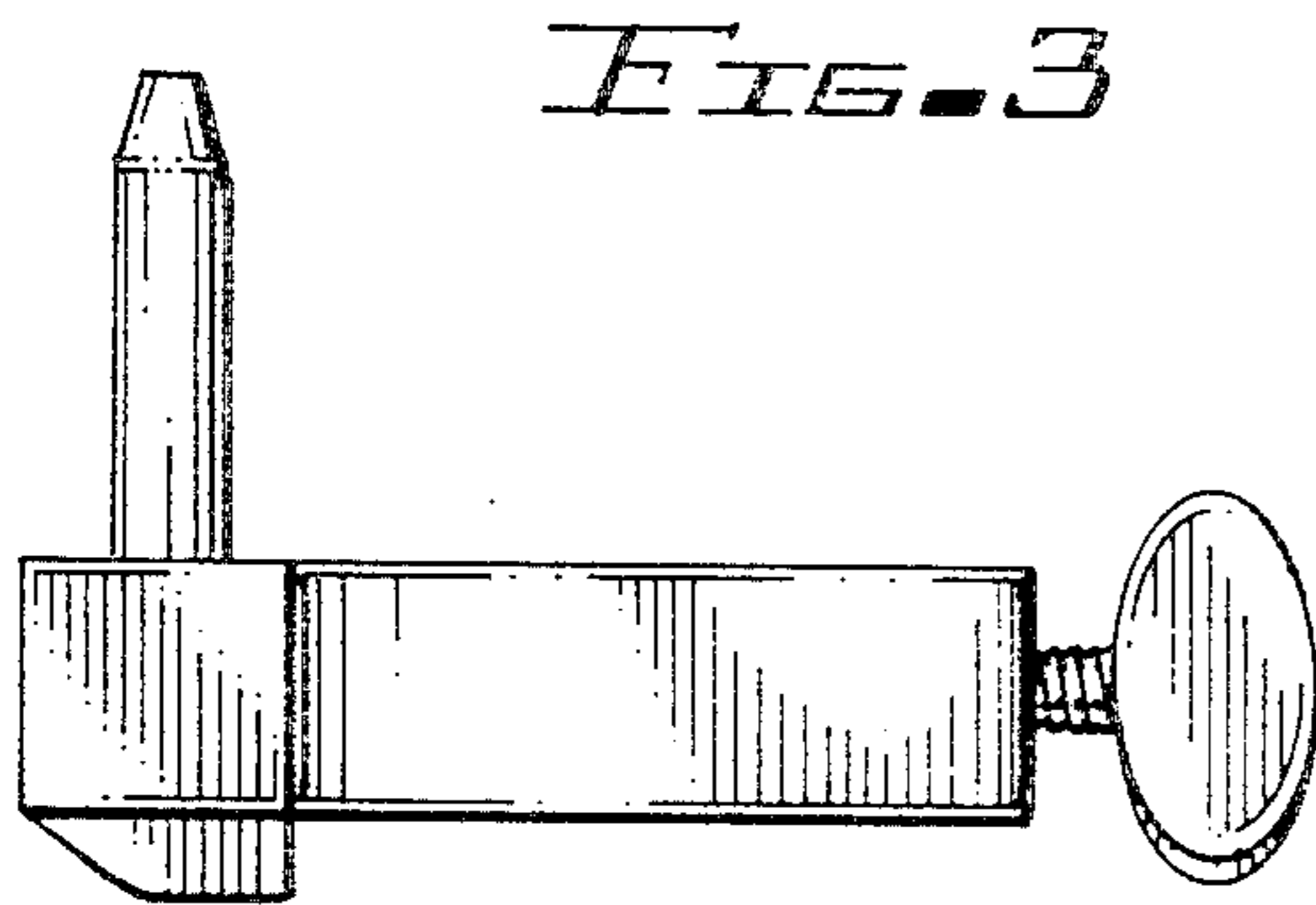


FIG. 3

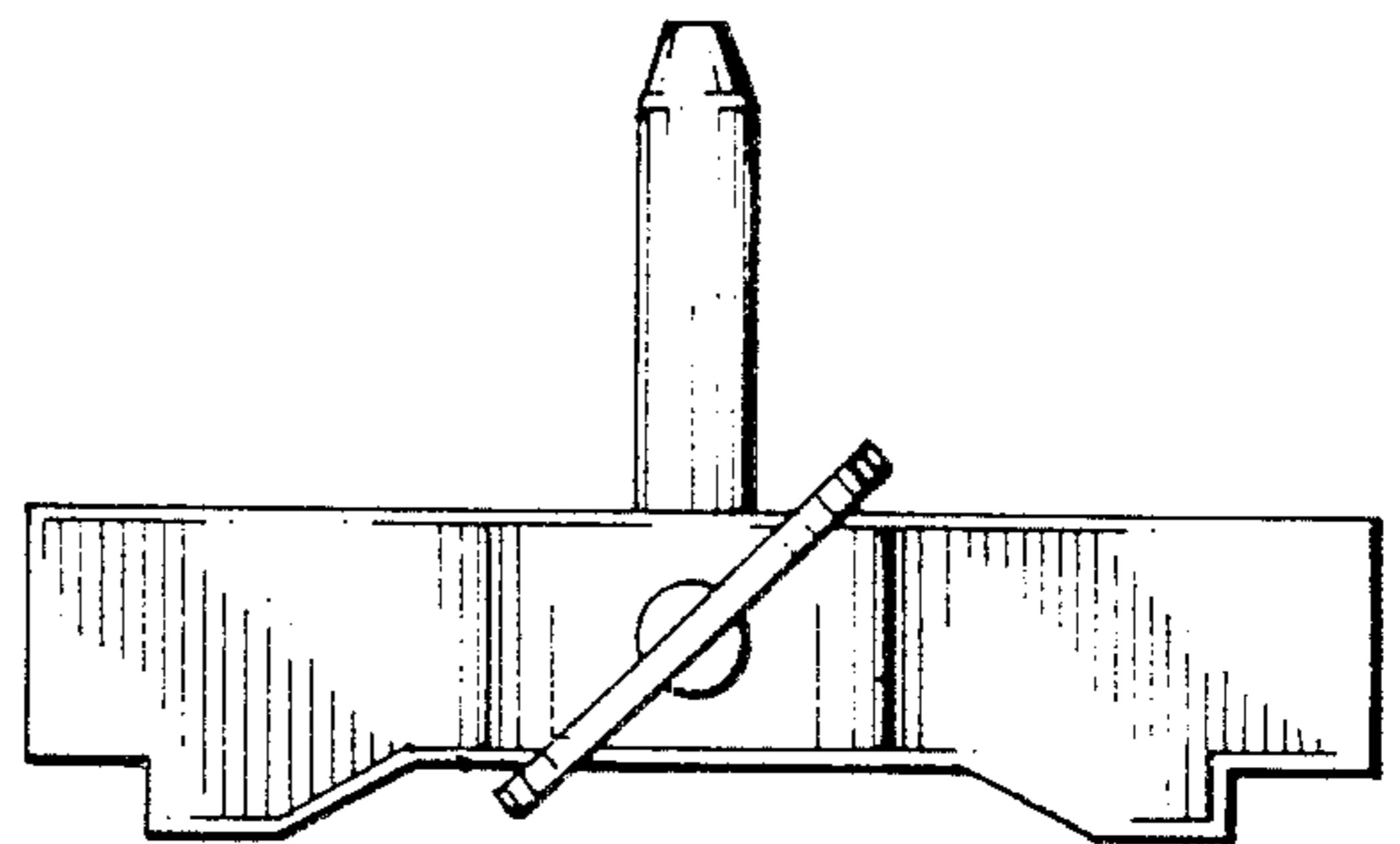


FIG. 4

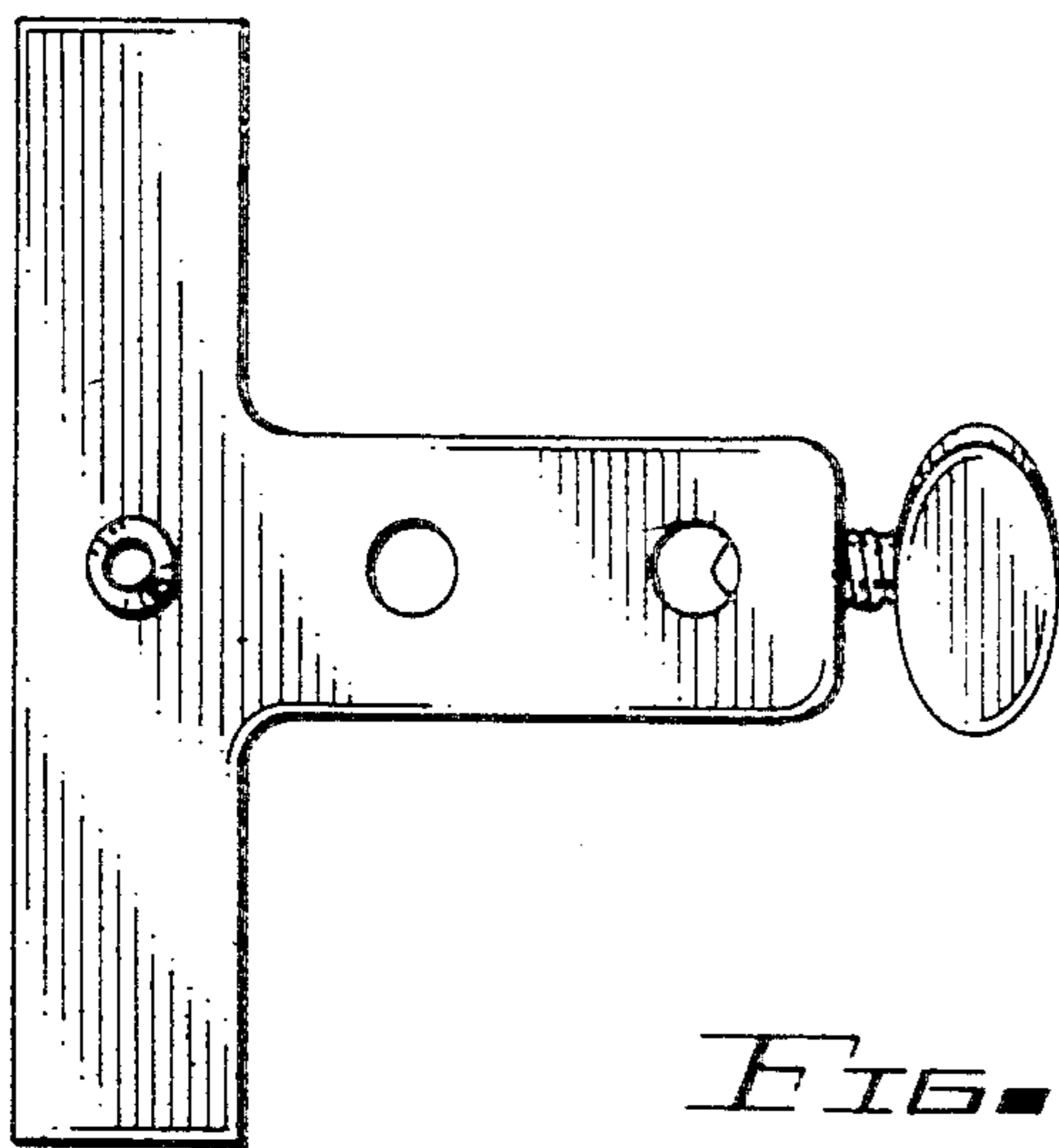


FIG. 5

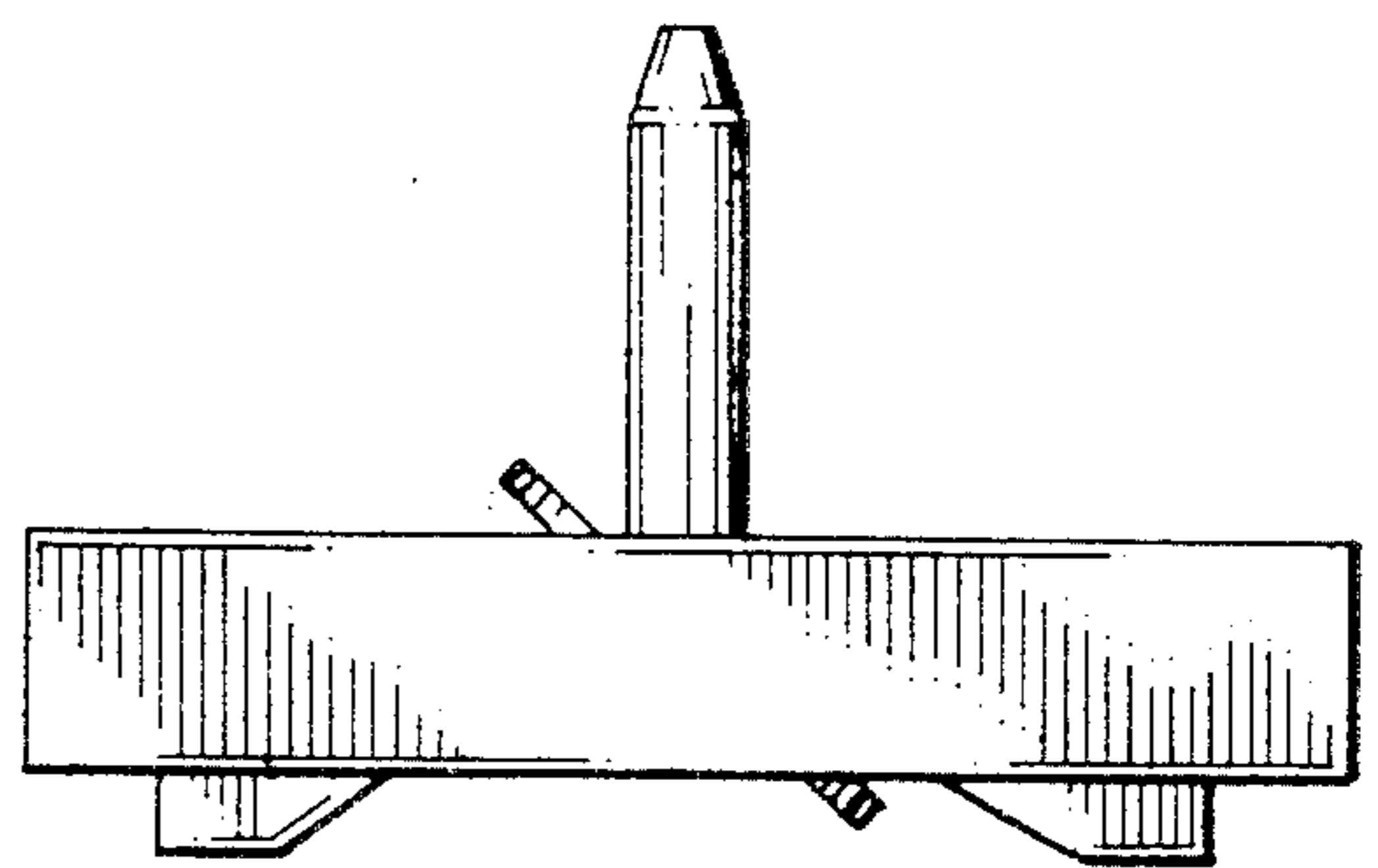


FIG. 6