

[54] COMPUTER TERMINAL

[75] Inventor: Dana M. Richmond, Southborough, Mass.

[73] Assignee: Pencept, Inc., Waltham, Mass.

[**] Term: 14 Years

[21] Appl. No.: 519,141

[22] Filed: Aug. 1, 1983

[52] U.S. Cl. D14/106

[58] Field of Search D14/100, 105, 106, 107, D14/114; 340/700, 707, 708, 710

[56] References Cited

U.S. PATENT DOCUMENTS

- D. 235,654 7/1975 Crabbe et al. D14/106
- D. 263,396 3/1982 Horikoshi et al. D14/106

OTHER PUBLICATIONS

Computer Design, 4-1981, p. 76, Zentec Series 8000 Terminal.

Computer Design, 8-1981, p. 56, Lexidata System 3400 Display Processor.

Computer Design, 1-1982, p. 61, Display Terminal and Graphic Pad (bottom).

Primary Examiner—Susan J. Lucas

Attorney, Agent, or Firm—Dike, Bronstein, Roberts, Cushman & Pfund

[57] CLAIM

The ornamental design for a computer terminal, as shown and described.

DESCRIPTION

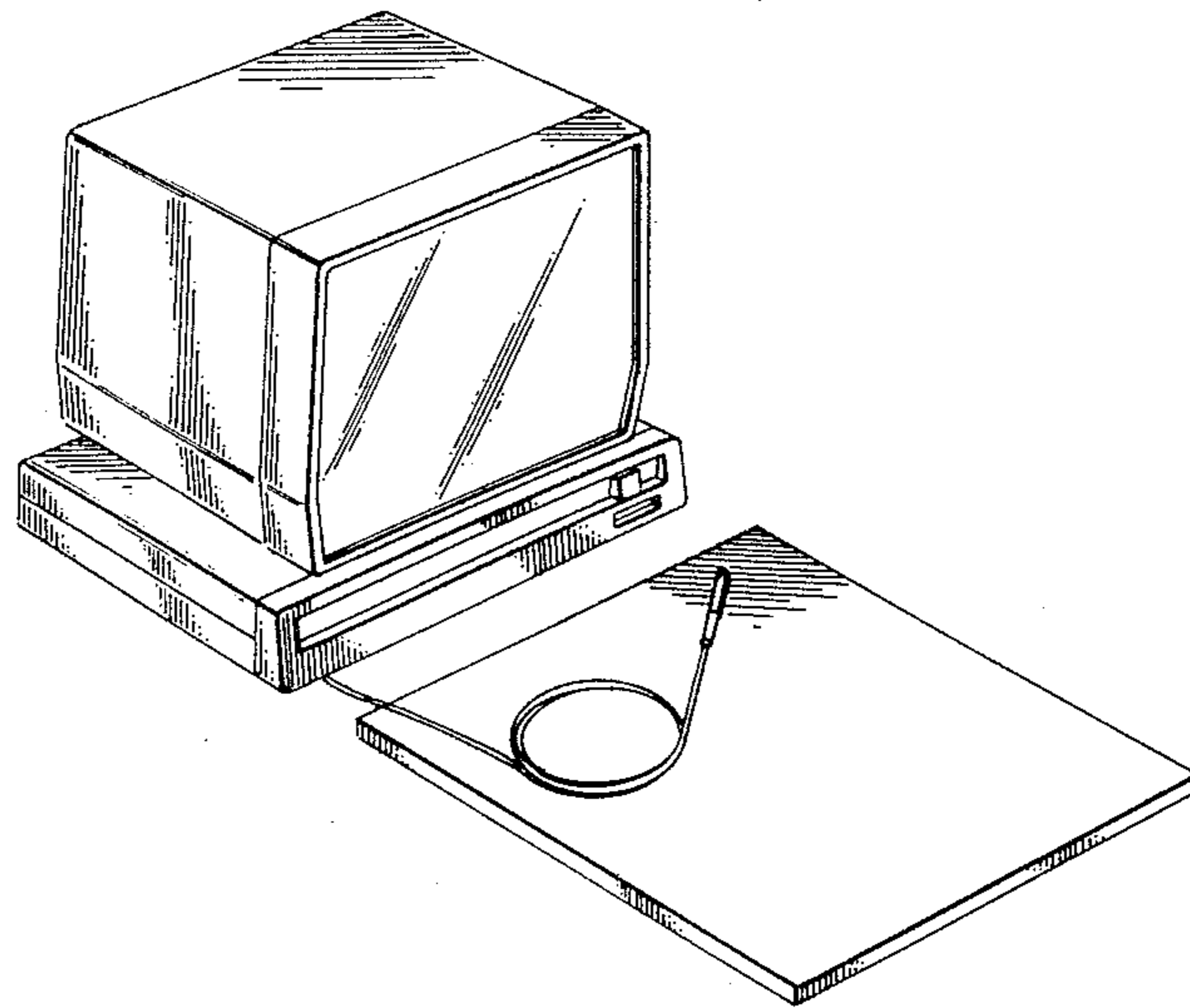
FIG. 1 is a perspective view of the computer terminal showing my new design;

FIG. 2 is a front view thereof;

FIG. 3 is a right side view thereof;

FIG. 4 is a top view thereof;

FIG. 5 is a rear view thereof.



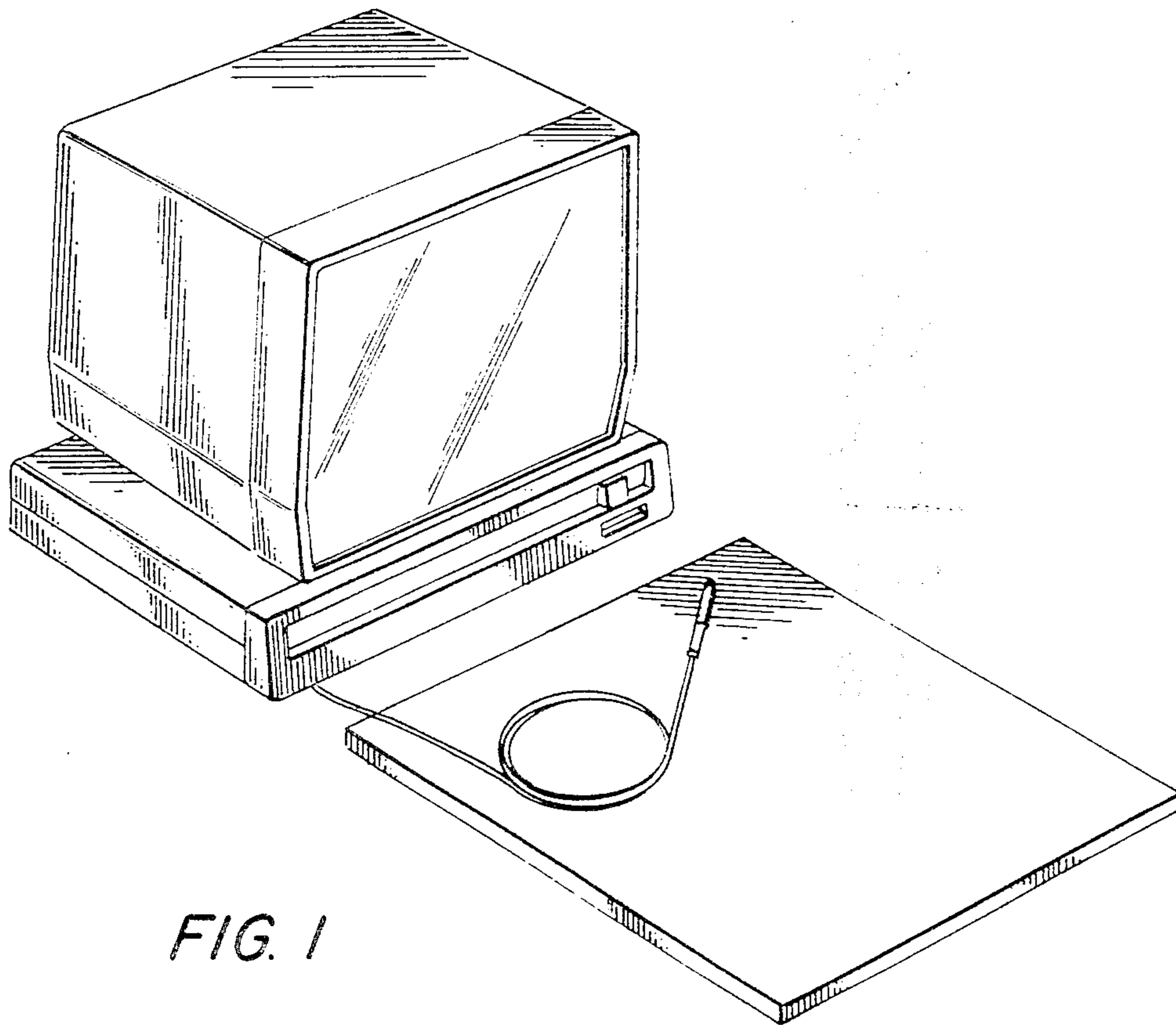


FIG. 1

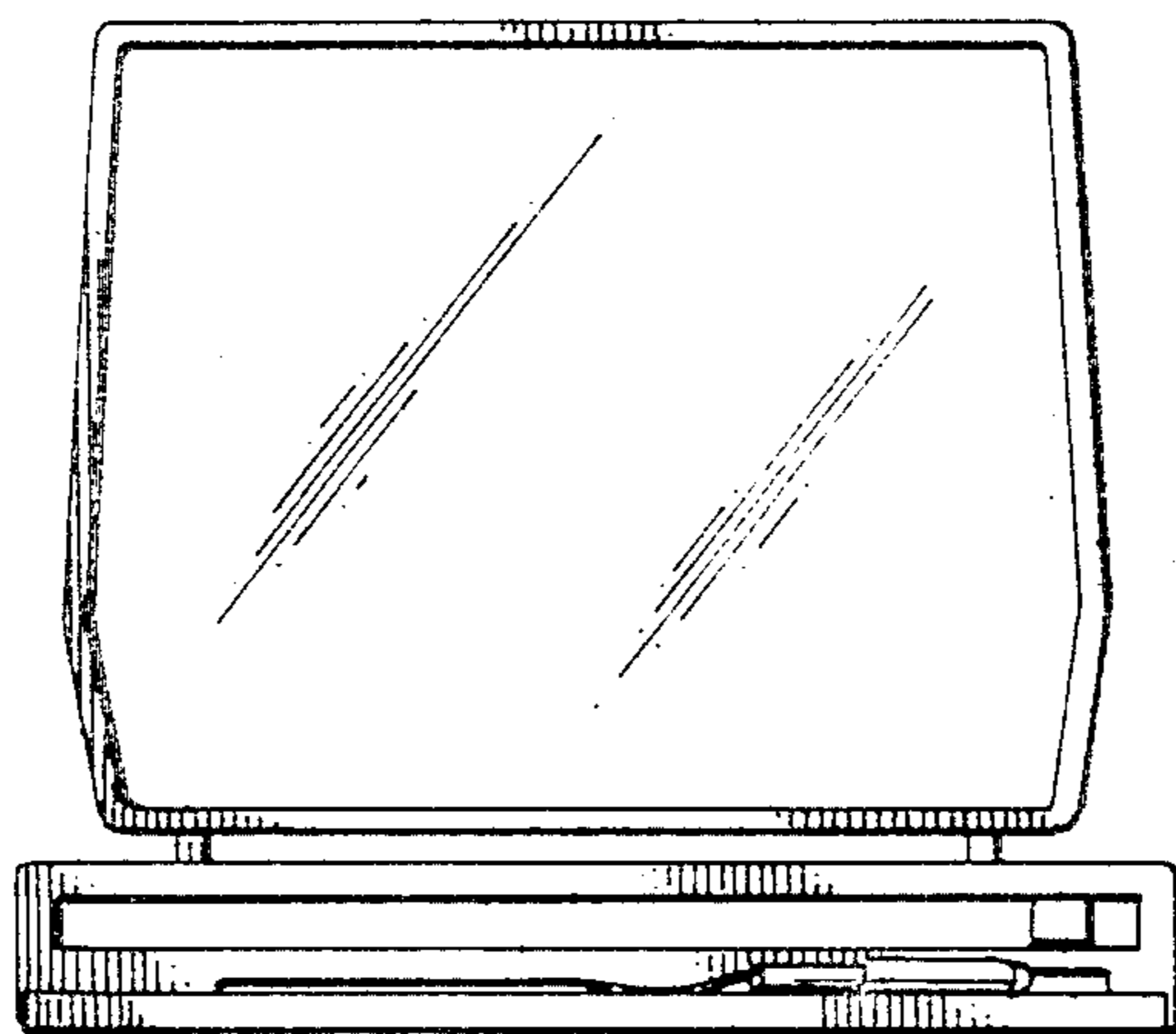


FIG. 2

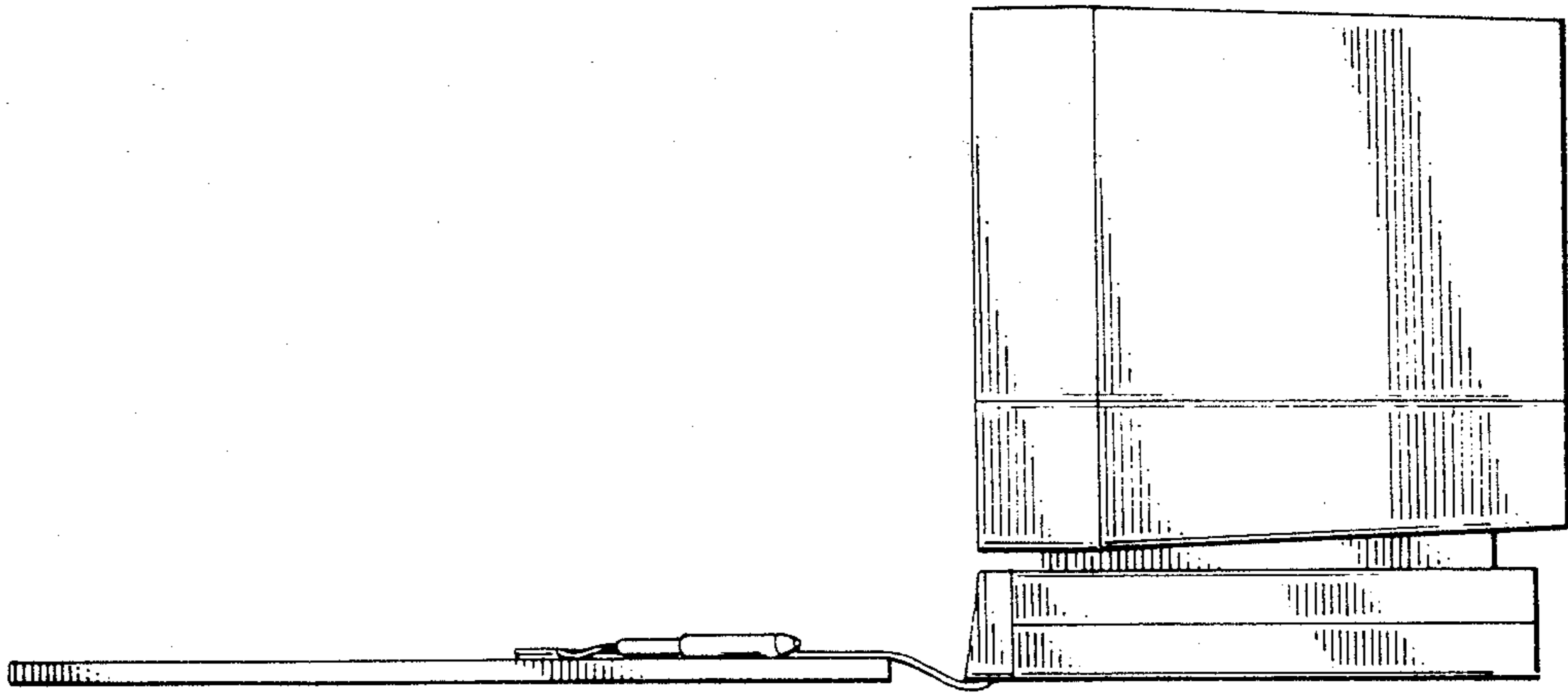


FIG. 3

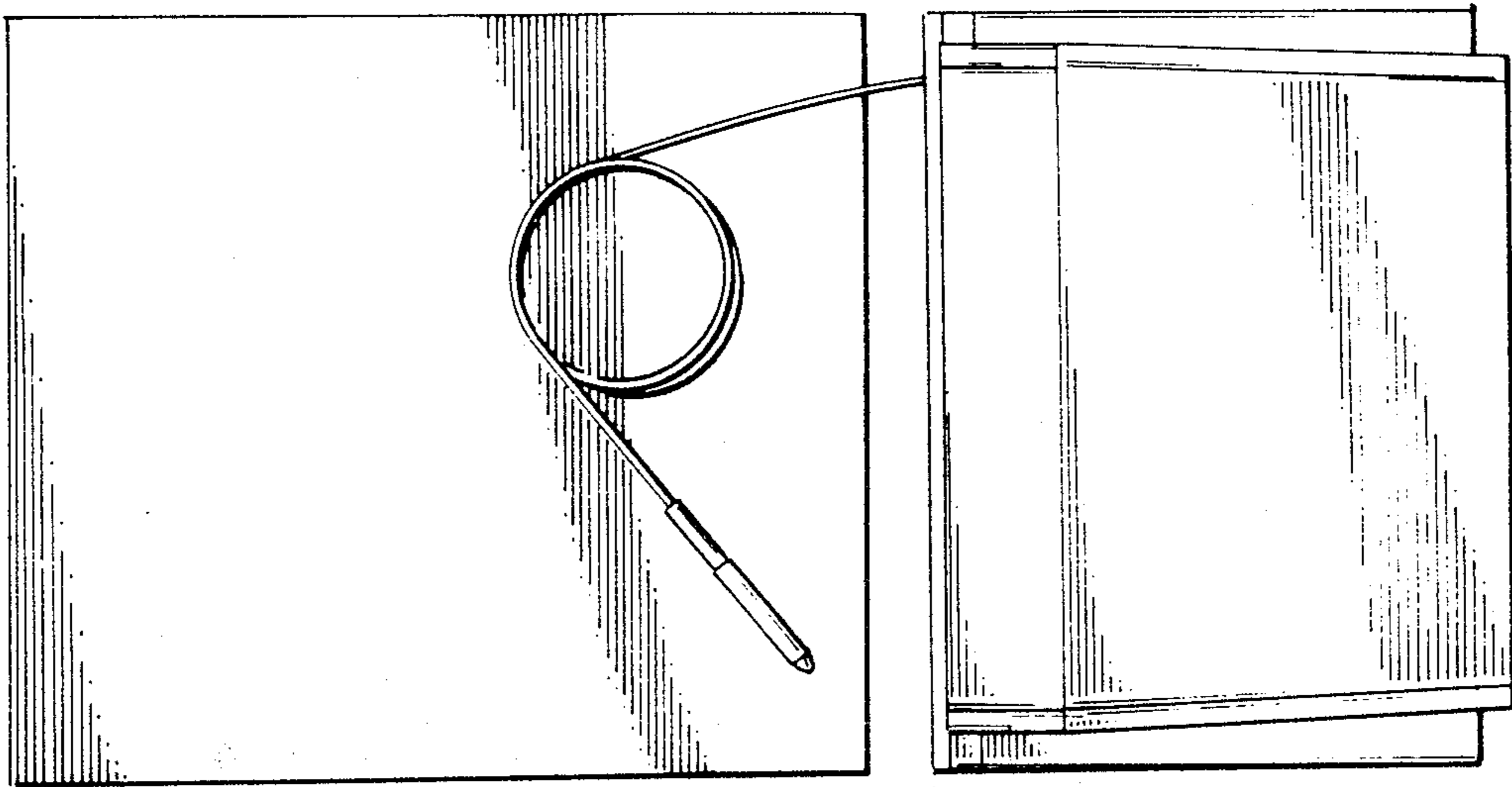


FIG. 4

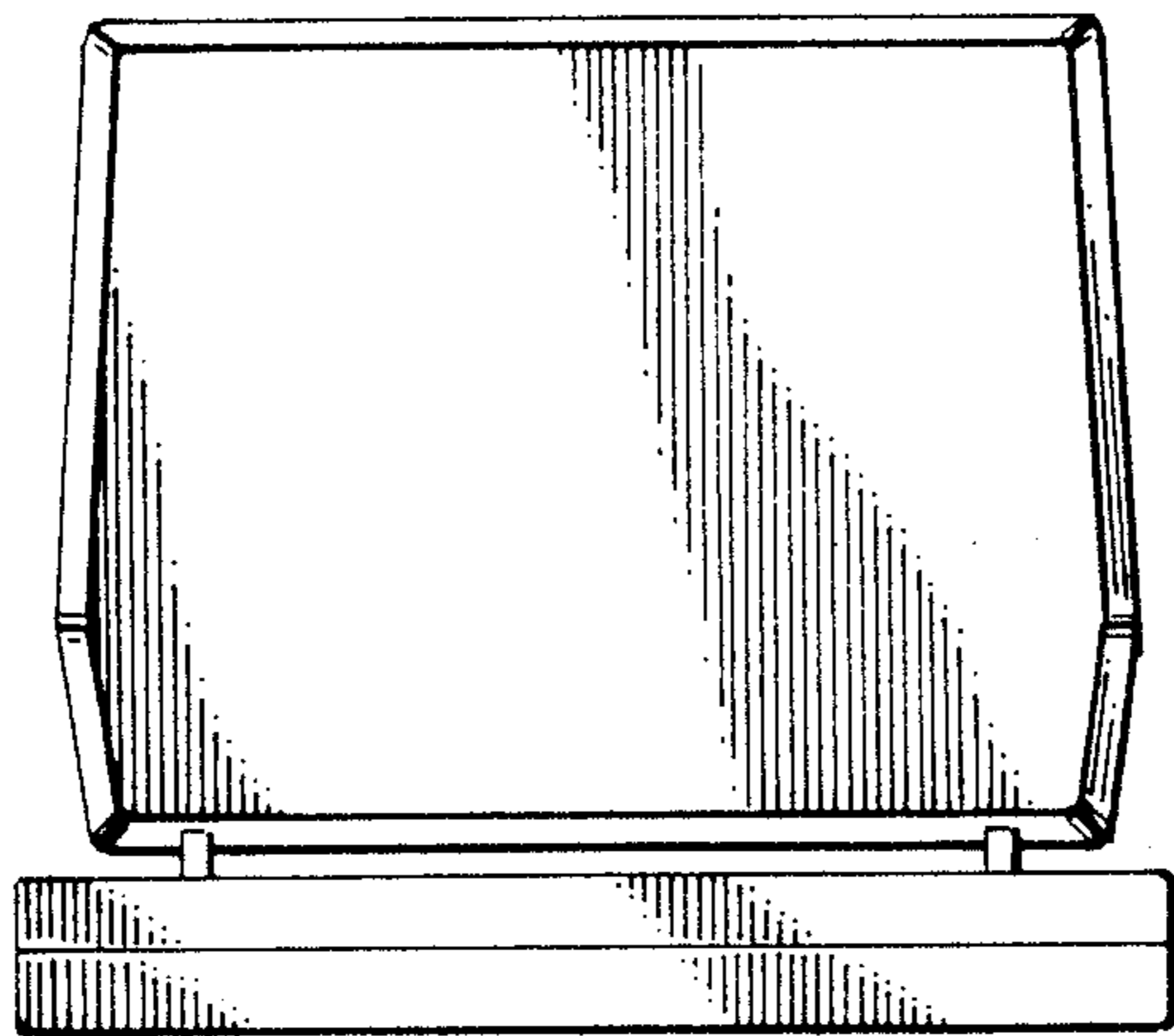


FIG. 5