

[54] TELEPHONE STAND

[75] Inventors: John N. McGarvey, Drexel, Pa.; Alvin R. Tilley, Red Bank, N.J.

[73] Assignee: AT&T Technologies, Inc., Indianapolis, Ind.

[\*\*] Term: 14 Years

[21] Appl. No.: 715,702

[22] Filed: Mar. 25, 1985

[52] U.S. Cl. .... D14/60; D14/53; D14/12

[58] Field of Search ..... D14/52, 53, 56, 58, D14/60, 61; 179/179, 100 R, 100 C, 100 D, 161

[56] References Cited

U.S. PATENT DOCUMENTS

- D. 135,891 6/1943 Nordon et al. .... D14/60
- 231,650 5/1974 Eubank ..... D26/14
- 237,506 11/1975 Genaro ..... D26/14
- D. 245,112 7/1977 Everhart et al. .... D14/60

- D. 247,813 5/1978 Genaro et al. .... D14/60
- 249,882 10/1978 Genaro ..... D14/61
- D. 252,331 7/1979 Baase et al. .... D14/60
- D. 252,569 8/1979 Genaro et al. .... D14/60
- D. 276,339 11/1984 Read ..... D14/60
- D. 278,903 5/1985 Ando ..... D14/53
- 4,088,844 5/1978 Kinnaird, Jr. .... 179/99

Primary Examiner—Wallace R. Burke

Assistant Examiner—Horace B. Fay

[57] CLAIM

The ornamental design for a telephone stand, substantially as shown and described.

DESCRIPTION

FIG. 1 is a top, front and side perspective view of our new design for a telephone stand;  
 FIG. 2 is a top plan view thereof;  
 FIG. 3 is a rear elevation of the telephone, the front elevation being substantially identical thereto; and  
 FIG. 4 is a side elevation thereof, the opposite side being identical thereto.

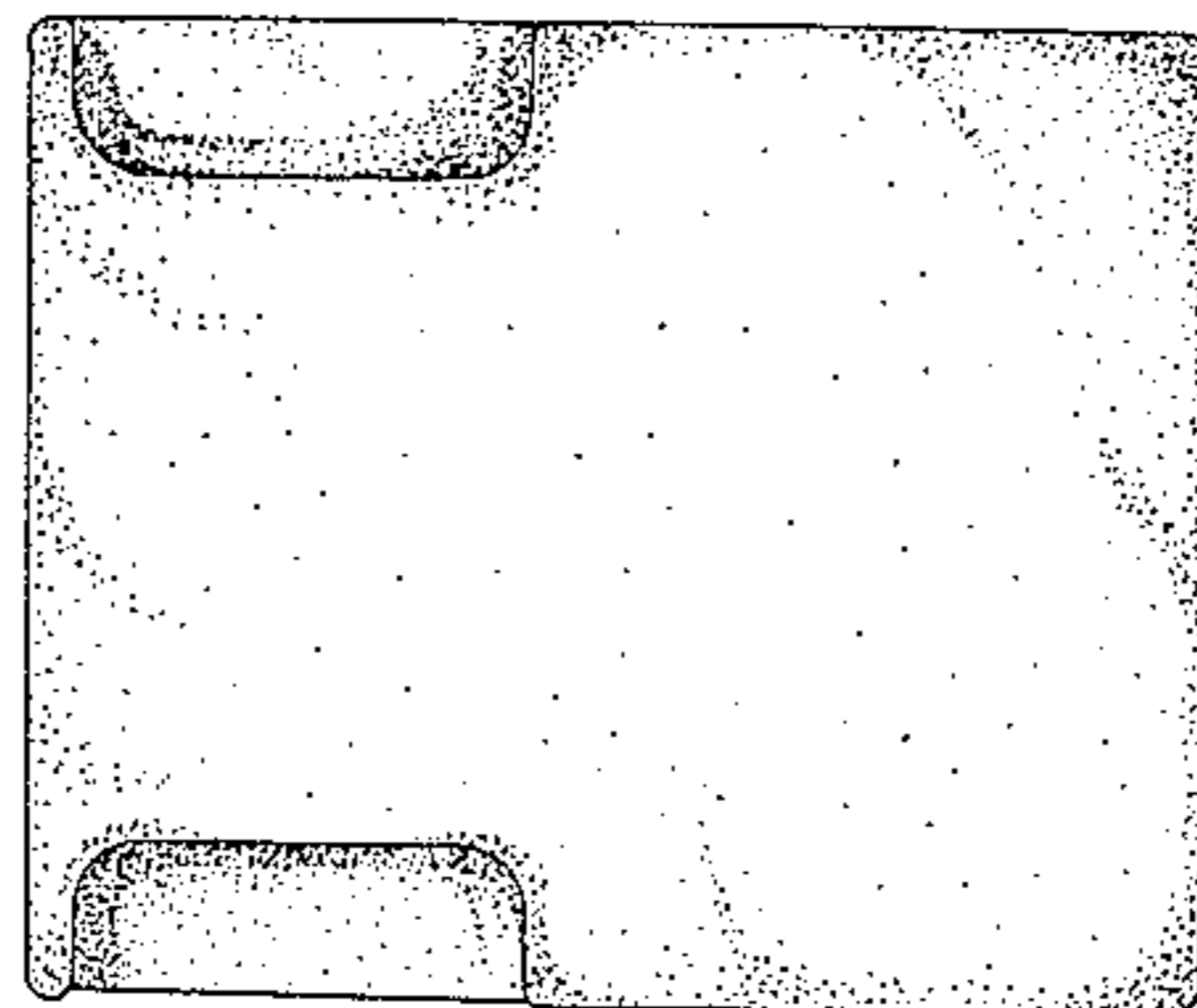
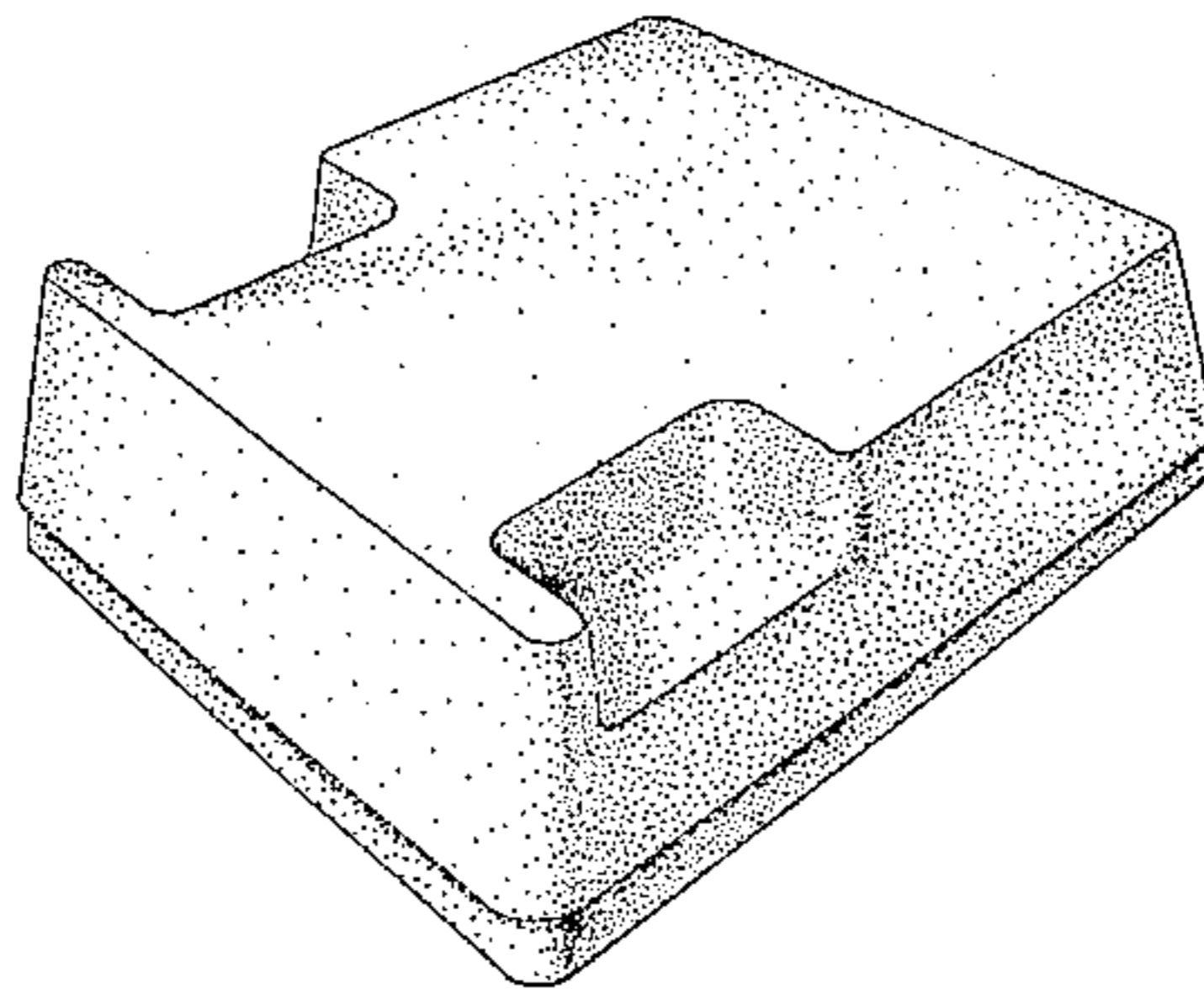


FIG. 1

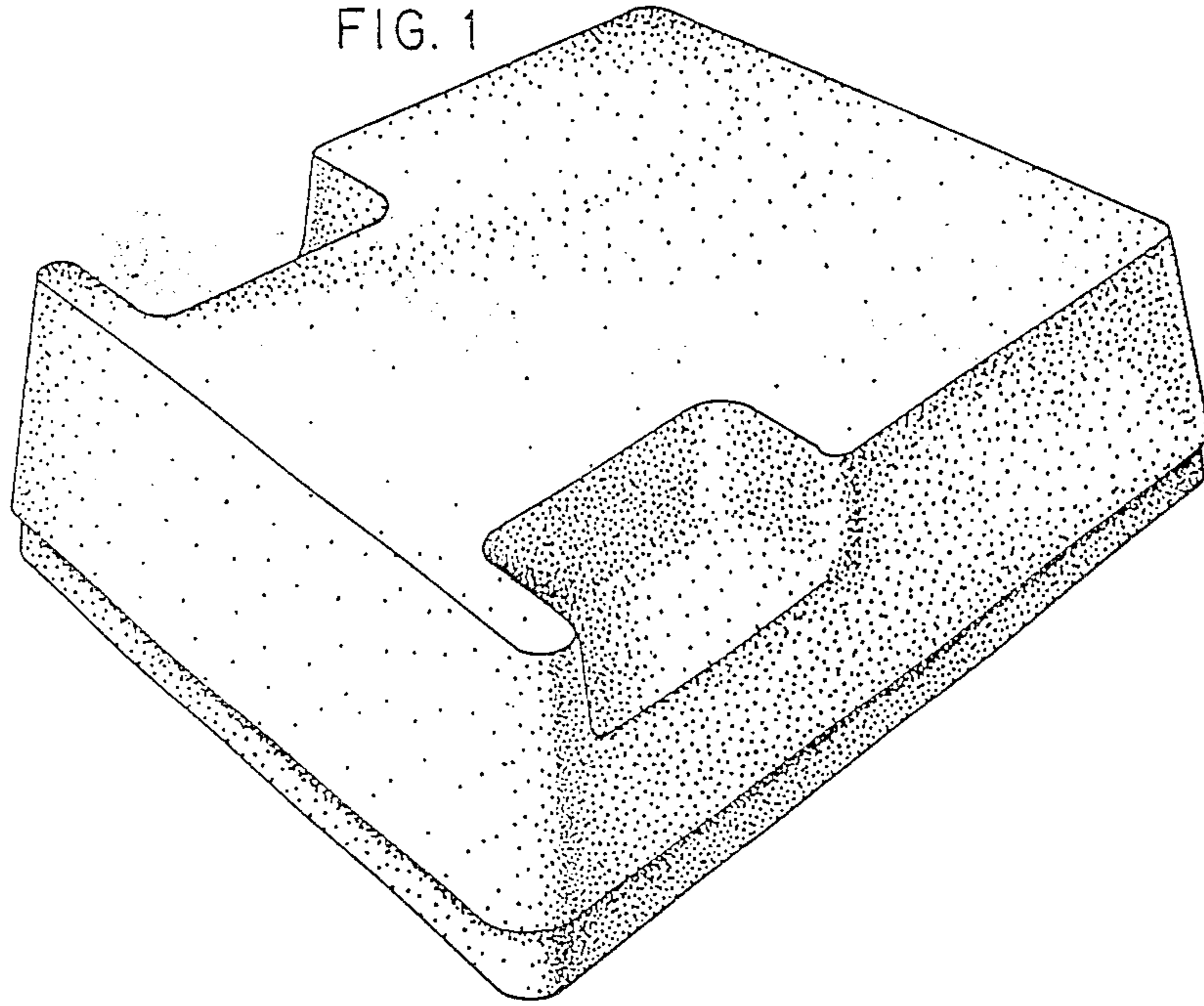


FIG. 2

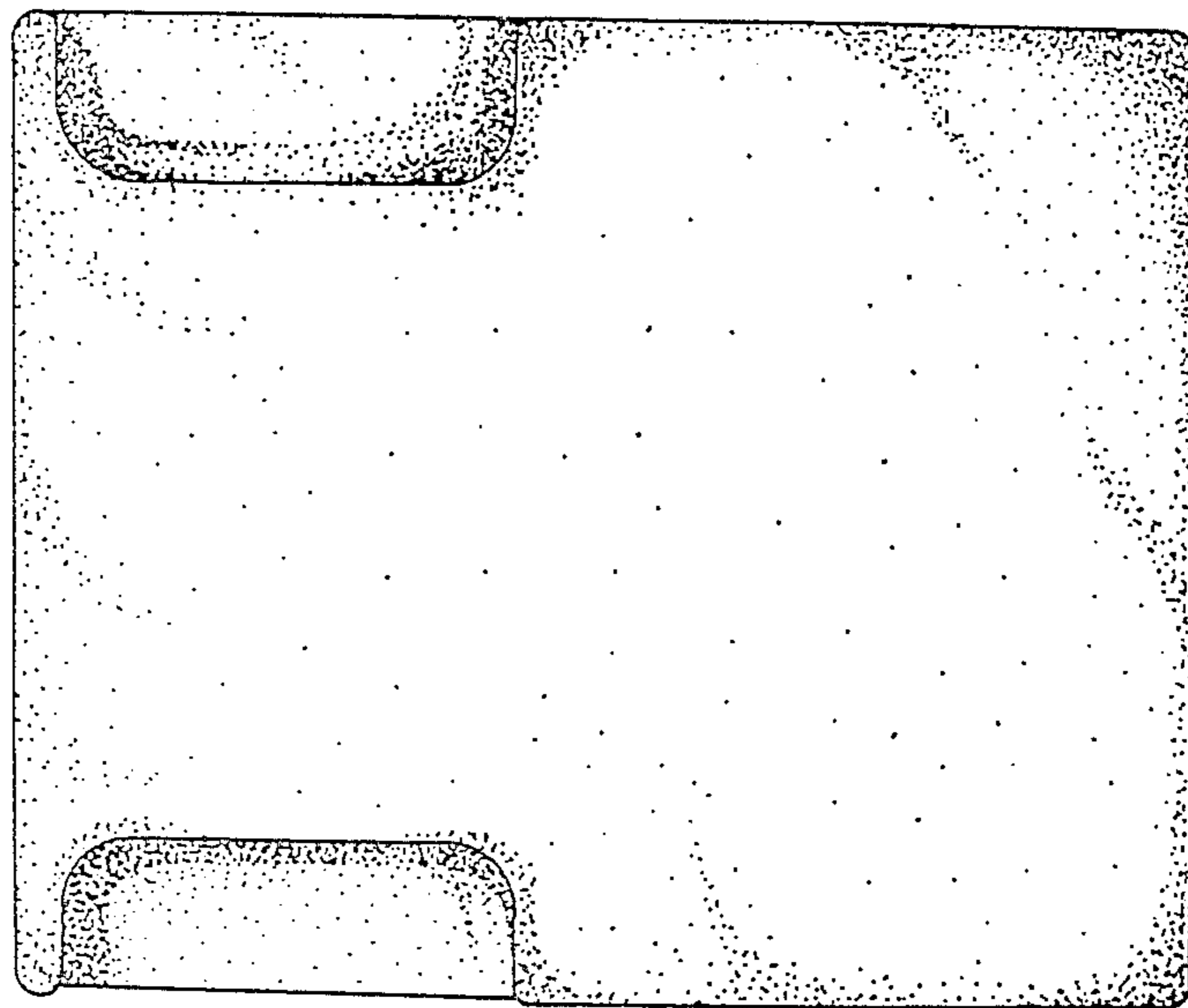


FIG. 3

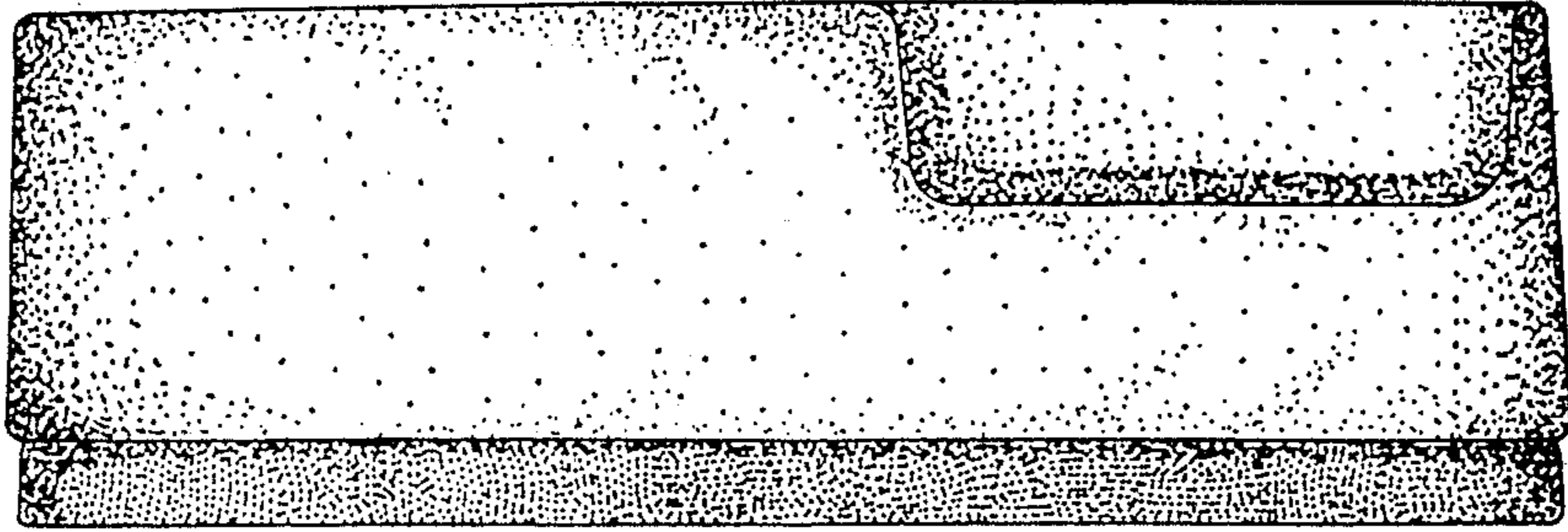


FIG. 4

