

[54] AUTOMOBILE GRILLE

[56] References Cited
PUBLICATIONS

[75] Inventors: Richard A. Teague, Franklin; Robert C. Nixon; George M. Krispinsky, both of Huntington Woods, all of Mich.

Road & Track, 8/81, p. 25, Renault 18i Front Grille, top of page.

Primary Examiner—James M. Gandy
Attorney, Agent, or Firm—Brooks & Kushman

[73] Assignee: American Motors Corporation, Southfield, Mich.

[57] CLAIM

The ornamental design for an automobile grille, as shown and described.

[**] Term: 14 Years

DESCRIPTION

[21] Appl. No.: 745,815

FIG. 1 is a perspective view of an automobile grille showing our new design;

FIG. 2 is an enlarged top plan view thereof;

FIG. 3 is an enlarged front elevational view thereof;

FIG. 4 is an enlarged top, front perspective view thereof;

FIG. 5 is a greatly enlarged side elevational view thereof;

FIG. 6 is a greatly enlarged side elevational view thereof opposite to that shown in FIG. 5; and

FIG. 7 is a sectional view thereof taken along line 7—7 in FIG. 3 to and enlarged scale.

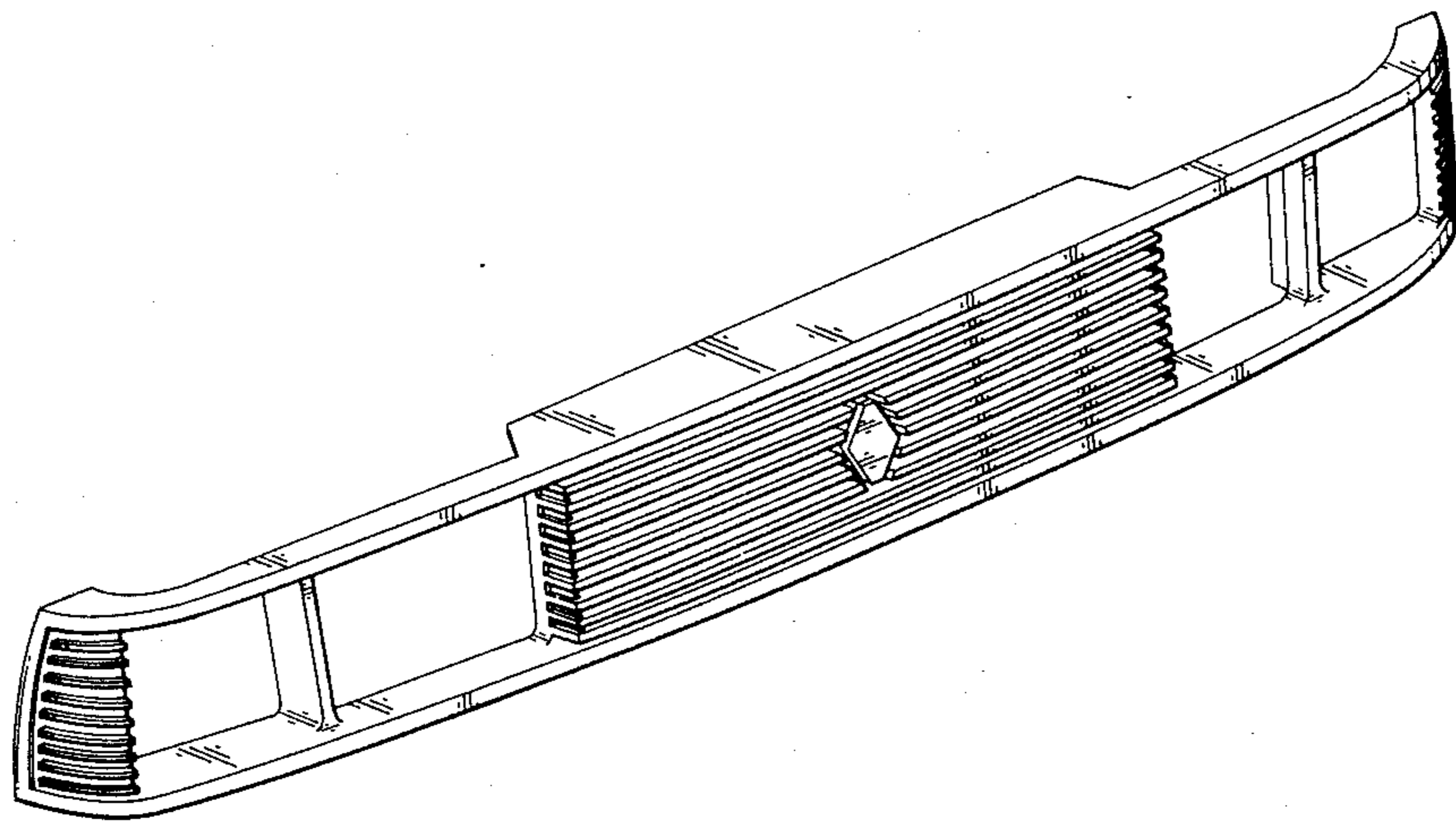
[22] Filed: Jun. 17, 1985

Related U.S. Application Data

[63] Continuation of Ser. No. 432,152, Sep. 30, 1982, abandoned.

[52] U.S. Cl. D12/163

[58] Field of Search D12/166, 163; 180/68.1, 180/68.4



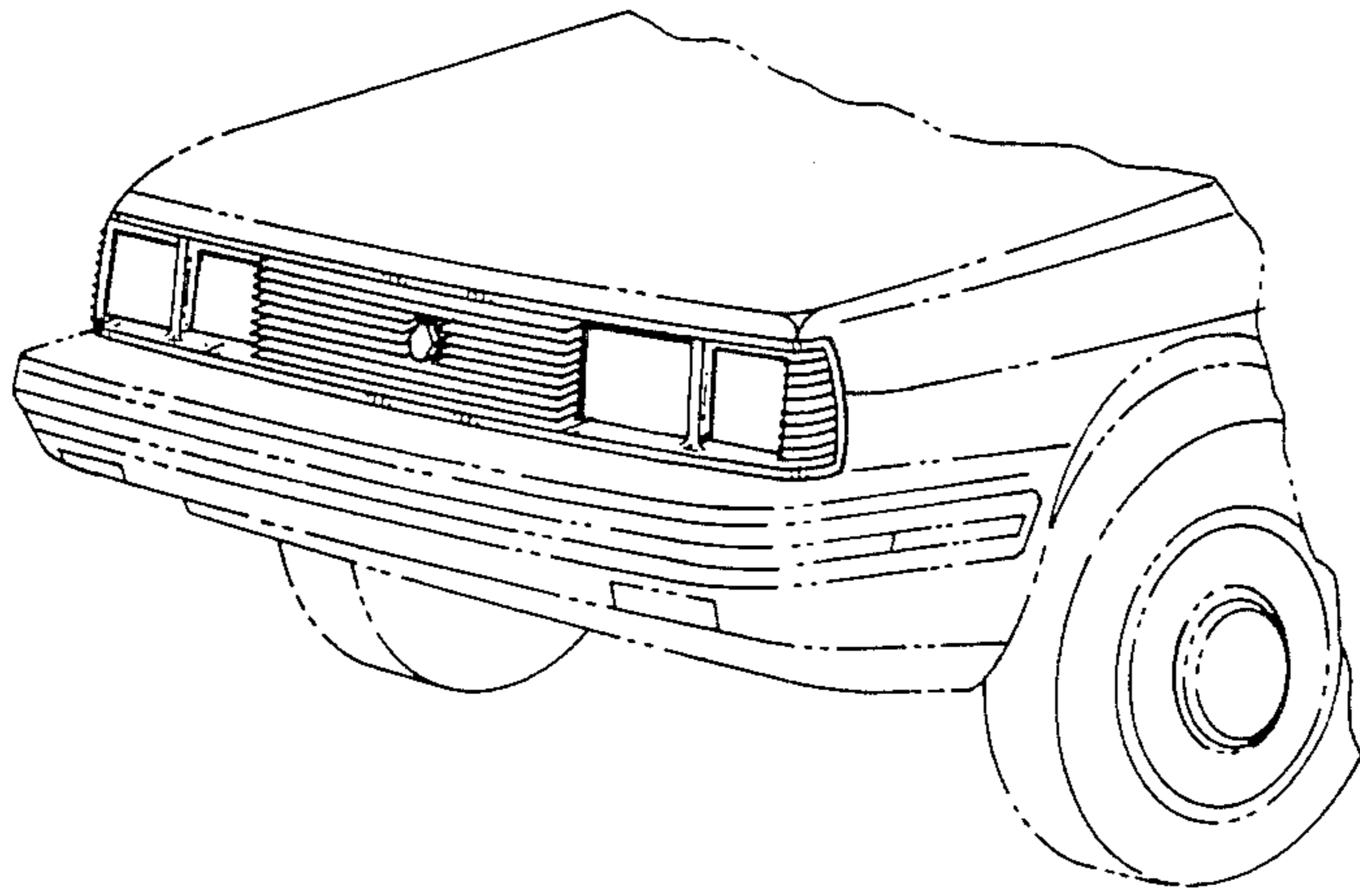


Fig. 1

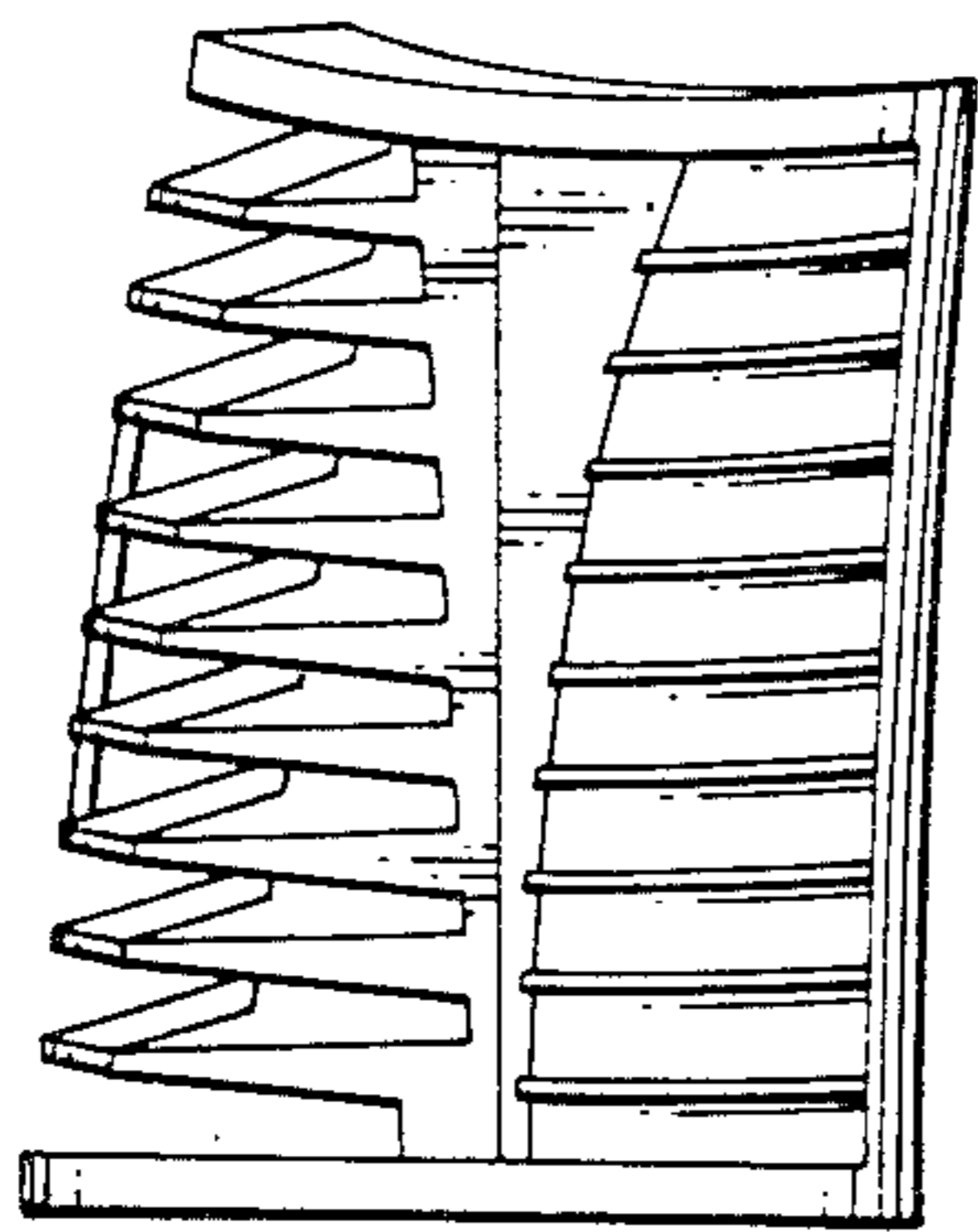


Fig. 5

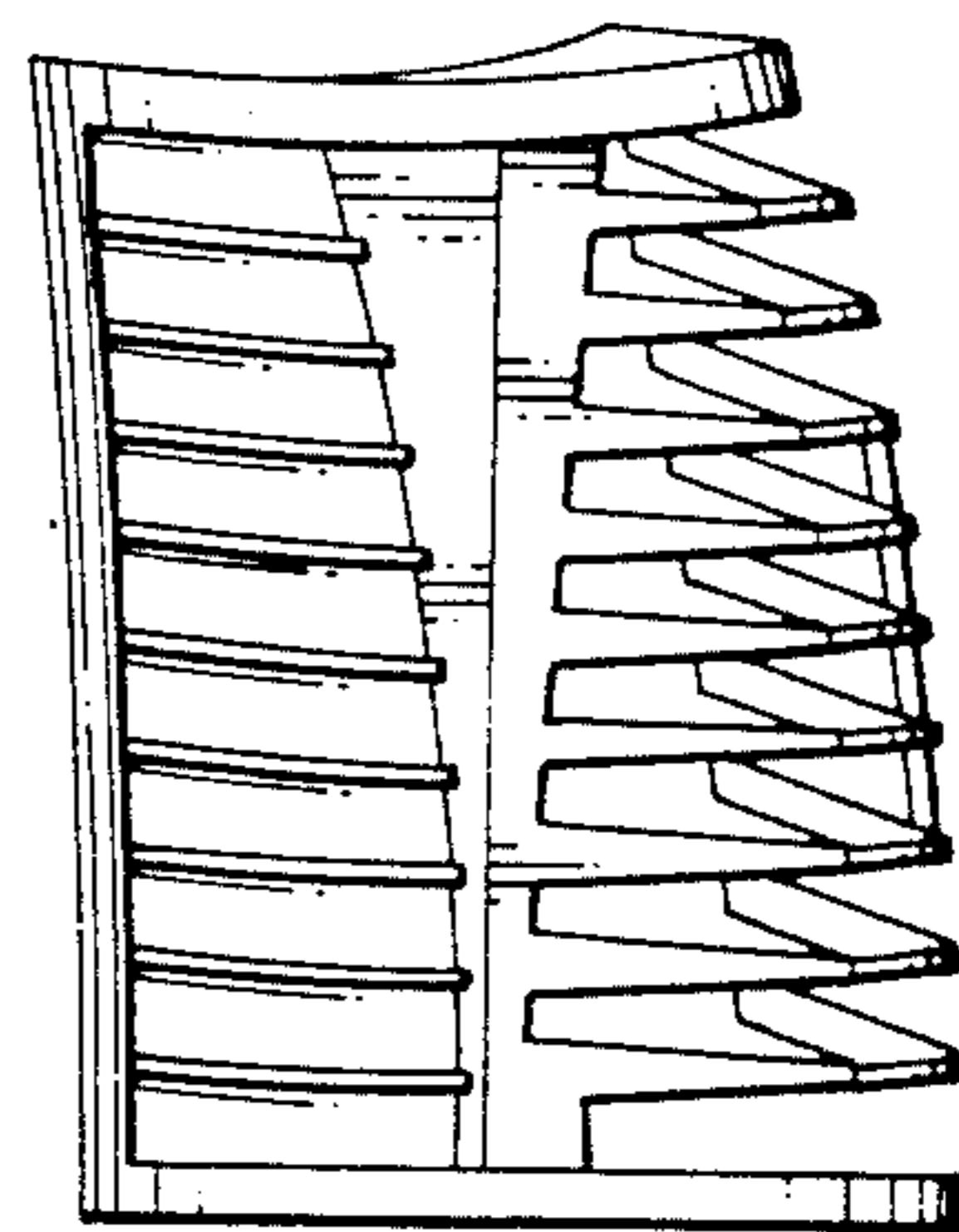


Fig. 6

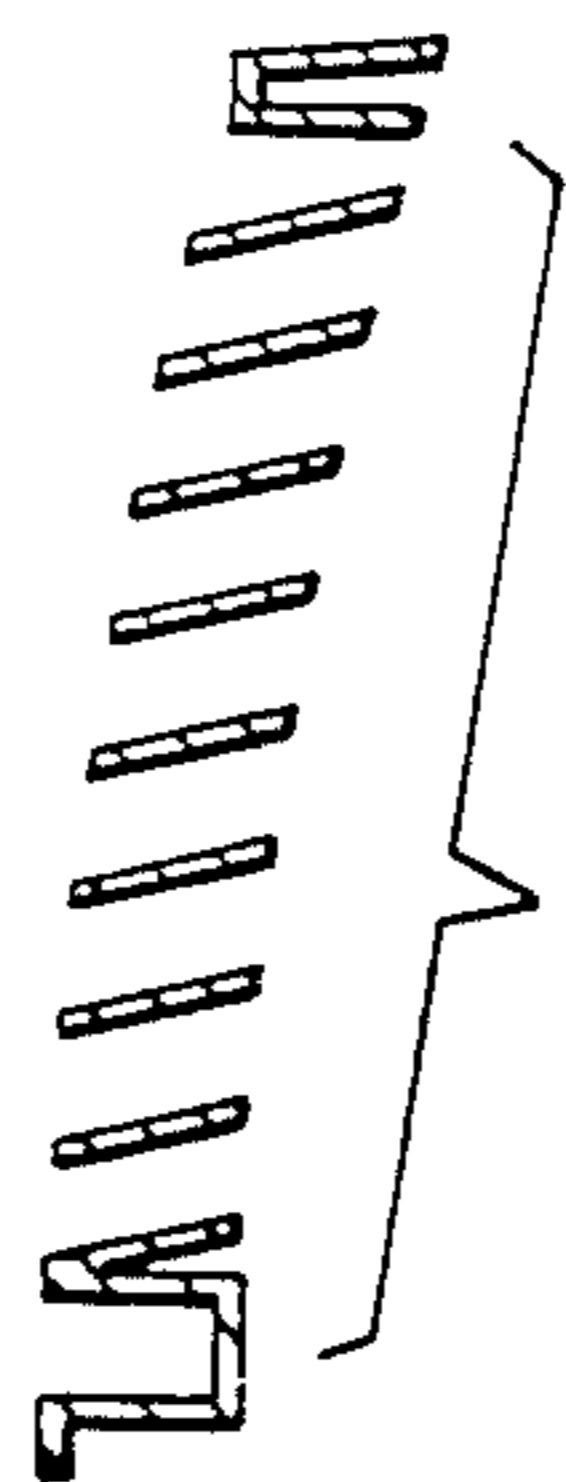
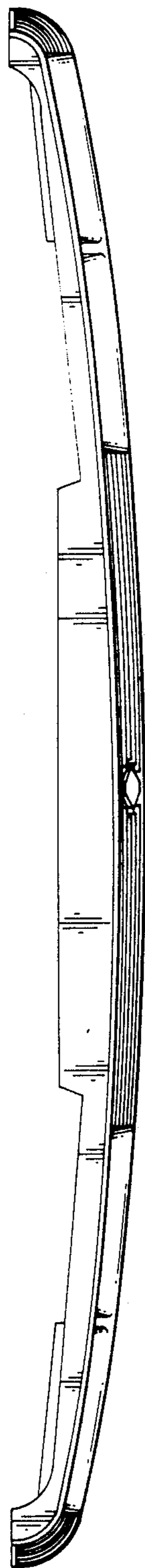
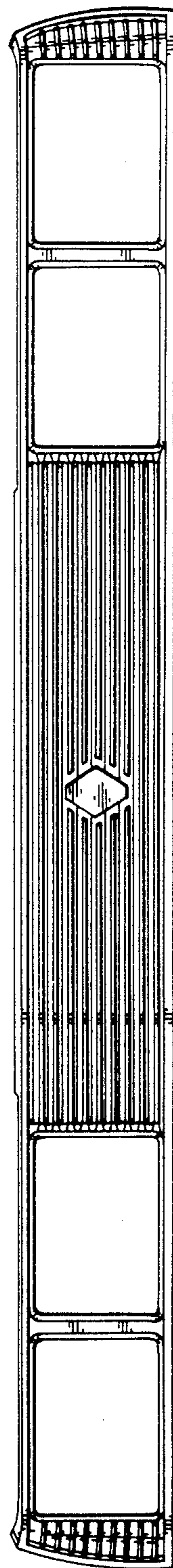


Fig. 7

Fig. 2



7 → |



7 → |

Fig. 3

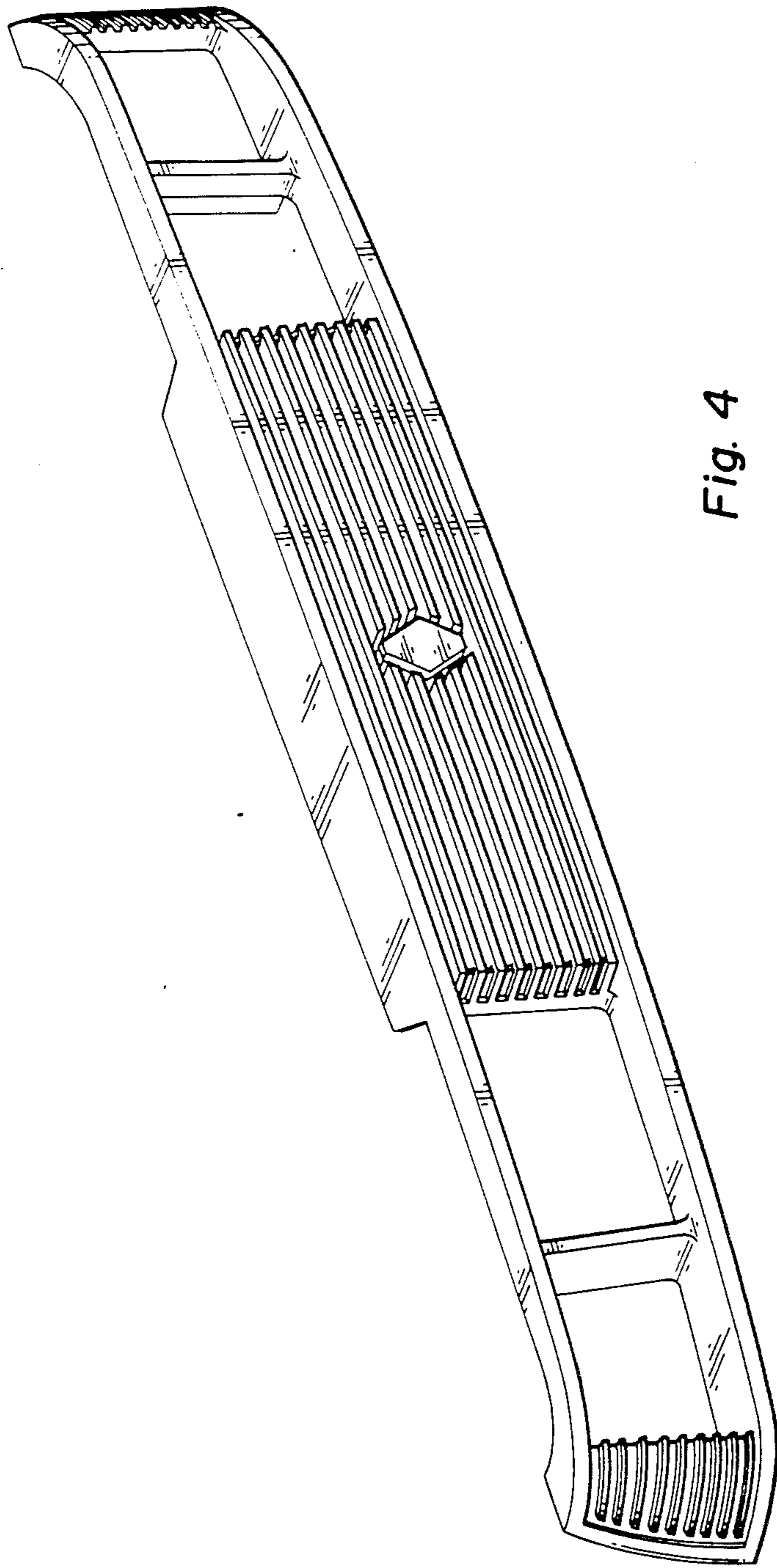


Fig. 4