

[54] **SIMULATIVE TOY WHISTLE**  
 [76] Inventor: **Glenn F. Henry**, 3131 W. Jefferson St., Joilet, Ill. 60435  
 [\*\*] Term: **14 Years**  
 [21] Appl. No.: **569,414**  
 [22] Filed: **Jan. 9, 1984**  
 [52] U.S. Cl. .... **D10/119; D21/129**  
 [58] Field of Search ..... **D10/119; D21/129, 64; 446/404, 151, 150; 116/137**

D. 263,382 3/1982 Moore ..... D10/119

*Primary Examiner*—Charles A. Rademaker  
*Attorney, Agent, or Firm*—Ernest Kettelson

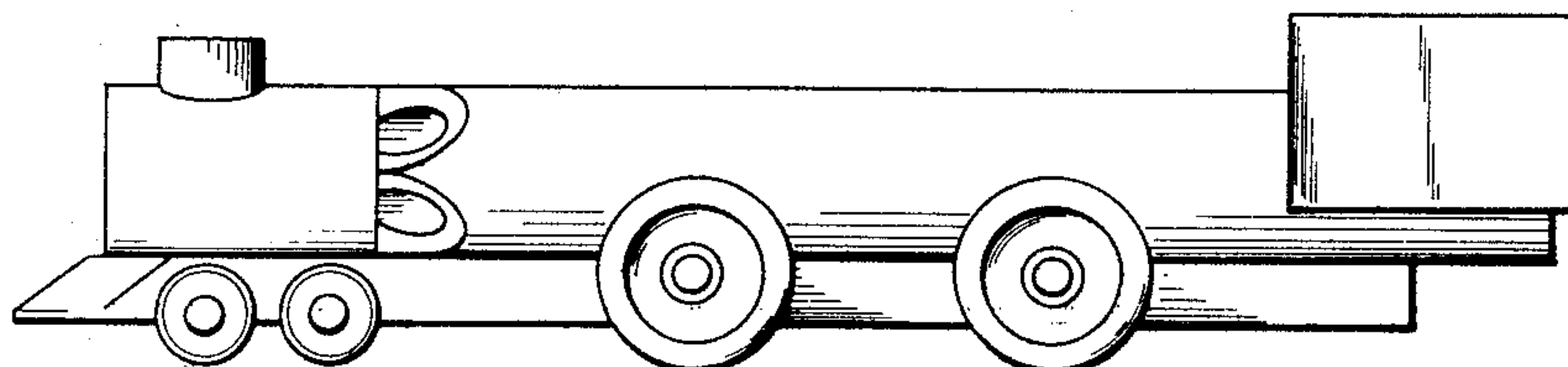
[57] **CLAIM**

The ornamental design for a simulative toy whistle; as shown and described.

**DESCRIPTION**

FIG. 1 is a top plan view of a simulative toy whistle showing my new design;  
 FIG. 2 is a side elevational view thereof;  
 FIG. 3 is a bottom plan view thereof;  
 FIG. 4 is a front elevational view thereof;  
 FIG. 5 is a rear elevational view thereof; and,  
 FIG. 6 is a side elevational view of the side opposite that shown in FIG. 2.

[56] **References Cited**  
**U.S. PATENT DOCUMENTS**  
 D. 43,806 4/1913 Tollefson ..... D10/119  
 D. 53,856 9/1919 Monosmith ..... D21/129  
 D. 173,649 12/1954 Fleishman ..... D10/119



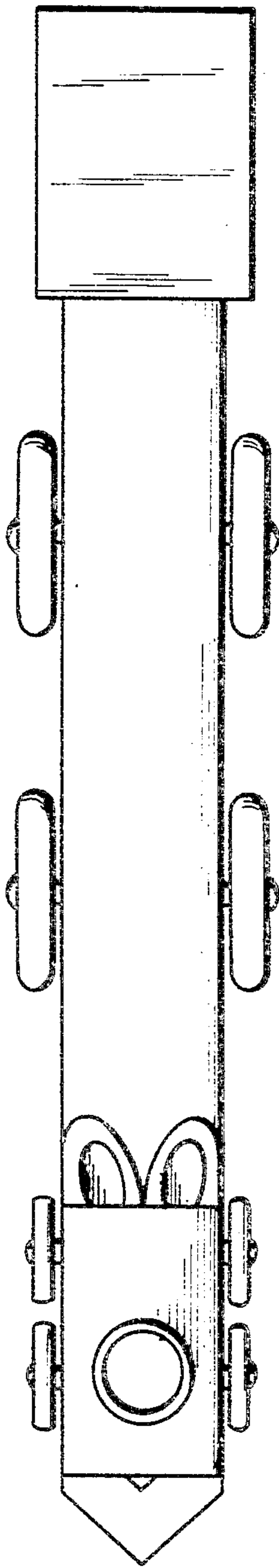


Fig. 1

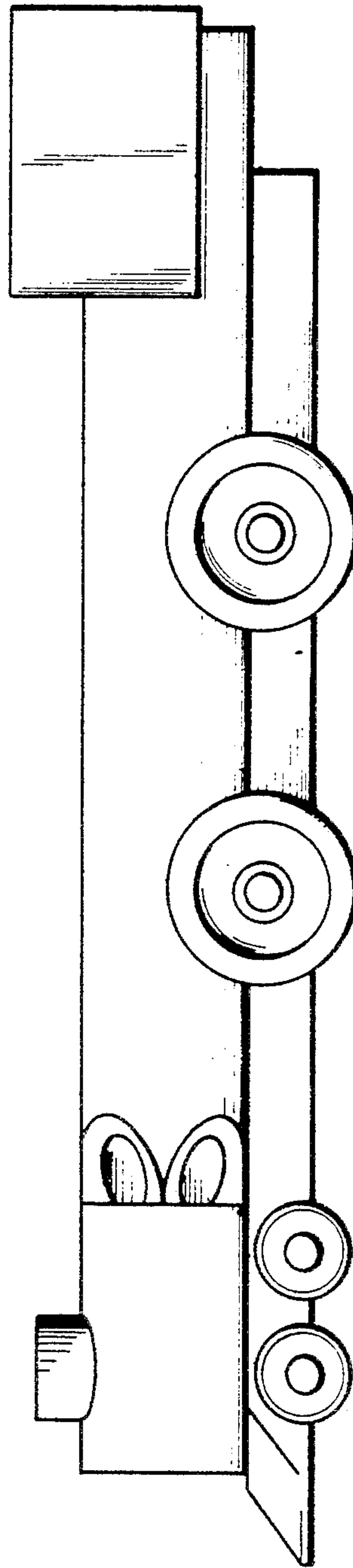


Fig. 2

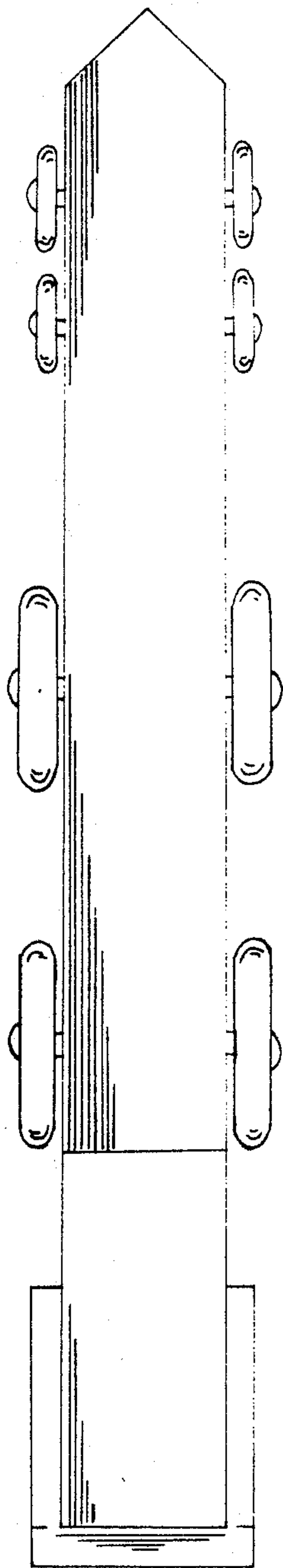


Fig. 3

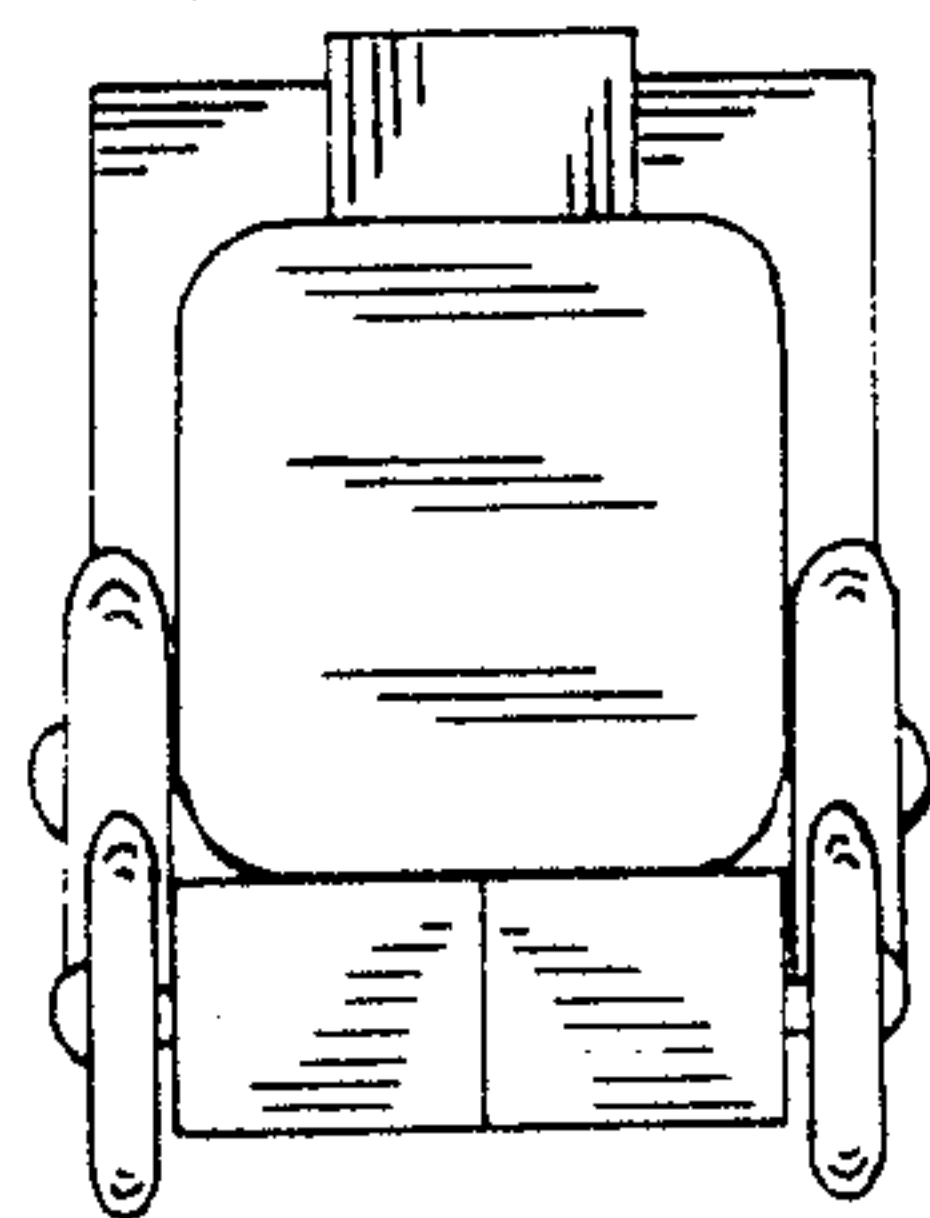


Fig. 4

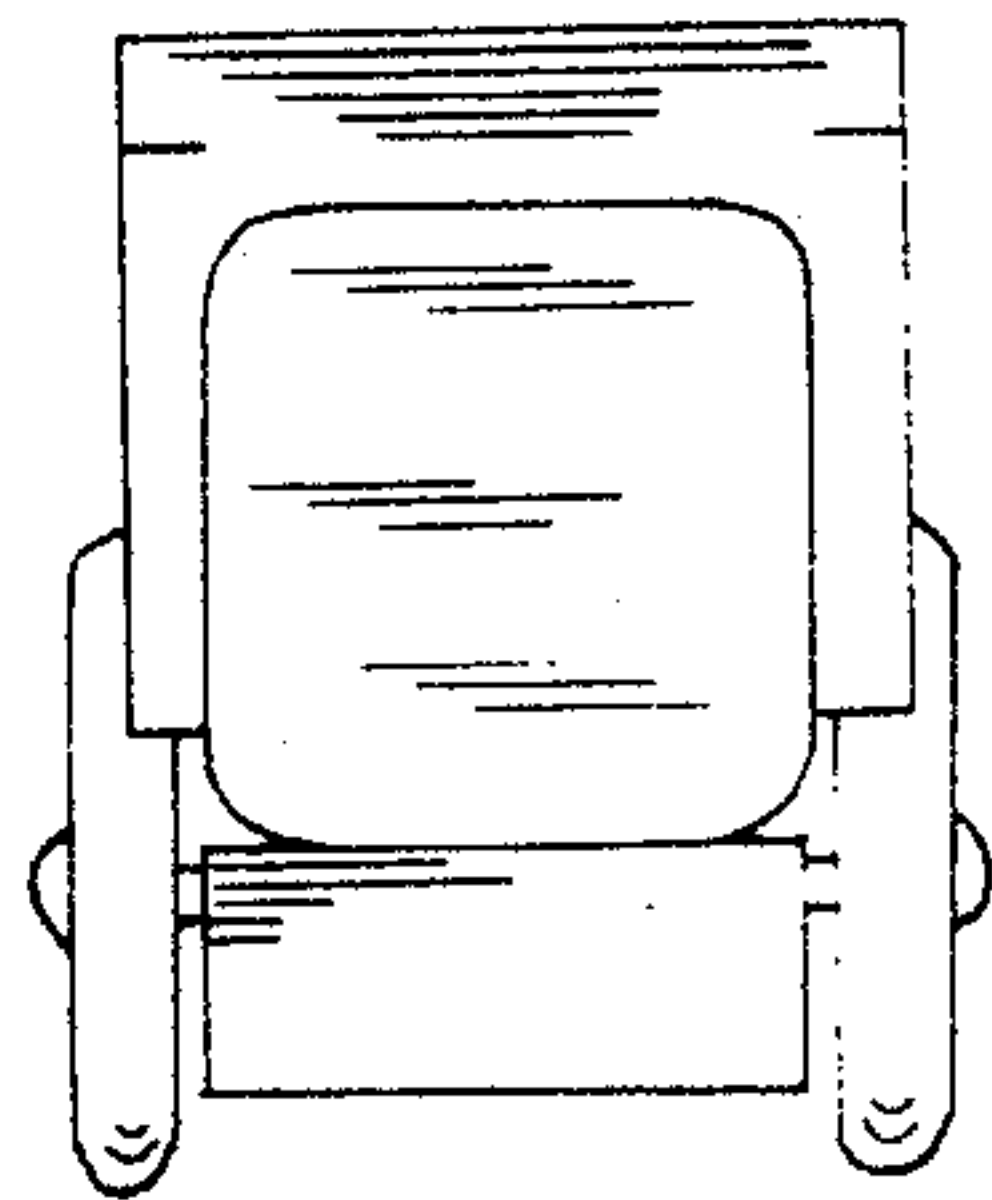


Fig. 5

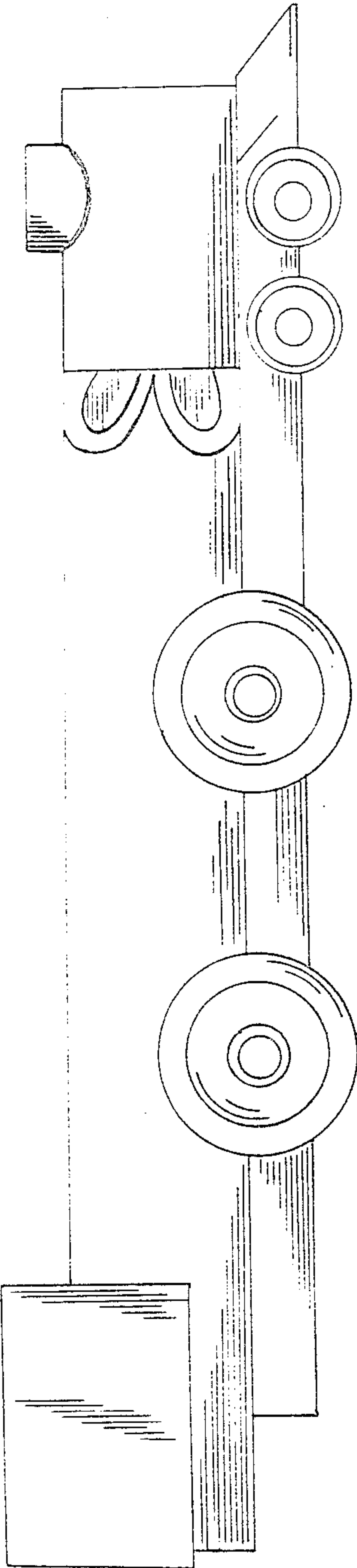


Fig. 6