

[54] QUICK CONNECTING CYLINDER AIR LEAKAGE TESTER

[75] Inventor: Edward Evenson, Chicago, Ill.

[73] Assignee: Milton Industries, Inc., Chicago, Ill.

[\*\*] Term: 14 Years

[21] Appl. No.: 516,738

[22] Filed: Jul. 25, 1983

[52] U.S. Cl. .... D10/85; D10/46

[58] Field of Search ..... D10/46, 102, 103, 85; 73/756, 40.5 R

[56] References Cited

U.S. PATENT DOCUMENTS

D. 149,974 6/1948 Rupley ..... D10/46 X

D. 192,939	5/1962	Blowers .....	D10/75 X
D. 255,225	6/1980	Lewis .....	D10/102
D. 274,227	6/1984	Cain .....	D10/83
4,005,847	2/1977	Ekman .....	73/756 X
4,319,492	3/1982	Hewson .....	73/756

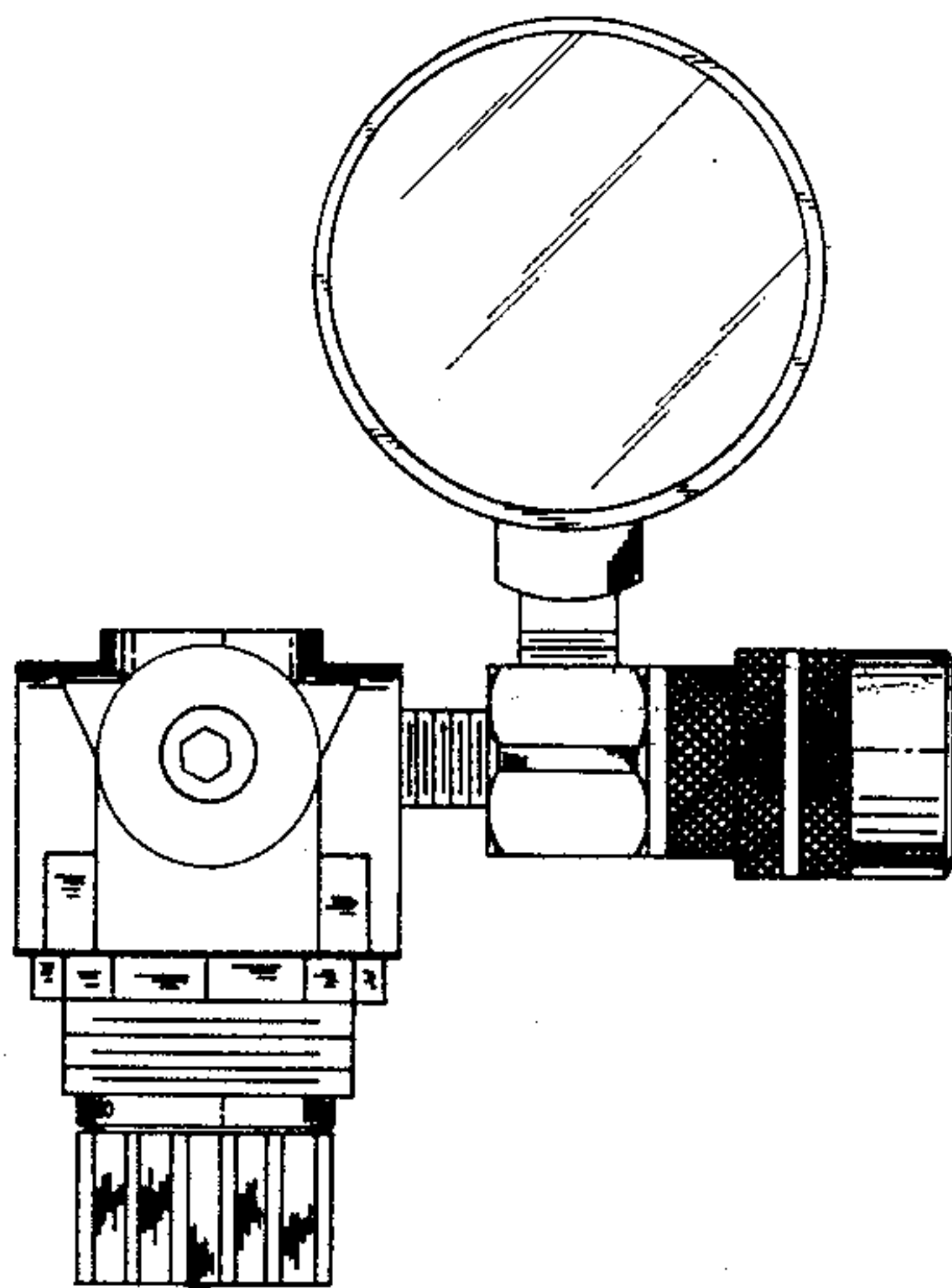
Primary Examiner—Nelson C. Holtje

[57] CLAIM

The ornamental design for a quick connecting cylinder air leakage tester, as shown and described.

DESCRIPTION

FIG. 1 is a left side elevational view of a quick connecting cylinder air leakage tester showing my new design; FIG. 2 is a front elevational view thereof; FIG. 3 is a right side elevational view thereof; FIG. 4 is a rear elevational view thereof; FIG. 5 is an inverted top plan view thereof.



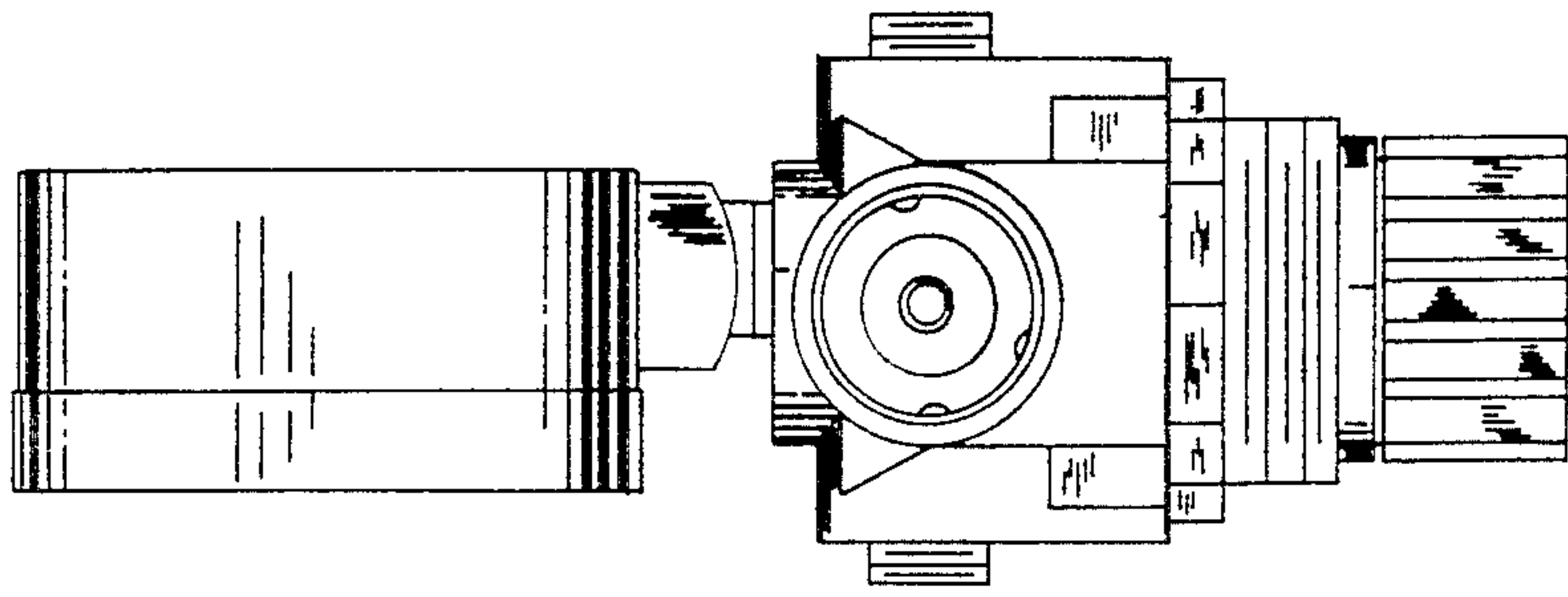


FIG. 3

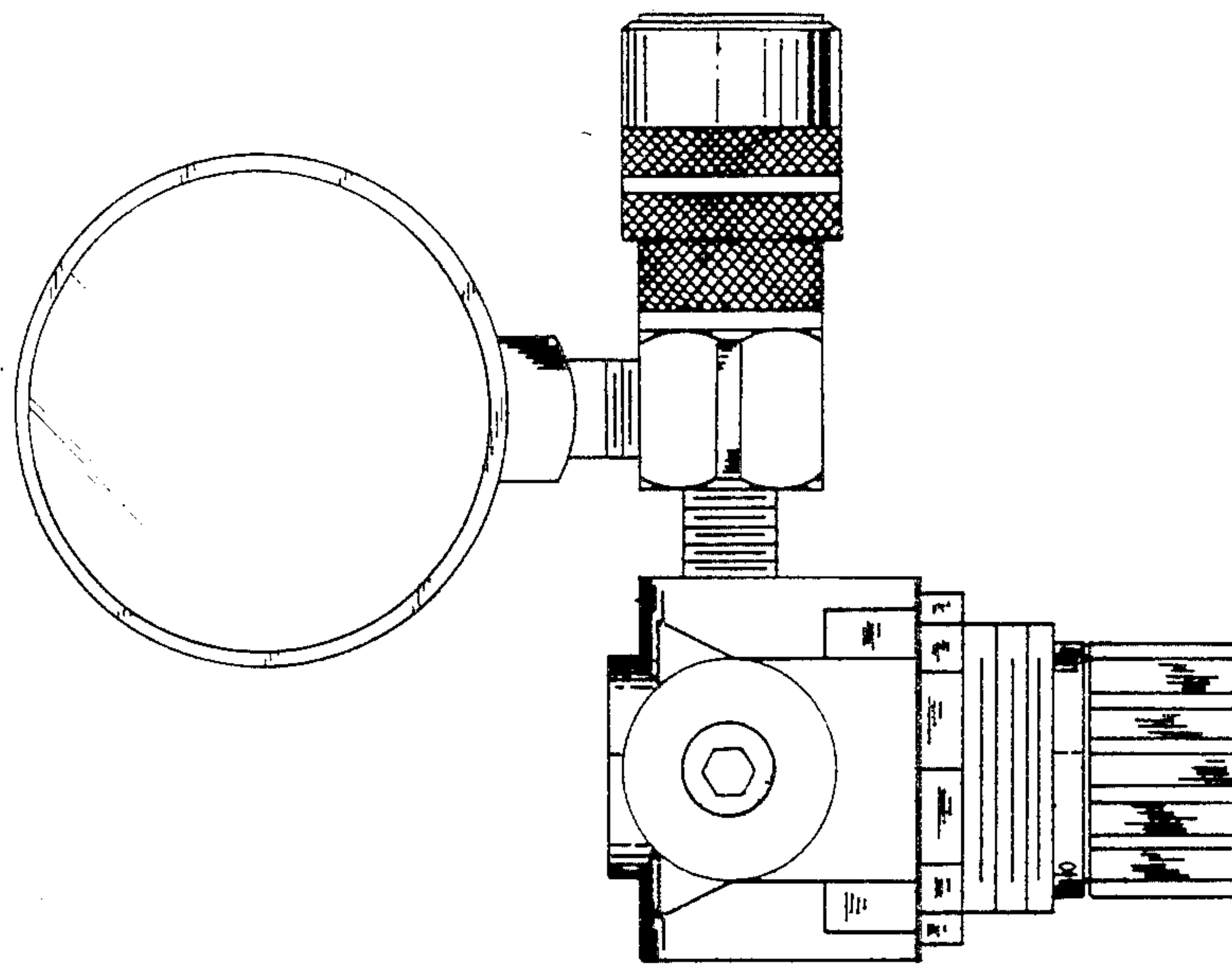


FIG. 2

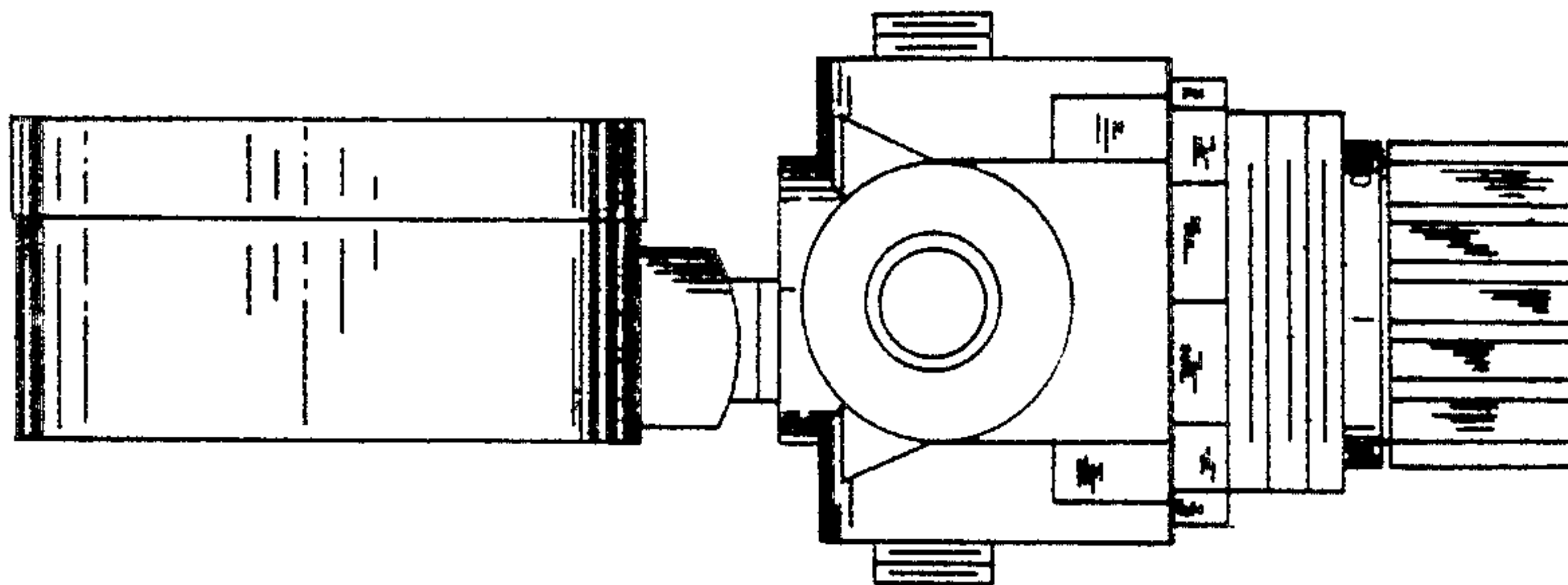


FIG. 1

