

[54] ELECTRICAL OUTLET COVER PLATE ENCLOSURE THEREFOR

3,198,373	8/1965	Ramsing	220/242
3,204,807	9/1965	Ramsing	220/242
3,716,815	2/1973	Riches	220/3.8
4,197,959	4/1980	Kramer	174/67

[75] Inventor: Daniel P. Henkel, Kunkletown, Pa.

[73] Assignee: Square D Company, Palatine, Ill.

[*] Notice: The portion of the term of this patent subsequent to Mar. 20, 1998 has been disclaimed.

[**] Term: 14 Years

[21] Appl. No.: 548,521

[22] Filed: Nov. 3, 1983

Primary Examiner—B. J. Bullock
Attorney, Agent, or Firm—Stephen A. Litchfield;
Richard T. Guttman

[57] CLAIM

The ornamental design for an electrical outlet cover plate enclosure therefor, substantially as shown and described.

DESCRIPTION

FIG. 1 is a top perspective view of an electrical outlet cover plate and enclosure therefor showing my new design in the closed position;
FIG. 2 is a perspective view in the opened position;
FIG. 3 is a bottom perspective view in the closed position;
FIG. 4 is a bottom perspective view in the opened position;
FIG. 5 is a rear elevational view thereof;
FIG. 6 is a top plan view thereof;
FIG. 7 is a side elevational view taken from the front of FIG. 1.

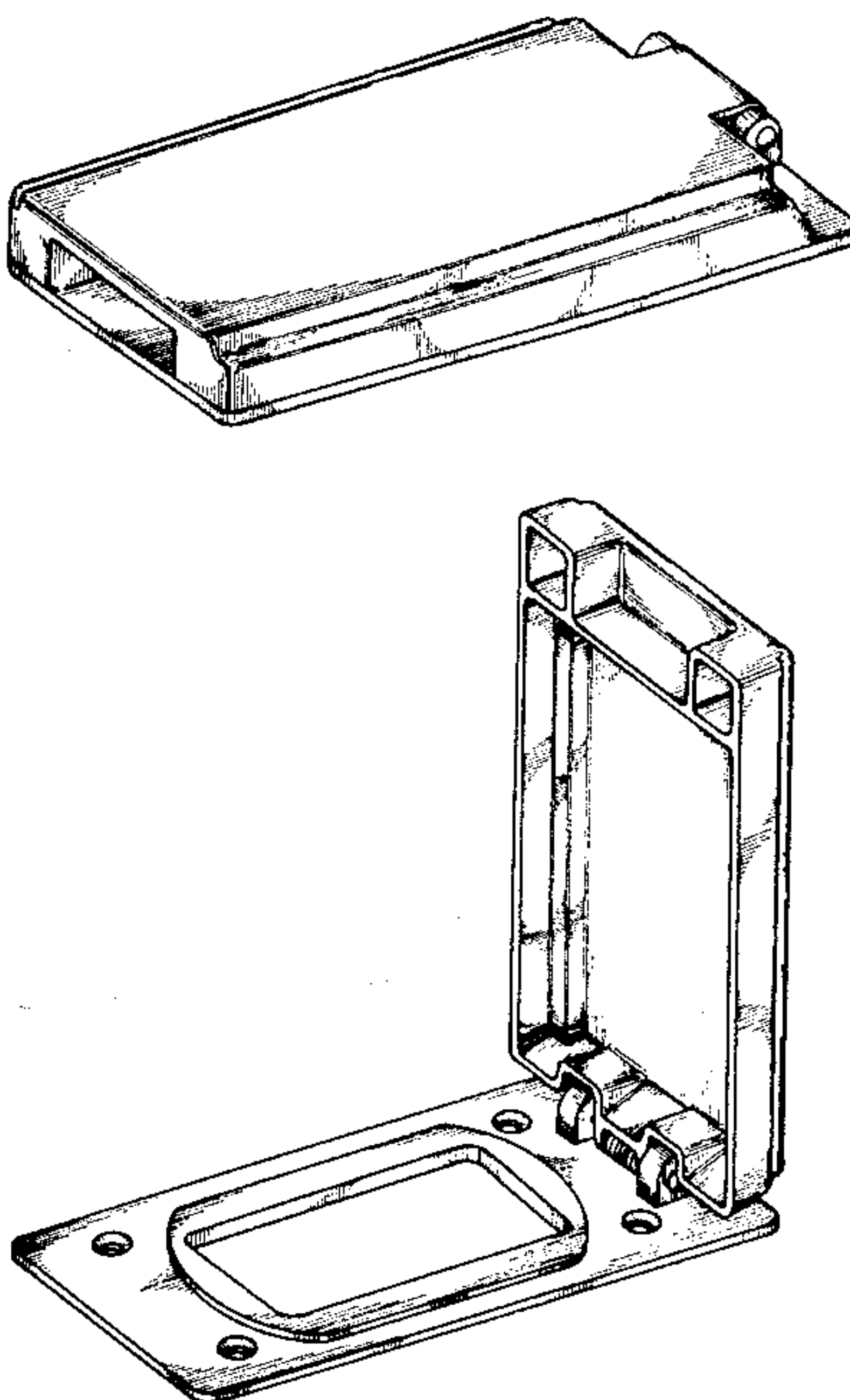
Related U.S. Application Data

- [63] Continuation-in-part of Ser. No. 307,407, Oct. 1, 1981, Pat. No. D. 273,084.
- [52] U.S. Cl. D8/353; D13/31
- [58] Field of Search D6/350-353; D13/30, 31; 174/66, 67; 220/3.8, 242; 339/44 R

References Cited

U.S. PATENT DOCUMENTS

- D. 253,225 10/1979 Petralia et al. D8/353
- D. 273,084 3/1984 Henkel D8/353



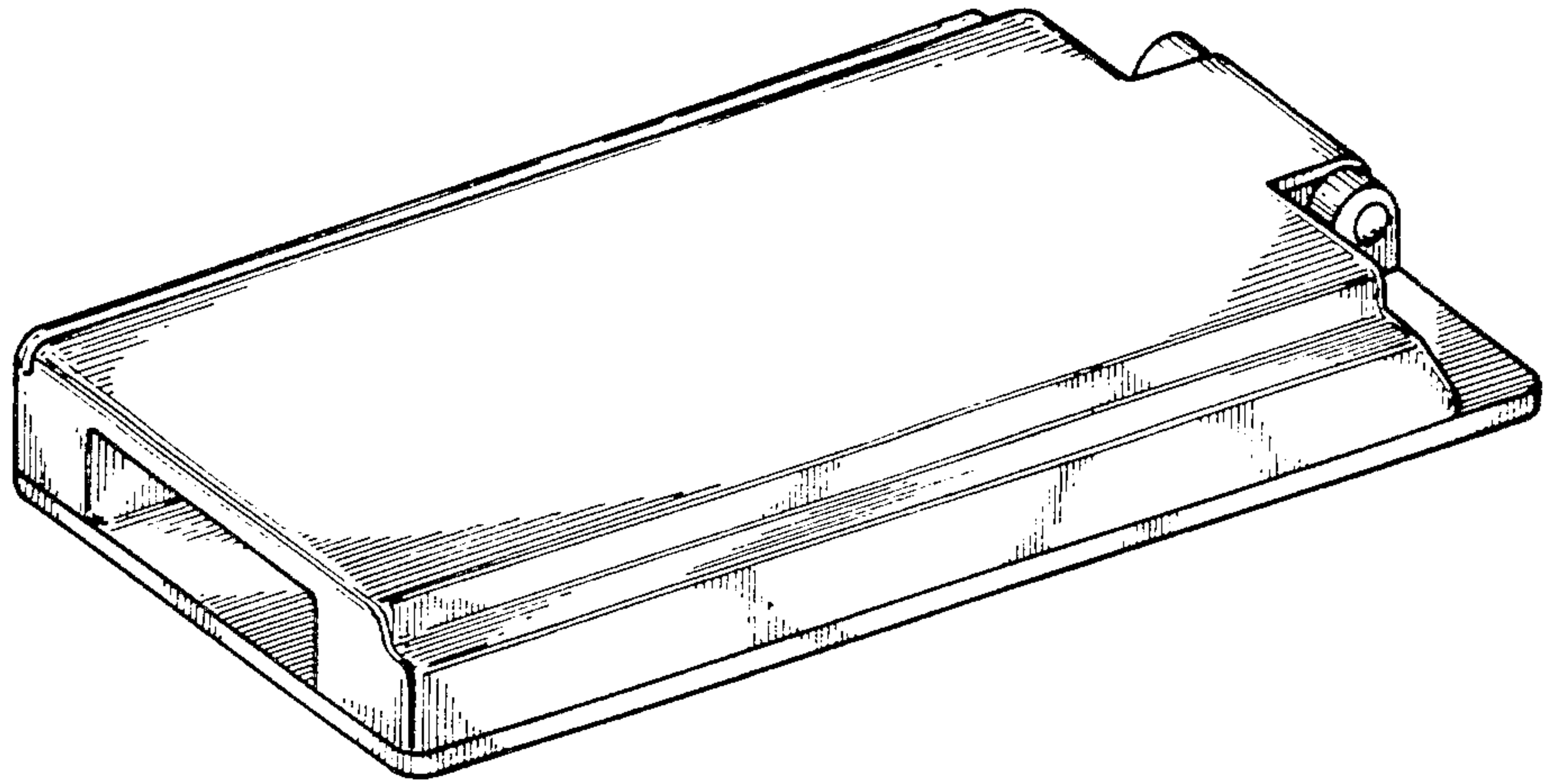


Fig. 1

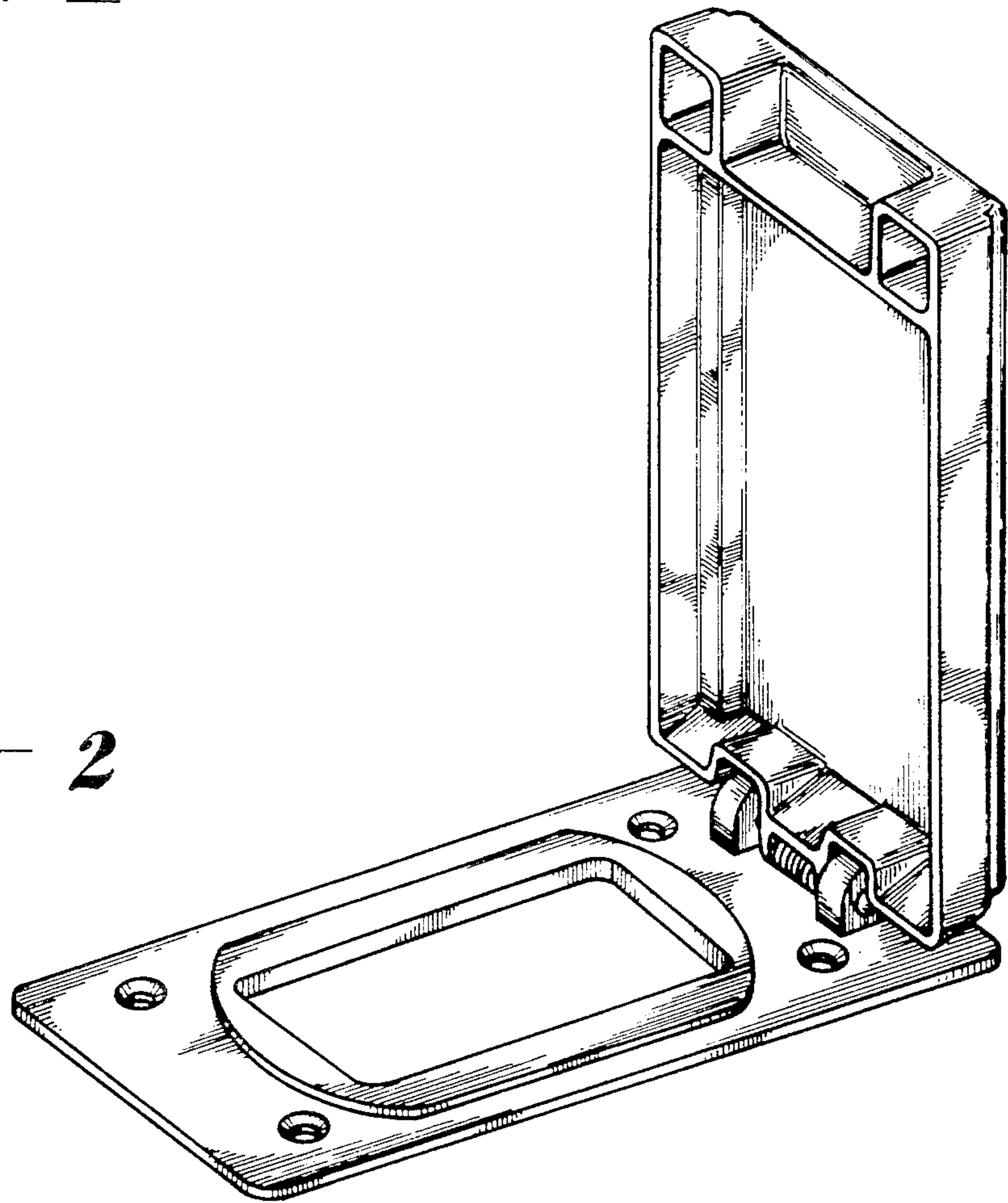


Fig. 2

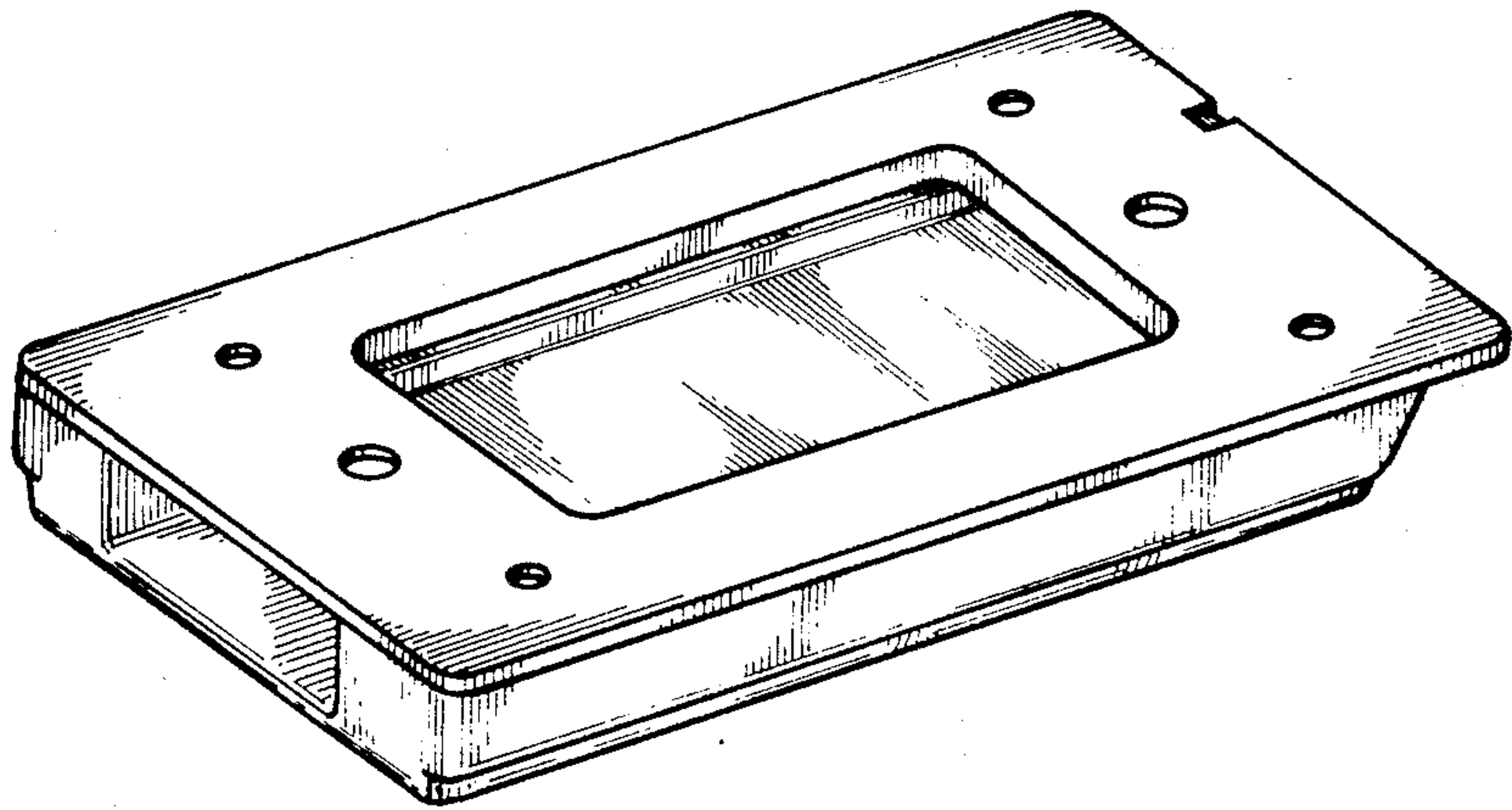


Fig. 3

Fig. 4

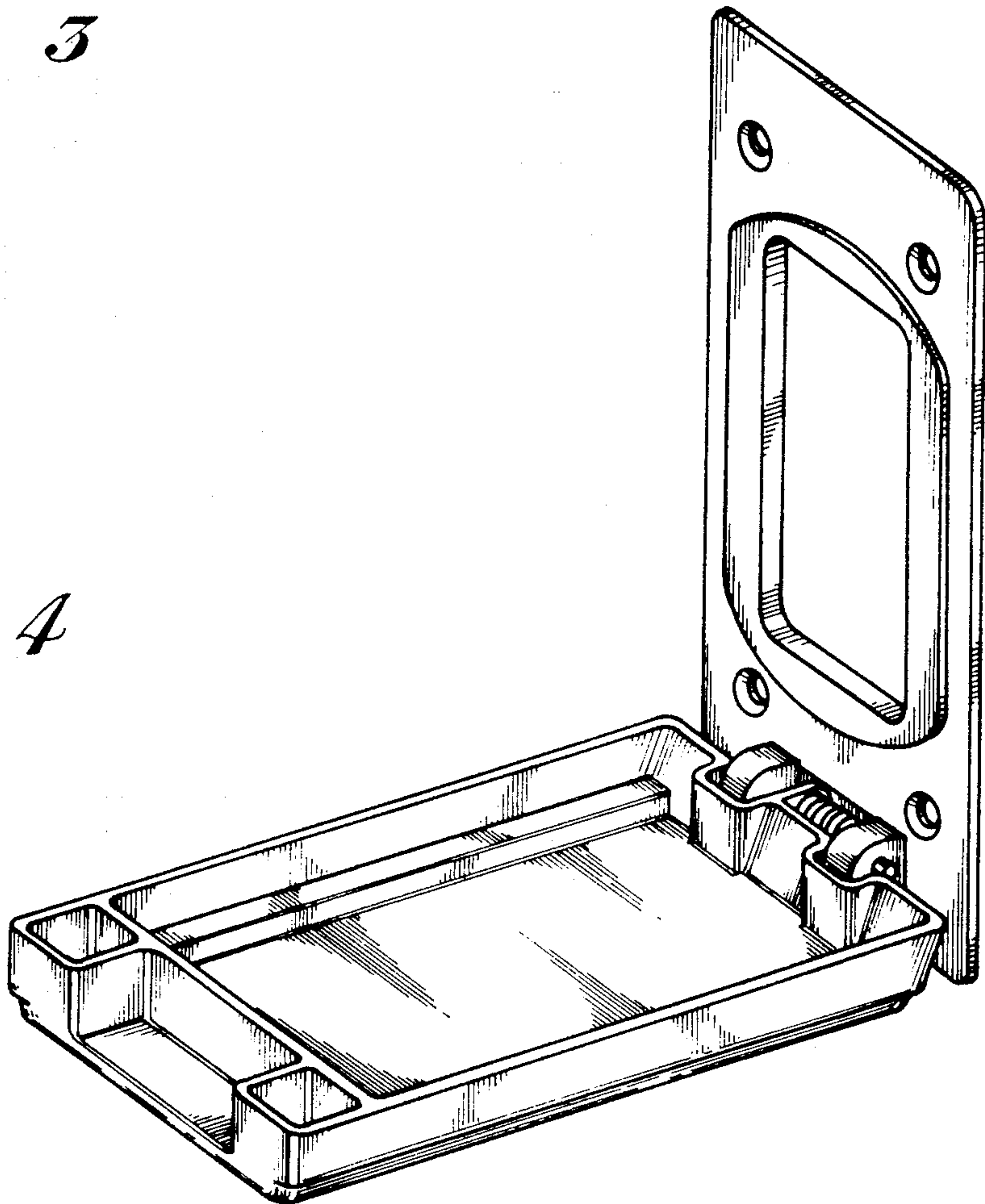




Fig. 5

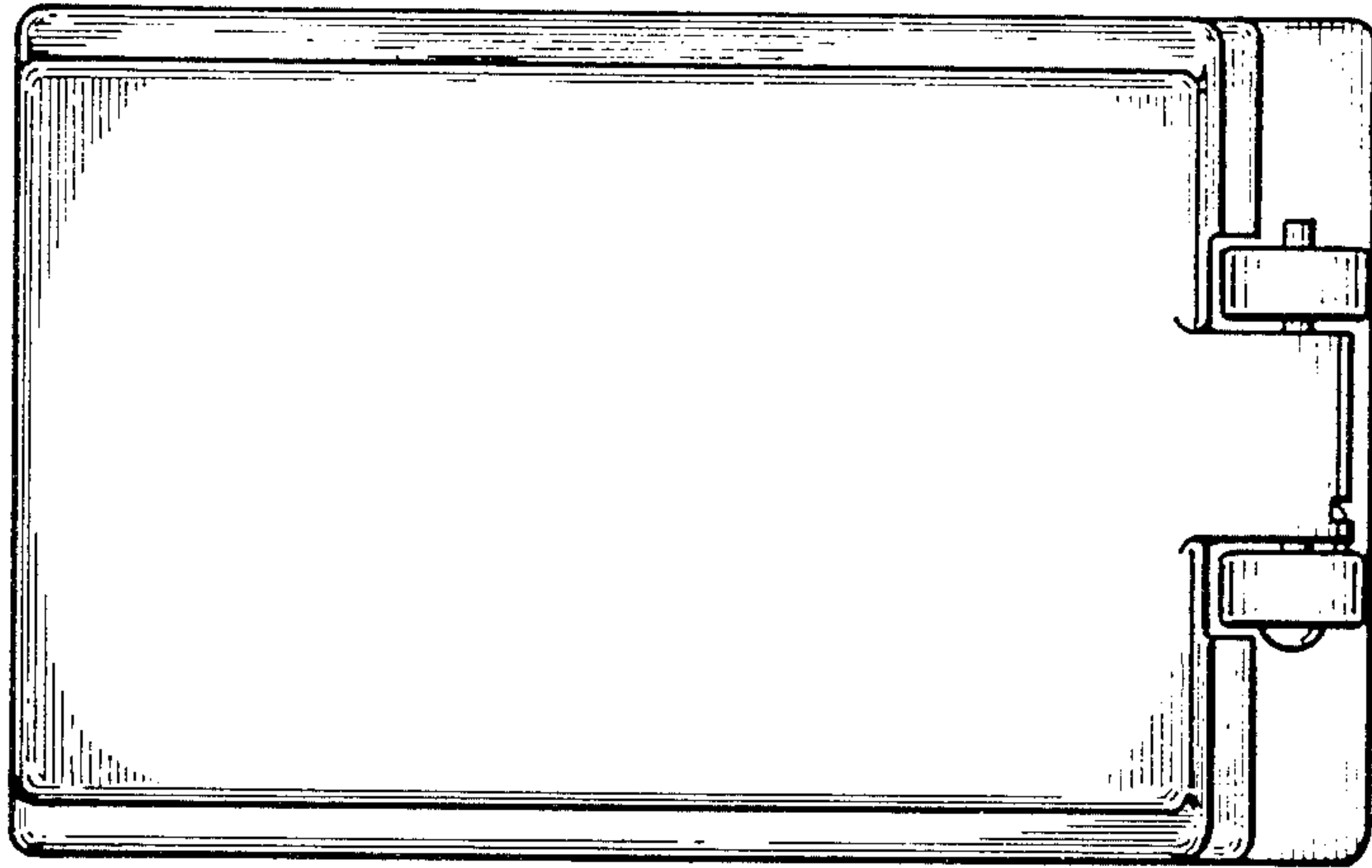


Fig. 6

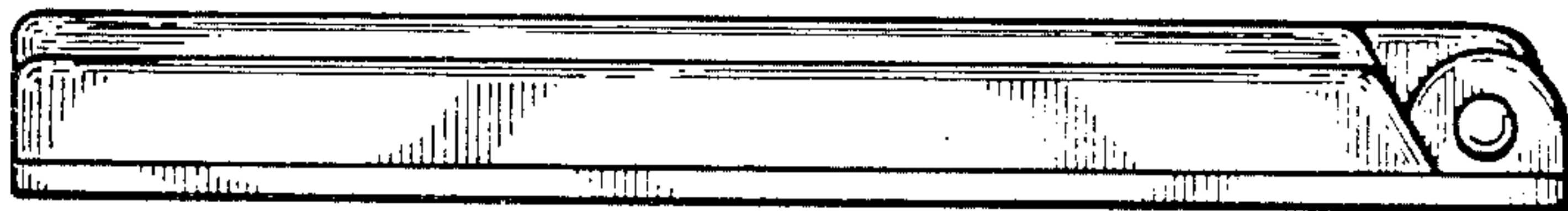


Fig. 7