

[54] **DOOR LOCK GUARD**
[76] **Inventor: Richard E. Parker, 1417 Nebraska Ave., Palm Harbor, Fla. 33563**
[**] **Term: 14 Years**
[21] **Appl. No.: 475,929**
[22] **Filed: Mar. 16, 1983**
[52] **U.S. Cl. D8/322; D8/330**
[58] **Field of Search D8/330, 331, 322; 70/428, 158; 292/347**

3,245,240 4/1966 Forrest 70/209
3,340,709 8/1967 Callahan 70/428
4,007,956 2/1977 Harris et al. 292/347

Primary Examiner—B. J. Bullock
Assistant Examiner—Suzanne N. Gitlin
Attorney, Agent, or Firm—Norman B. Rainer

[57] **CLAIM**

The ornamental design for a door lock guard, substantially as shown and described.

DESCRIPTION

FIG. 1 is a front and side perspective view of a door lock guard showing my new design in the closed position, the broken line showing of a padlock are for illustrative purposes only;

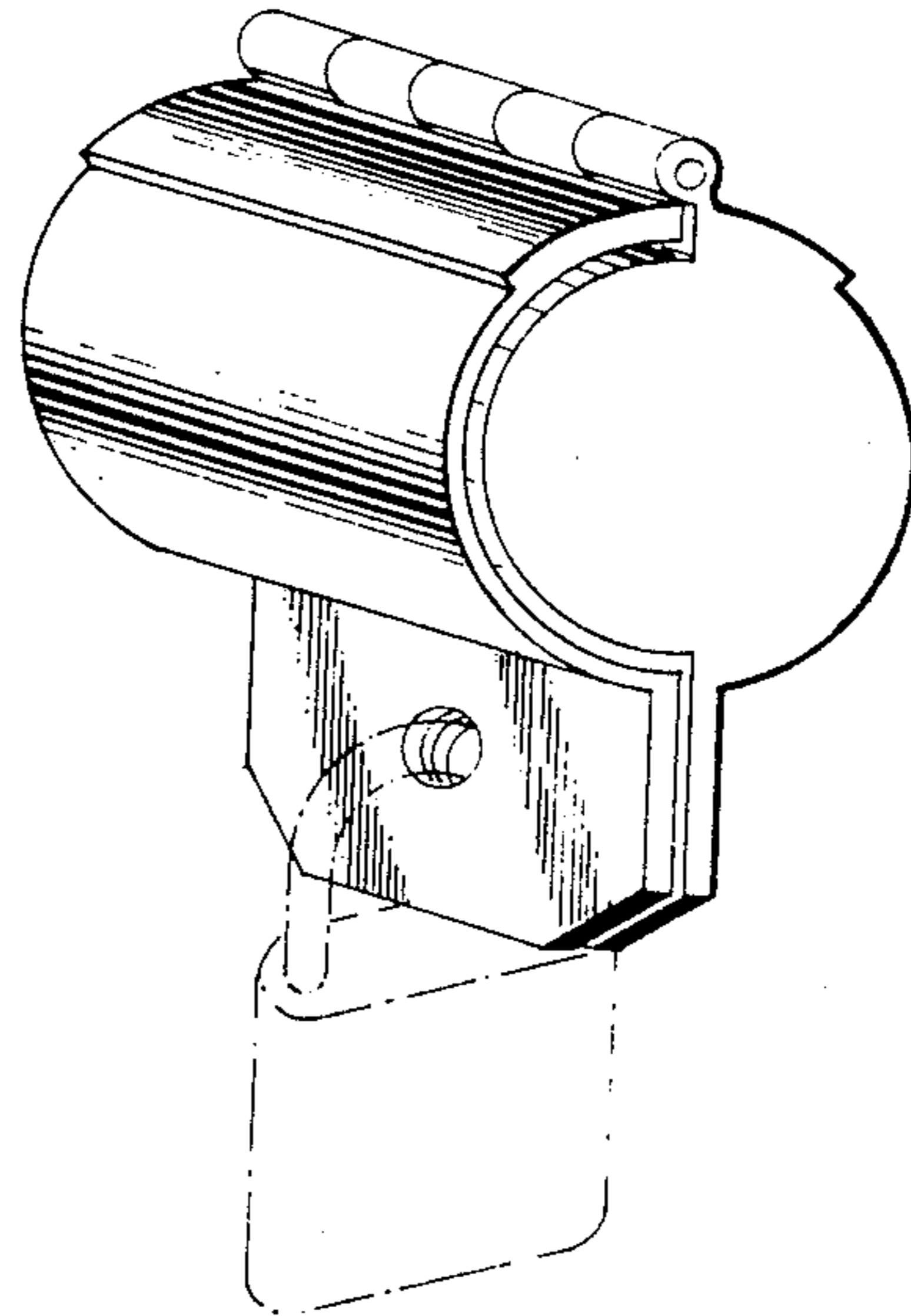
FIG. 2 is a bottom plan view thereof, in the open position and the broken lines showing a door knob are for illustrative purposes only;

FIG. 3 is a front elevational view thereof;

FIG. 4 is a side elevational view thereof, the opposite side being substantially identical.

[56] **References Cited**
U.S. PATENT DOCUMENTS

200,599	2/1878	Beachman .	
D. 211,398	6/1968	Hall	D8/322
1,439,552	12/1922	Johnson	70/428
2,458,002	1/1949	Kaskourab	70/158
2,883,850	4/1959	Falck	292/347
3,082,028	3/1963	Werler	D8/322
3,167,945	2/1965	Goodman	70/428
3,174,788	3/1965	Williams	292/347



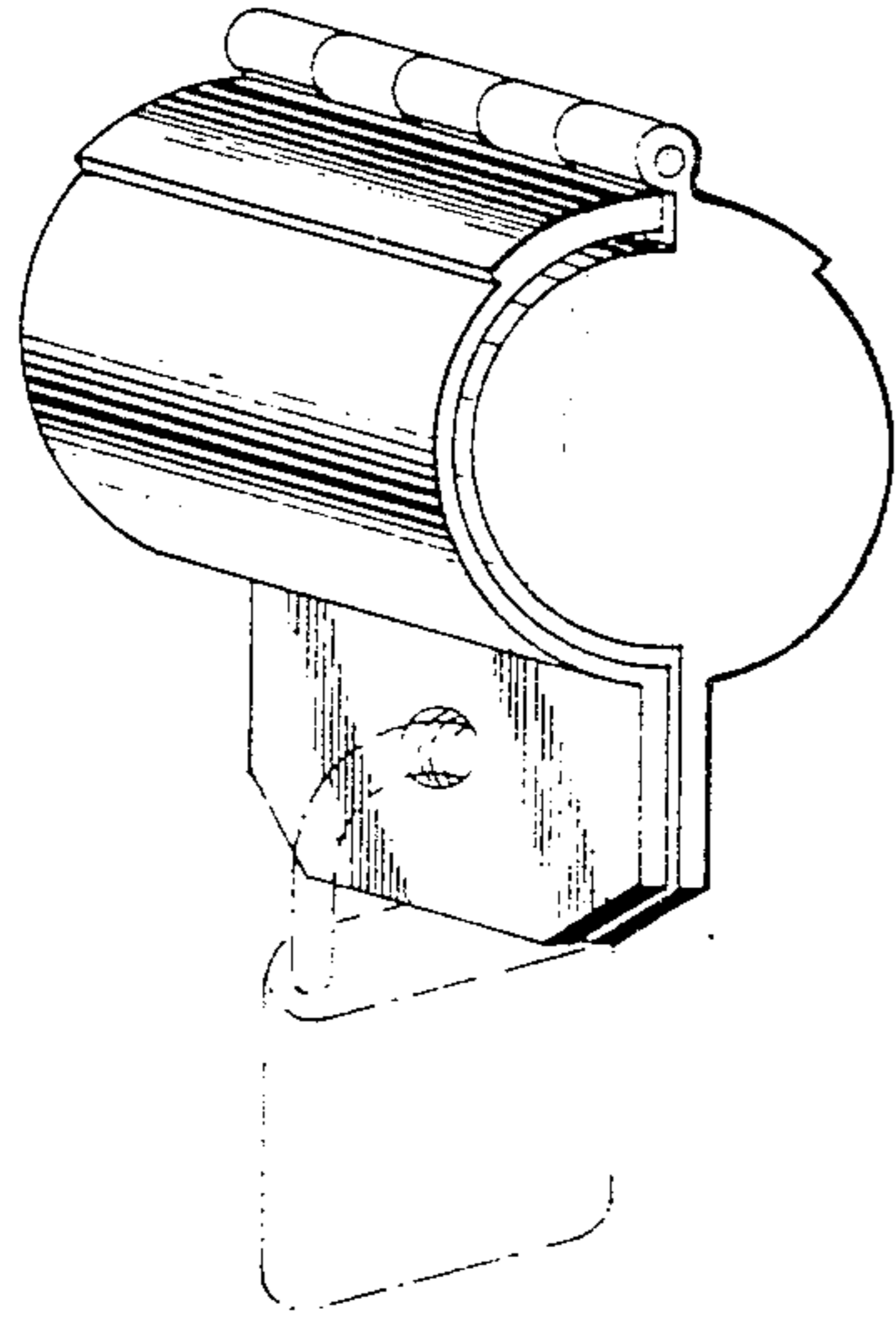


Fig. 1.

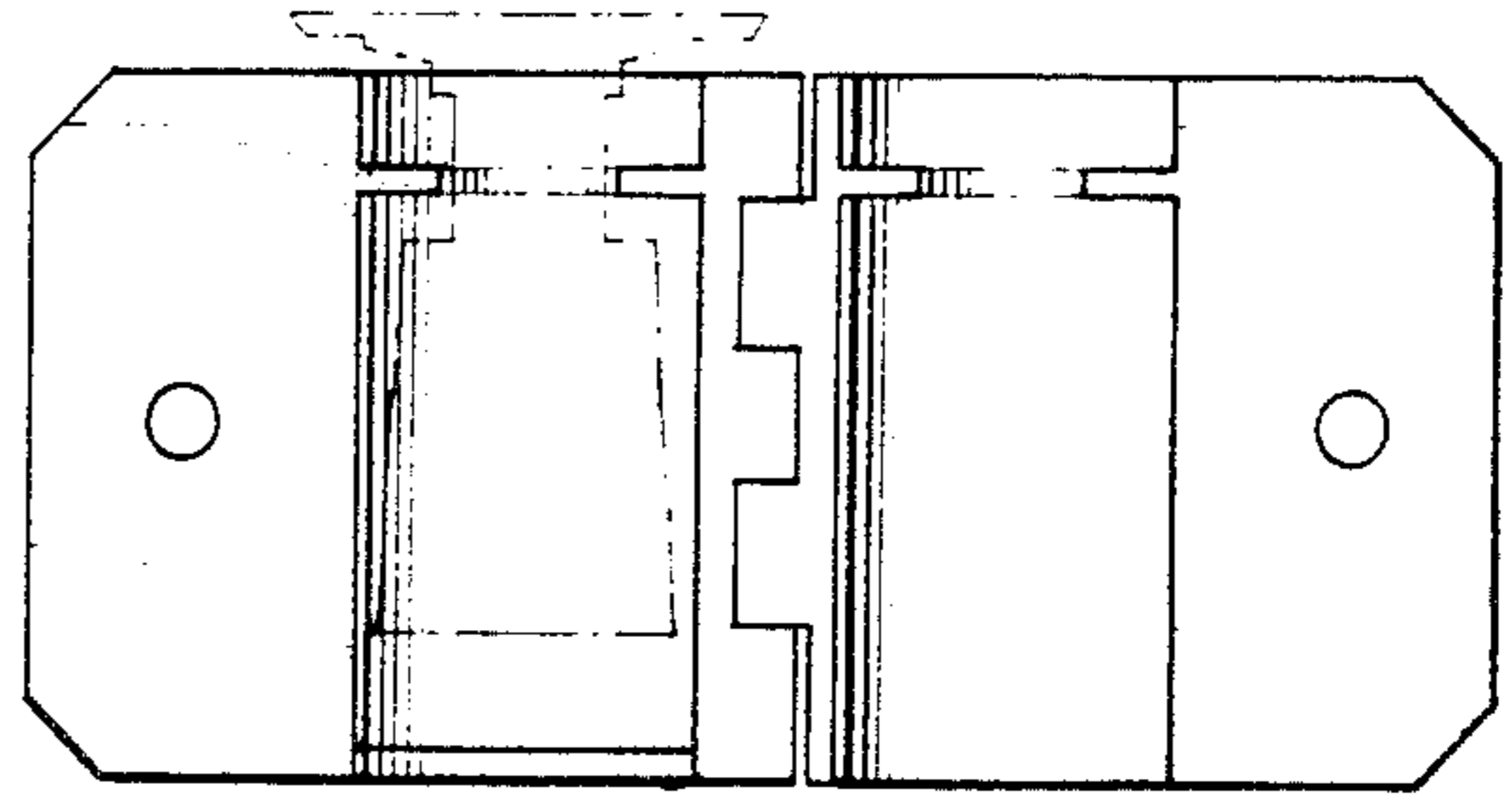


Fig. 2.

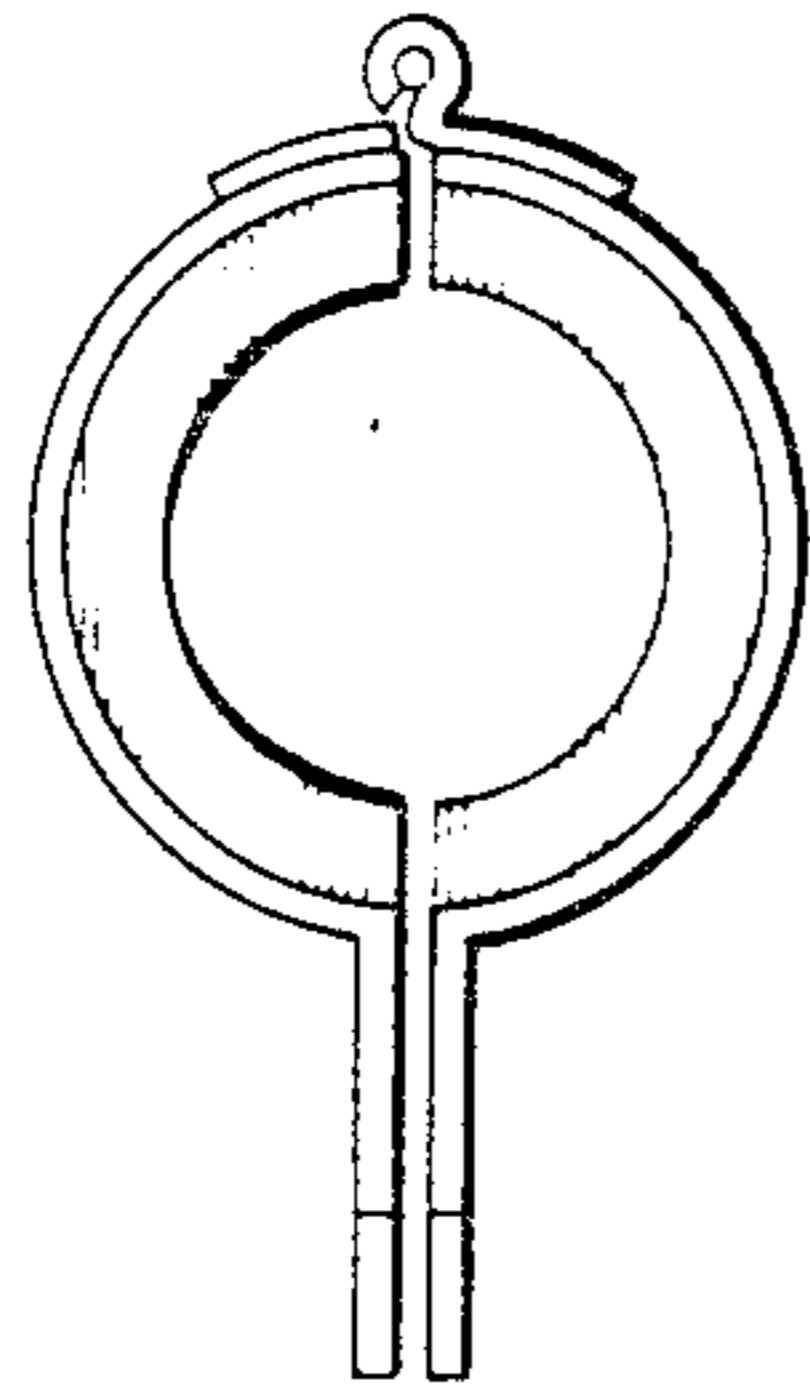


Fig. 3.

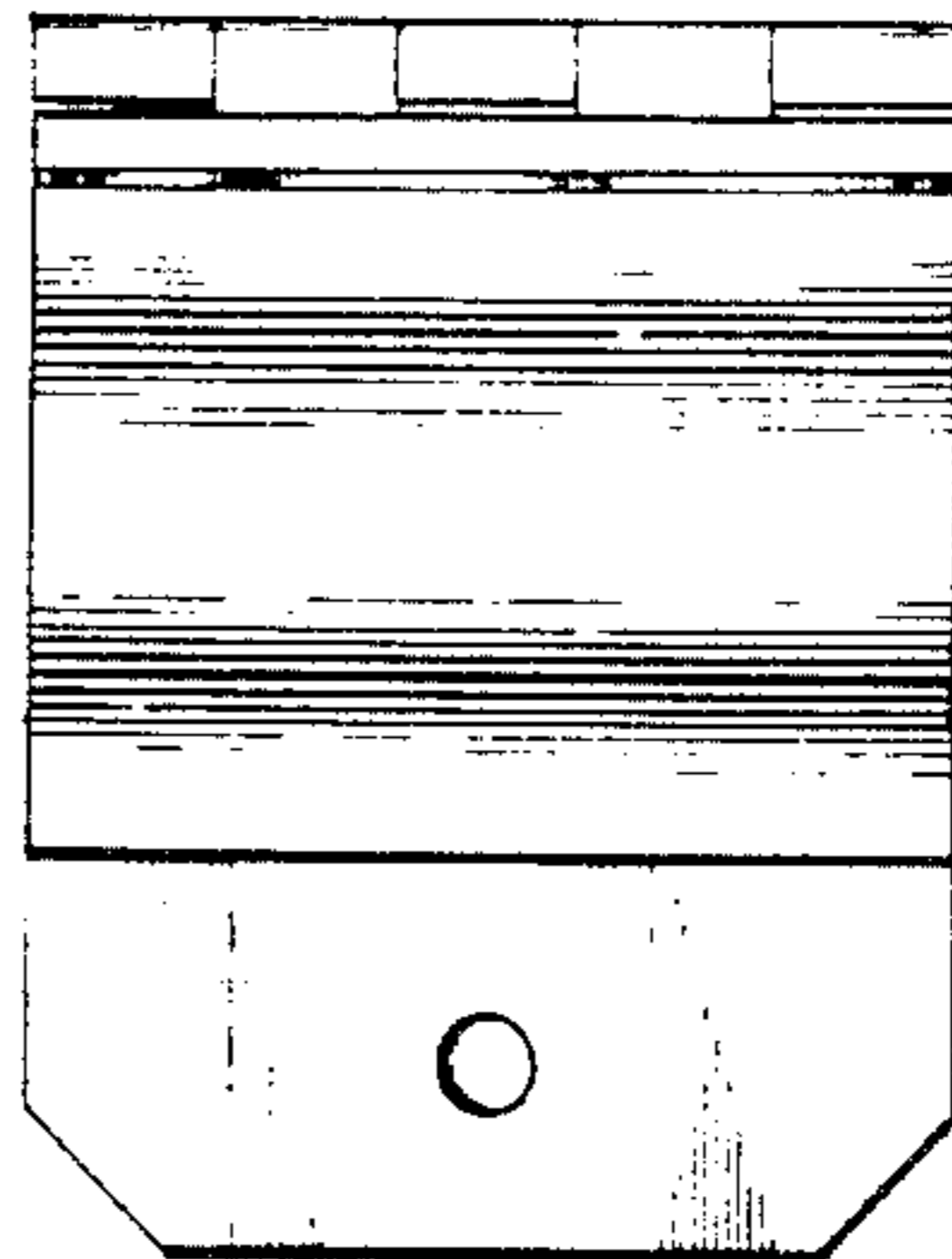


Fig. 4.