

[54] COLLAPSIBLE PLATE

[76] Inventor: Barbara J. Ransom, 8005 Lichen Dr., Citrus Heights, Calif. 95621

[**] Term: 14 Years

[21] Appl. No.: 488,093

[22] Filed: Apr. 25, 1983

[52] U.S. Cl. D7/23; D7/27; 206/551; 220/4 R; 220/8

[58] Field of Search 99/DIG. 15; 220/8, 4 R; 229/3.5 MF; D9/341; D7/27, 2, 23-25, 29-36; 206/551

[56] References Cited

U.S. PATENT DOCUMENTS

D. 32,949	7/1900	Wirsing	D7/35
982,065	1/1911	Huddleson	D7/27 X
1,668,101	5/1928	Bothe	D7/23 X
2,388,442	11/1945	Reyburn	206/551
2,522,397	9/1950	Palmer	99/DIG. 15 X
3,384,260	5/1968	Buffington	D7/27 X

3,580,484	5/1971	Schneider	229/3.5 MF X
3,636,299	1/1972	Stewart, Jr.	D7/2 X

FOREIGN PATENT DOCUMENTS

630351 5/1936 Fed. Rep. of Germany 220/4 R

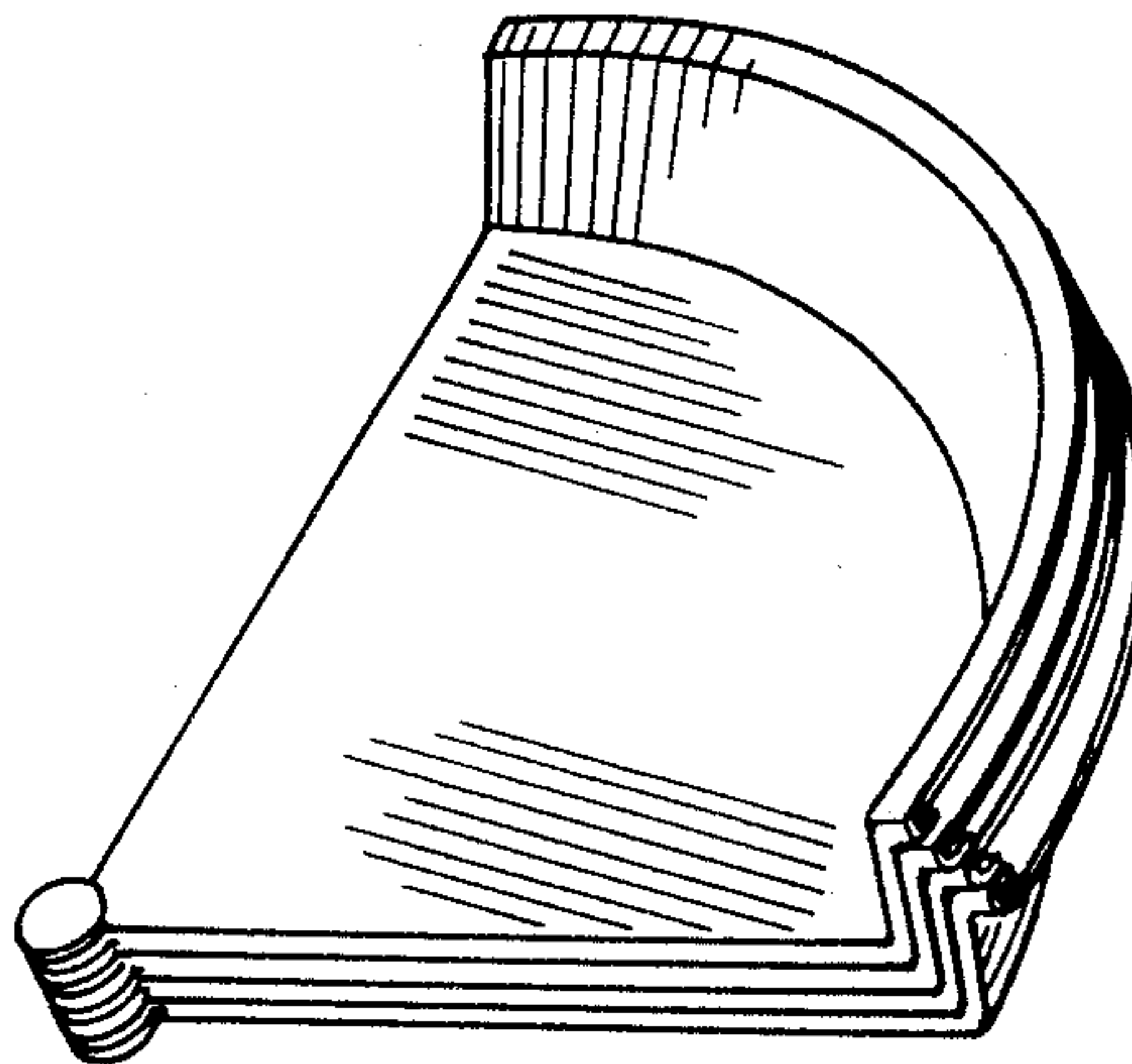
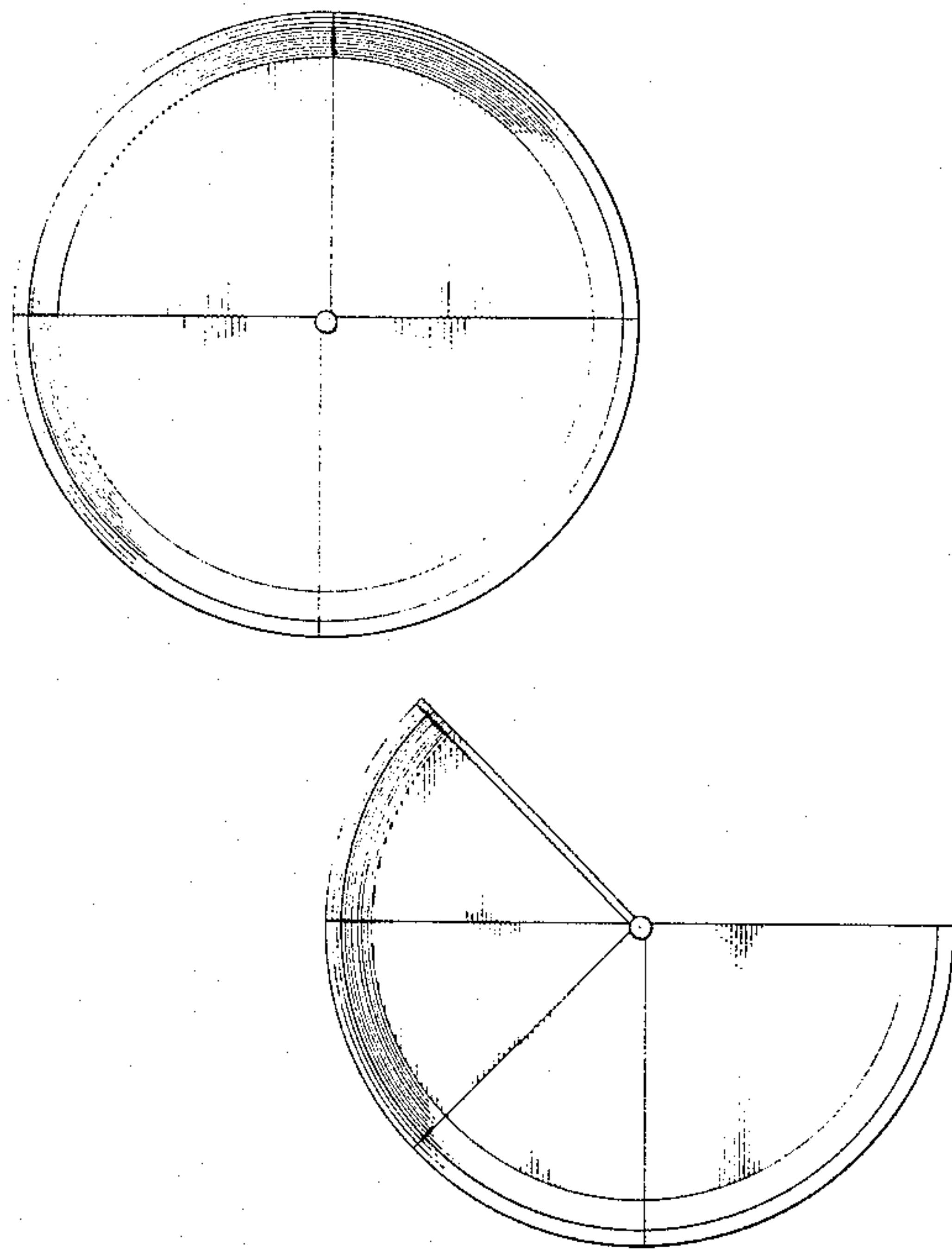
Primary Examiner—Winifred E. Herrmann
Attorney, Agent, or Firm—Mark C. Jacobs

[57] CLAIM

The ornamental design for a collapsible plate, substantially as shown and described.

DESCRIPTION

FIG. 1 is a top plan view of a collapsible plate showing my new design;
FIG. 2 is a top plan view thereof in a partially collapsed condition;
FIG. 3 is a side elevational view thereof;
FIG. 4 is a top perspective view thereof in a fully collapsed condition;
FIG. 5 is an elevational view thereof as seen from the right of FIG. 4; and
FIG. 6 is a bottom plan view thereof.



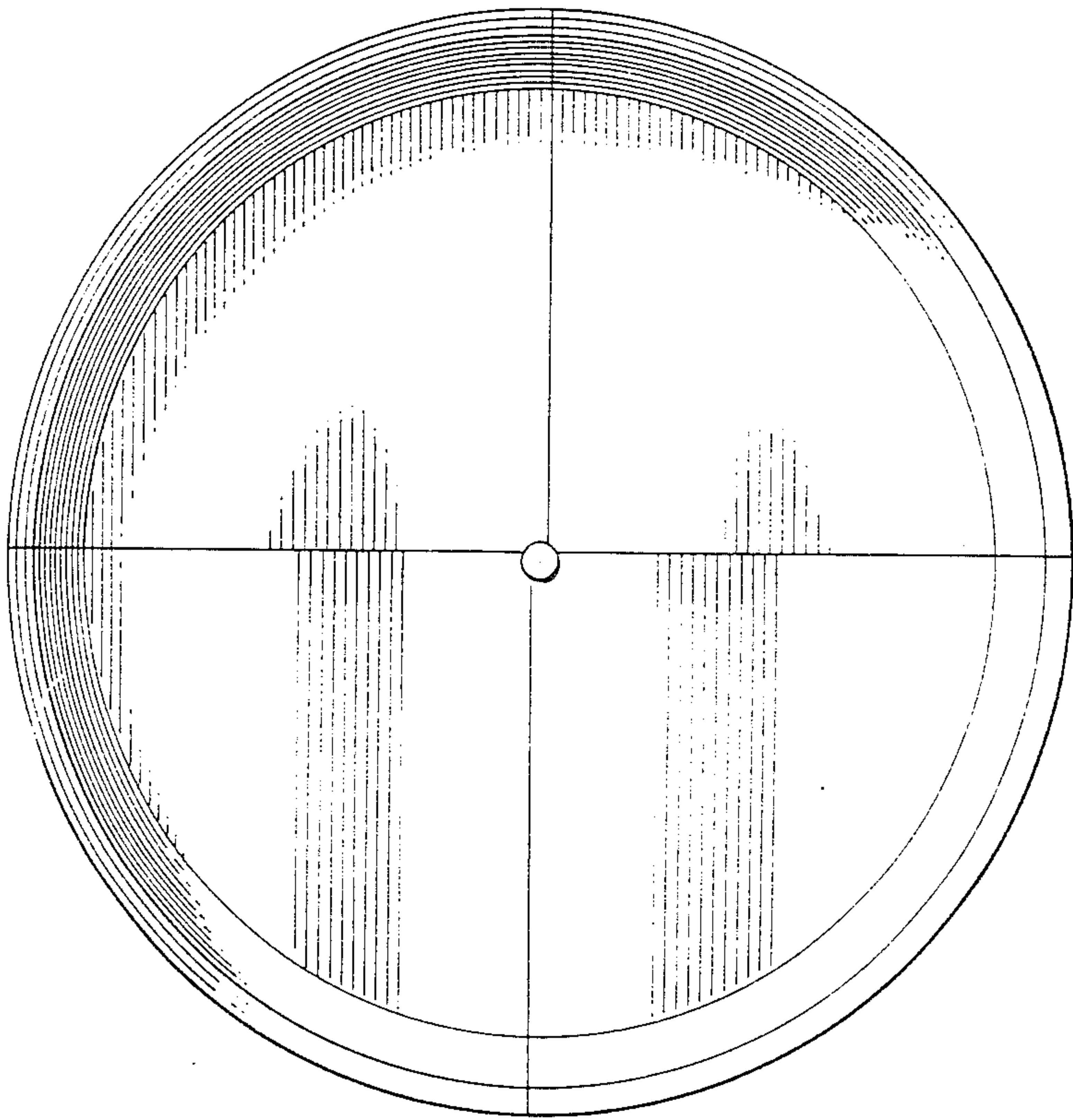


FIG. 1

FIG. 2

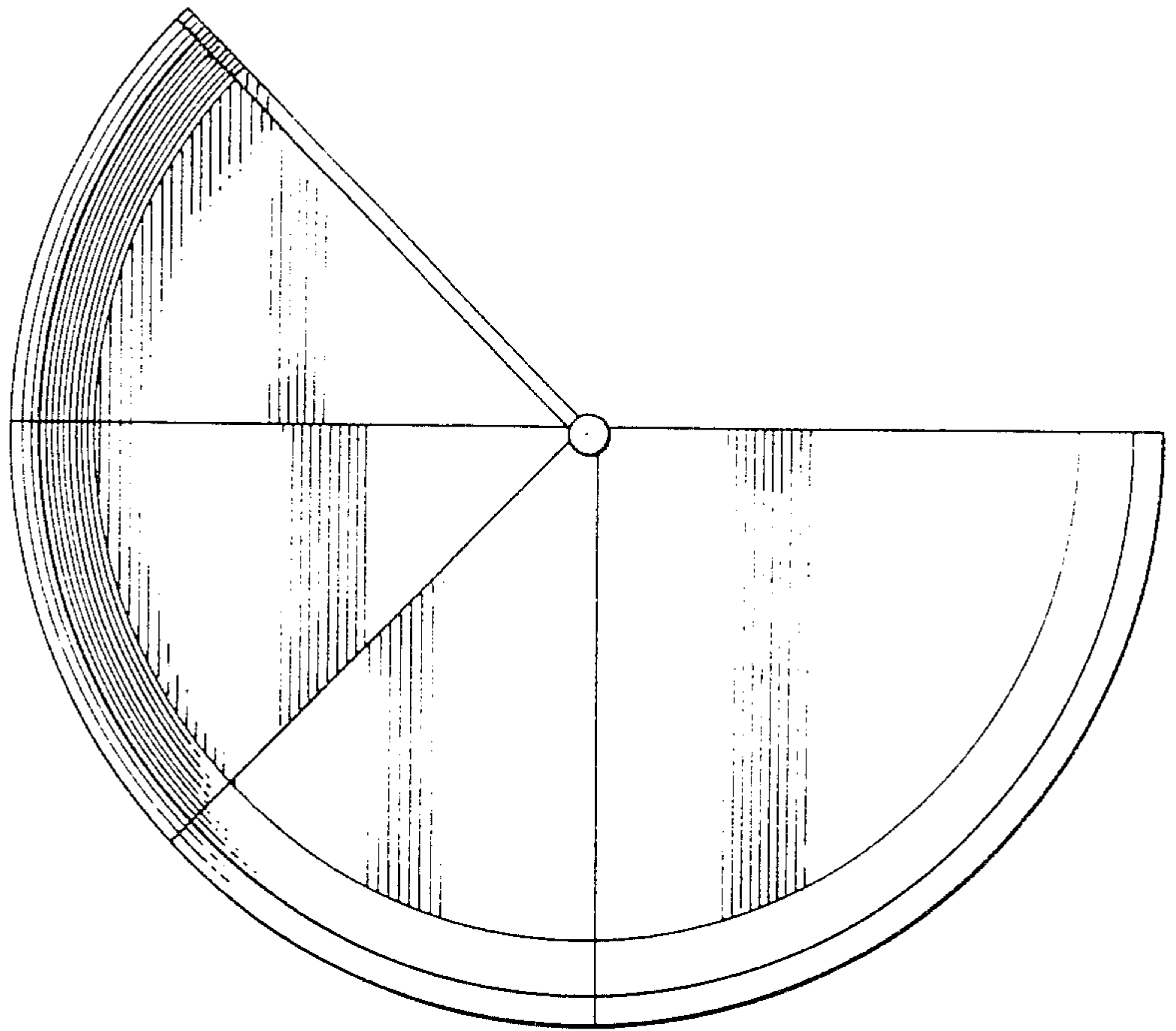




FIG. 3

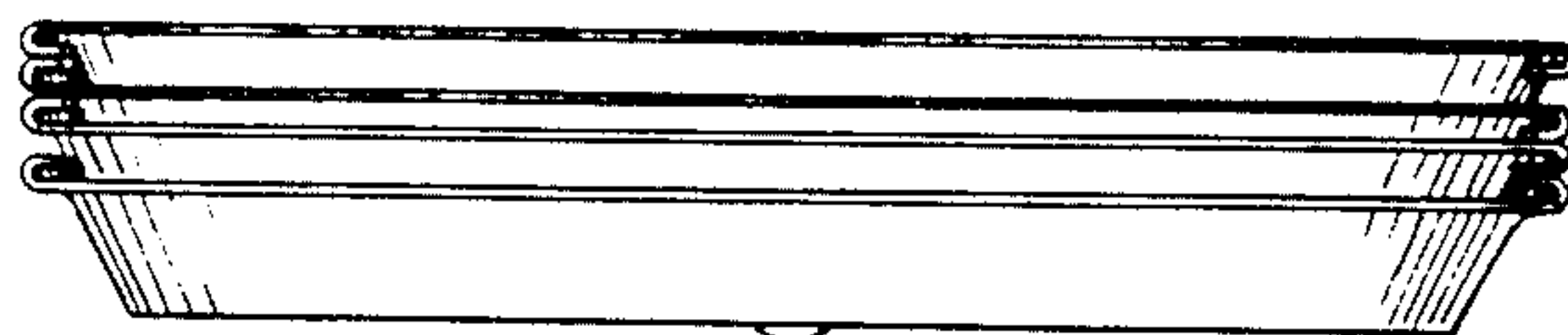
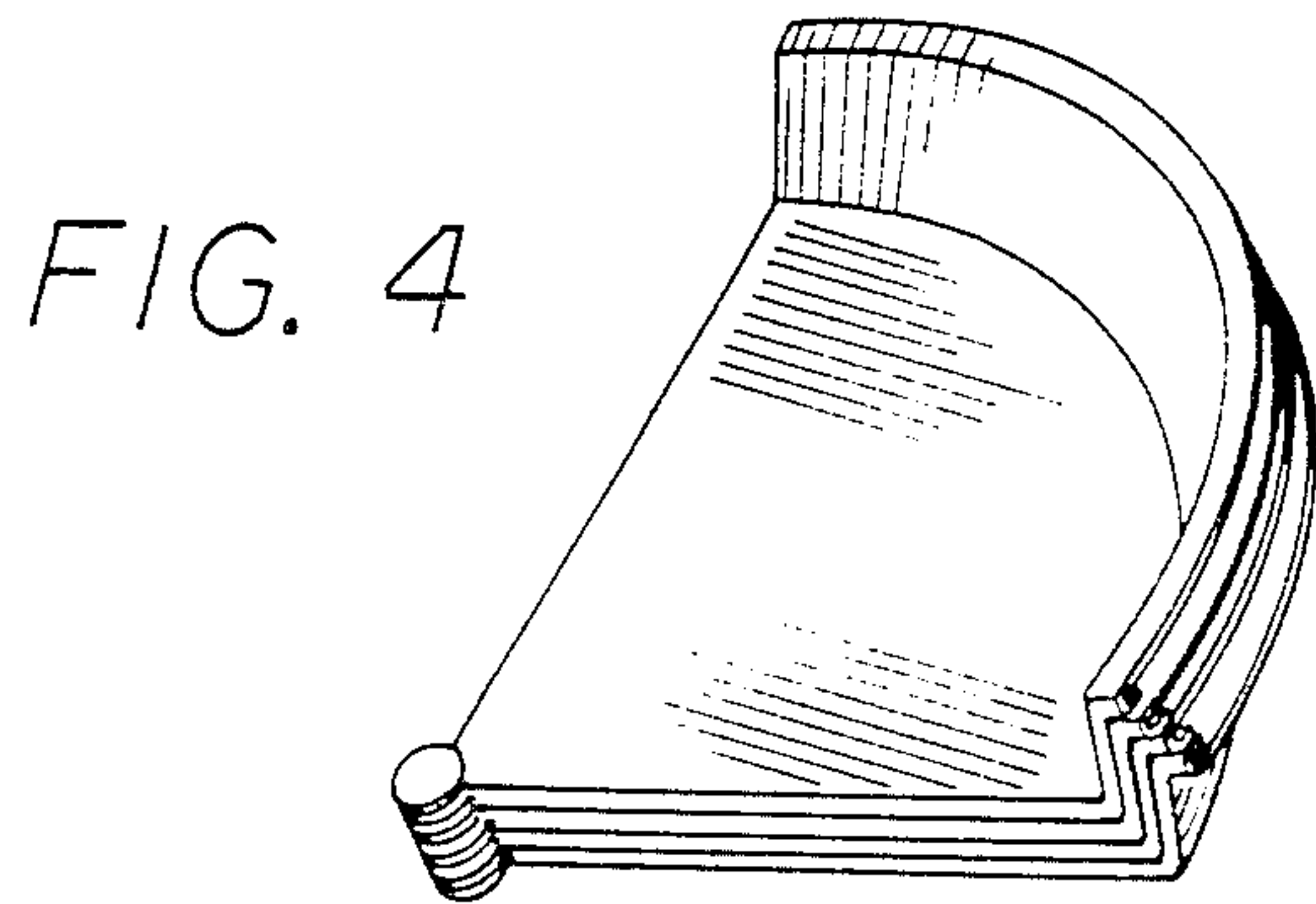


FIG. 5

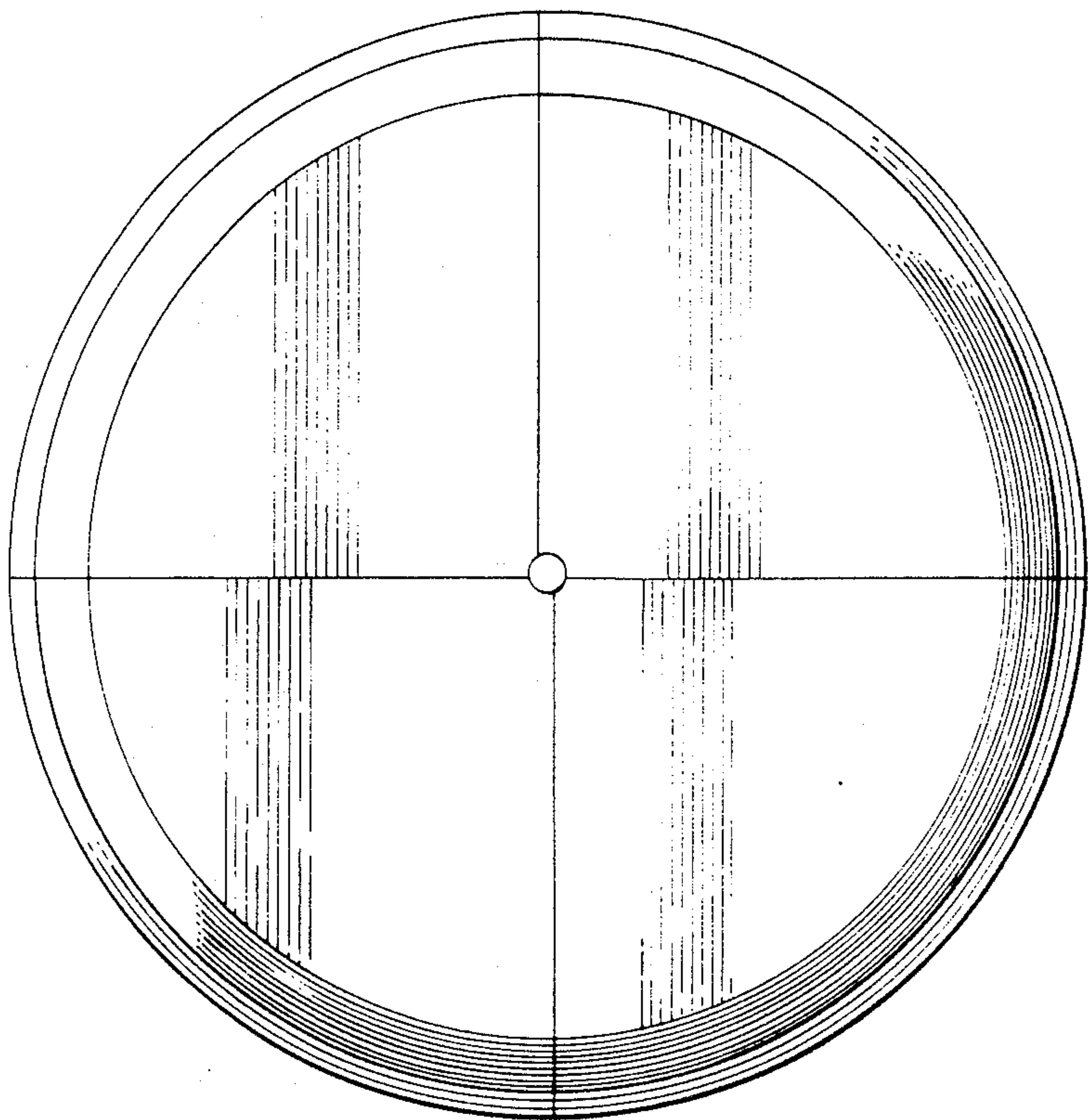


FIG. 6