

[54] BAG HOLDER OR THE LIKE

[75] Inventor: Randolph D. Prader, Fairport, N.Y.

[73] Assignee: Mobil Oil Corporation, New York, N.Y.

[*] Notice: The portion of the term of this patent subsequent to Oct. 25, 2000 has been disclaimed.

[**] Term: 14 Years

[21] Appl. No.: 480,193

[22] Filed: Mar. 30, 1983

Related U.S. Application Data

[63] Continuation-in-part of Ser. No. 259,220, Apr. 30, 1981, Pat. No. Des. 271,067.

[52] U.S. Cl. D6/566; D34/6

[58] Field of Search D34/516; D6/556, 552, D6/553, 566, 462; 248/99, 100, 101; 211/181; 53/390

[56] References Cited

U.S. PATENT DOCUMENTS

D. 264,653	6/1982	Adamson	D34/6
D. 264,905	6/1982	Adamson	D6/566
D. 271,067	10/1983	Prader	D6/566
D. 273,159	3/1984	Adamson et al.	D34/6
4,398,689	8/1983	Prader	248/99

Primary Examiner—James M. Gandy
Attorney, Agent, or Firm—Alexander J. McKillop;
Michael G. Gilman; Charles J. Speciale

[57] CLAIM

The ornamental design for a bag holder or the like, as shown and described.

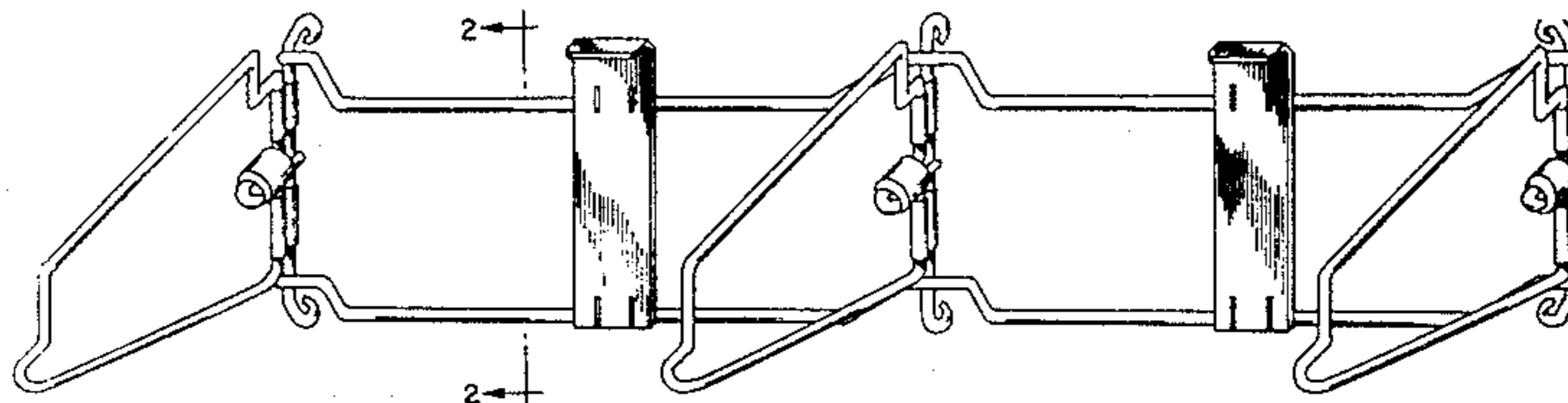
DESCRIPTION

FIG. 1 is a perspective view of a bag holder or the like showing my new design;

FIG. 2 is an enlarged vertical cross-section view taken along line 2—2 in FIG. 1 showing one end thereof;

FIG. 3 is a top plan view thereof; and

FIG. 4 is a greatly enlarged fragmentary cross-section view of one of the hinge portions thereof.



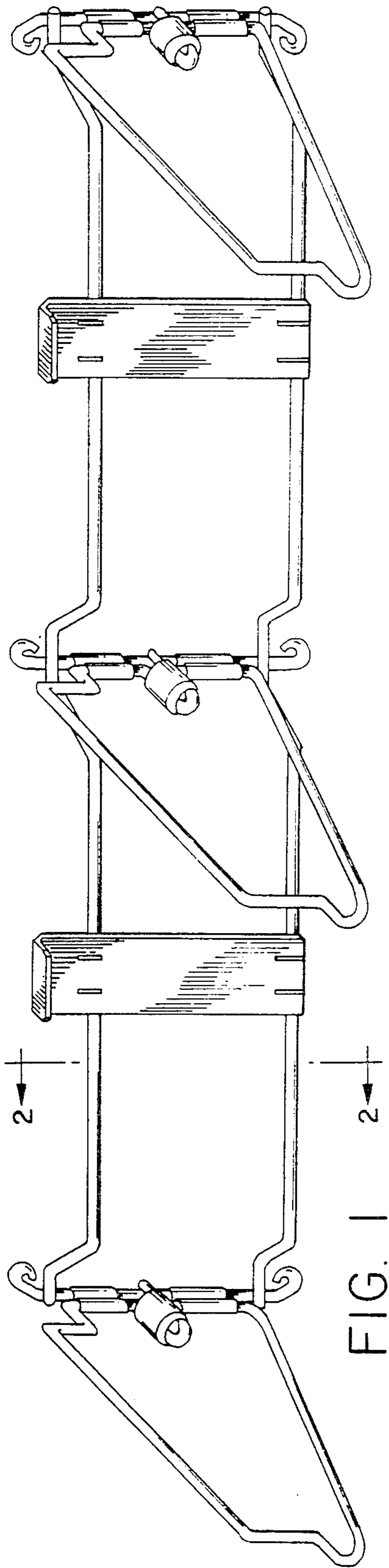


FIG. 1

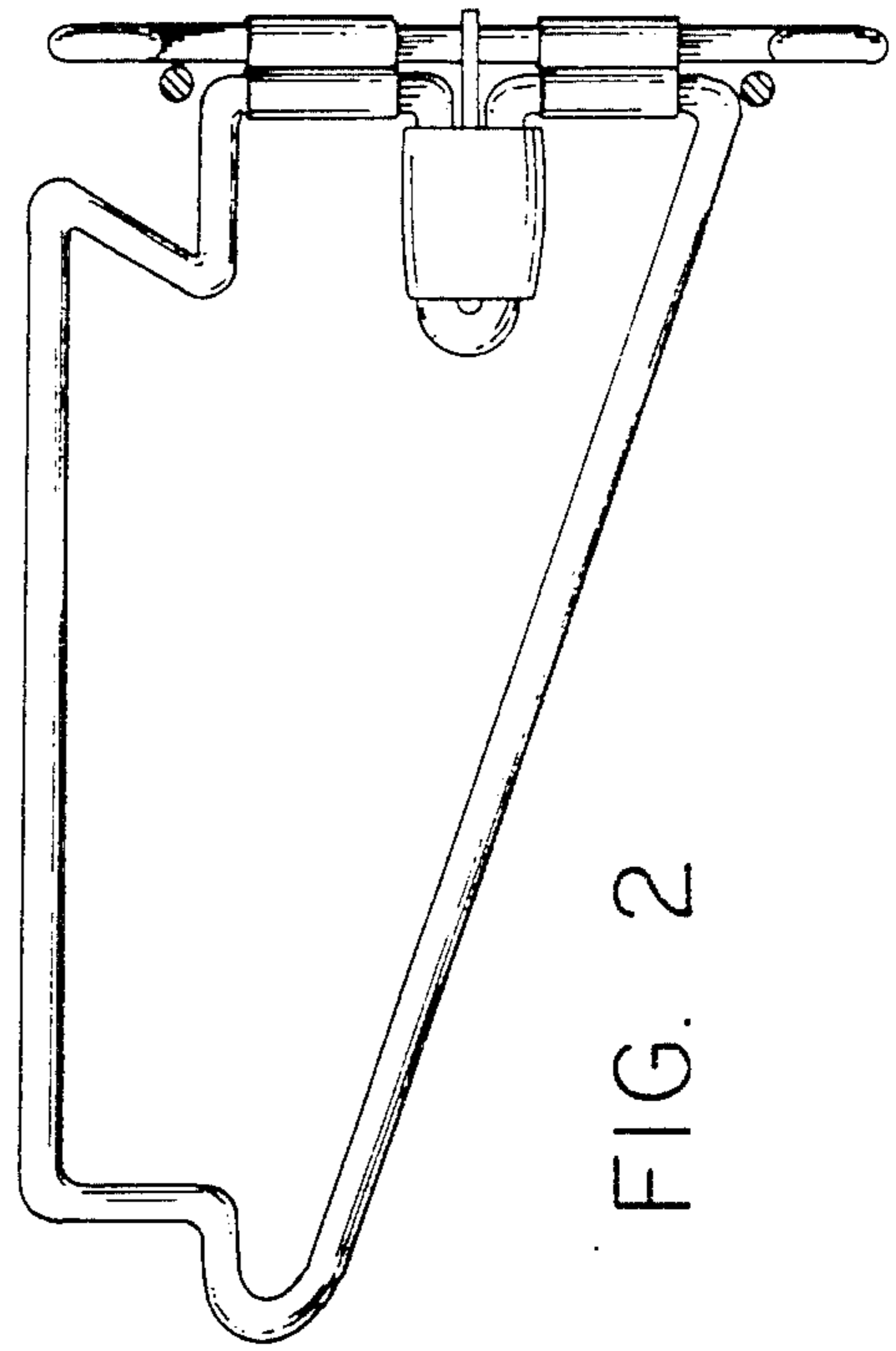


FIG. 2

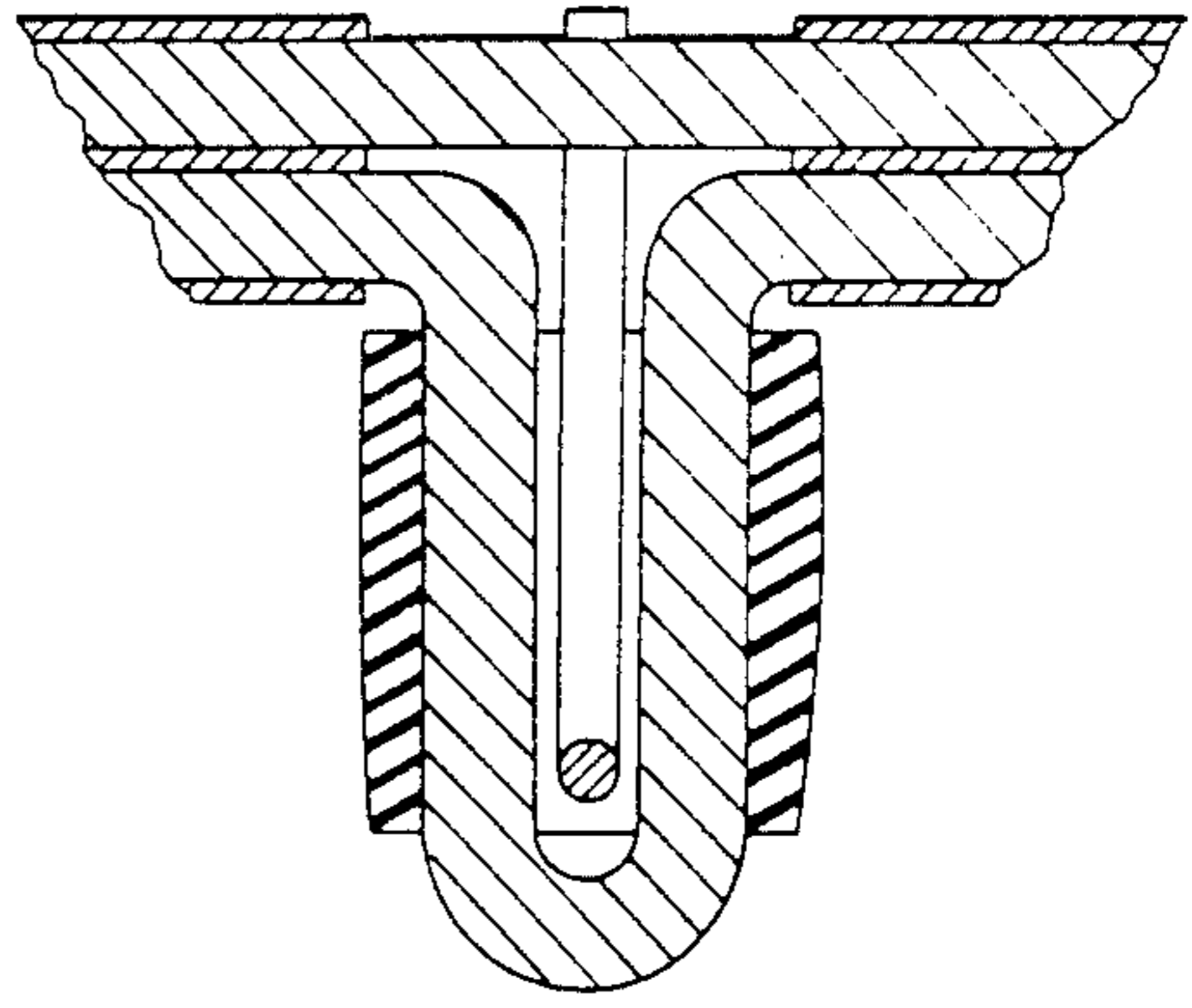


FIG. 4

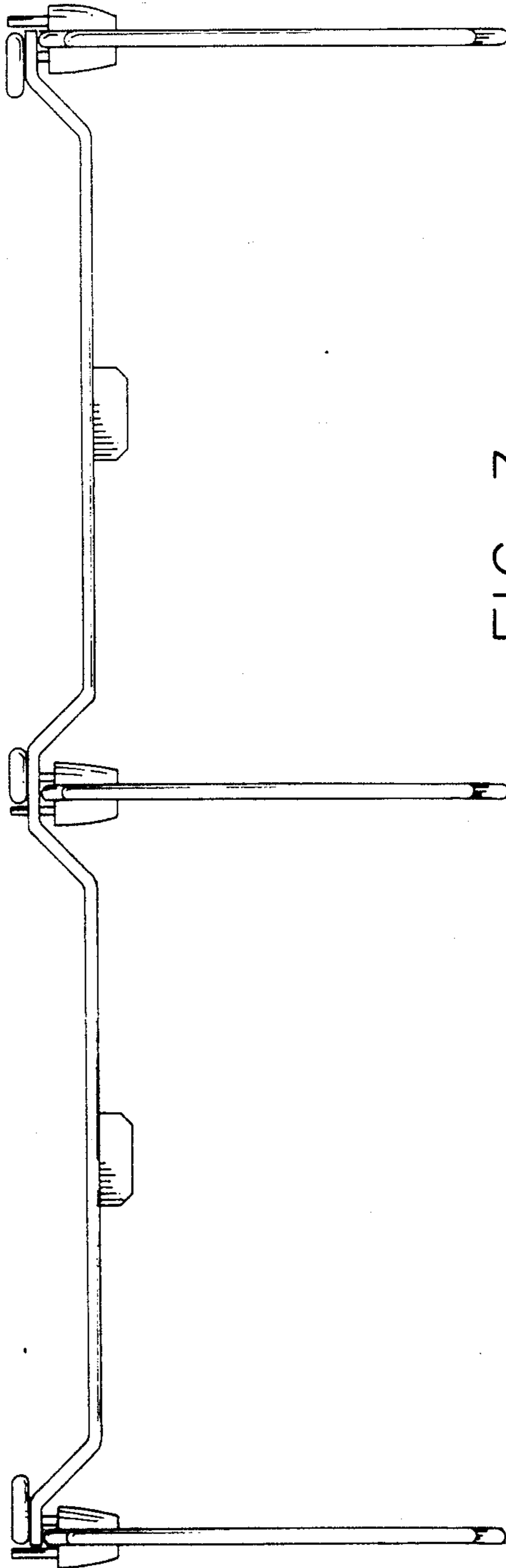


FIG. 3